



US00D729877S

(12) **United States Design Patent**  
**Cunningham et al.**

(10) **Patent No.:** **US D729,877 S**

(45) **Date of Patent:** **\*\* May 19, 2015**

(54) **SPORTS TARGET**

(71) Applicants: **Jocelyn Wainwright Cunningham**, San Antonio, TX (US); **Jeffery Ricardo Cunningham**, San Antonio, TX (US)

(72) Inventors: **Jocelyn Wainwright Cunningham**, San Antonio, TX (US); **Jeffery Ricardo Cunningham**, San Antonio, TX (US)

(\*\*) Term: **14 Years**

(21) Appl. No.: **29/484,426**

(22) Filed: **Mar. 10, 2014**

(51) **LOC (10) Cl.** ..... **21-01**

(52) **U.S. Cl.**  
USPC ..... **D21/303**

(58) **Field of Classification Search**  
CPC ..... A63B 63/00; A63B 67/00; A63B 71/00  
USPC ..... D21/300, 302, 303, 318, 334; 273/317,  
273/331, 336, 398, 400, 402, 407, 408, 410,  
273/118 R, 123 R, 236, 348, 386, 287;  
473/569, 578, 592

See application file for complete search history.

(56) **References Cited**

**U.S. PATENT DOCUMENTS**

2,048,155	A *	7/1936	Armantrout	.....	273/407
2,932,516	A *	4/1960	Penner	.....	273/402
3,355,174	A *	11/1967	Hutson	.....	273/408
3,399,889	A *	9/1968	Harry	.....	473/481
3,415,519	A *	12/1968	Hand	.....	273/407

D333,683	S *	3/1993	Trachet	.....	D21/302
5,330,199	A *	7/1994	Vand	.....	273/400
D373,147	S *	8/1996	Varga	.....	D21/303
D438,910	S *	3/2001	Culberson	.....	D21/303
D600,278	S *	9/2009	Hattori	.....	D18/56

\* cited by examiner

*Primary Examiner* — Prabhakar Deshmukh

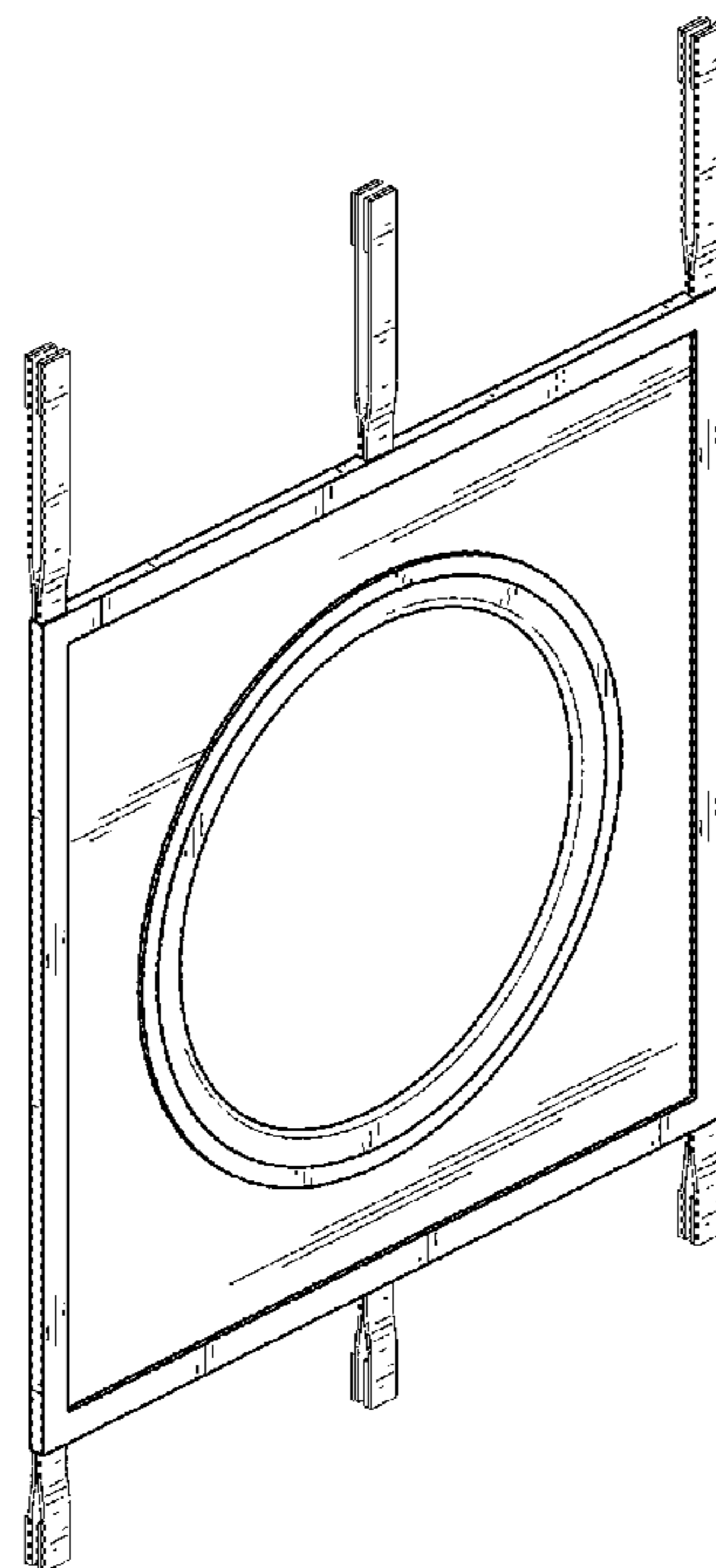
(57) **CLAIM**

The ornamental design for a sports target, as shown and described.

**DESCRIPTION**

FIG. 1 is a perspective view of a sports target showing our new design;  
 FIG. 2 is a front elevation thereof;  
 FIG. 3 is a rear elevation thereof;  
 FIG. 4 is a left side elevation thereof; the right side elevation being a mirror image thereof;  
 FIG. 5 is a top plan view thereof; the bottom plan view being a mirror image thereof;  
 FIG. 6 is a perspective view of a second embodiment of a sports target;  
 FIG. 7 is a front elevation of FIG. 6;  
 FIG. 8 is a rear elevation of FIG. 5;  
 FIG. 9 is a left side elevation of FIG. 6; the right side elevation being a mirror image thereof; and,  
 FIG. 10 is a top plan view of FIG. 5; the bottom plan view being a mirror image thereof.

**1 Claim, 4 Drawing Sheets**



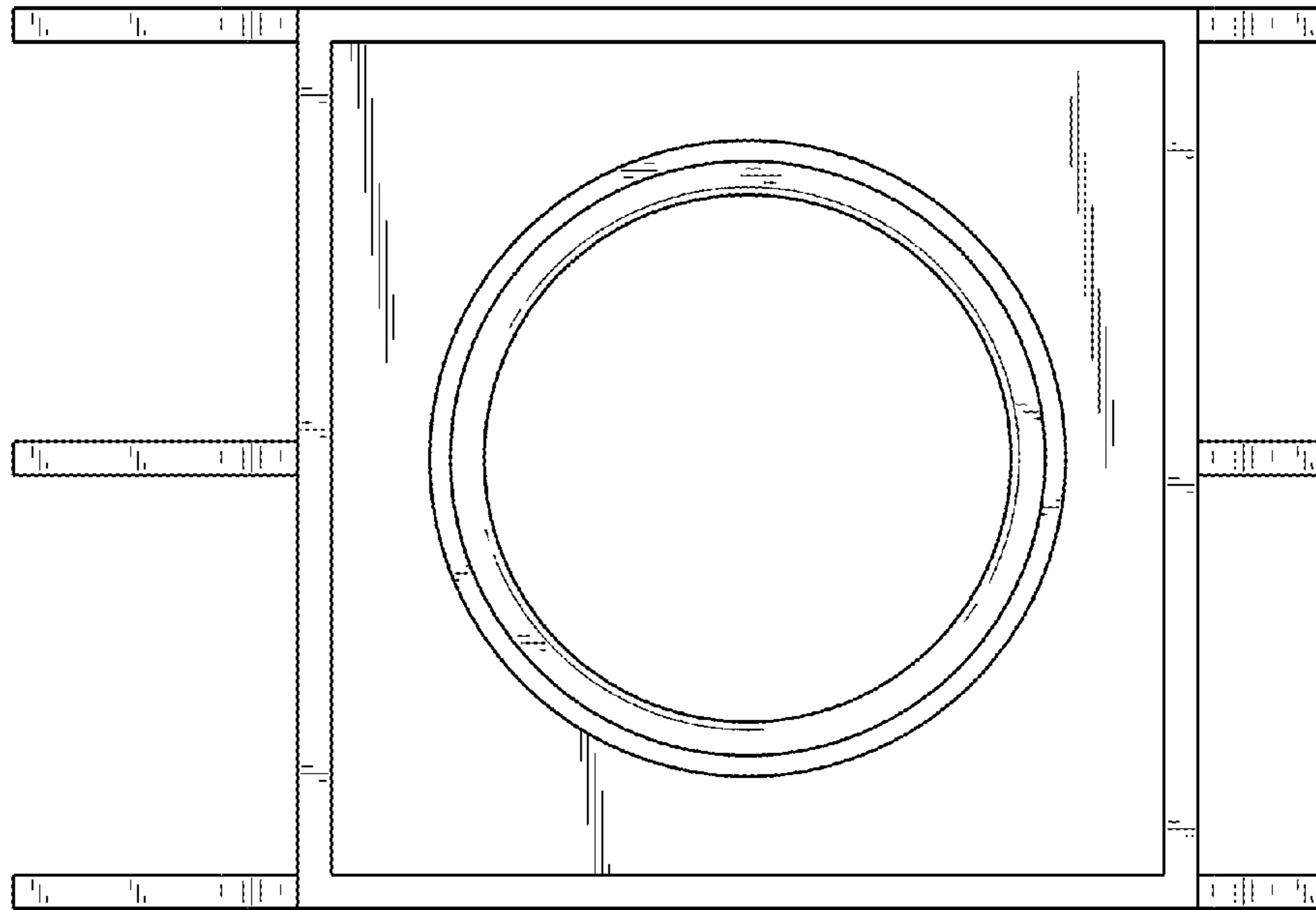


FIG. 2

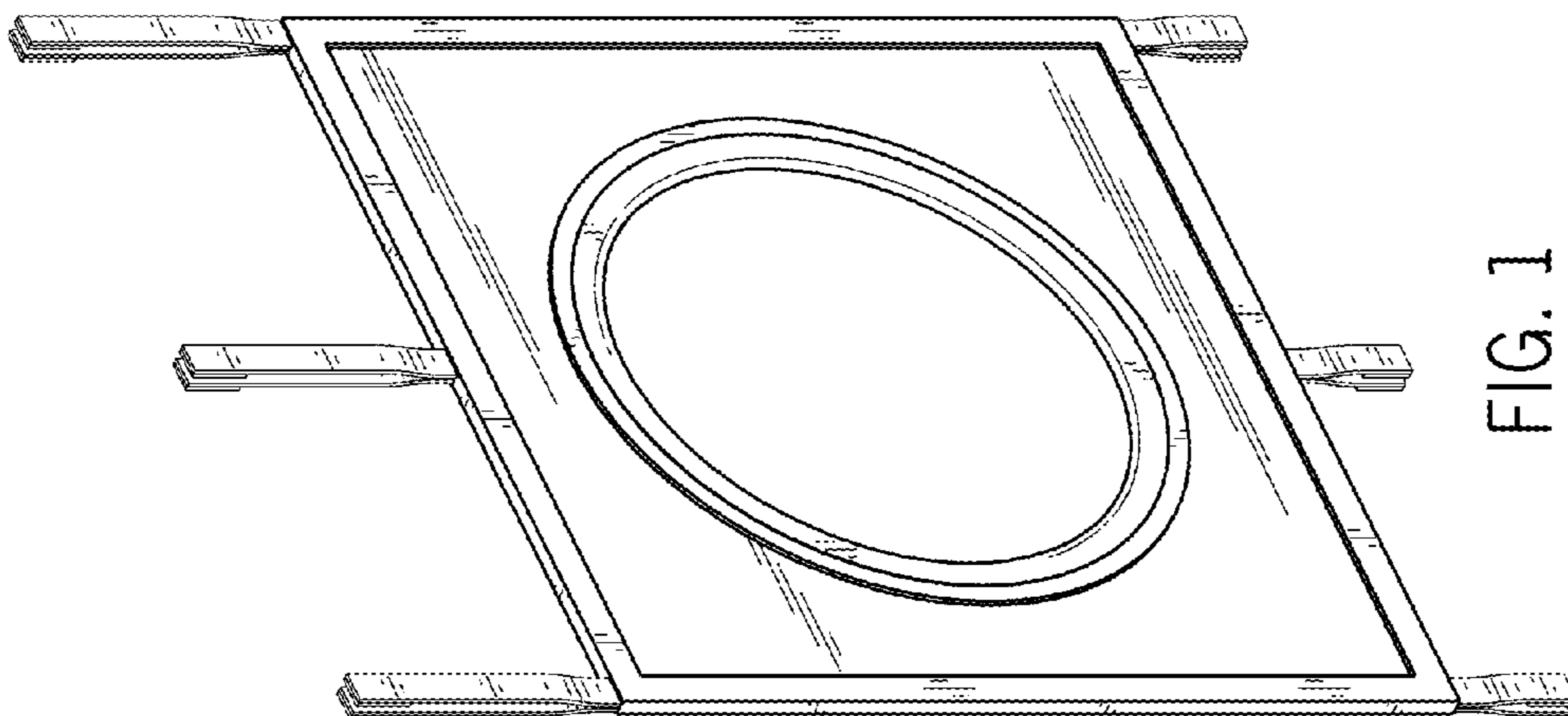


FIG. 1

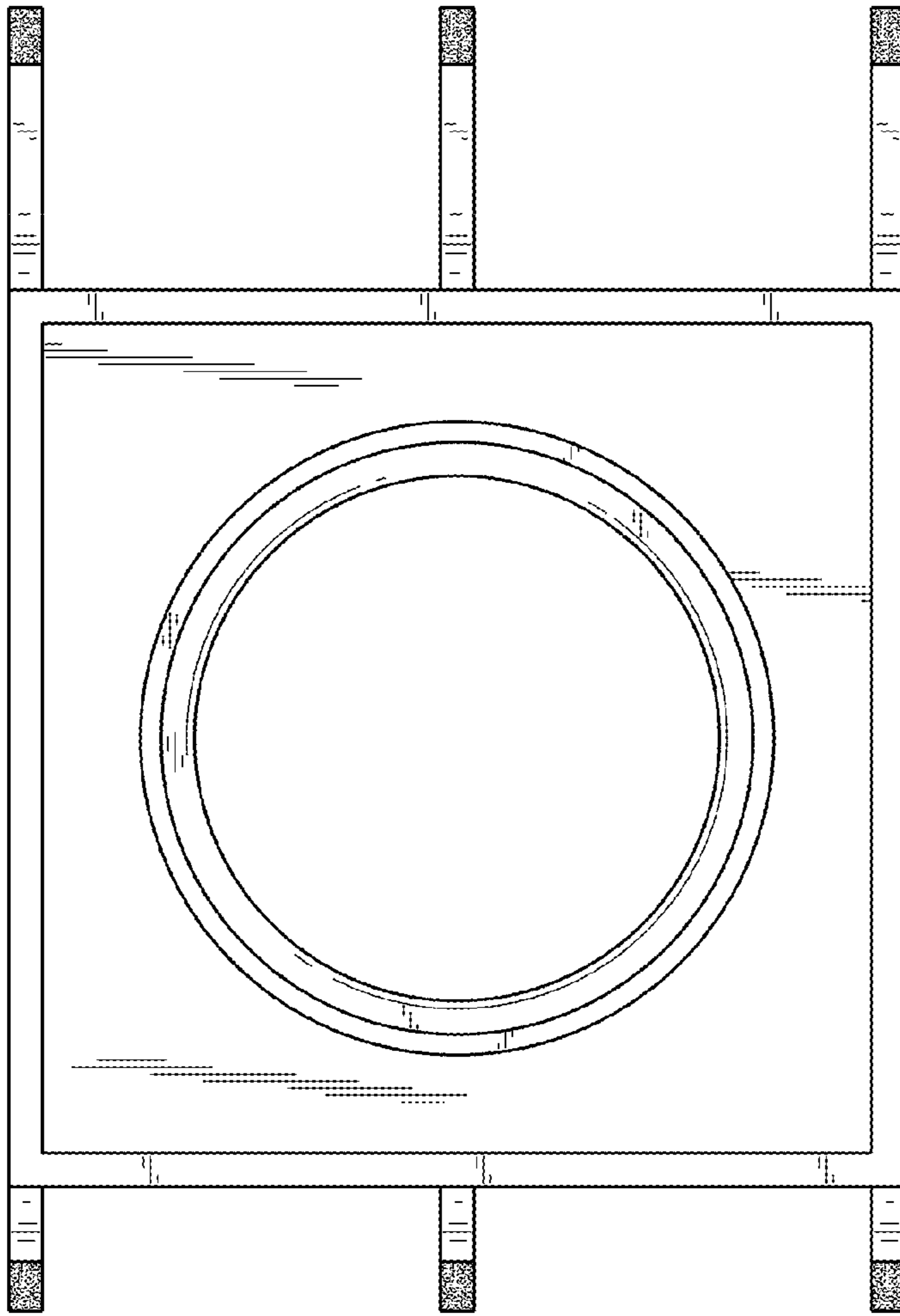


FIG. 3



FIG. 4



FIG. 5

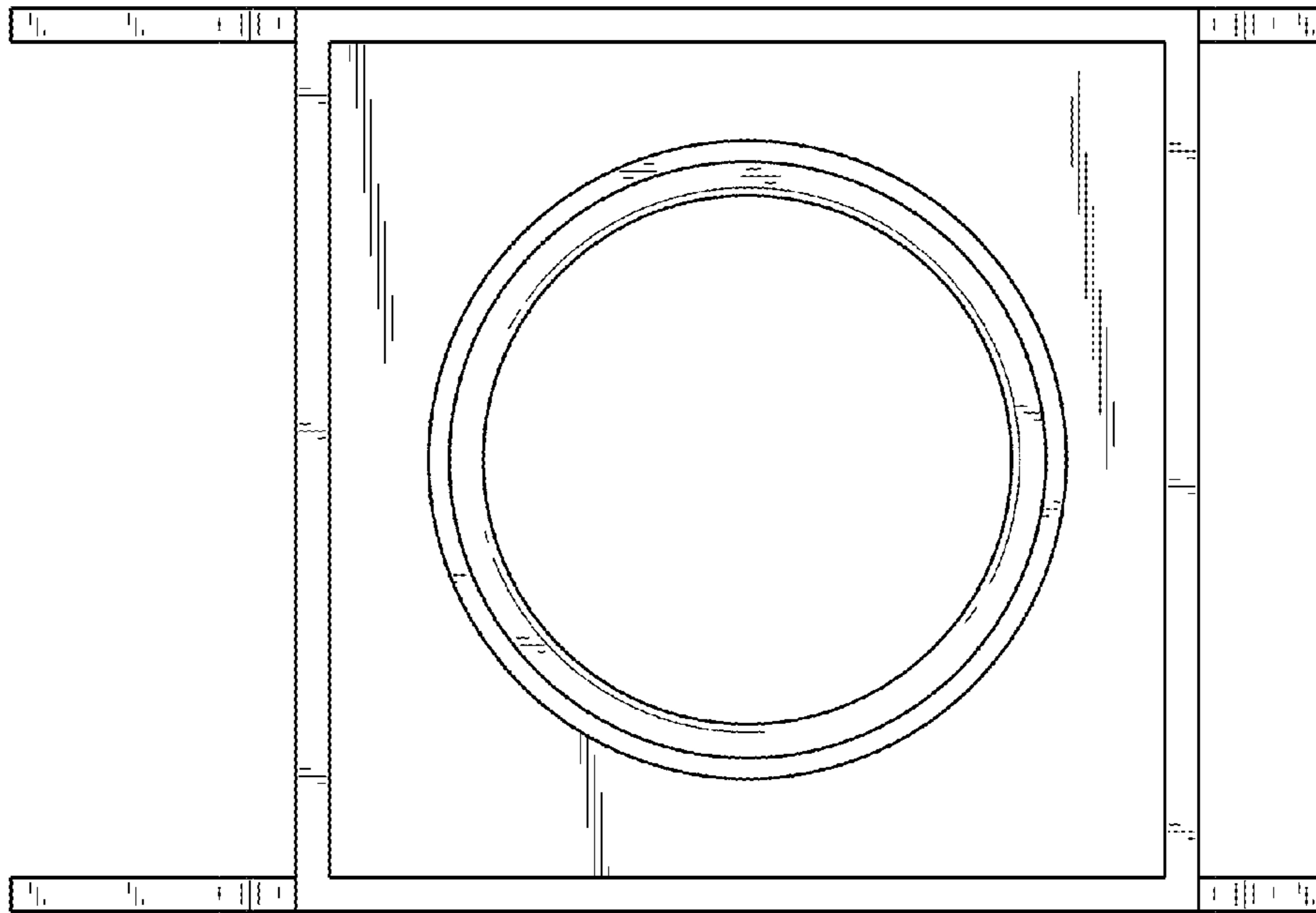


FIG. 7

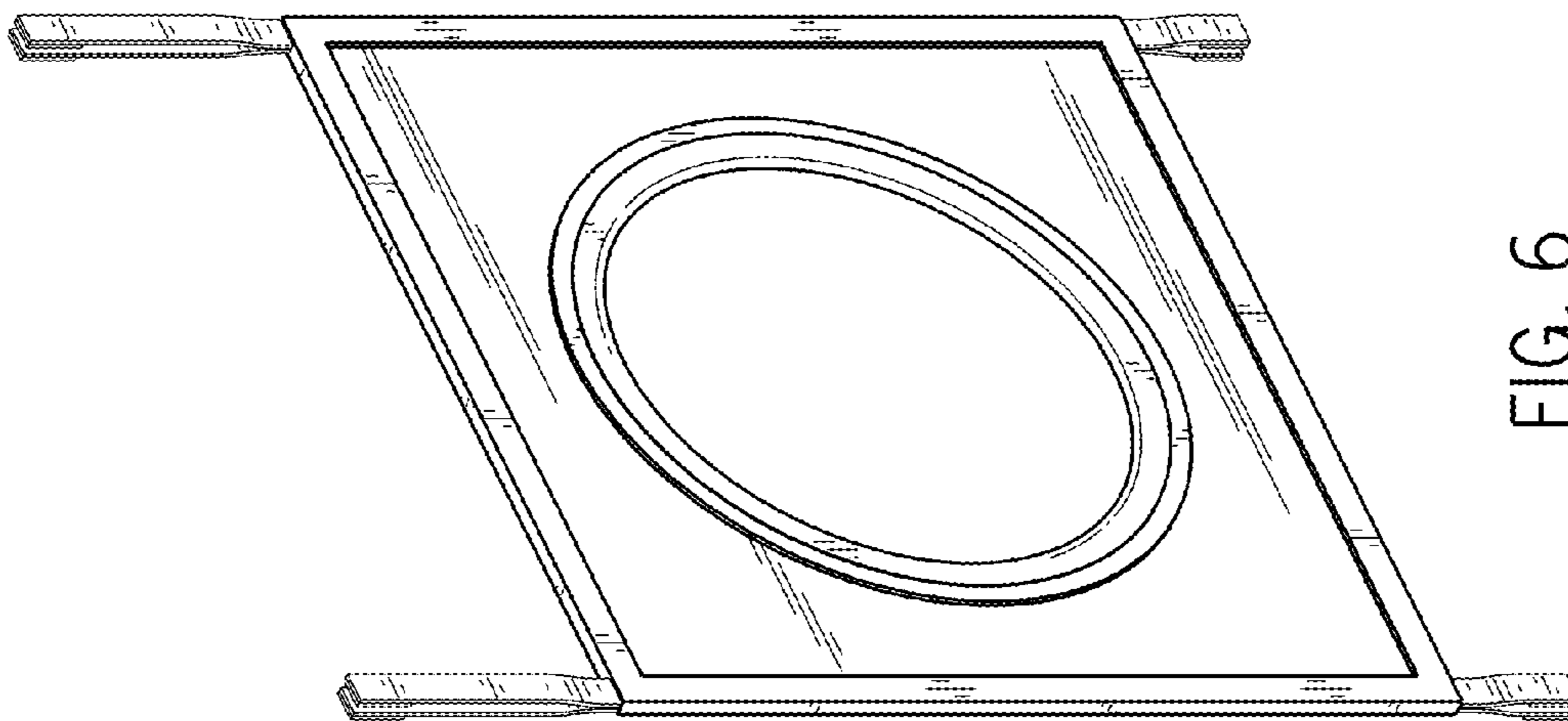


FIG. 6

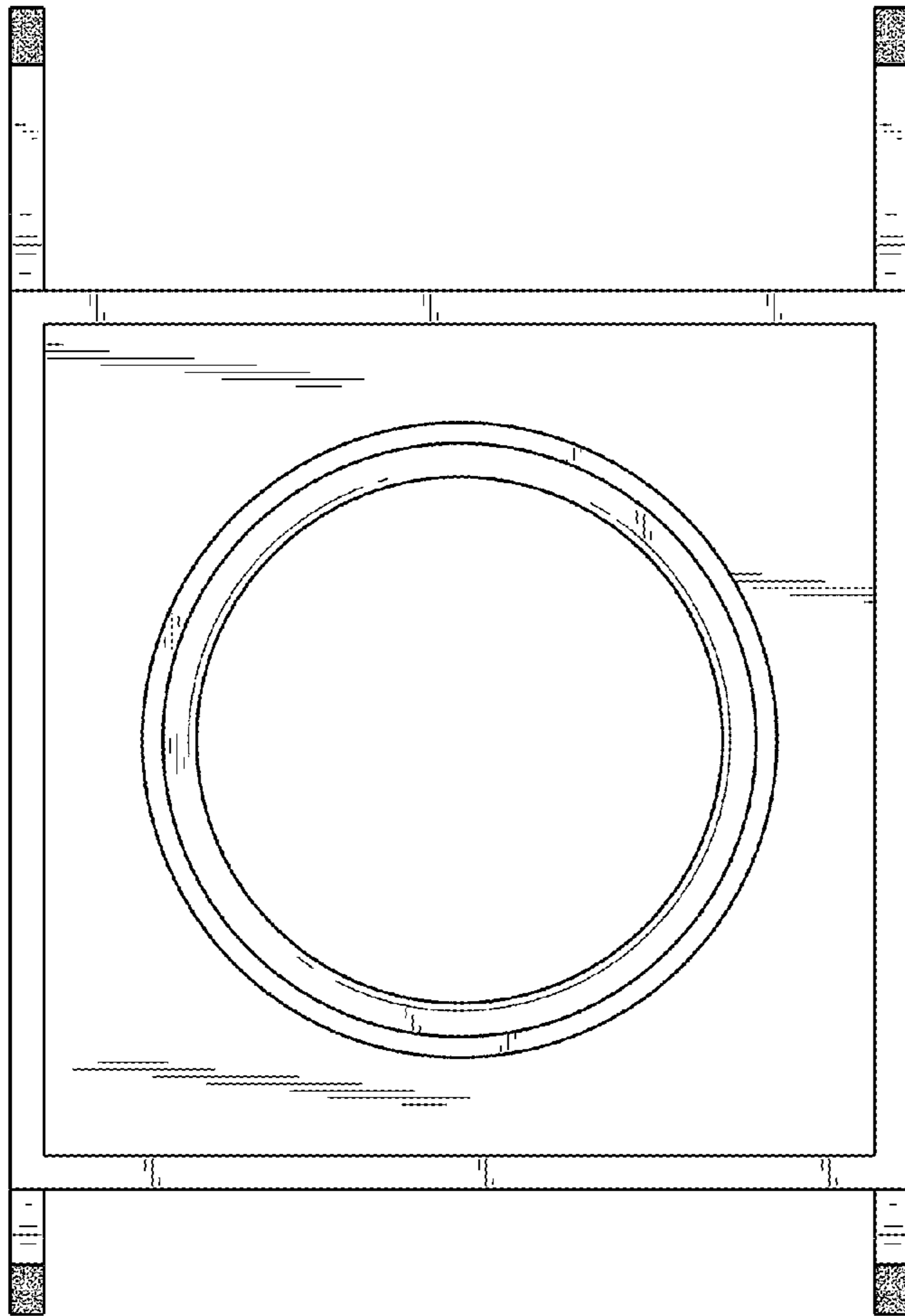


FIG. 8



FIG. 9

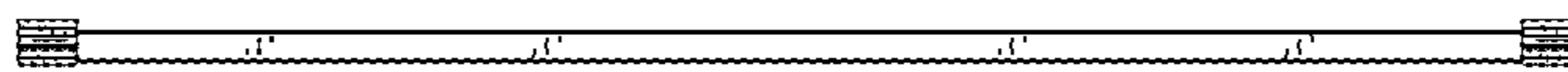


FIG. 10