



US00D729875S

(12) **United States Design Patent**  
**Xu**

(10) **Patent No.:** **US D729,875 S**  
(45) **Date of Patent:** **\*\* May 19, 2015**

- (54) **PEN**
- (71) Applicant: **Yanting Xu**, Beijing (CN)
- (72) Inventor: **Yanting Xu**, Beijing (CN)
- (\*\*) Term: **14 Years**
- (21) Appl. No.: **29/487,678**
- (22) Filed: **Apr. 10, 2014**
- (51) **LOC (10) Cl.** ..... **19-06**
- (52) **U.S. Cl.**  
USPC ..... **D19/177**
- (58) **Field of Classification Search**  
CPC ..... B43K 5/005; B43K 7/00; B43K 7/01;  
B43K 7/10; B43K 8/02; B43K 8/022; B43K  
8/024; B43K 8/026; B43K 8/028; B43K 8/03;  
B43K 11/00; B43K 11/005  
USPC ..... D14/411; D19/115–204  
See application file for complete search history.

D294,519	S	*	3/1988	Hardy, Jr.	.....	D24/144
4,964,024	A	*	10/1990	Tsay	.....	362/118
D345,991	S	*	4/1994	Tzong-Taur	.....	D19/36
5,313,557	A	*	5/1994	Osterhout	.....	704/272
D372,271	S	*	7/1996	Dworman et al.	.....	D19/51
D402,692	S	*	12/1998	Huang	.....	D19/44
D439,612	S	*	3/2001	Jones	.....	D19/36
7,311,460	B2	*	12/2007	Yu	.....	401/195
7,497,636	B2	*	3/2009	Fielding, Jr.	.....	401/195
D643,465	S	*	8/2011	Ng	.....	D19/46
D662,134	S	*	6/2012	Stopak	.....	D19/50
D701,267	S	*	3/2014	Schweig	.....	D19/170
D701,268	S	*	3/2014	Schweig	.....	D19/174

\* cited by examiner

*Primary Examiner* — Elizabeth Albert  
(74) *Attorney, Agent, or Firm* — Global IP Group

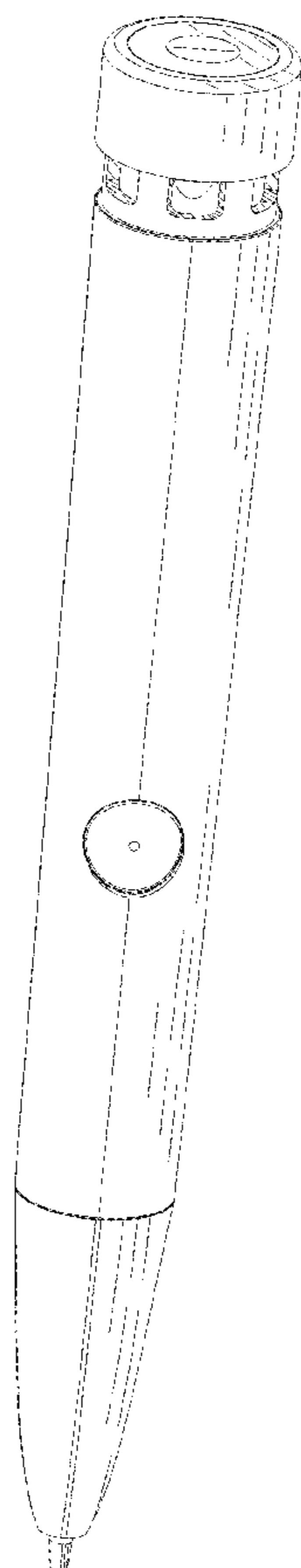
(57) **CLAIM**  
The ornamental design for a pen, as shown and described.

**DESCRIPTION**

FIG. 1 is a perspective view of a pen showing my new design;  
FIG. 2 is a left side elevational view thereof;  
FIG. 3 is a right side elevational view thereof;  
FIG. 4 is a front elevational view thereof;  
FIG. 5 is a rear elevational view thereof; and,  
FIG. 6 is a bottom plan view thereof.

**1 Claim, 6 Drawing Sheets**

- (56) **References Cited**  
U.S. PATENT DOCUMENTS  
1,655,719 A \* 1/1928 Wilkinson ..... 401/265  
3,159,863 A \* 12/1964 La Mura ..... 401/101  
4,541,630 A \* 9/1985 Dirks ..... 273/144 B



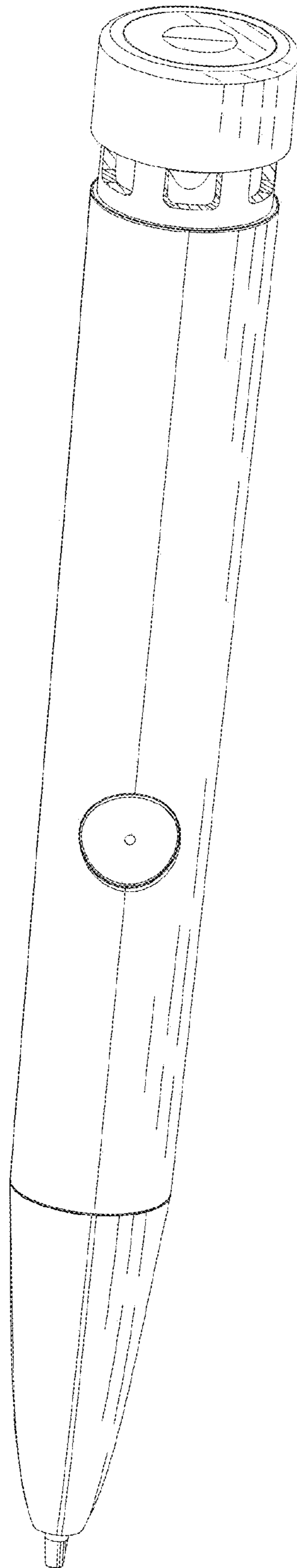


FIG. 1

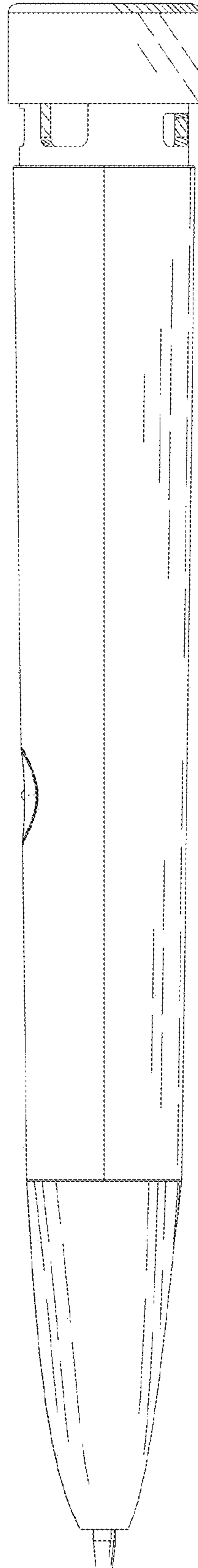


FIG. 2

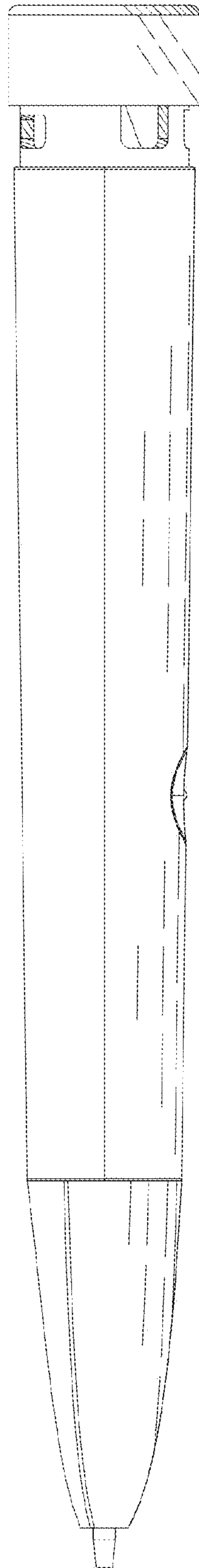


FIG. 3

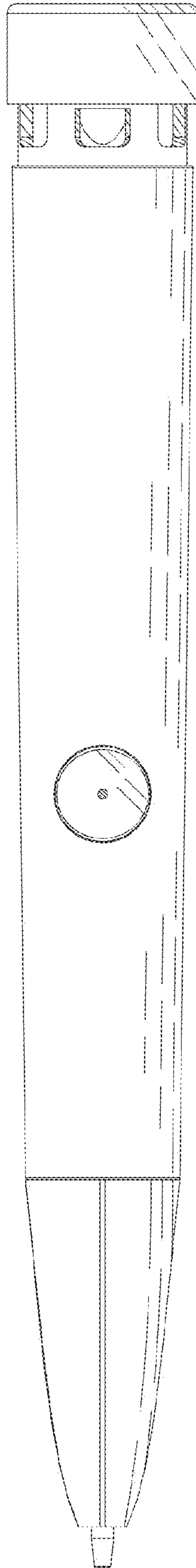


FIG. 4

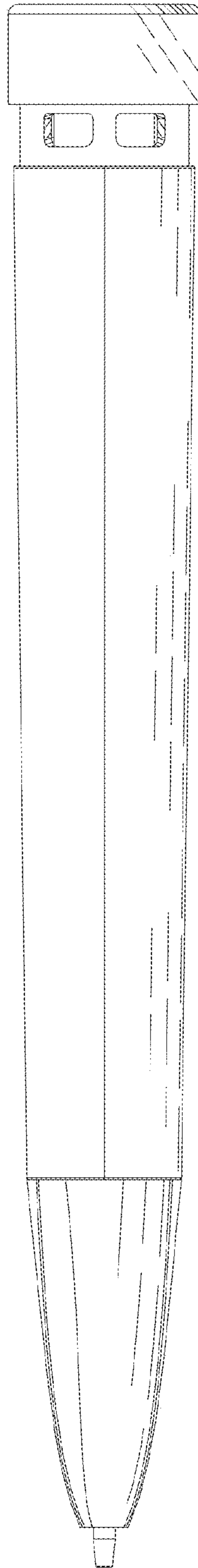


FIG. 5

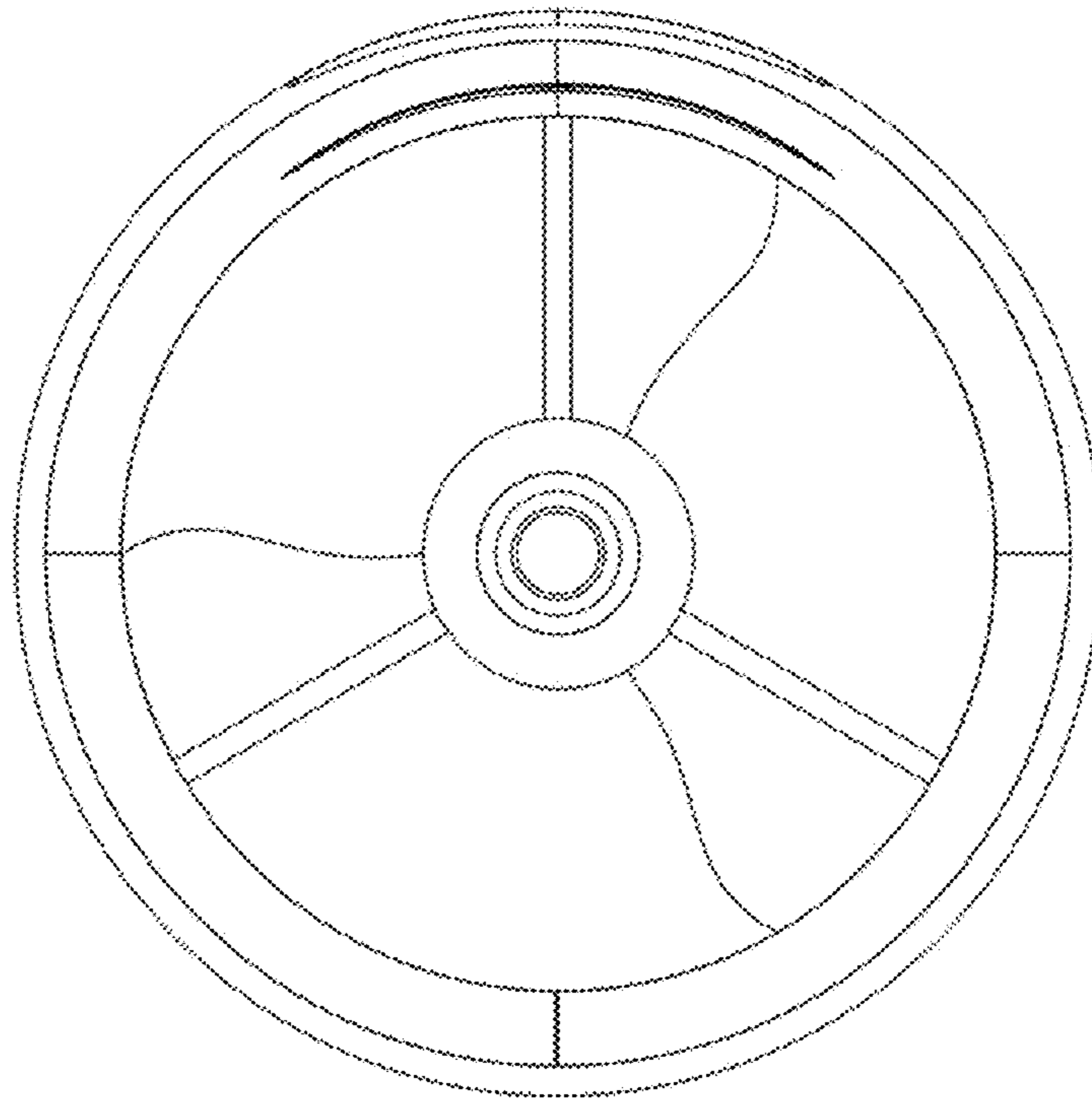


FIG. 6