



US00D729874S

(12) **United States Design Patent**  
**Larson et al.**

(10) **Patent No.:** **US D729,874 S**  
(45) **Date of Patent:** **\*\* \*May 19, 2015**

- (54) **PEN**
- (71) Applicant: **Target Brands, Inc.**, Minneapolis, MN (US)
- (72) Inventors: **Katherine E. Larson**, Minneapolis, MN (US); **Thomas P. Kuehn**, St. Louis Park, MN (US)
- (73) Assignee: **Target Brands, Inc.**, Minneapolis, MN (US)
- (\*) Notice: This patent is subject to a terminal disclaimer.
- (\*\*) Term: **14 Years**
- (21) Appl. No.: **29/466,273**
- (22) Filed: **Sep. 5, 2013**

**Related U.S. Application Data**

- (62) Division of application No. 29/426,201, filed on Jul. 2, 2012, now Pat. No. Des. 691,196.
- (51) **LOC (10) Cl.** ..... **19-06**
- (52) **U.S. Cl.**  
USPC ..... **D19/169**
- (58) **Field of Classification Search**  
USPC ..... D14/411; D19/115-204; 24/11 F, 11 P, 24/11 R; 401/52, 99-109, 192, 195, 196  
See application file for complete search history.

**References Cited**

**U.S. PATENT DOCUMENTS**

554,189 A	2/1896	Kochendarfer	
1,244,974 A *	10/1917	Gerdom	401/216
1,529,652 A	2/1922	Hofmann et al.	
1,464,214 A	8/1923	Ollerenshaw	
1,883,012 A	7/1929	Shields	
1,817,766 A	1/1931	Rhodes, Jr.	

D137,496 S	3/1944	Lustig	
D176,748 S *	1/1956	Asturias	D4/108
2,946,311 A	7/1960	Craig	
D214,105 S	5/1969	Cline	
D234,636 S	3/1975	Burgard, Jr.	
D253,660 S *	12/1979	Carre	D19/51
D253,897 S	1/1980	Cross	
D254,315 S	2/1980	Carre	

(Continued)

**FOREIGN PATENT DOCUMENTS**

WO 062860 3/2003

**OTHER PUBLICATIONS**

“Mechanical Pencil”, printed from [www.best-b2b.com/Products/500/506-2/mechanical-pencil\\_68862.html](http://www.best-b2b.com/Products/500/506-2/mechanical-pencil_68862.html) (2 pages).

(Continued)

*Primary Examiner* — Elizabeth Albert

(74) *Attorney, Agent, or Firm* — JoAnn M. Seaton; Griffiths & Seaton PLLC

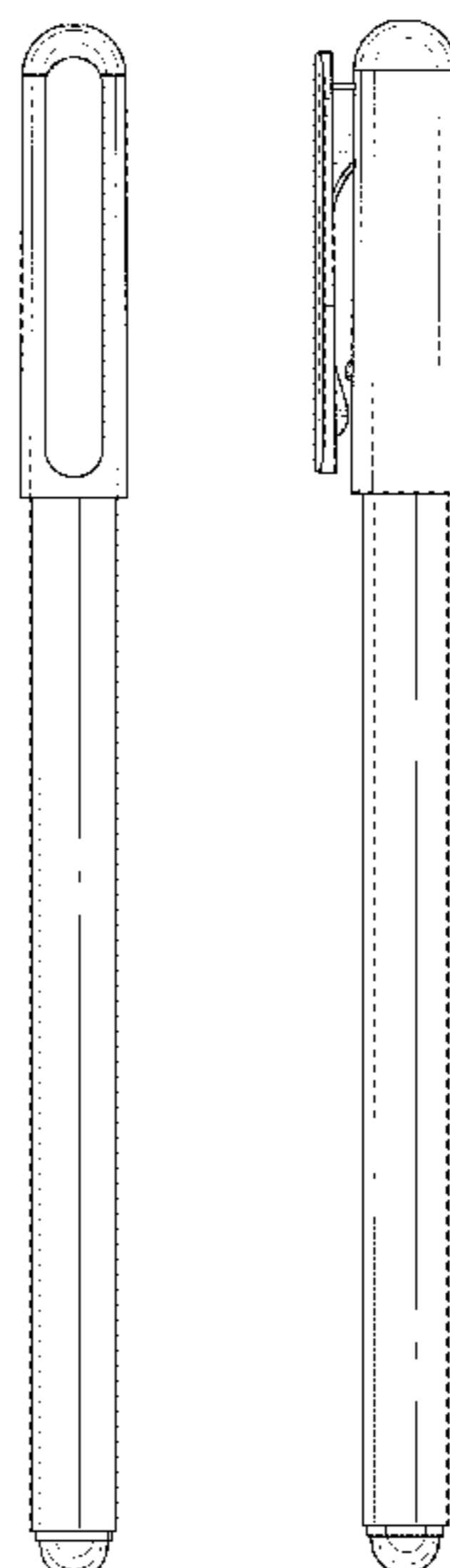
(57) **CLAIM**

The ornamental design for a pen, as shown and described.

**DESCRIPTION**

FIG. 1 is an upper front left perspective view of a pen showing my new design;  
 FIG. 2 is a front elevation view thereof;  
 FIG. 3 is a rear elevation view thereof;  
 FIG. 4 is a right side elevation view thereof, with the left side elevation view being a mirror image of the right side elevation view;  
 FIG. 5 is an enlarged top plan view thereof; and,  
 FIG. 6 is an enlarged bottom plan view thereof.  
 The broken lines shown in FIGS. 1, 5, and 6 illustrate environmental subject matter and form no part of the claimed design.

**1 Claim, 3 Drawing Sheets**



(56)

References Cited

U.S. PATENT DOCUMENTS

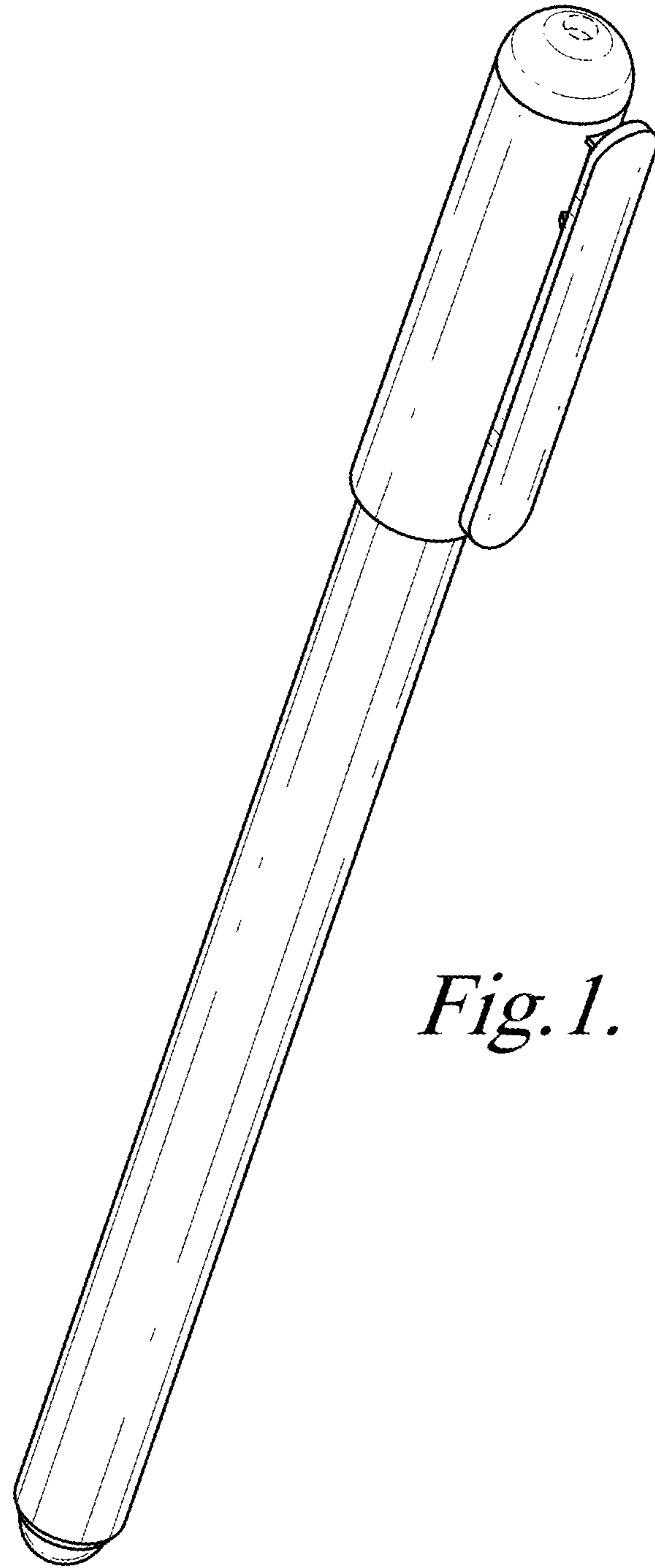
D259,642 S \* 6/1981 Gomez ..... D19/51  
 D259,793 S \* 7/1981 Carre ..... D19/51  
 D260,101 S 8/1981 Gomez  
 D260,658 S 9/1981 Chiba  
 D261,009 S \* 9/1981 Gomez ..... D19/49  
 D261,531 S 10/1981 Delcroix  
 4,308,879 A \* 1/1982 Thornbloom ..... 132/317  
 D263,482 S 3/1982 Carre  
 D270,843 S \* 10/1983 Itoh ..... D19/51  
 D273,876 S 5/1984 Evenson  
 D279,115 S 6/1985 Nishida  
 D286,164 S 10/1986 Tinz  
 D293,590 S 1/1988 Mimaki  
 4,765,767 A \* 8/1988 Marynissen et al. .... 401/213  
 D310,684 S 9/1990 Itoh  
 D316,726 S 5/1991 Itoh  
 D317,625 S 6/1991 Itoh  
 D318,688 S 7/1991 Regnault  
 D321,720 S 11/1991 Sakurada  
 D341,623 S 11/1993 Chuang  
 D345,578 S 3/1994 Zier  
 D358,167 S 5/1995 Herbst  
 D359,757 S 6/1995 Inami et al.  
 D370,497 S 6/1996 Moore  
 D377,193 S \* 1/1997 Takemura ..... D19/36  
 D377,195 S 1/1997 Takahashi  
 D378,761 S 4/1997 Sekine  
 D382,016 S 8/1997 Takahashi  
 5,676,480 A \* 10/1997 Tosto ..... 401/10  
 D395,673 S 6/1998 Baubil  
 D398,642 S 9/1998 Avenatti  
 D400,922 S 11/1998 Sakuno  
 D401,275 S 11/1998 Otake  
 D401,278 S 11/1998 Hu  
 D404,069 S 1/1999 Hasegawa  
 D409,241 S \* 5/1999 Melnick ..... D19/36  
 D411,237 S 6/1999 Izushima  
 D416,940 S 11/1999 Ito  
 D421,625 S \* 3/2000 Oka ..... D19/49  
 D433,447 S 11/2000 Rosenbaum  
 6,200,046 B1 3/2001 Rylander  
 D447,173 S 8/2001 Yoon  
 D452,526 S 12/2001 Nishida  
 D452,877 S 1/2002 DeLuca et al.  
 D458,965 S 6/2002 Oka  
 D460,110 S \* 7/2002 Kobayashi ..... D19/43  
 D472,577 S 4/2003 Sakuno et al.  
 D473,898 S 4/2003 Nakazawa  
 D485,299 S 1/2004 Bodino  
 D492,720 S 7/2004 Chiu  
 D504,152 S 4/2005 Collin  
 D506,500 S 6/2005 Qiu  
 6,948,872 B2 9/2005 Eisele  
 D540,383 S 4/2007 Nishida  
 D545,366 S 6/2007 Ternovits  
 D545,367 S 6/2007 Ternovits  
 D546,388 S 7/2007 Hung  
 D546,884 S 7/2007 Ternovits  
 D552,176 S 10/2007 Schnug  
 D562,396 S 2/2008 Qiu  
 D564,026 S 3/2008 Bhavnani  
 D566,174 S 4/2008 Silverstein  
 D566,766 S 4/2008 Silverstein  
 D568,393 S 5/2008 Bhavnani  
 D568,932 S 5/2008 Qiu et al.  
 D575,817 S 8/2008 Loesel  
 D585,093 S 1/2009 Schnug

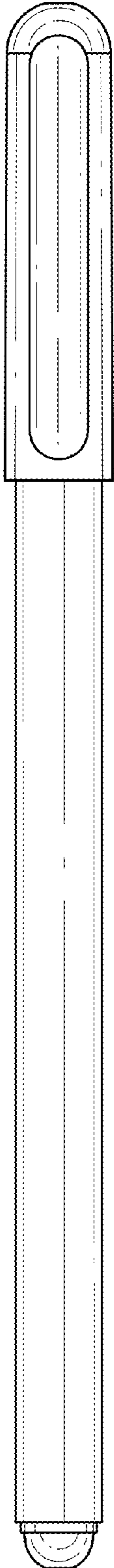
D595,350 S \* 6/2009 Paz et al. .... D19/43  
 D598,953 S 8/2009 Yu et al.  
 D598,954 S 8/2009 Wang et al.  
 D601,627 S 10/2009 Liu  
 D602,086 S 10/2009 Liu  
 D605,693 S 12/2009 Ng  
 D605,695 S 12/2009 Leibeck  
 D605,700 S 12/2009 Ma  
 D606,587 S 12/2009 Zhang  
 D607,934 S 1/2010 Liu  
 D608,393 S 1/2010 Koreska  
 D610,616 S 2/2010 Li  
 D611,095 S 3/2010 Liu  
 D611,096 S 3/2010 Liu  
 D611,097 S 3/2010 Liu  
 D612,426 S 3/2010 Suero, Jr. et al.  
 D615,590 S 5/2010 Li  
 D616,025 S 5/2010 Yan  
 D616,498 S 5/2010 Zhang  
 D616,936 S 6/2010 Liu  
 D616,937 S 6/2010 Liu  
 D621,875 S 8/2010 Stukenkemper  
 D633,560 S 3/2011 Clivio  
 D636,022 S 4/2011 Kim  
 D638,062 S 5/2011 Wang  
 D641,402 S 7/2011 Tan  
 D641,406 S 7/2011 Zhang  
 D641,787 S 7/2011 Tan  
 D645,506 S 9/2011 Hung  
 D647,961 S 11/2011 Zhang  
 D661,736 S 6/2012 Zhang  
 D669,127 S 10/2012 Chen  
 D670,289 S 11/2012 Bae et al.  
 D678,282 S 3/2013 Izen  
 D682,936 S 5/2013 Larson  
 D682,937 S \* 5/2013 Larson et al. .... D19/51  
 D682,938 S \* 5/2013 Larson et al. .... D19/55  
 D688,304 S \* 8/2013 Larson et al. .... D19/45  
 D691,196 S \* 10/2013 Lv ..... D19/186  
 D696,346 S \* 12/2013 Lv ..... D19/916  
 D721,761 S \* 1/2015 Li ..... D19/164

OTHER PUBLICATIONS

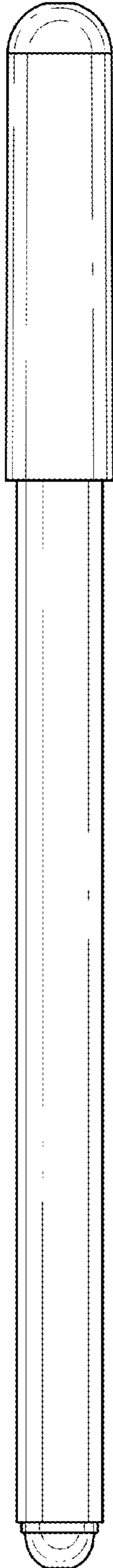
“Pilot® G2 Retractable Gel Ink Pens:, Fine, Black”, printed from [www.quill.com/pilot-g2-retractable-gel-ink-pens/cbs/039077.html?cm\\_mmc=SEM\\_PLA\\_039077](http://www.quill.com/pilot-g2-retractable-gel-ink-pens/cbs/039077.html?cm_mmc=SEM_PLA_039077) (2 pages).  
 “OfficeMax Retractable Gel Pens, Medium Point, Assorted 6 pk”, printed from [www.officemax.com/office-supplies/pens-pencils-markers/pens/gel-pens/product-ARS21761?R=20738980&ssp=true](http://www.officemax.com/office-supplies/pens-pencils-markers/pens/gel-pens/product-ARS21761?R=20738980&ssp=true) (1 page).  
 “Office Depot® Brand Crystal Stick Ballpoint Pens”, printed from [www.officedepot.com/a/products/787115/Office-Depot-Brand-Crystal-Stick-Ballpoint/](http://www.officedepot.com/a/products/787115/Office-Depot-Brand-Crystal-Stick-Ballpoint/) (2 pages).  
 “OfficeMax Stick Medium Point Ballpoint Pens, 12 Black Ink Pens”, printed from [www.officemax.com/office-supplies/pens-pencils-markers/pens/ballpoint-pens/product-prod4090254](http://www.officemax.com/office-supplies/pens-pencils-markers/pens/ballpoint-pens/product-prod4090254) (1 page).  
 “OfficeMax Stick Medium Point Ballpoint Pens, 12 Blue Ink Pens”, printed from [www.officemax.com/office-supplies/pens-pencils-markers/pens/ballpoint-pens/product-ARS24331](http://www.officemax.com/office-supplies/pens-pencils-markers/pens/ballpoint-pens/product-ARS24331) (1 page).  
 “Jumbo Highlighter Marker Pen”, printed from [www.ecvv.com/product/3455152.html](http://www.ecvv.com/product/3455152.html) (3 pages).  
 “Just Basics Mechanical Pencils, 0.7 mm 12/pk”, printed from [www.officemax.com/office-supplies/pens-pencils-markers/pencils/mechanical-pencils/product-ARS24351](http://www.officemax.com/office-supplies/pens-pencils-markers/pencils/mechanical-pencils/product-ARS24351) (1 page).  
 Photograph of Sample Writing Instruments Each Publicly Offered for Sale More Than One Year Prior to Feb. 9, 2012 (1 page).

\* cited by examiner

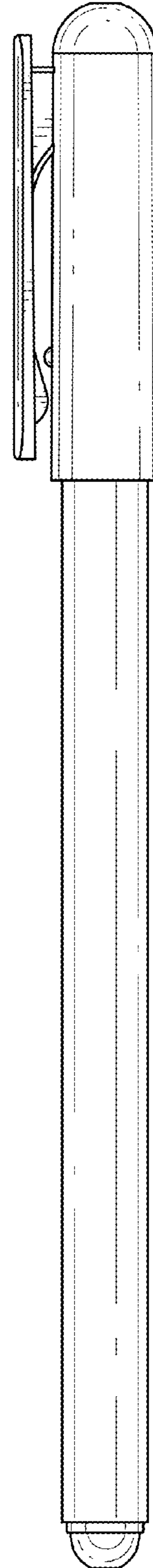




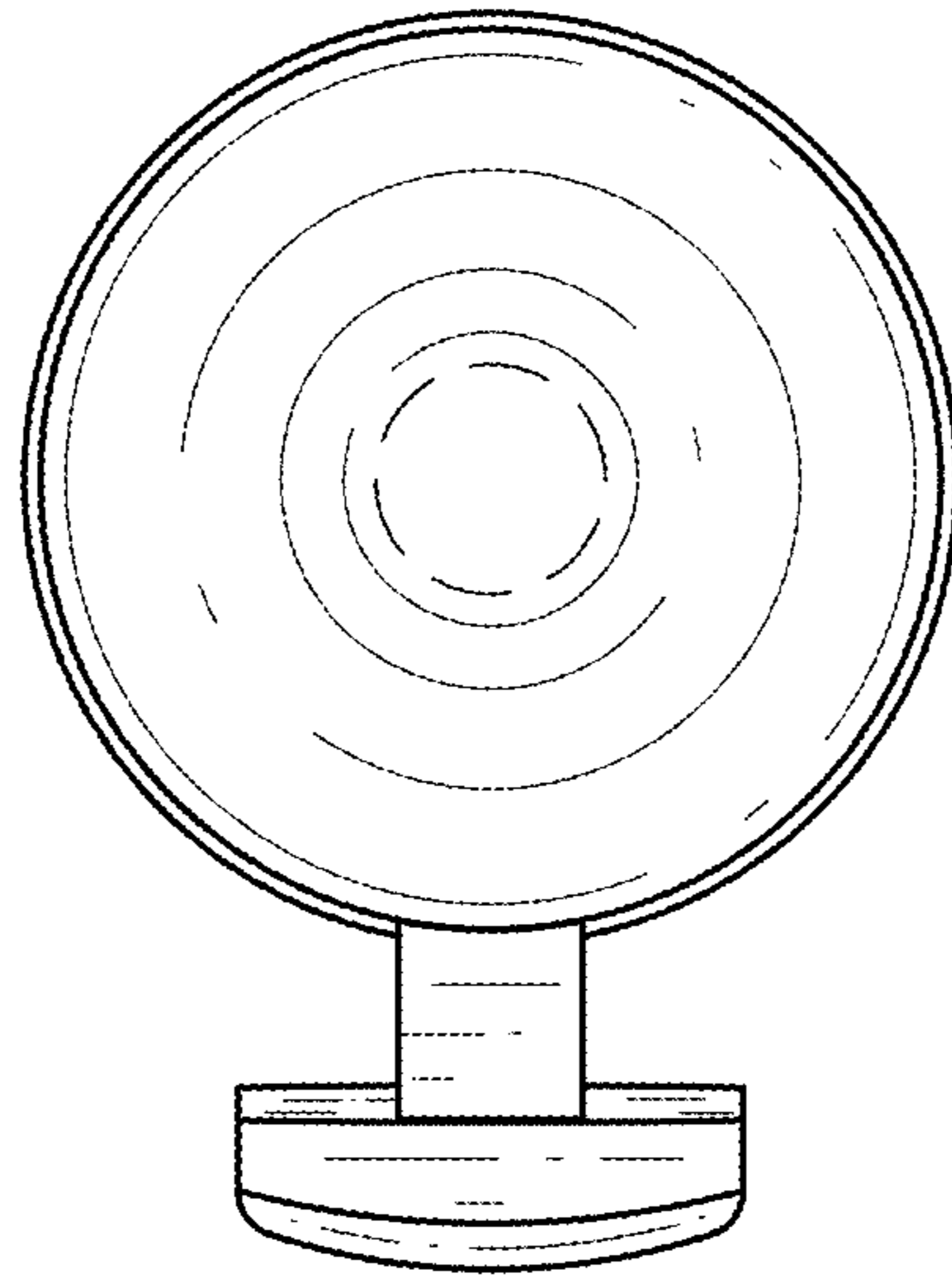
*Fig. 2.*



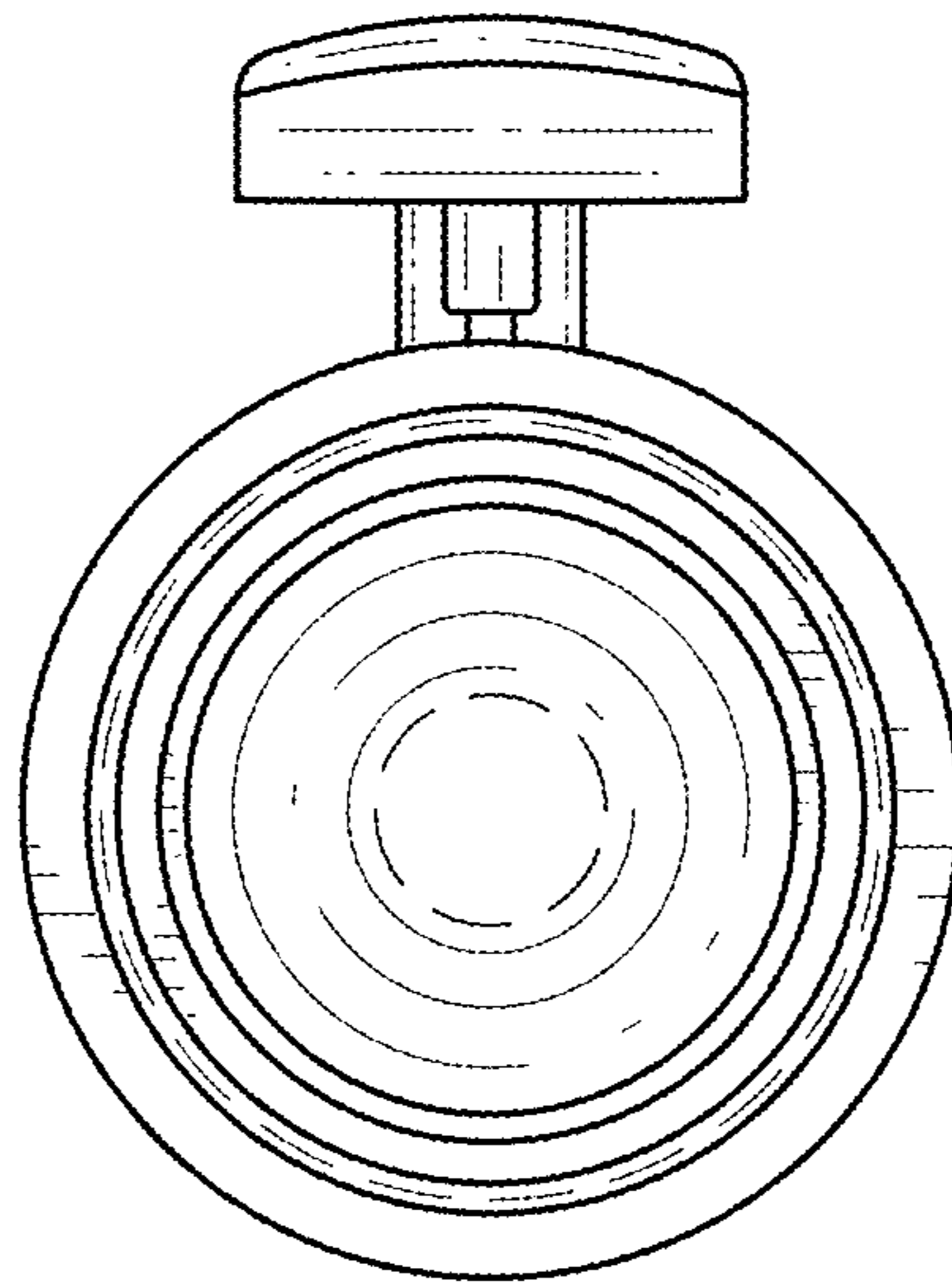
*Fig. 3.*



*Fig. 4.*



*Fig. 5.*



*Fig. 6.*