



US00D729873S

(12) **United States Design Patent**
Breuker

(10) **Patent No.:** **US D729,873 S**

(45) **Date of Patent:** **** May 19, 2015**

(54) **CUTTING TEMPLATE**

(71) Applicant: **Joan Breuker**, Zeeland, MI (US)

(72) Inventor: **Joan Breuker**, Zeeland, MI (US)

(**) Term: **14 Years**

(21) Appl. No.: **29/490,152**

(22) Filed: **May 7, 2014**

(51) **LOC (10) Cl.** **19-06**

(52) **U.S. Cl.**
USPC **D19/37**

(58) **Field of Classification Search**
USPC D5/61, 63; D10/64; D19/9, 10, 11, 37,
D19/39, 40; D21/386, 390; 33/562, 563,
33/564, 565, 566; 101/127; 434/87
See application file for complete search history.

(56) **References Cited**

U.S. PATENT DOCUMENTS

2,247,362 A * 7/1941 Dibble, Jr. 33/474
D206,120 S * 11/1966 Johnson D25/199
7,199,297 B2 * 4/2007 Anderson 84/422.3

D557,330 S * 12/2007 Parikh et al. D17/20
D644,541 S * 9/2011 Schrader et al. D10/64
8,499,470 B1 * 8/2013 Hilton 33/562
2003/0070313 A1 * 4/2003 Romer 33/566
2005/0155483 A1 * 7/2005 Anderson 84/422.3
2005/0246914 A1 * 11/2005 Perea 33/562

* cited by examiner

Primary Examiner — Elizabeth Albert

(74) *Attorney, Agent, or Firm* — King & Partners, PLC

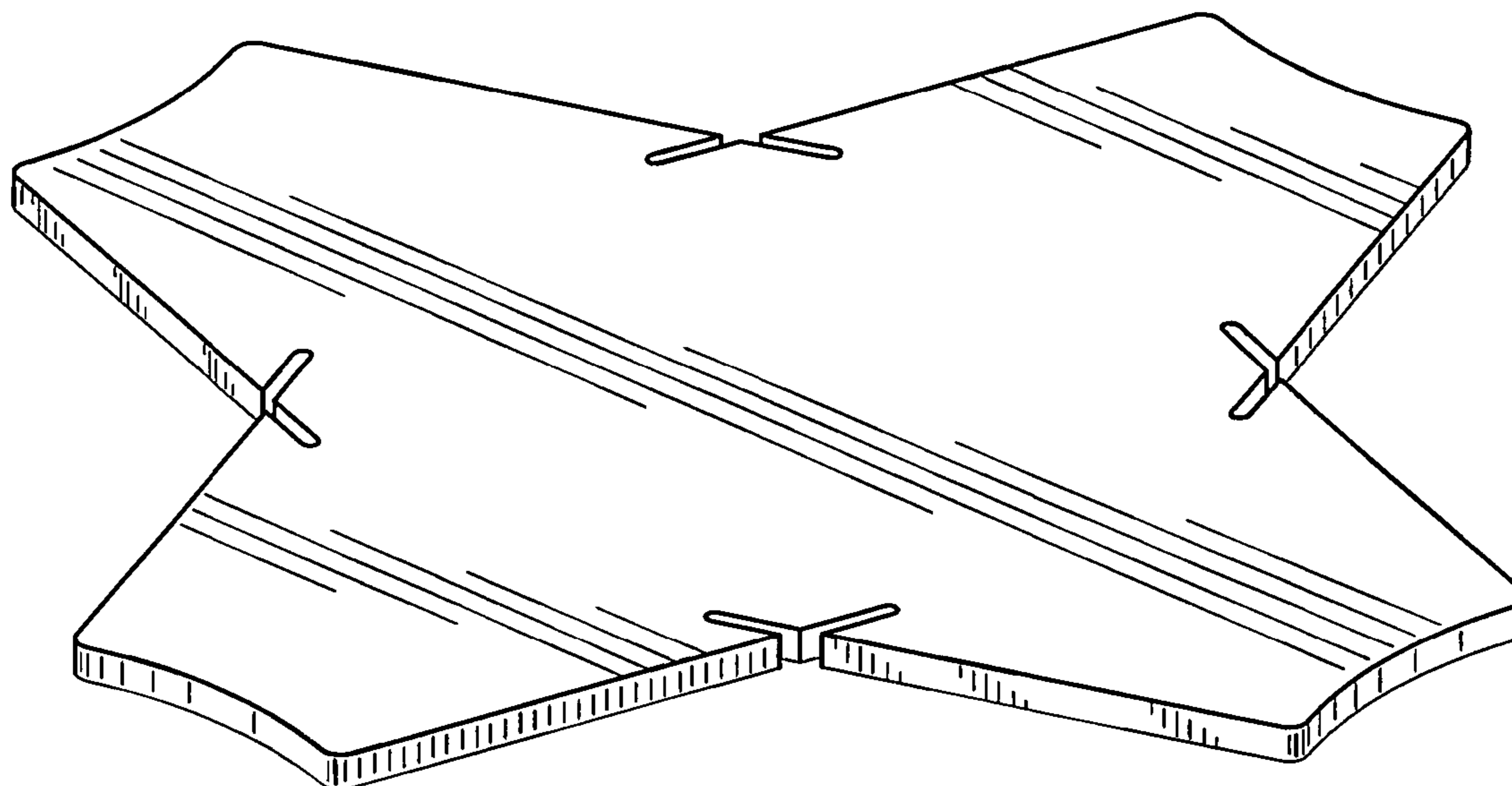
(57) **CLAIM**

The ornamental design for a cutting template, as shown and described.

DESCRIPTION

FIG. 1 is a front perspective view of a cutting template showing my new design;
FIG. 2 is a top plan view of the cutting template of FIG. 1, it being understood that the bottom plan view is a mirror image of the top plan view; and,
FIG. 3 is a left side view of the cutting template of FIG. 1, it being understood that the right side view is a mirror image of the left side view.

1 Claim, 3 Drawing Sheets



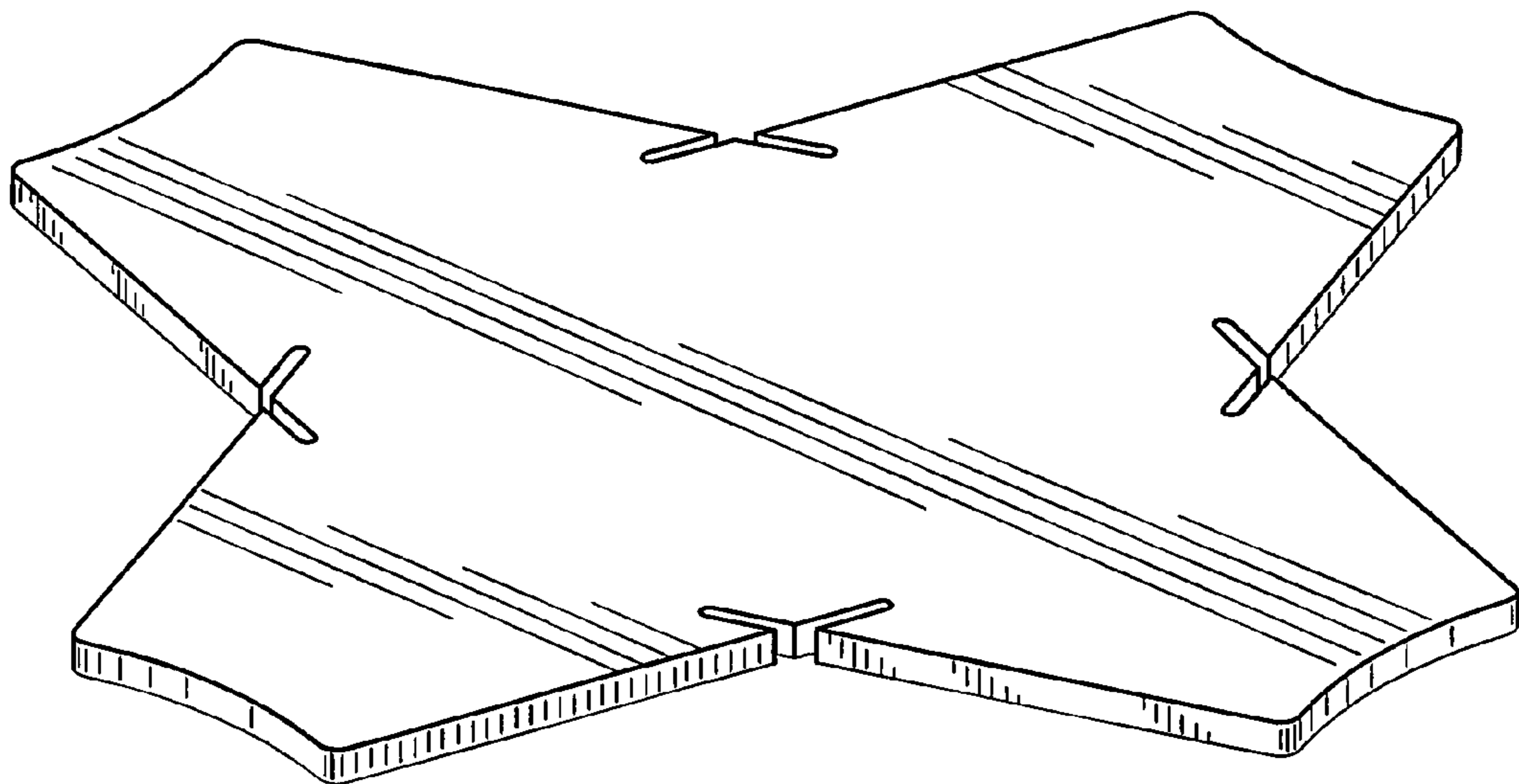


Fig.1

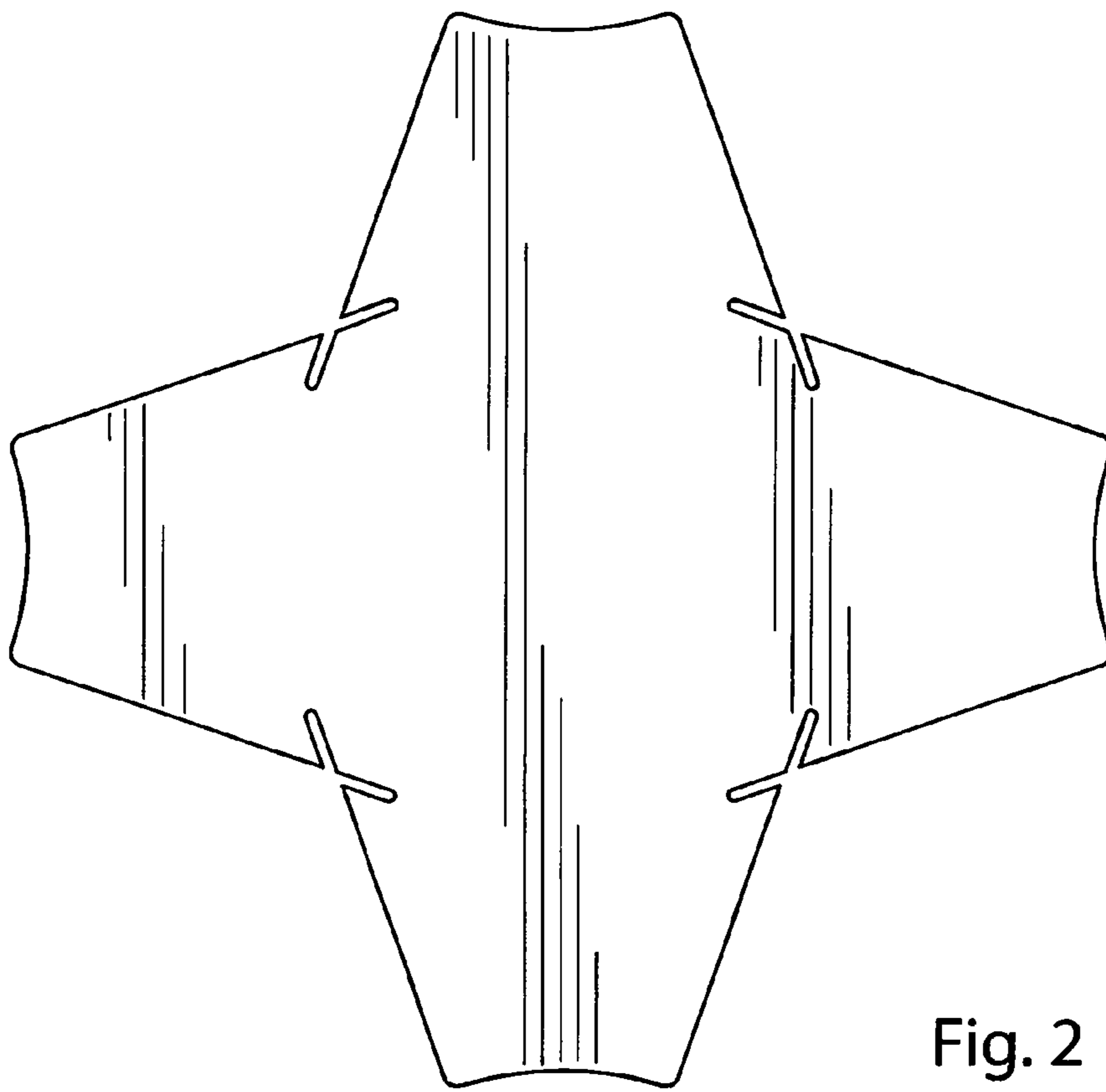


Fig. 2

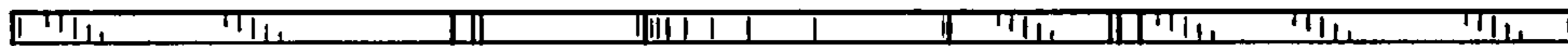


Fig. 3