



US00D729867S

(12) **United States Design Patent**  
**Lee et al.**

(10) **Patent No.:** **US D729,867 S**  
(45) **Date of Patent:** **\*\* May 19, 2015**

(54) **CARD PAYMENT TERMINAL**

(71) Applicant: **BLUEBIRD INC.**, Seoul (KR)

(72) Inventors: **Jang Won Lee**, Seoul (KR); **Jung Sik Park**, Namyangju-si (KR); **Hack Nam Yoon**, Bucheon-si (KR)

(73) Assignee: **BLUEBIRD INC.** (KR)

(\*\*) Term: **14 Years**

(21) Appl. No.: **29/455,570**

(22) Filed: **May 22, 2013**

(51) **LOC (10) Cl.** ..... **18-01**

(52) **U.S. Cl.**  
USPC ..... **D18/4.6**

(58) **Field of Classification Search**  
USPC ..... D18/3.1-4.6, 6-8, 11, 12, 12.1-12.3;  
D14/371, 373-376, 382, 385-387, 394,  
D14/399; D21/324, 329, 332, 333; D99/28,  
D99/34-36, 43; 235/375, 380, 439, 441,  
235/449, 451, 492; 361/600, 679.01,  
361/679.02, 679.31  
See application file for complete search history.

(56) **References Cited**  
U.S. PATENT DOCUMENTS

D519,998 S *	5/2006	Park	.....	D14/346
D521,993 S *	5/2006	Pletikosa et al.	.....	D14/346
D527,001 S *	8/2006	Pletikosa et al.	.....	D14/346
D531,628 S *	11/2006	Pletikosa et al.	.....	D14/346
D547,361 S *	7/2007	Henry	.....	D18/4.6
D554,694 S *	11/2007	Slinckx	.....	D18/4.4

D560,218 S *	1/2008	Corley	.....	D14/346
D577,762 S *	9/2008	Nelson et al.	.....	D18/4.6
7,513,421 B2 *	4/2009	Shibasaki	.....	235/379
D614,230 S *	4/2010	Hidaka	.....	D18/12
D638,465 S *	5/2011	Goldin	.....	D18/4.6
D648,373 S *	11/2011	Hidaka	.....	D18/4.4
D677,640 S *	3/2013	Kim et al.	.....	D14/138 G
D681,036 S *	4/2013	Taunay da Graca	.....	
		Couto	.....	D14/385
D688,641 S *	8/2013	Oh	.....	D14/138 AA
D710,846 S *	8/2014	Park et al.	.....	D14/346
2008/0011850 A1 *	1/2008	Henry	.....	235/441

\* cited by examiner

*Primary Examiner* — Eric Goodman  
*Assistant Examiner* — Amy Wierenga  
(74) *Attorney, Agent, or Firm* — Cantor Colburn LLP

(57) **CLAIM**  
The ornamental design for a card payment terminal, as shown and described.

**DESCRIPTION**

FIG. 1 is a perspective view of a card payment terminal showing our new design;  
FIG. 2 is a front view thereof;  
FIG. 3 is a rear view thereof;  
FIG. 4 is a left side view thereof;  
FIG. 5 is a right side view thereof;  
FIG. 6 is a top plan view in an enlarged scale thereof;  
FIG. 7 is a bottom plan view in an enlarged scale thereof; and,  
FIG. 8 is another perspective view thereof.  
The broken lines in the drawing depict portions of the article and form no part of the claimed design.

**1 Claim, 8 Drawing Sheets**

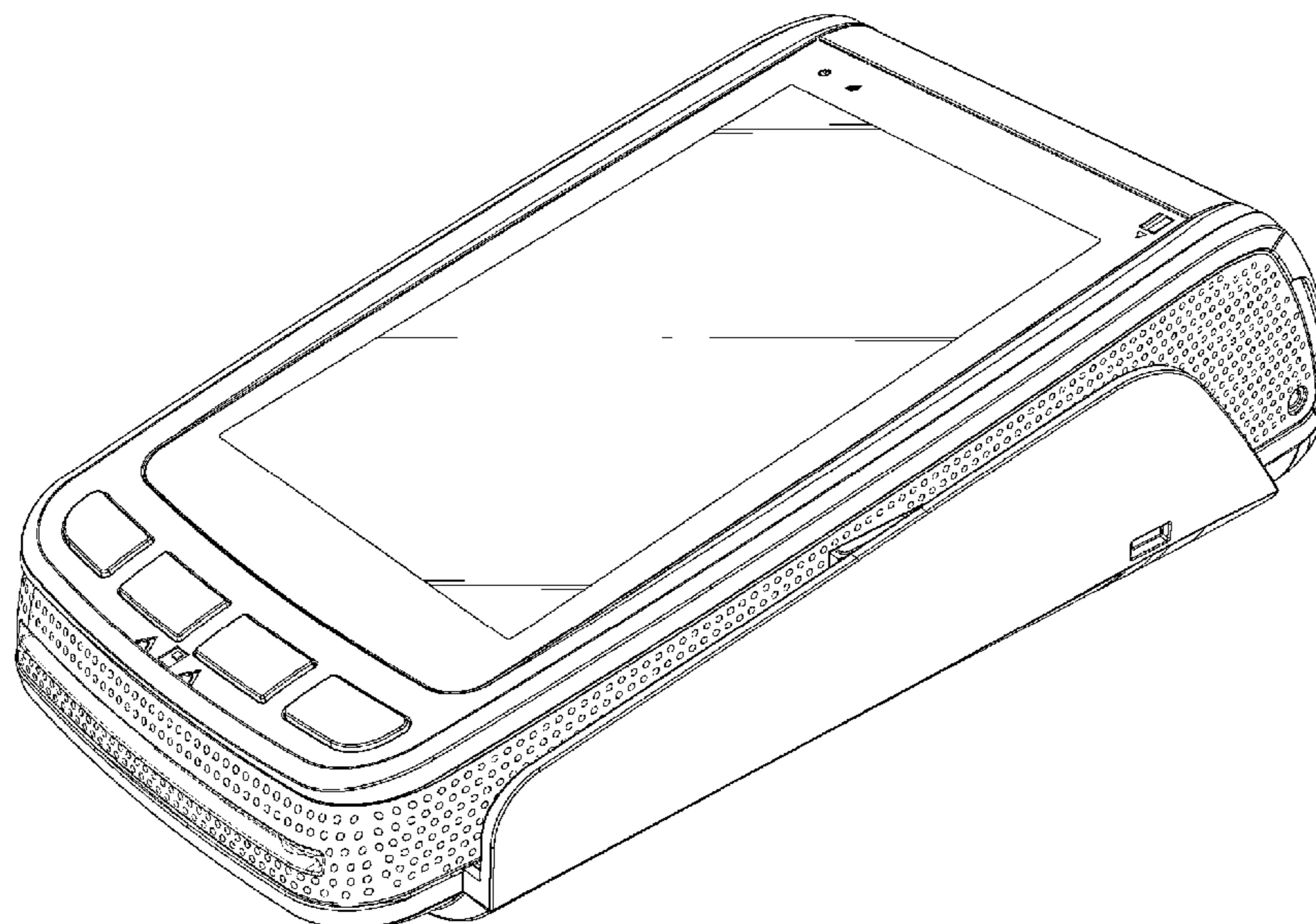


Fig. 1

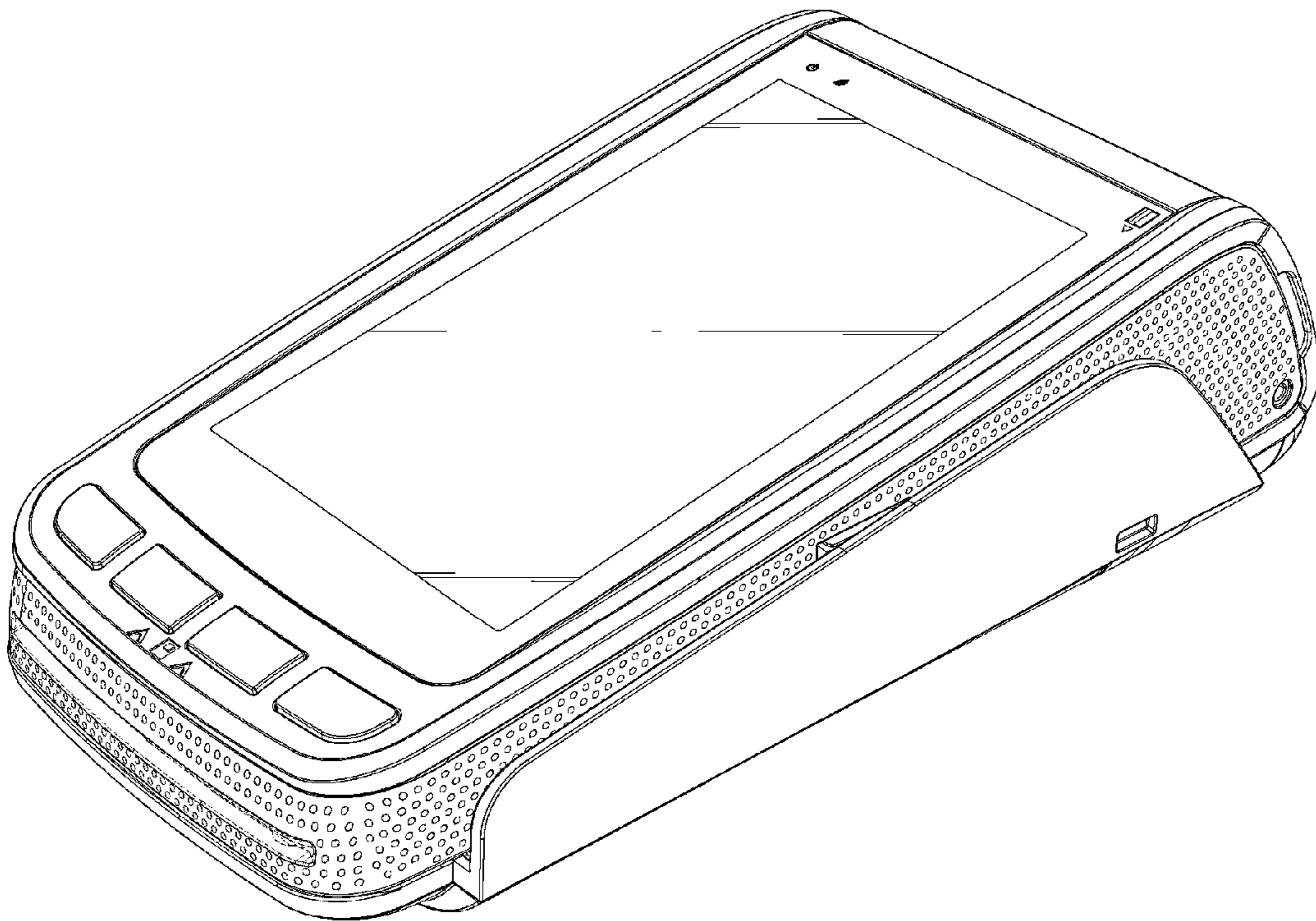


Fig. 2

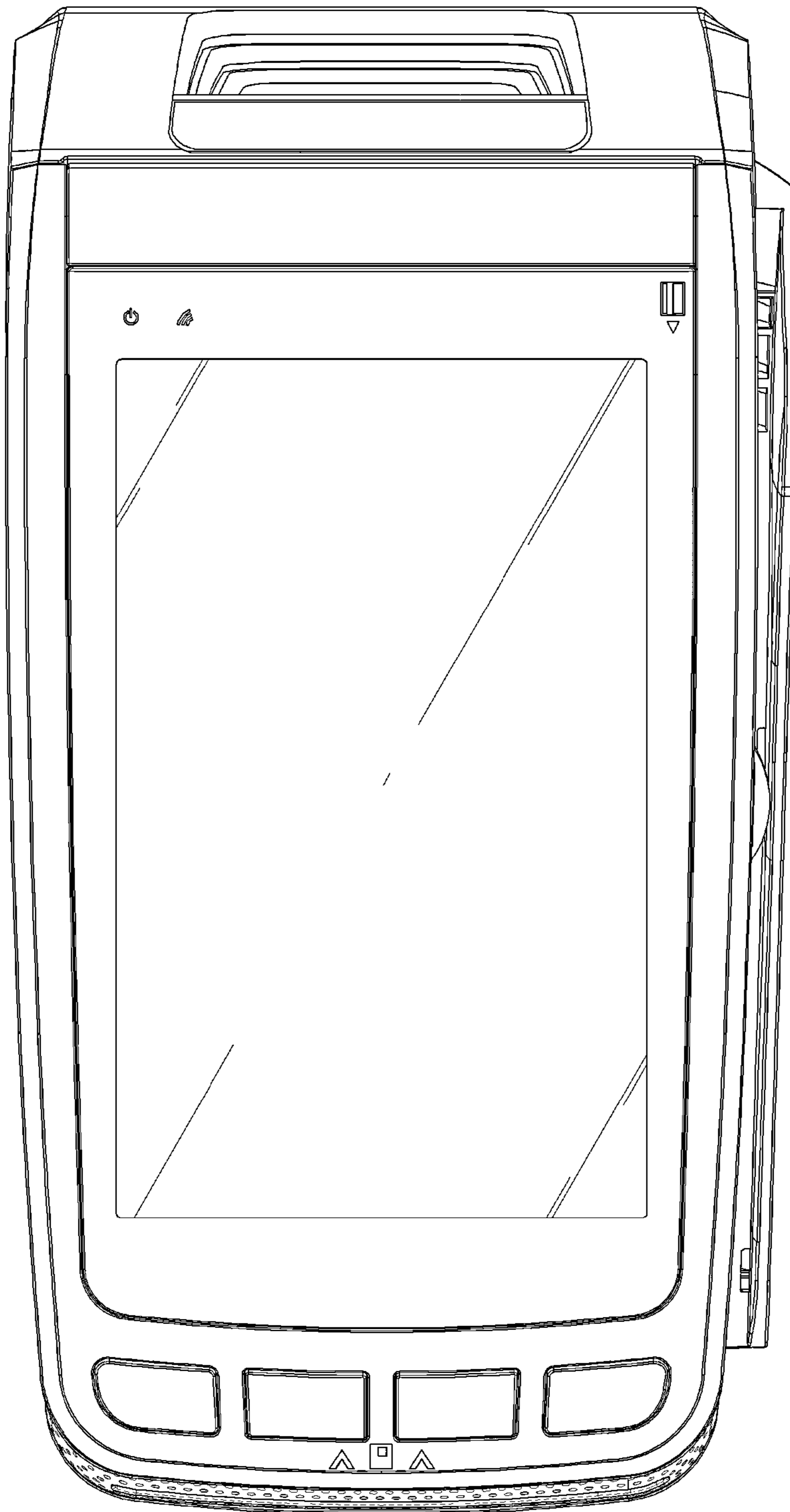


Fig. 3

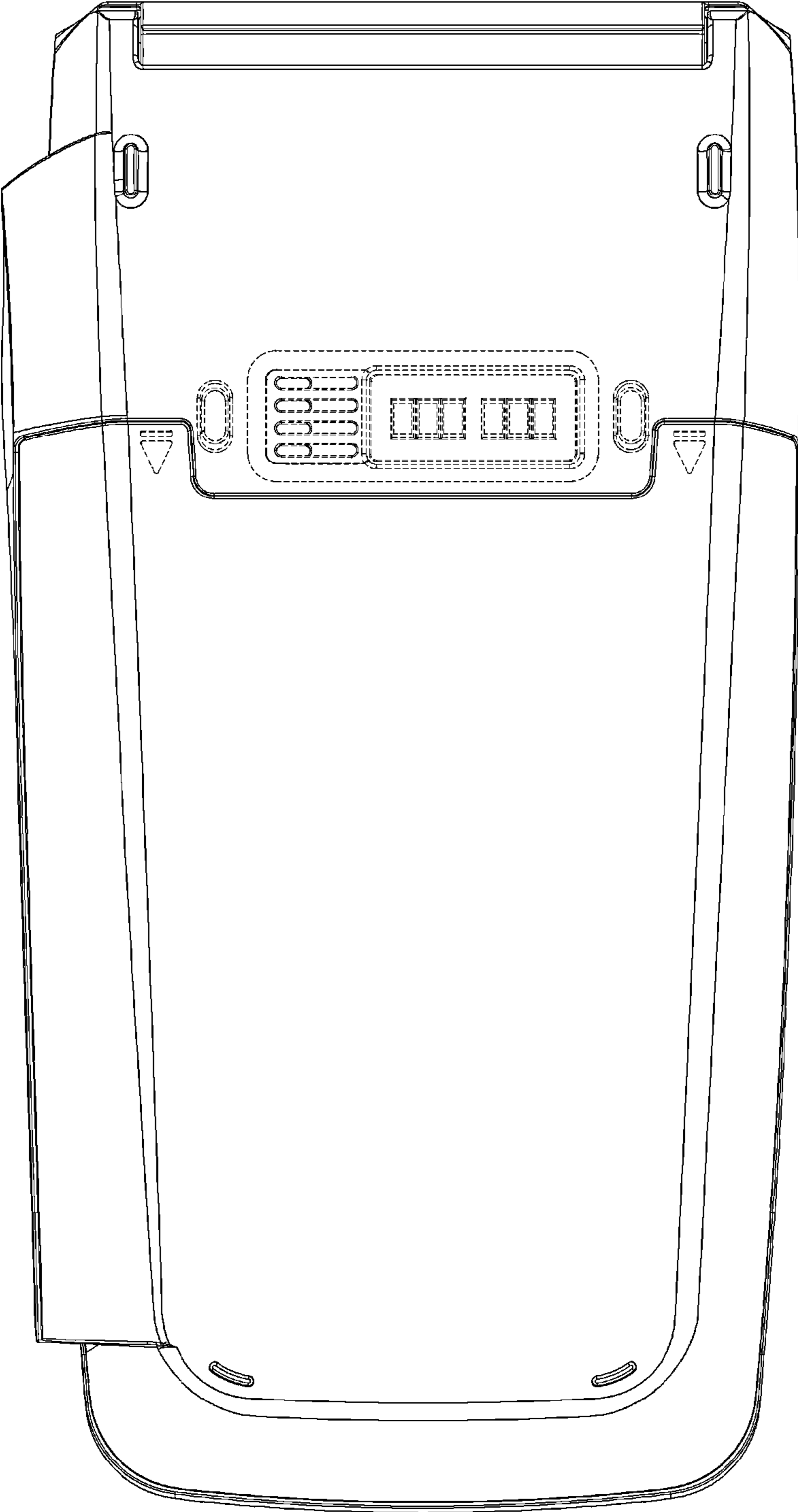


Fig. 4

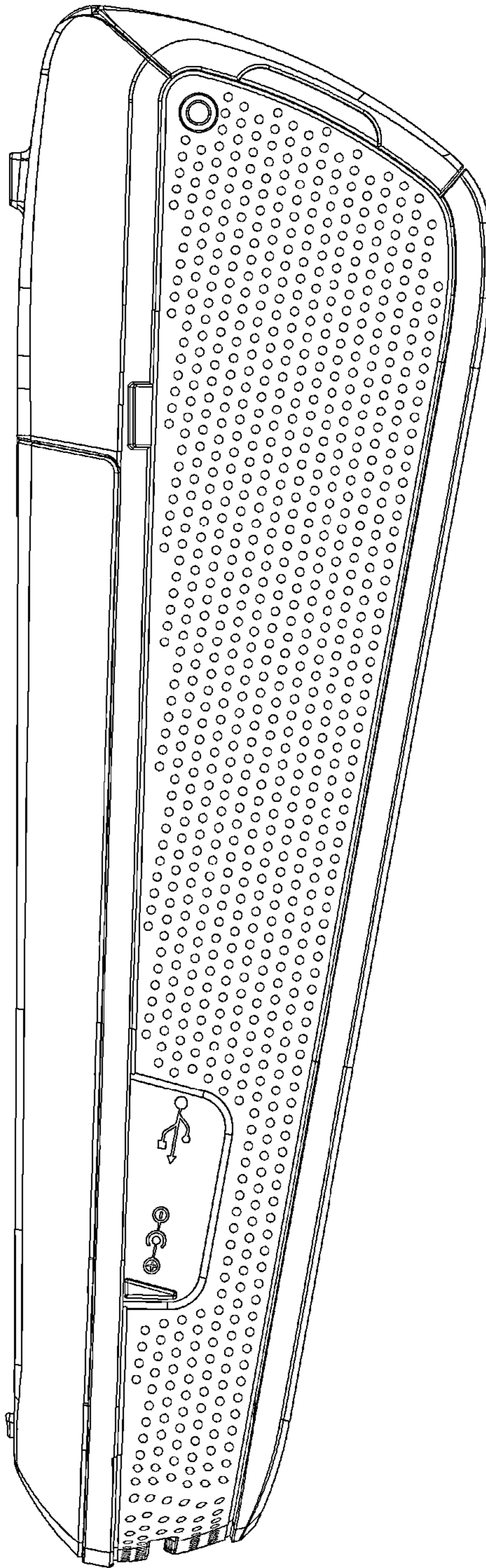


Fig. 5

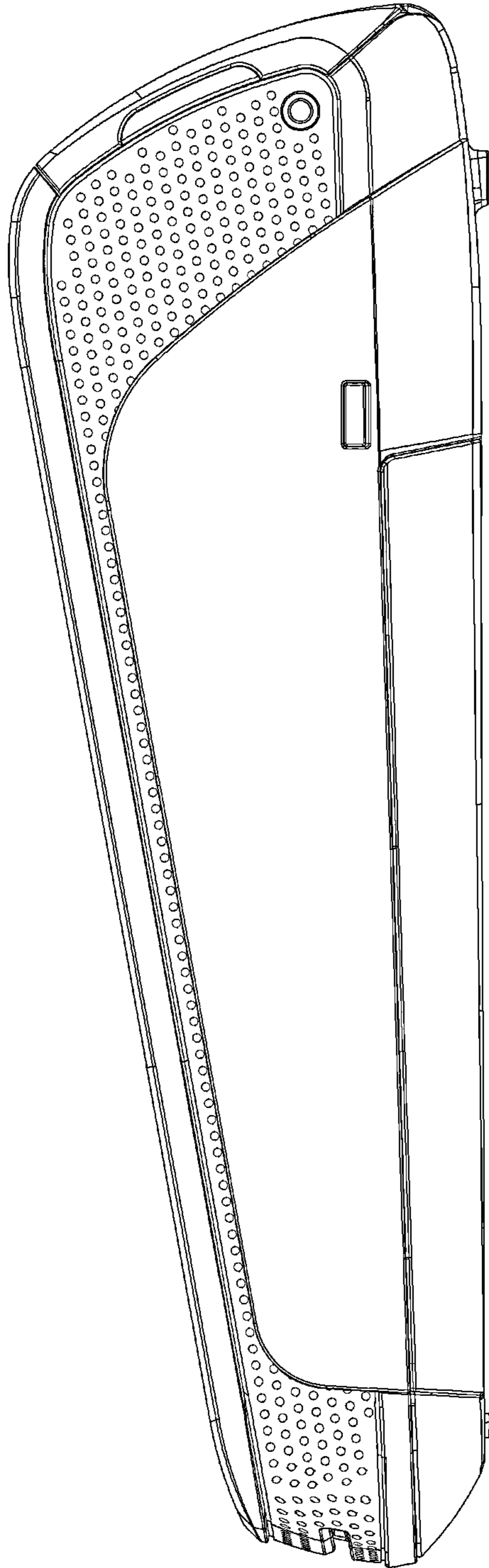


Fig. 6

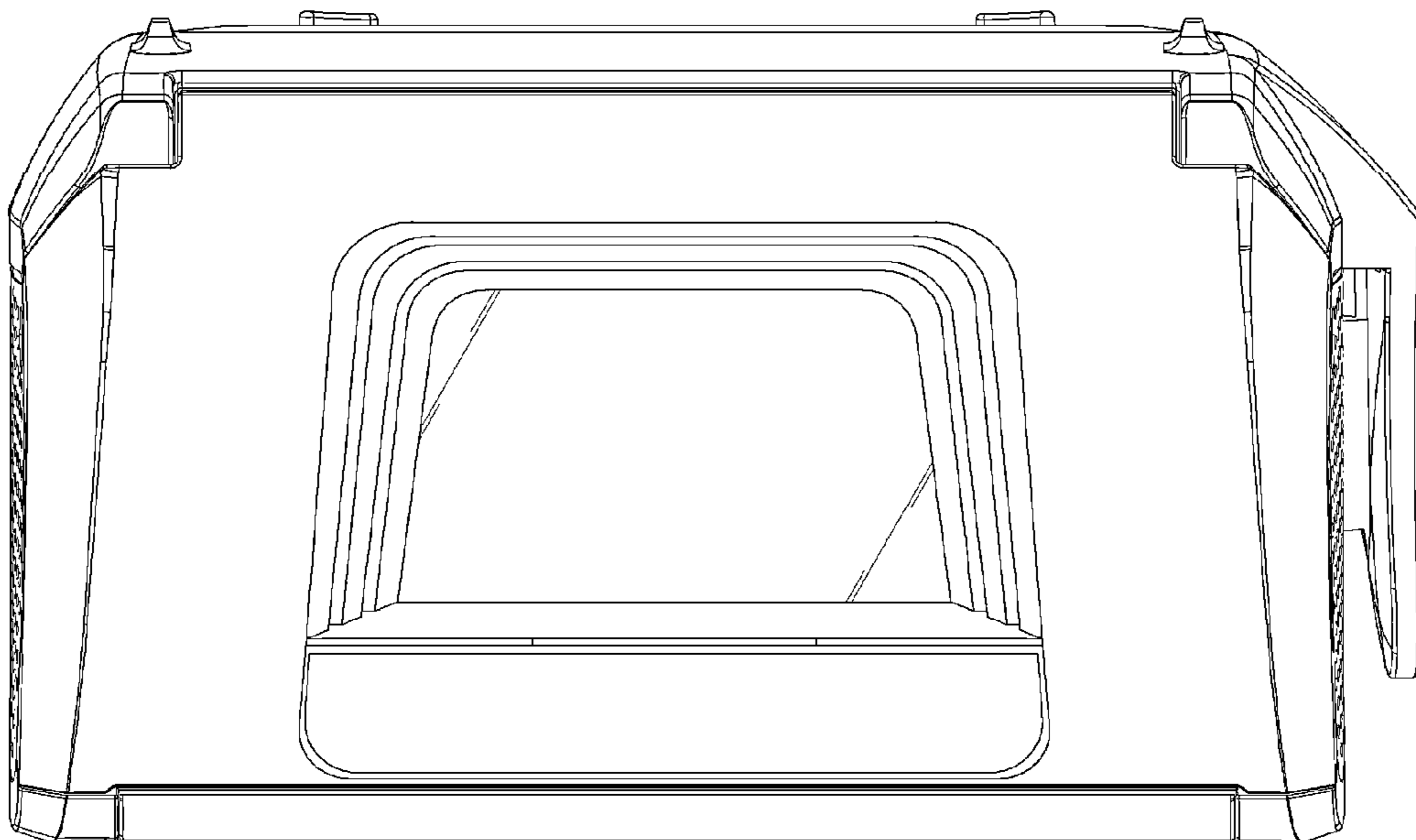


Fig. 7

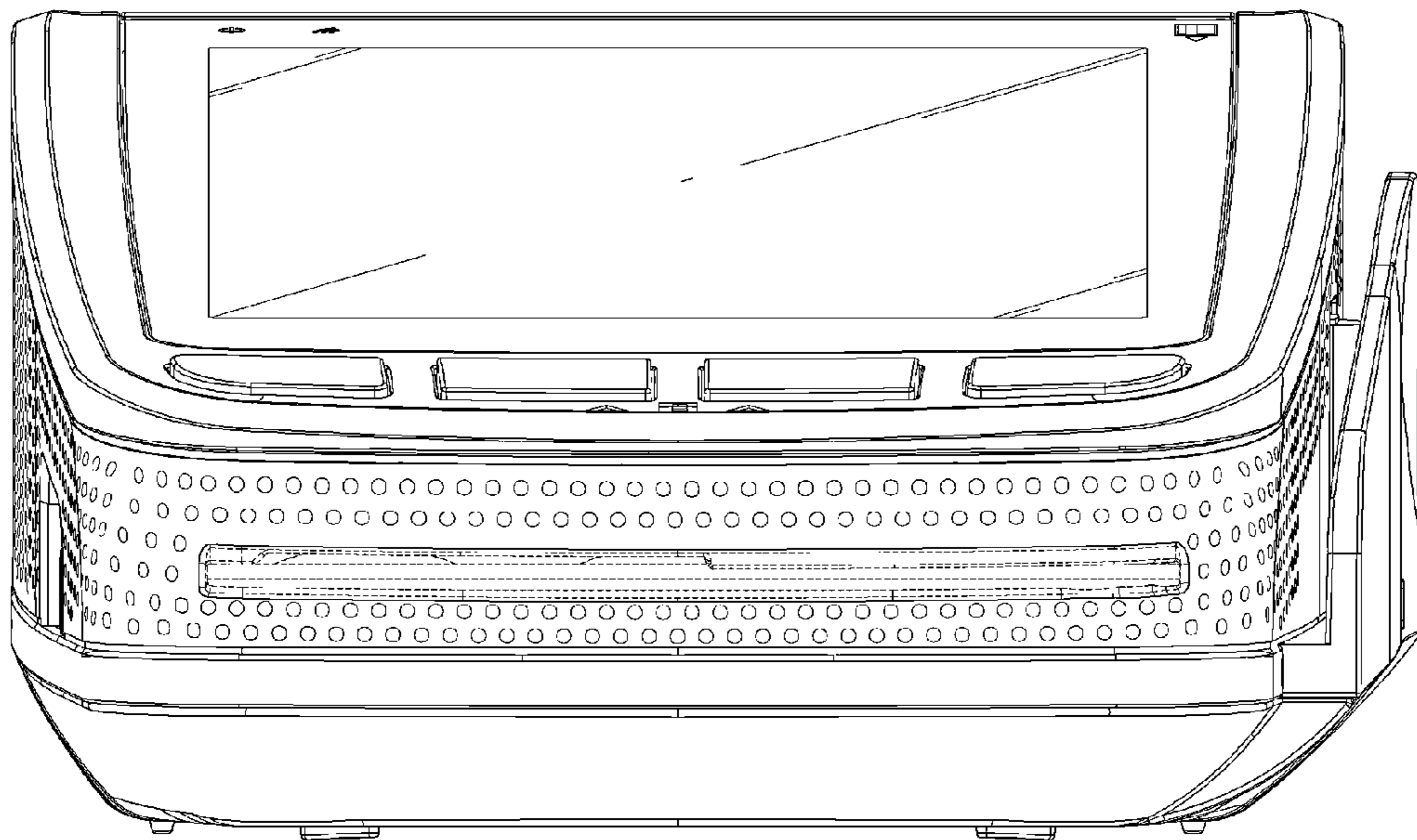




Fig. 8

