



US00D729863S

(12) **United States Design Patent**
Gorsuch et al.

(10) **Patent No.:** **US D729,863 S**

(45) **Date of Patent:** **** May 19, 2015**

(54) **CAMERA MOUNT**

(71) Applicant: **WISCONSIN ARCHERY PRODUCTS LLC**, Mukwonago, WI (US)

(72) Inventors: **Timothy M. Gorsuch**, Mukwonago, WI (US); **Steven K. Hansen**, Port Washington, WI (US); **Gregg R. Matter**, Sussex, WI (US)

(73) Assignee: **Wisconsin Archery Products LLC**, Mukwonago, WI (US)

(**) Term: **14 Years**

(21) Appl. No.: **29/480,885**

(22) Filed: **Jan. 30, 2014**

(51) **LOC (10) Cl.** **16-05**

(52) **U.S. Cl.**
USPC **D16/242**

(58) **Field of Classification Search**
CPC G03B 17/14; G03B 17/26; G03B 17/30; G03B 17/56; G03B 17/561-17/568; G03B 21/54; F16M 11/00; F16M 11/14; F16M 11/26; F16M 11/28; F16M 13/04; H04N 5/2254; F41B 5/14
USPC D16/219, 235, 237-245, 250; D14/217, D14/511; D8/22, 23, 56, 60, 106, 380, 387, D8/394, 395; D22/107, 108
See application file for complete search history.

(56) **References Cited**

U.S. PATENT DOCUMENTS

584,871 A 6/1897 Gordon
1,582,381 A * 4/1926 Citero 248/217.4
D140,011 S * 1/1945 Creedon D16/242
2,375,214 A * 5/1945 Creedon 248/126

D144,840 S * 5/1946 Creedon D16/242
3,136,519 A 6/1964 Spriggle
3,185,422 A 5/1965 Spindler
3,601,598 A * 8/1971 Horn 362/418
3,776,498 A 12/1973 Peters et al.
4,290,219 A 9/1981 Boller et al.
4,296,725 A 10/1981 Broderick
4,470,106 A 9/1984 Norton
4,542,873 A 9/1985 Matherly et al.
4,617,741 A 10/1986 Bordeaux et al.
4,708,221 A 11/1987 Kubiak

(Continued)

OTHER PUBLICATIONS

Do It Yourself Trail Camera Mount. [online] Published Oct. 12, 2013. Retrieved from URL: <<http://cambushcamo.com/blogs/news/9586237-do-it-yourself-trail-camera-mount>>.*

(Continued)

Primary Examiner — Susan Bennett Hattan

Assistant Examiner — Vy Koenig

(74) *Attorney, Agent, or Firm* — Ryan Kromholz & Manion, S.C.

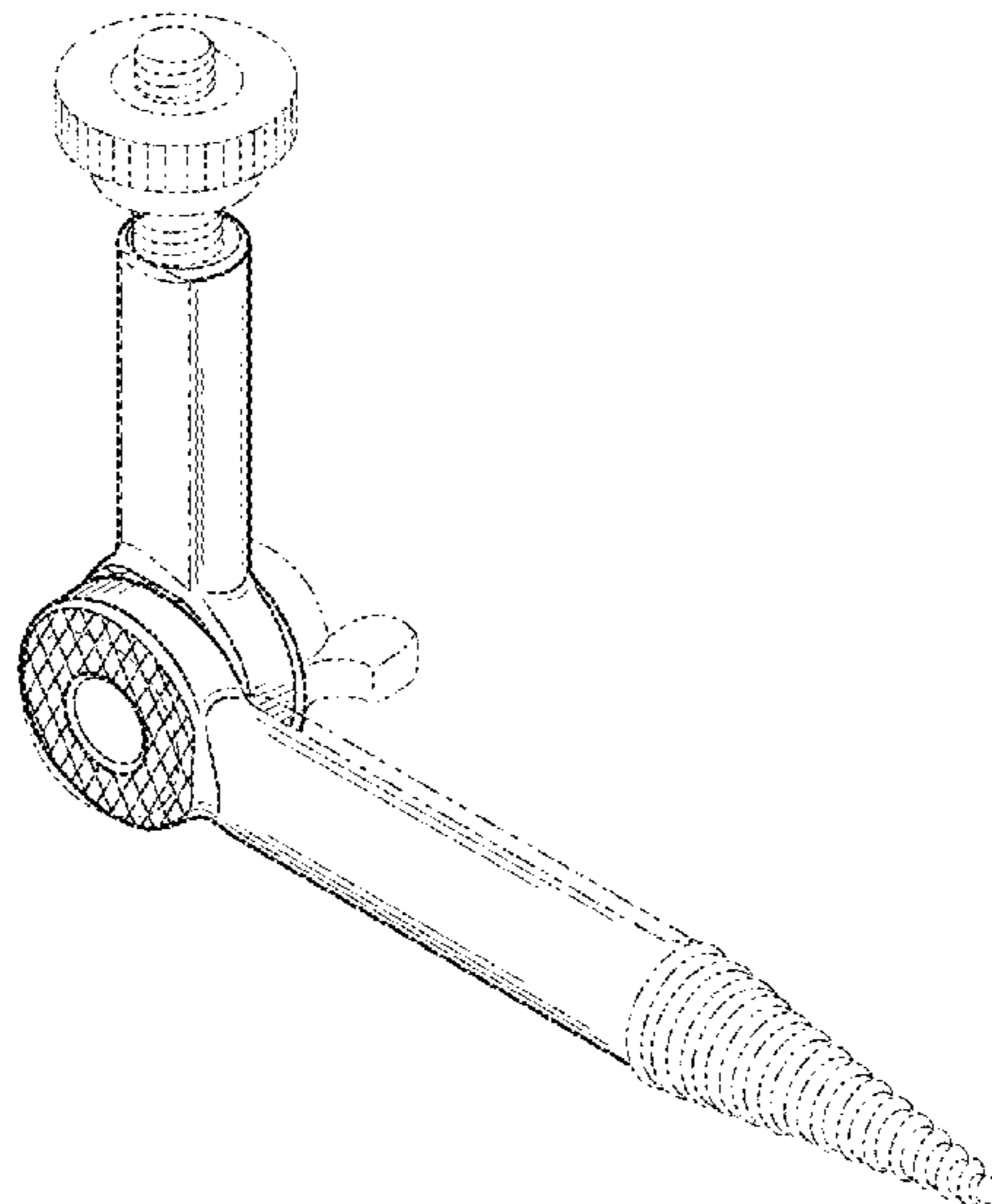
(57) **CLAIM**

The ornamental design for a camera mount, as shown and described.

DESCRIPTION

FIG. 1 is a top perspective view of a camera mount; FIG. 2 is a first side view of the camera mount; FIG. 3 is a second side view of the camera mount; FIG. 4 is a top view of the camera mount; FIG. 5 is a bottom view of the camera mount; FIG. 6 is a front view of the camera mount; and, FIG. 7 is a rear view of the camera mount. The broken lines in the drawings depict portions of the camera mount that form no part of the claimed design.

1 Claim, 2 Drawing Sheets



(56)

References Cited

U.S. PATENT DOCUMENTS

4,722,501 A 2/1988 Ruhl
 4,729,363 A 3/1988 Skyba
 4,744,537 A 5/1988 Buckley
 4,753,528 A 6/1988 Hines et al.
 4,894,921 A 1/1990 Barlow
 5,092,552 A * 3/1992 Dayton et al. 248/280.11
 5,263,675 A 11/1993 Roberts et al.
 5,310,150 A 5/1994 Fecko
 5,310,151 A 5/1994 Engel
 D348,215 S * 6/1994 Melhorn D8/380
 5,442,861 A 8/1995 Lorocco
 5,479,712 A 1/1996 Hargrove et al.
 5,482,241 A 1/1996 Oglesby
 5,484,253 A 1/1996 Johnson
 5,518,083 A 5/1996 Blennert
 5,612,779 A 3/1997 Dunne
 5,619,981 A 4/1997 Breedlove
 5,634,278 A 6/1997 London
 5,652,651 A 7/1997 Dunne
 5,685,103 A 11/1997 Wiggins
 5,692,716 A 12/1997 Himmeisbach
 5,727,760 A 3/1998 Wytovak et al.
 5,769,372 A 6/1998 Klosterman
 5,806,508 A 9/1998 Stempien et al.
 5,857,651 A 1/1999 Kunevicius
 5,926,260 A 7/1999 Dunne et al.
 6,059,240 A 5/2000 Gorsuch
 6,073,352 A 6/2000 Zykan et al.
 6,154,971 A 12/2000 Perkins
 6,191,574 B1 2/2001 Dilger
 6,397,483 B1 6/2002 Perkins
 6,445,444 B2 9/2002 Dunne
 6,478,272 B1 * 11/2002 McKinsey et al. 248/216.1
 6,526,956 B1 3/2003 Hankins
 6,663,065 B1 12/2003 Whittenburg
 6,948,690 B1 9/2005 Sandel
 6,952,881 B2 10/2005 McGivern
 7,162,806 B1 1/2007 Swiggart
 7,296,358 B1 11/2007 Murphy et al.
 7,313,871 B2 1/2008 Lines et al.
 7,513,050 B2 4/2009 Kroening, Jr.
 7,614,156 B1 11/2009 Imig
 7,832,696 B2 * 11/2010 Goodman 248/181.1
 7,861,987 B2 1/2011 Gorsuch et al.
 8,016,134 B1 9/2011 Templin et al.

8,065,807 B2 11/2011 Rucinski
 8,081,298 B1 12/2011 Cross
 D652,287 S * 1/2012 Woller D8/387
 8,100,044 B1 1/2012 Teetzel et al.
 8,201,571 B1 6/2012 Smith
 8,231,095 B2 * 7/2012 Bean 248/323
 8,316,551 B2 11/2012 Gorsuch et al.
 8,511,433 B2 8/2013 Place
 8,561,952 B2 10/2013 Pfeiler
 8,607,497 B2 12/2013 Green
 2003/0038218 A1 2/2003 Eppard et al.
 2005/0021282 A1 1/2005 Sammut et al.
 2005/0229468 A1 10/2005 Zaderey et al.
 2006/0231707 A1 10/2006 Schrot
 2006/0272194 A1 12/2006 Guettner
 2007/0068018 A1 3/2007 Gilmore
 2007/0137088 A1 6/2007 Peters et al.
 2007/0234626 A1 10/2007 Murdock et al.
 2007/0277421 A1 12/2007 Perkins et al.
 2008/0039962 A1 2/2008 McRae
 2008/0107414 A1 5/2008 Showalter
 2009/0078500 A1 3/2009 Wydner et al.
 2009/0205239 A1 8/2009 Smith, III
 2009/0321186 A1 12/2009 Louchart
 2011/0296699 A1 12/2011 Maissonneuve et al.
 2012/0046100 A1 2/2012 Román et al.

OTHER PUBLICATIONS

Slate River LLC Camera Mounts Product List, www.slateriverllc.com/camera_mounts.html, printed Mar. 5, 2014.
 EZ-Aim Game Camera Mount, www.slateriverllc.myshopify.com, printed Mar. 5, 2014.
 EZ-Aim Ratchet Strap Game Camera Mount, www.slateriverllc.myshopify.com, printed Mar. 5, 2014.
 EZ-Aim T Post Game Camera Mount, www.slateriverllc.myshopify.com, printed Mar. 5, 2014.
 EZ-Aim Stick on Adaptor, www.slateriverllc.myshopify.com, printed Mar. 5, 2014.
 Camera Arm with T Handle Mount www.slateriverllc.myshopify.com, printed Mar. 5, 2014.
 Camera Arm with Bear Claw Mount, www.slateriverllc.myshopify.com, printed Mar. 5, 2014.
 Screw in T Handle Mount, www.slateriverllc.myshopify.com, printed Mar. 5, 2014.

* cited by examiner

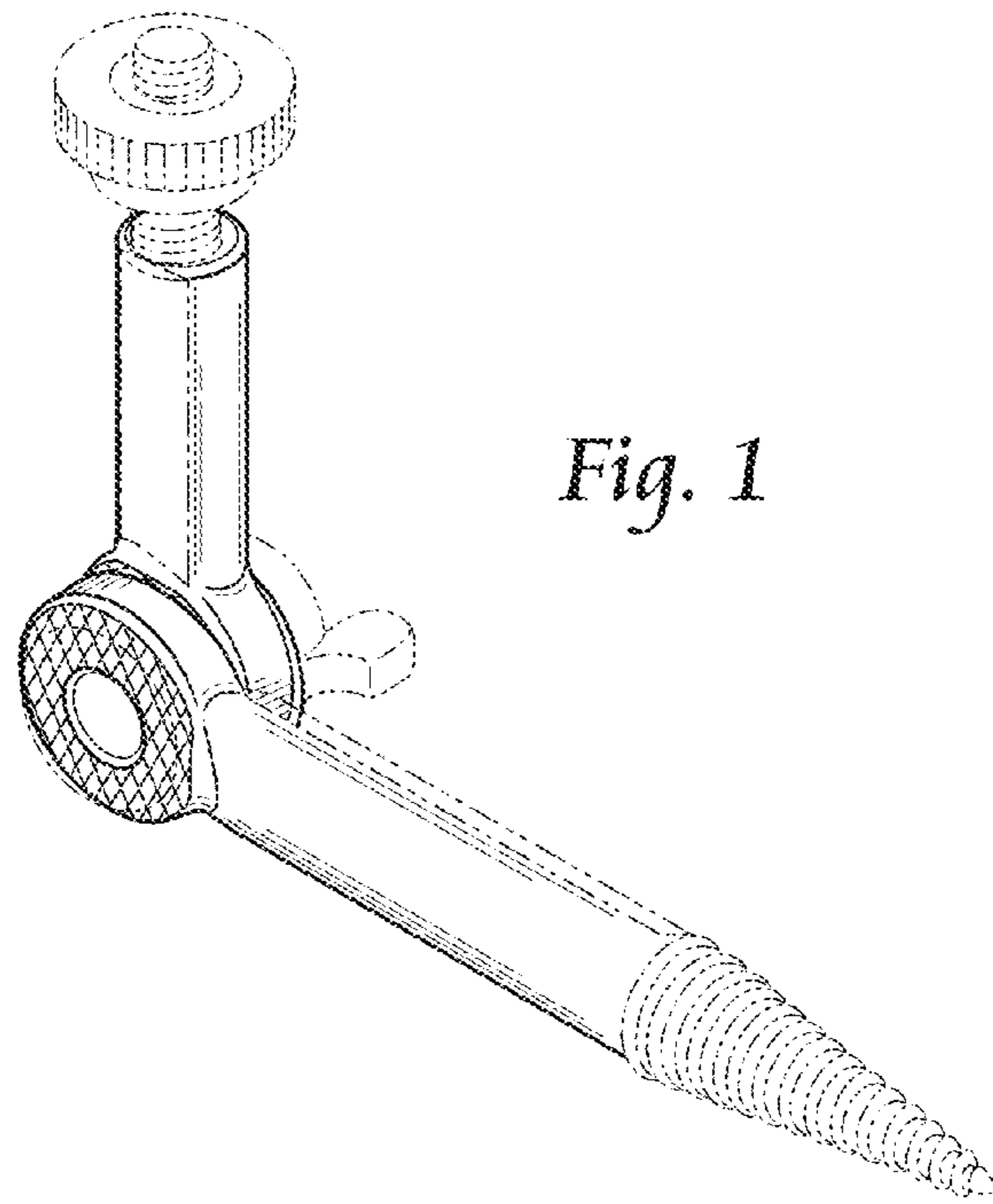


Fig. 1

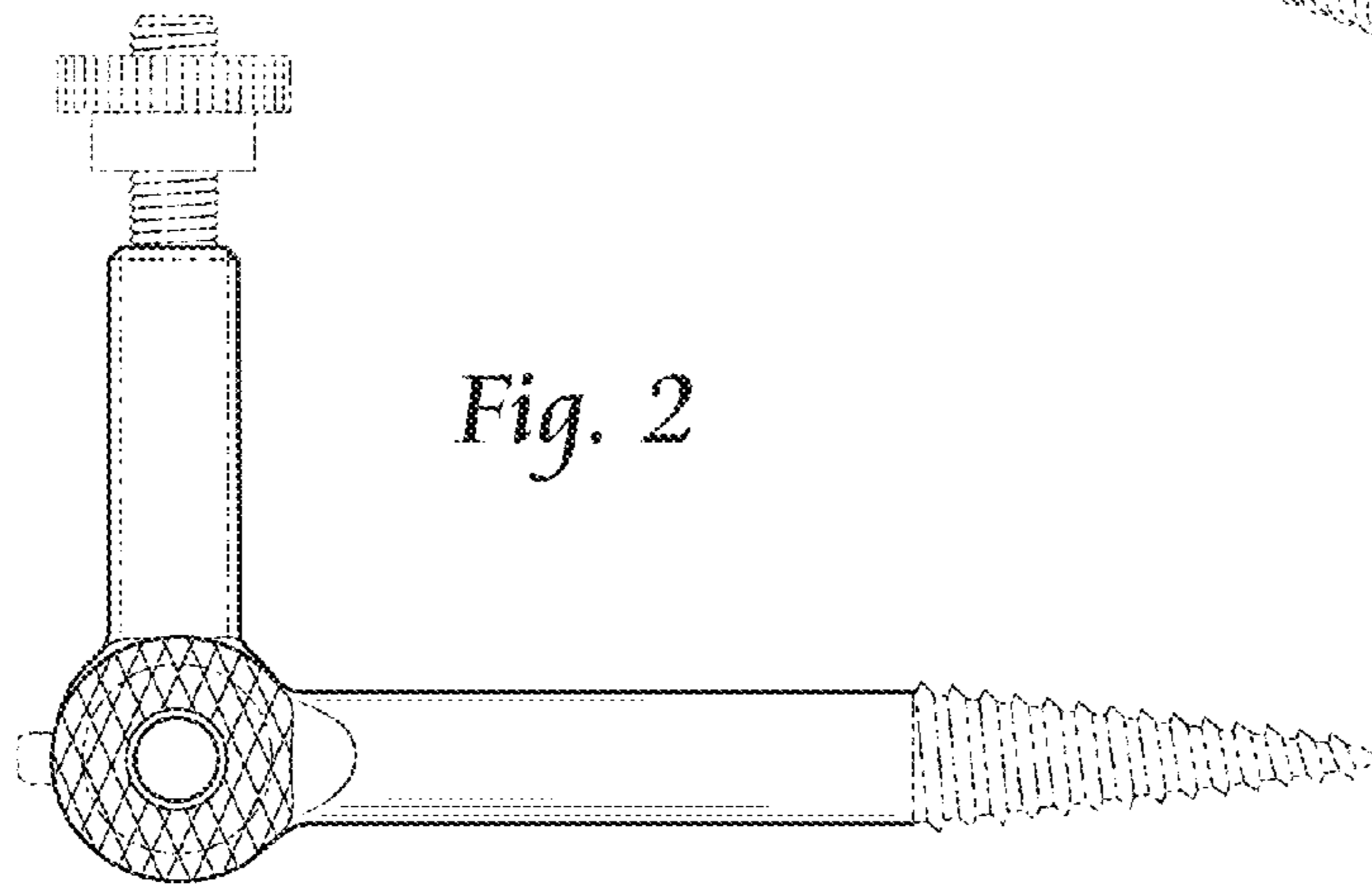


Fig. 2

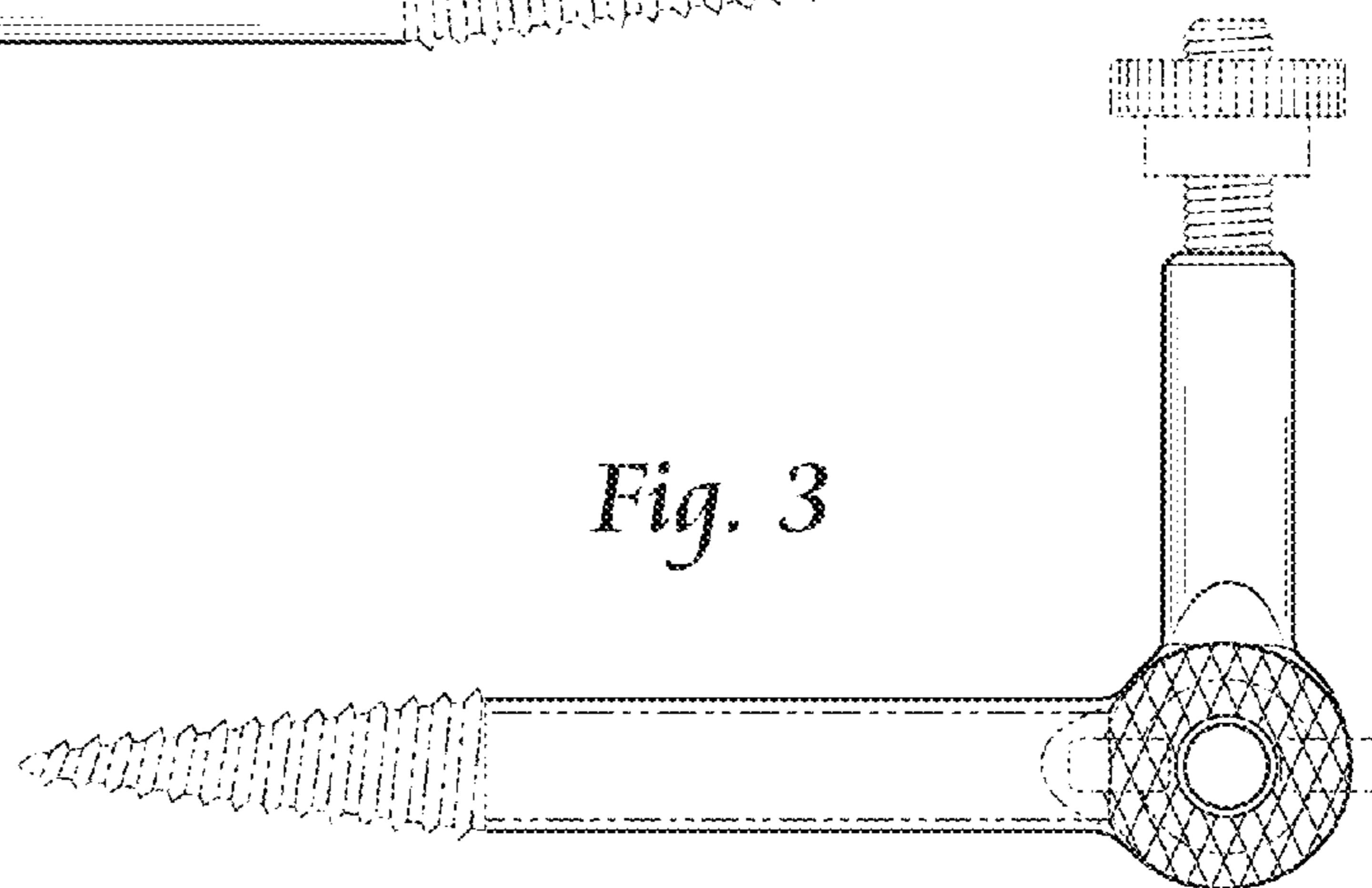


Fig. 3

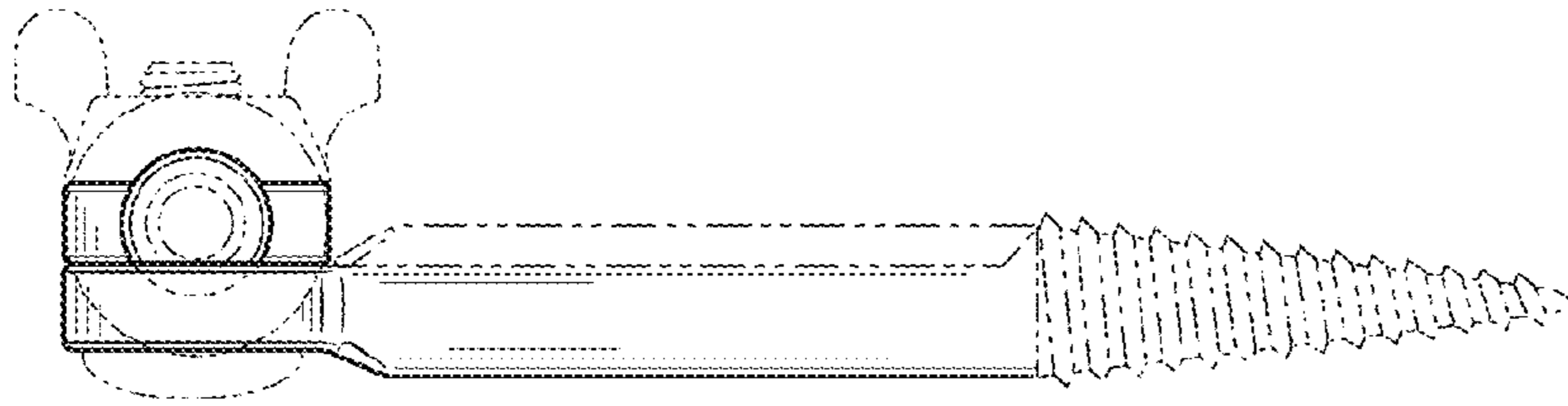


Fig. 4

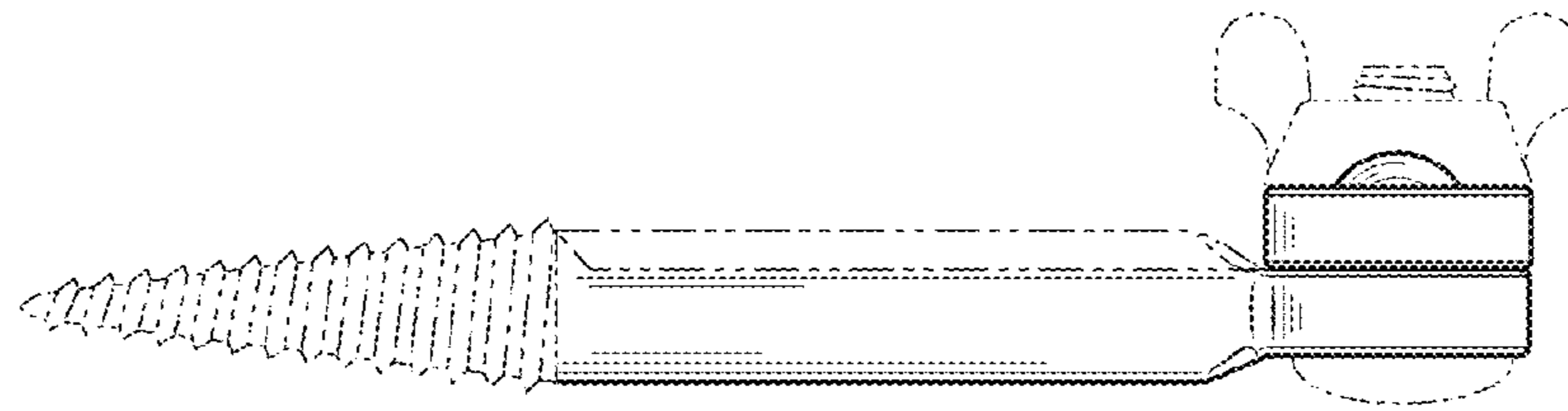


Fig. 5

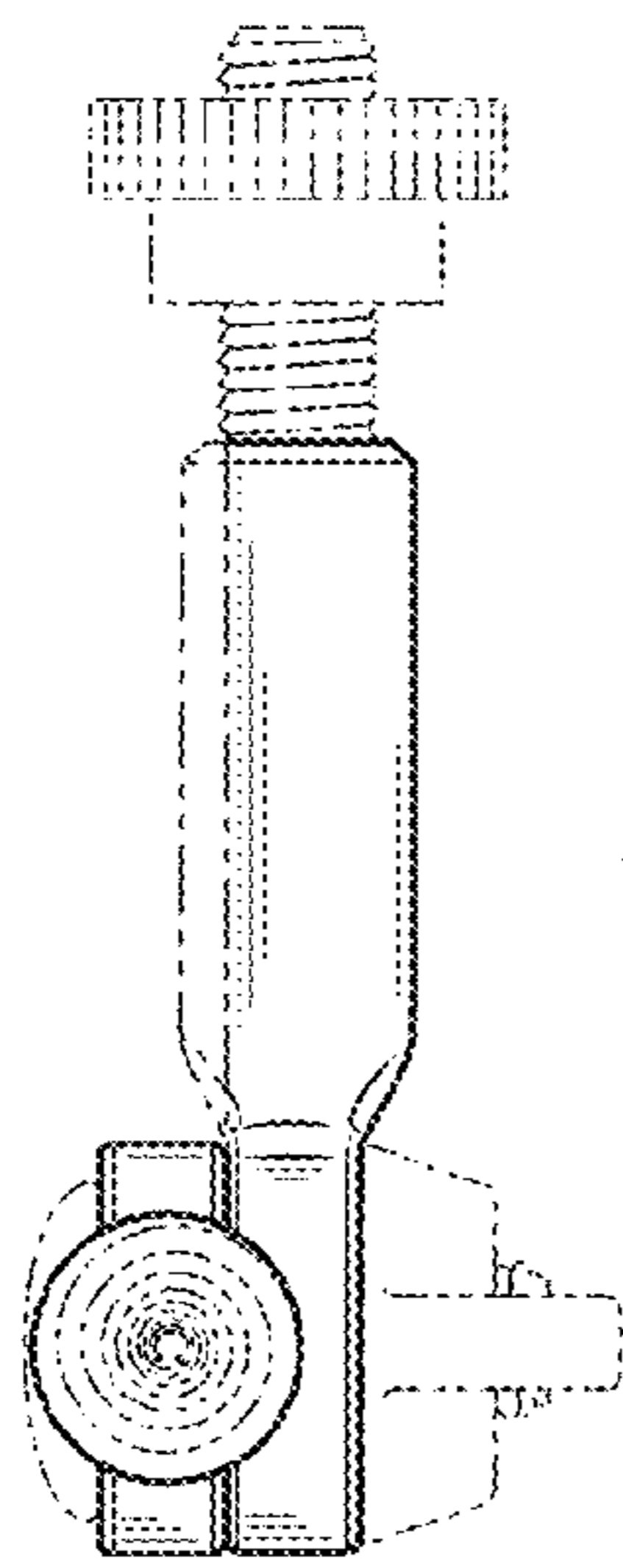


Fig. 6

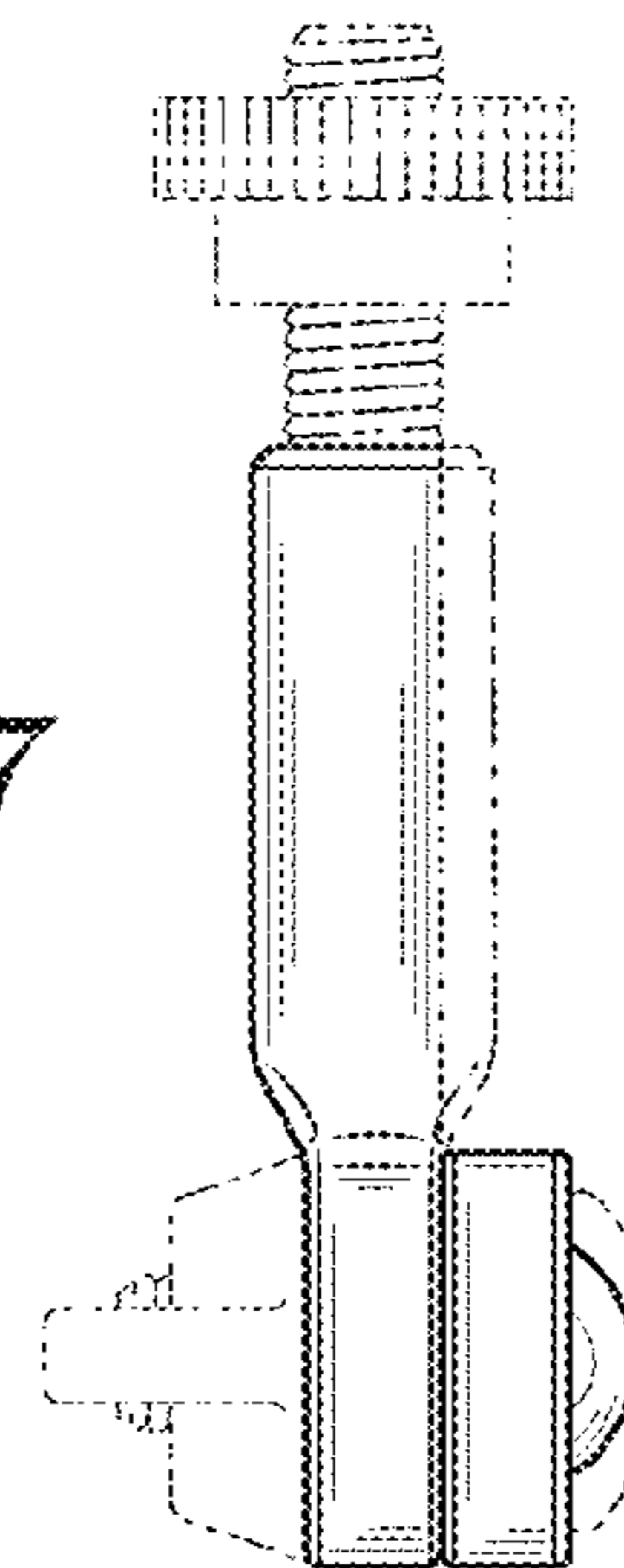


Fig. 7