



US00D729862S

(12) **United States Design Patent**
Awazu et al.

(10) **Patent No.:** **US D729,862 S**
(45) **Date of Patent:** **** May 19, 2015**

(54) **LENS FOR CAMERA**

D559,884 S * 1/2008 Tokiwa D16/219
7,853,137 B2 * 12/2010 Yang 396/71
8,002,483 B2 * 8/2011 Fujiwara et al. 396/531

(71) Applicant: **FUJIFILM CORPORATION**,
Minato-ku, Tokyo (JP)

(Continued)

(72) Inventors: **Kouhei Awazu**, Saitama (JP); **Nobuyuki Kondou**, Saitama (JP)

FOREIGN PATENT DOCUMENTS

(73) Assignee: **FUJIFILM Corporation**, Tokyo (JP)

JP 09211645 A 8/1997
JP 2009258399 A 11/2009

(**) Term: **14 Years**

(Continued)

(21) Appl. No.: **29/441,201**

Notification of Reasons for Refusal, dated Jan. 9, 2013, issued in corresponding JP Application No. 2012-015693, 4 pages in English and Japanese.

(22) Filed: **Jan. 2, 2013**

(Continued)

(30) **Foreign Application Priority Data**

Jul. 3, 2012 (JP) 2012-015693

Primary Examiner — Adir Aronovich
Assistant Examiner — Ramzi Almatrahi

(51) **LOC (10) CL.** **16-05**

(74) *Attorney, Agent, or Firm* — Sughrue Mion, PLLC

(52) **U.S. CL.**
USPC **D16/219**

(57) **CLAIM**

(58) **Field of Classification Search**
CPC G03B 17/02; G03B 19/04; G03B 17/56;
G03B 17/04; G03B 15/03; G03B 17/14;
H04N 5/2251; H04N 5/2252; H04N 5/2253;
H04N 5/2254; G02B 7/02; G02B 7/04;
G02B 7/14
USPC D16/134, 136, 200, 202–205, 218, 219,
D16/242; 348/373–376; 359/826–828;
396/505, 529–532, 535, 539–541
See application file for complete search history.

The ornamental design for a lens for camera, as shown and described.

DESCRIPTION

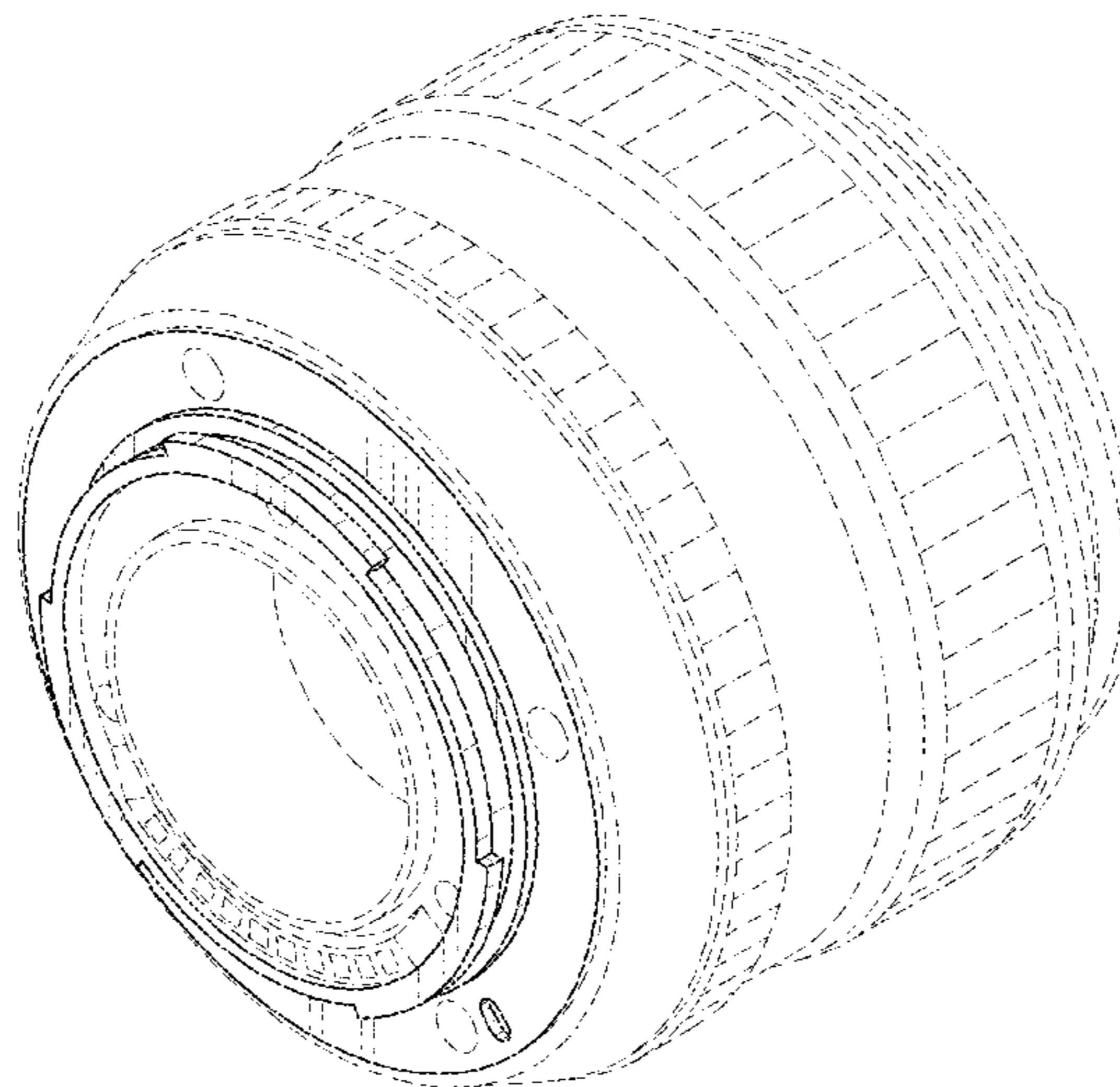
(56) **References Cited**

U.S. PATENT DOCUMENTS

D235,578 S * 6/1975 Miyake et al. D16/136
D248,766 S * 8/1978 Arai D16/134
5,262,899 A * 11/1993 Iizuka 359/811
D537,096 S * 2/2007 Tokiwa et al. D16/219
D537,461 S * 2/2007 Tokiwa et al. D16/219
D550,745 S * 9/2007 Watanabe D16/219

FIG. 1 is a top, rear and left side perspective view of a lens for camera showing our new design;
FIG. 2 is a front elevational view thereof;
FIG. 3 is a rear elevational view thereof;
FIG. 4 is a top plan view thereof;
FIG. 5 is a bottom plan view thereof;
FIG. 6 is a left side elevational view thereof;
FIG. 7 is a right side elevational view thereof; and,
FIG. 8 is a top, front and left side perspective view thereof, showing the lens for camera in an environment wherein the lens for camera is combined with a camera.
The broken lines in the drawings are included for the purpose of illustrating environmental subject matter and form no part of the claimed design.

1 Claim, 8 Drawing Sheets



(56)

References Cited

U.S. PATENT DOCUMENTS

D670,751 S * 11/2012 Koyama et al. D16/219
D688,292 S * 8/2013 Koyama et al. D16/219
D692,475 S * 10/2013 Hasuda D16/219
D696,709 S * 12/2013 Sato D16/219

FOREIGN PATENT DOCUMENTS

JP 2011028243 A 2/2011
JP 1444512 S 6/2012
JP 1456035 S 11/2012
JP 1456462 S 11/2012

OTHER PUBLICATIONS

Japanese catalog published by Canon Inc., dated Feb. 2007, "Canon EF-S Lenses," received by the National Center for Industrial Property Information and Training on Aug. 24, 2007 (Japan Catalog File of 2007 No. 207), 8 pages.

English translation of Bibliographic Data for Japanese Design Registration No. D1456462, 1 page.

English translation of Bibliographic Data for Japanese Design Registration No. D1456035, 1 page.

English translation of Bibliographic Data for Japanese Design Registration No. D1444512, 1 page.

Decision of Refusal, dated Jul. 24, 2013, issued in corresponding JP Application No. 2012-015693, 4 pages in English and Japanese.

* cited by examiner

FIG. 1

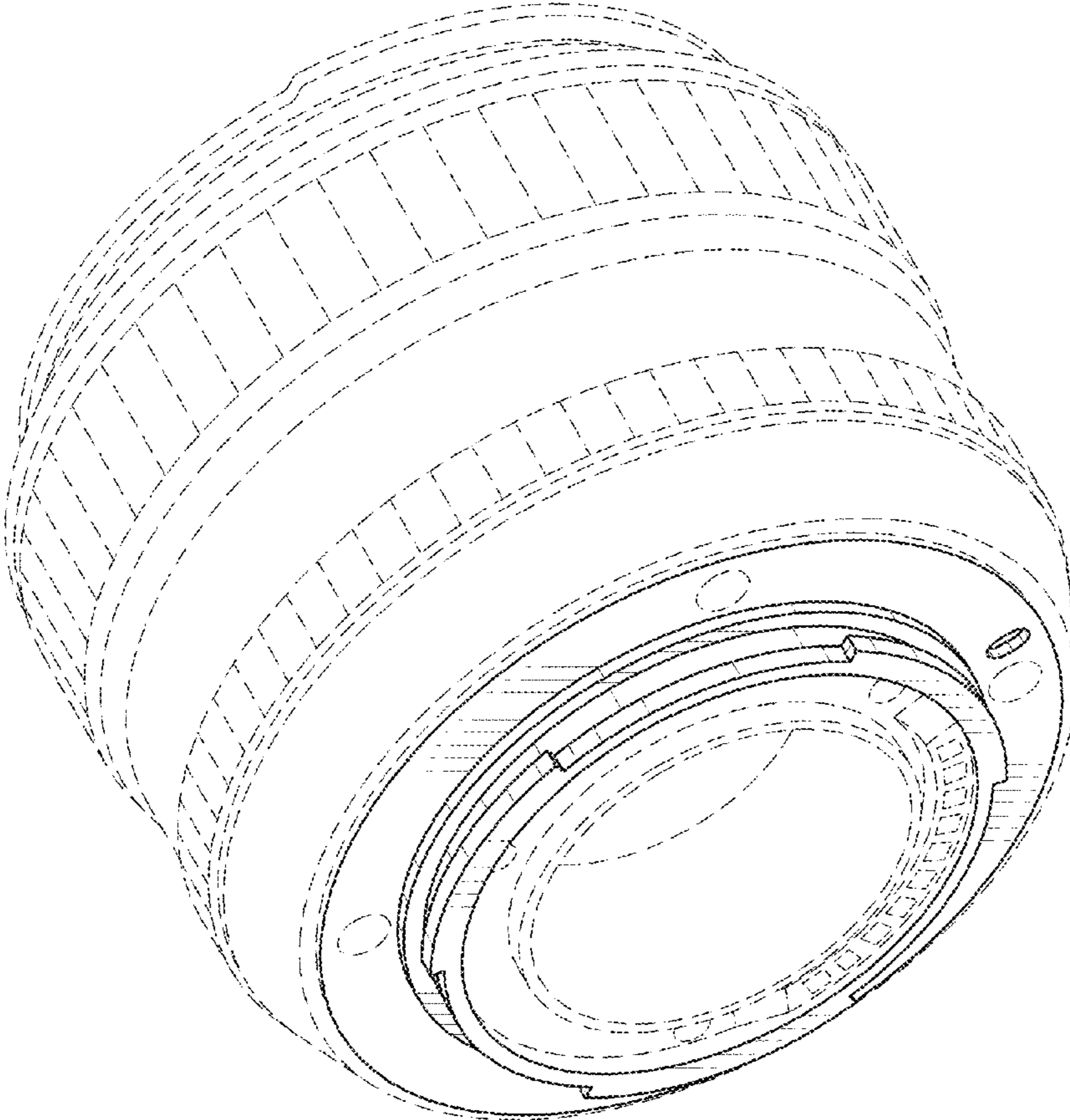


FIG. 2

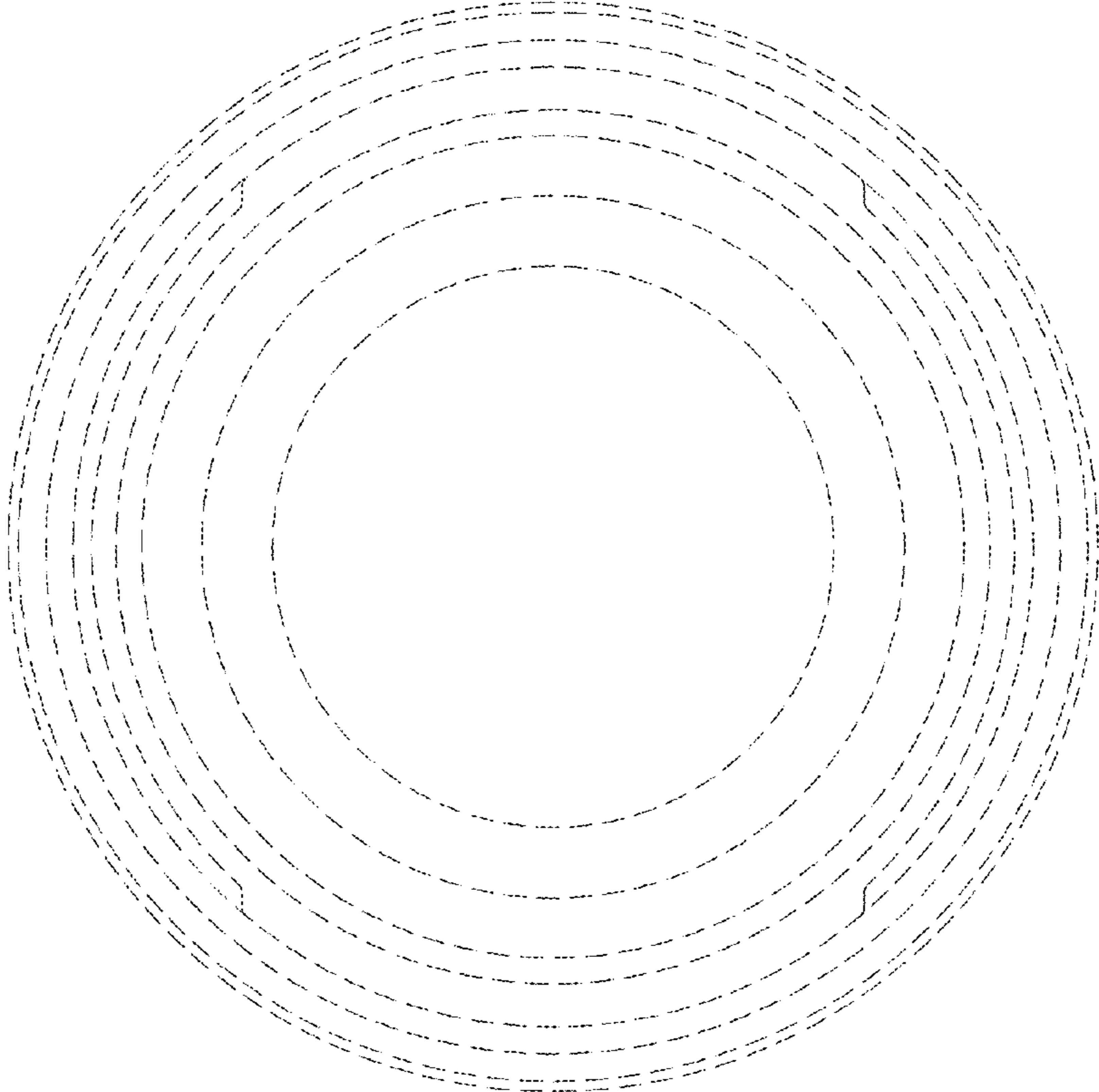


FIG. 3

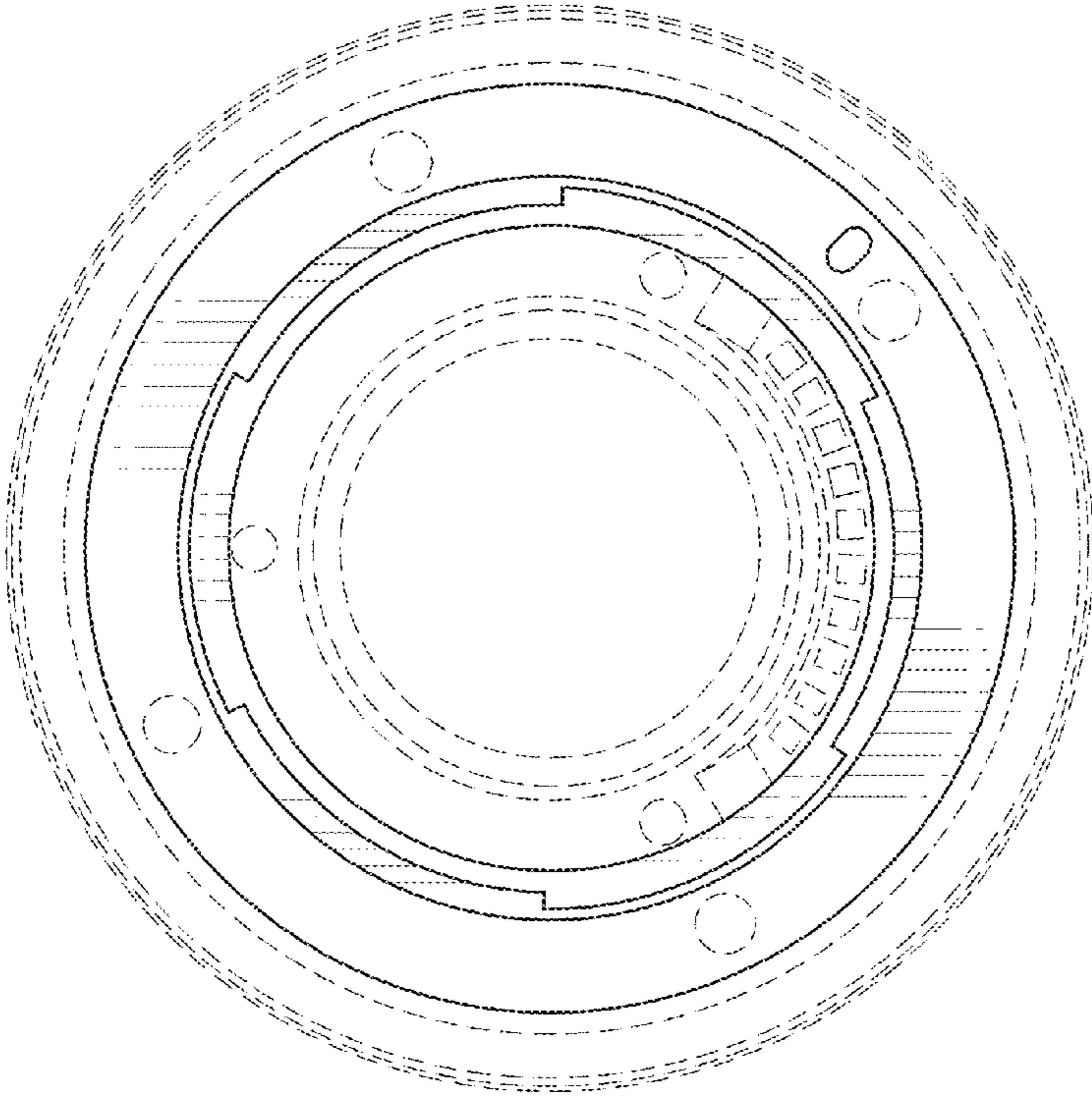


FIG. 4

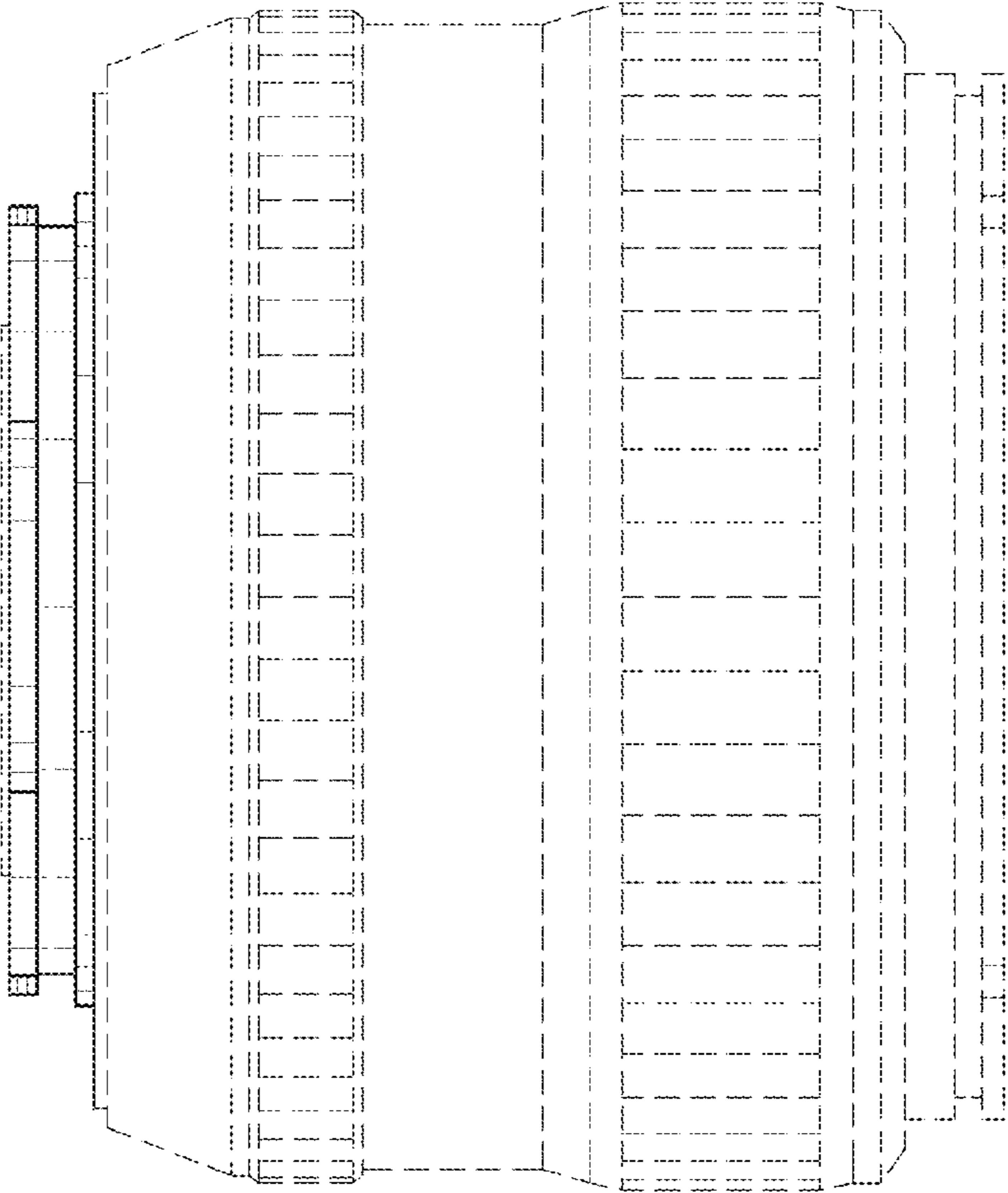


FIG. 5

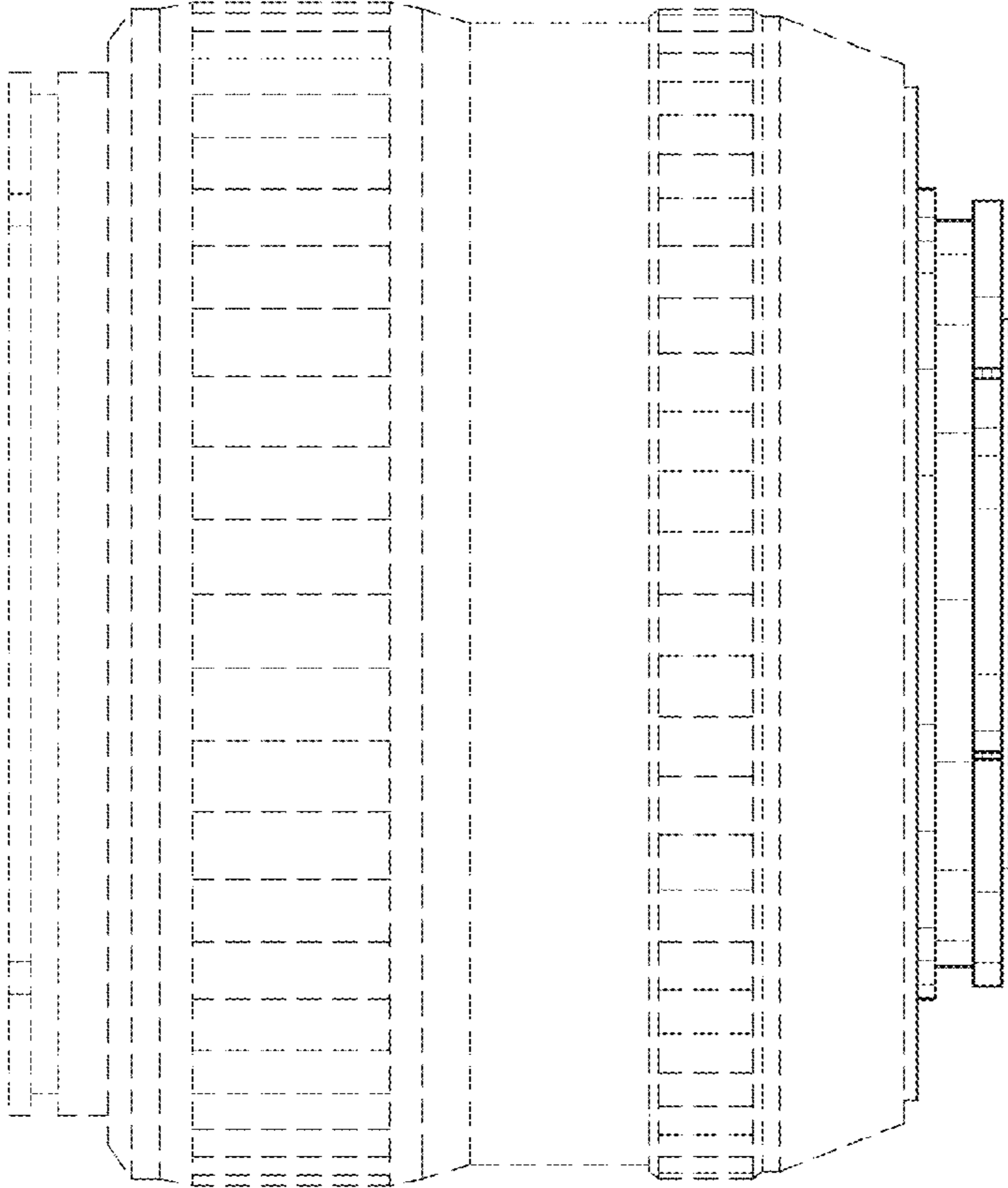


FIG. 6

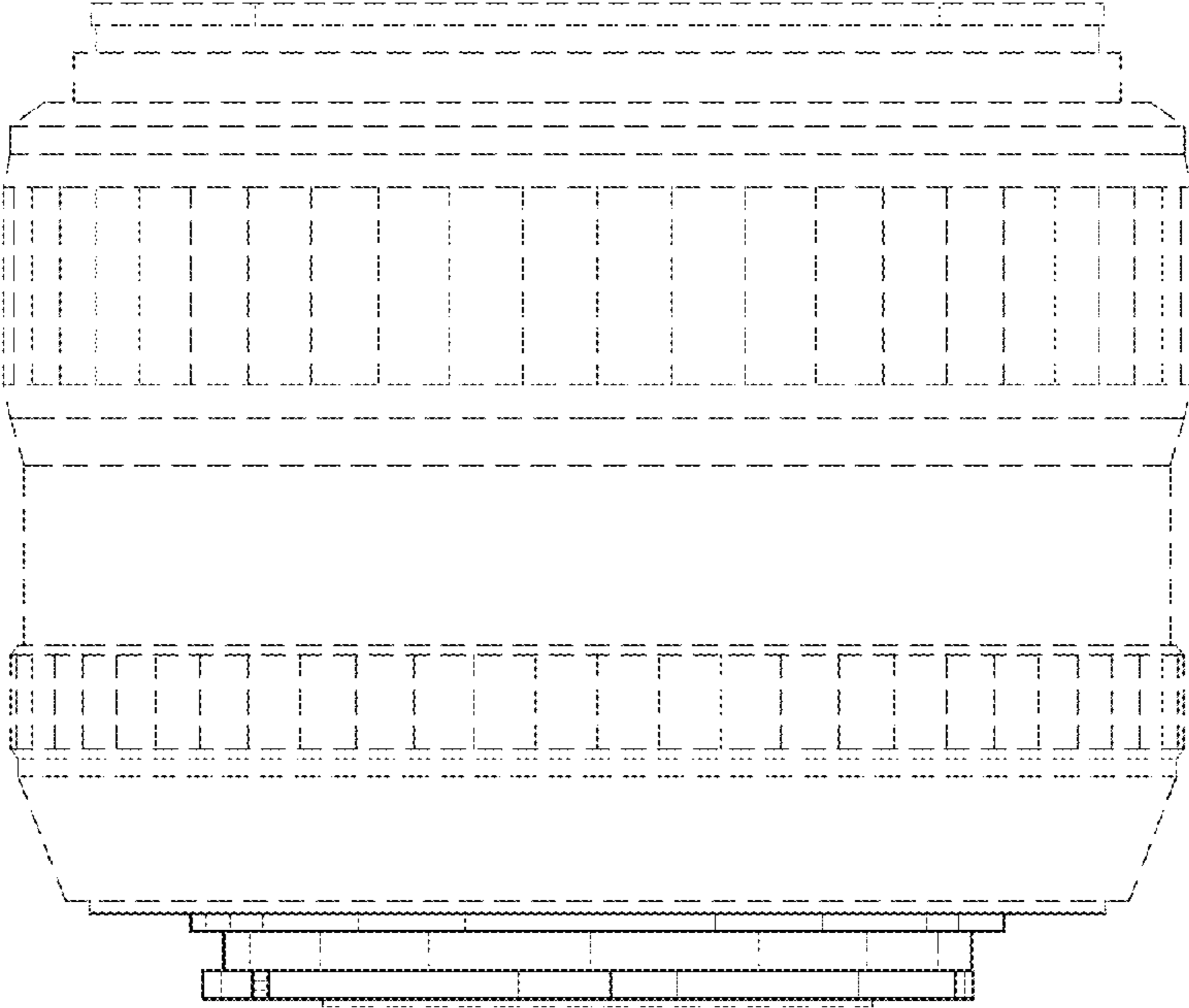


FIG. 7

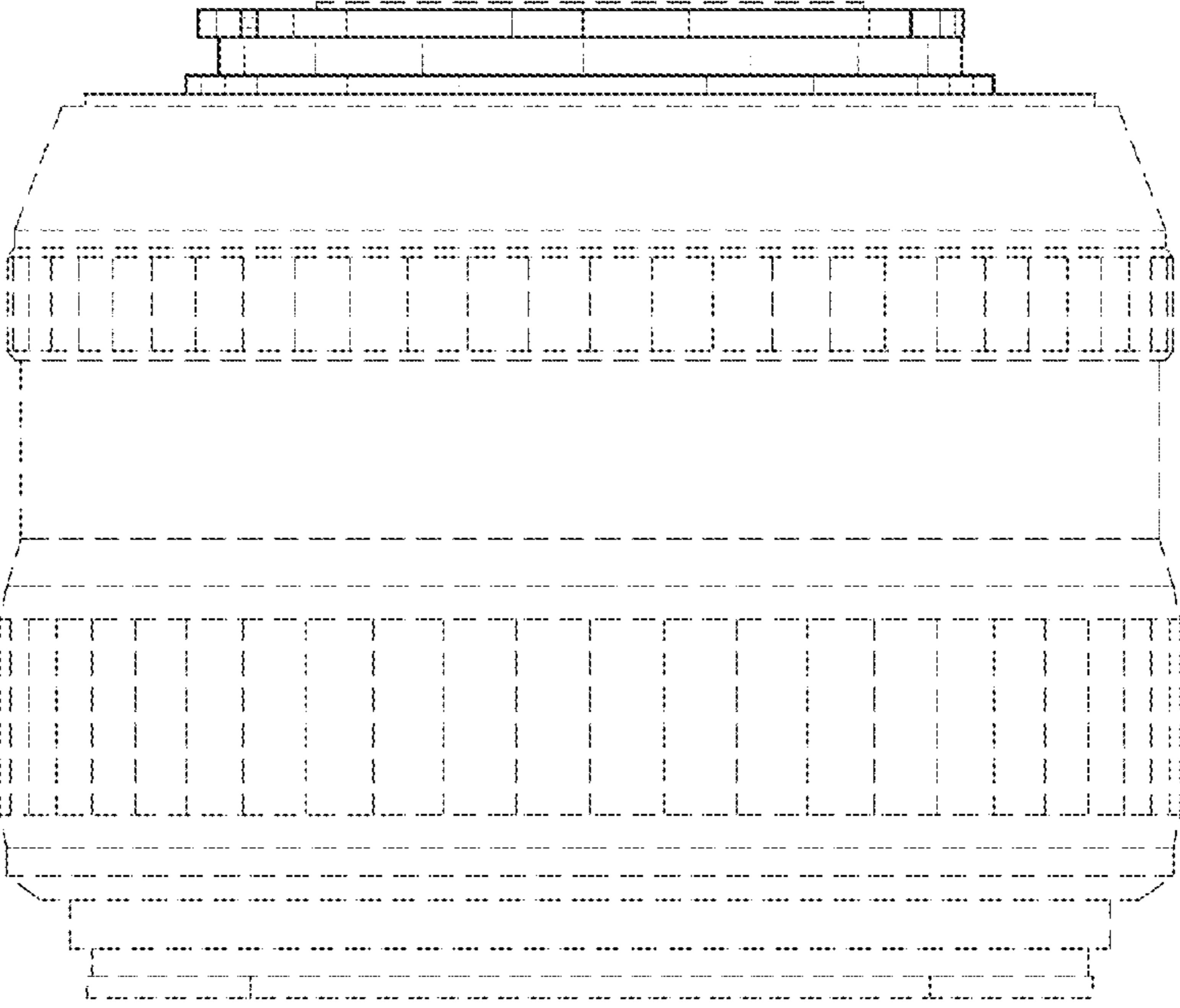


FIG. 8

