



US00D729860S

(12) **United States Design Patent**
Schmidt et al.

(10) **Patent No.:** **US D729,860 S**
(45) **Date of Patent:** **** May 19, 2015**

(54) **CAMERA**

(71) Applicant: **Lyve Minds, Inc.**, Cupertino, CA (US)

(72) Inventors: **Peter O. Schmidt**, San Jose, CA (US);
Mihnea Calin Pacurariu, Los Gatos,
CA (US); **David Hoenig**, Cupertino, CA
(US); **Andreas von Sneidern**, San Jose,
CA (US); **Jeanette Marie Numbers**,
Providence, RI (US); **Gregor**
Mittersinker, Warwick, RI (US)

(73) Assignee: **Lyve Minds, Inc.**, Cupertino, CA (US)

(**) Term: **14 Years**

(21) Appl. No.: **29/478,353**

(22) Filed: **Jan. 3, 2014**

(51) **LOC (10) Cl.** **16-01**

(52) **U.S. Cl.**
USPC **D16/203**

(58) **Field of Classification Search**
CPC G03B 15/03; G03B 17/02; G03B 17/04;
G03B 17/56; G03B 19/04; H04N 5/2251;
H04N 5/2252; H04N 5/2253; H04N 5/2254;
H04N 2101/00
USPC D16/200, 202–208, 210, 218, 219;
348/143, 148, 151, 373–376; 396/419,
396/427, 535–541
See application file for complete search history.

(56) **References Cited**

U.S. PATENT DOCUMENTS

D474,276 S * 5/2003 Greise et al. D16/219
6,637,952 B2 * 10/2003 Arbuckle et al. 396/427

| | | | |
|-------------------|---------|---------------------|---------|
| D484,159 S * | 12/2003 | Cheng | D16/203 |
| D528,576 S * | 9/2006 | Chung et al. | D16/202 |
| D529,528 S * | 10/2006 | Ross et al. | D16/200 |
| D551,275 S * | 9/2007 | Kim | D16/203 |
| D556,234 S * | 11/2007 | Pena Angarita | D16/203 |
| D582,460 S * | 12/2008 | Yoo et al. | D16/203 |
| D600,731 S * | 9/2009 | Lee et al. | D16/203 |
| D621,435 S * | 8/2010 | Green et al. | D16/219 |
| D631,495 S * | 1/2011 | Lee et al. | D16/202 |
| D638,870 S * | 5/2011 | Kim et al. | D16/202 |
| D640,721 S * | 6/2011 | Satine | D16/204 |
| D673,987 S * | 1/2013 | Mirrer | D16/202 |
| D687,875 S * | 8/2013 | Sasaki | D16/202 |
| D694,797 S * | 12/2013 | Parker | D16/203 |
| 2007/0223915 A1 * | 9/2007 | Yi | 396/535 |

* cited by examiner

Primary Examiner — Adir Aronovich

Assistant Examiner — Ramzi Almatrahi

(74) *Attorney, Agent, or Firm* — Maschoff Brennan

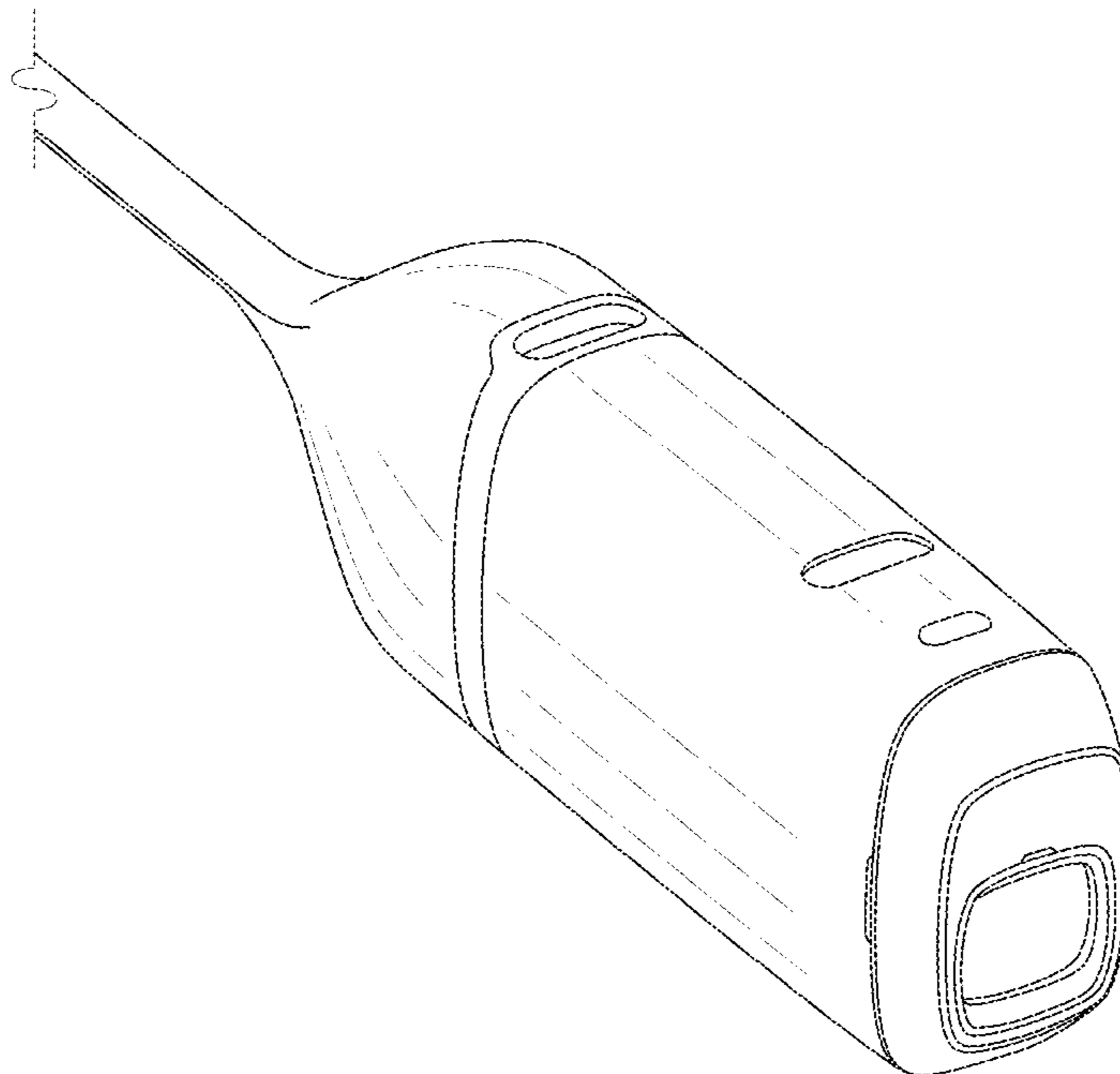
(57) **CLAIM**

The ornamental design for a camera, as shown and described.

DESCRIPTION

FIG. 1 is a bottom perspective view of a camera showing our new design;
FIG. 2 is a top perspective view thereof;
FIG. 3 is a left side elevation view thereof;
FIG. 4 is a front elevation view thereof;
FIG. 5 is a right side elevation view thereof;
FIG. 6 is a rear elevation view thereof;
FIG. 7 is a top plan view thereof; and,
FIG. 8 is a bottom plan view thereof.

1 Claim, 5 Drawing Sheets



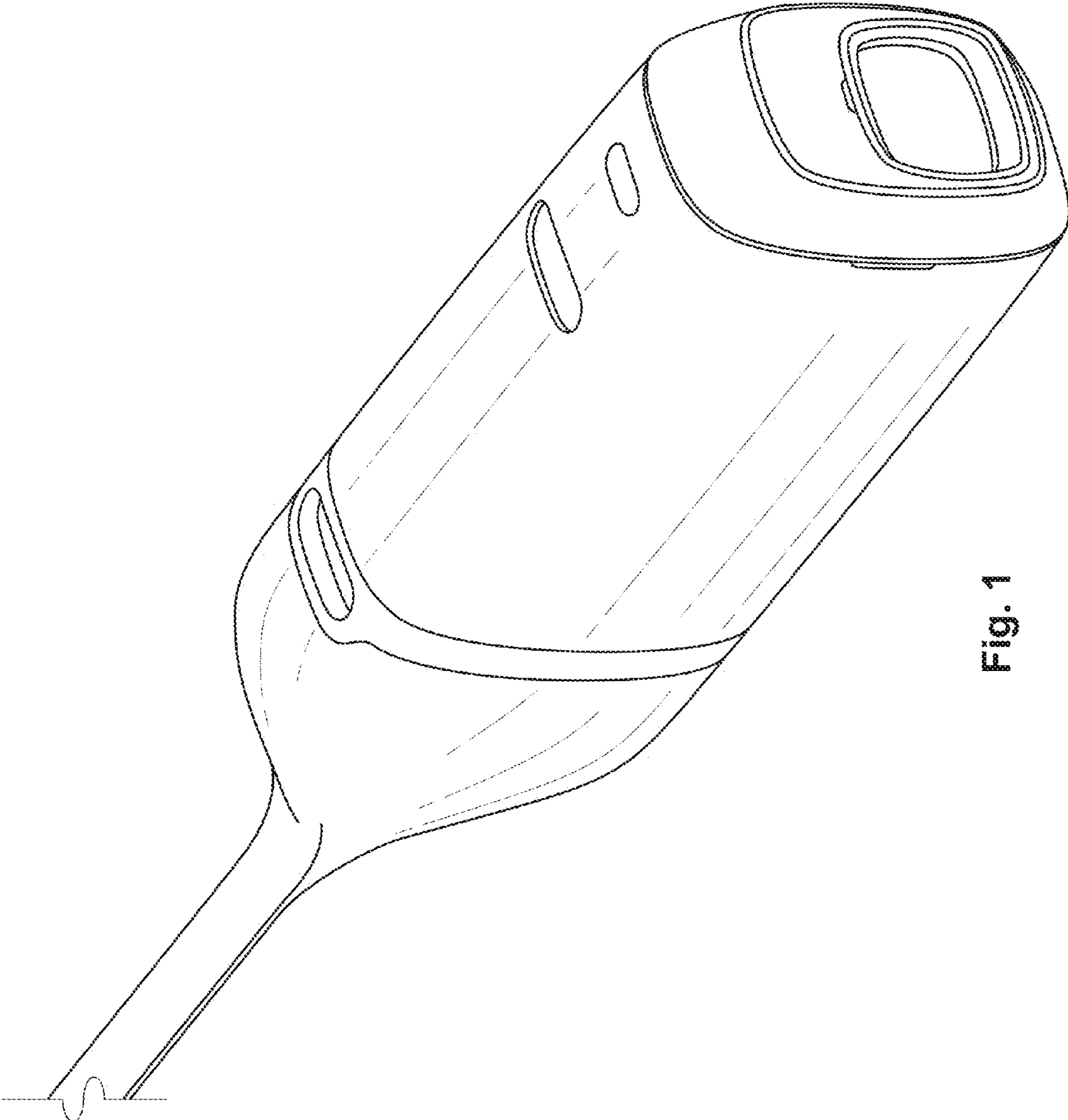


Fig. 1

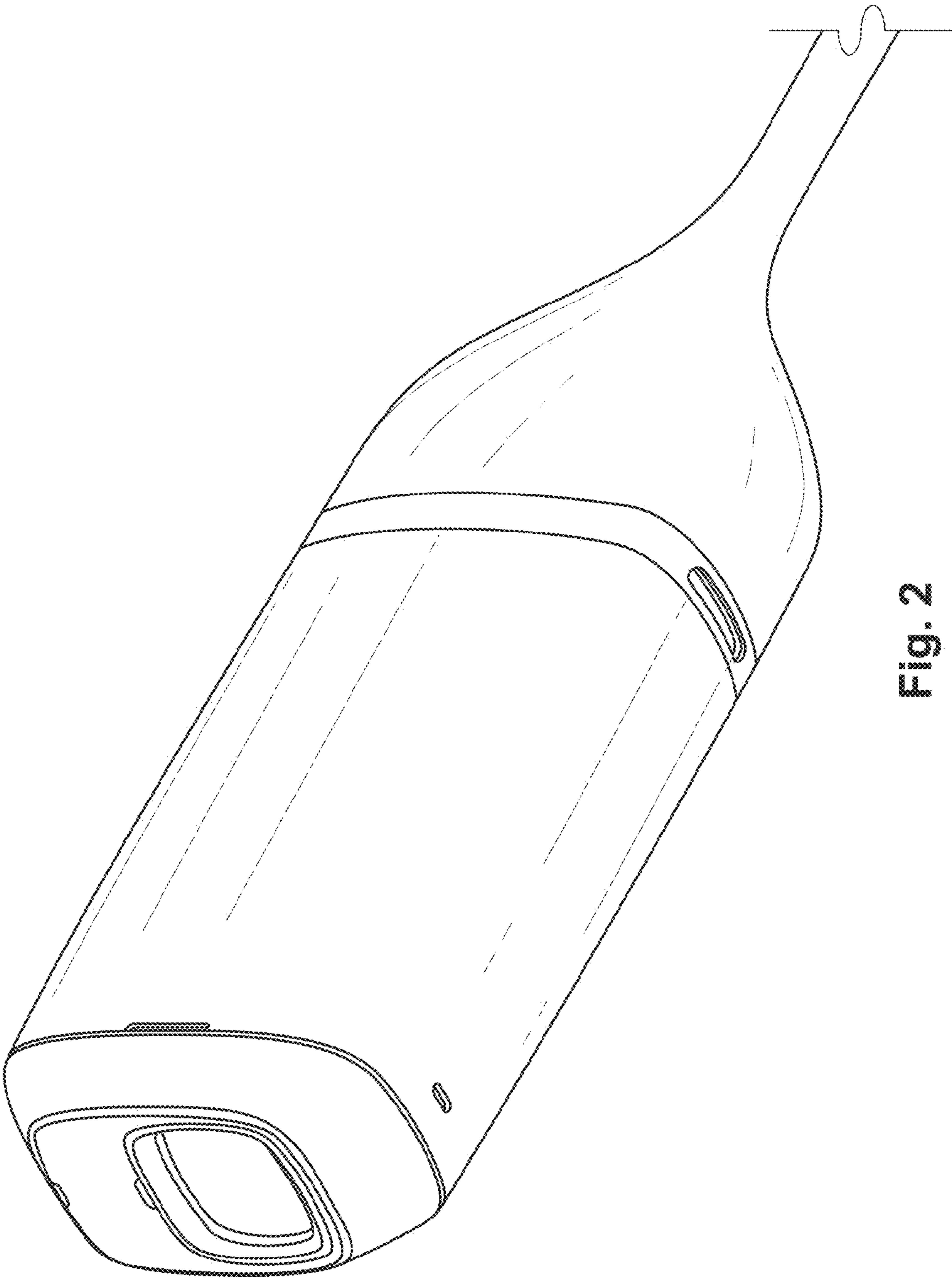


Fig. 2

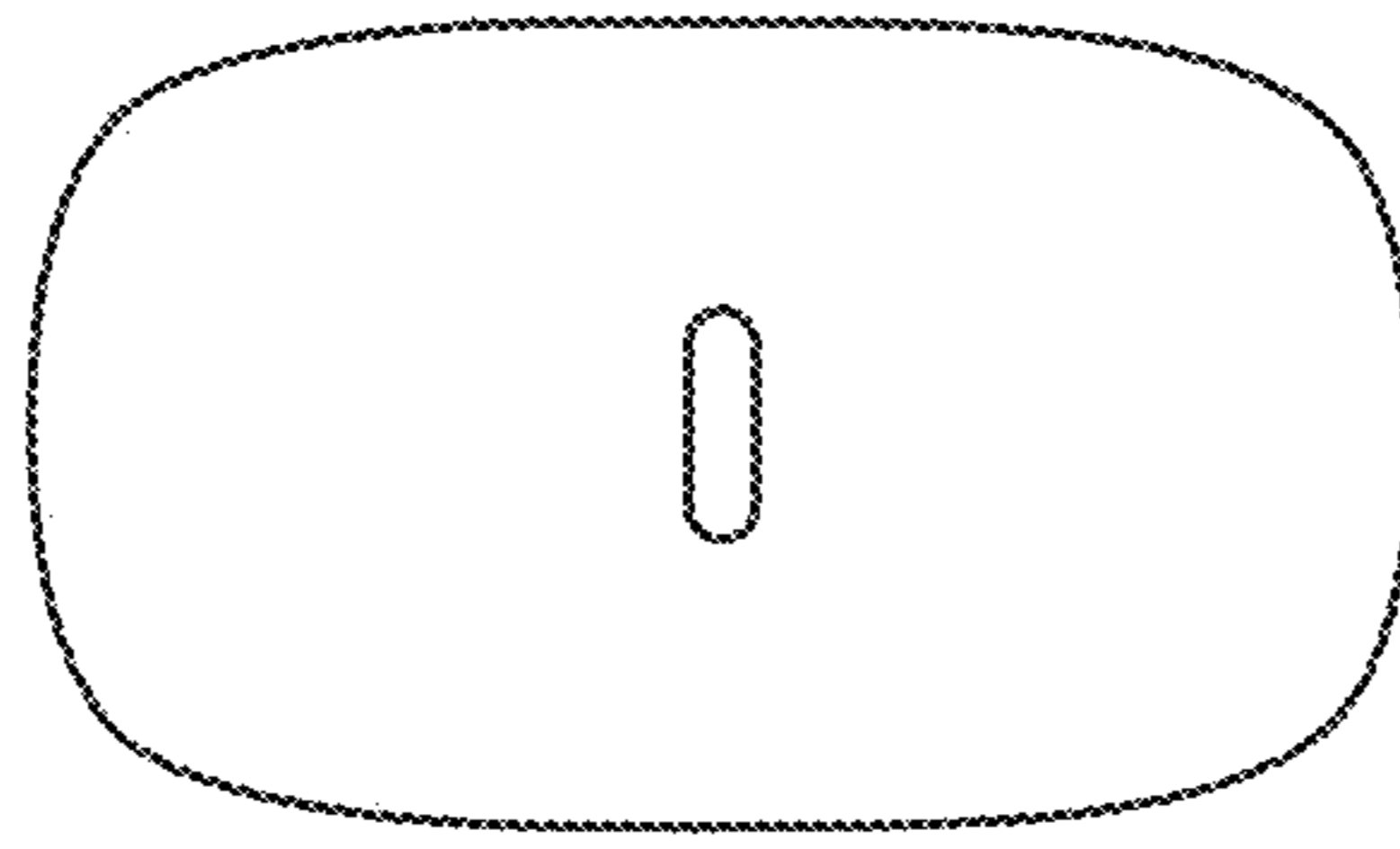


Fig. 4

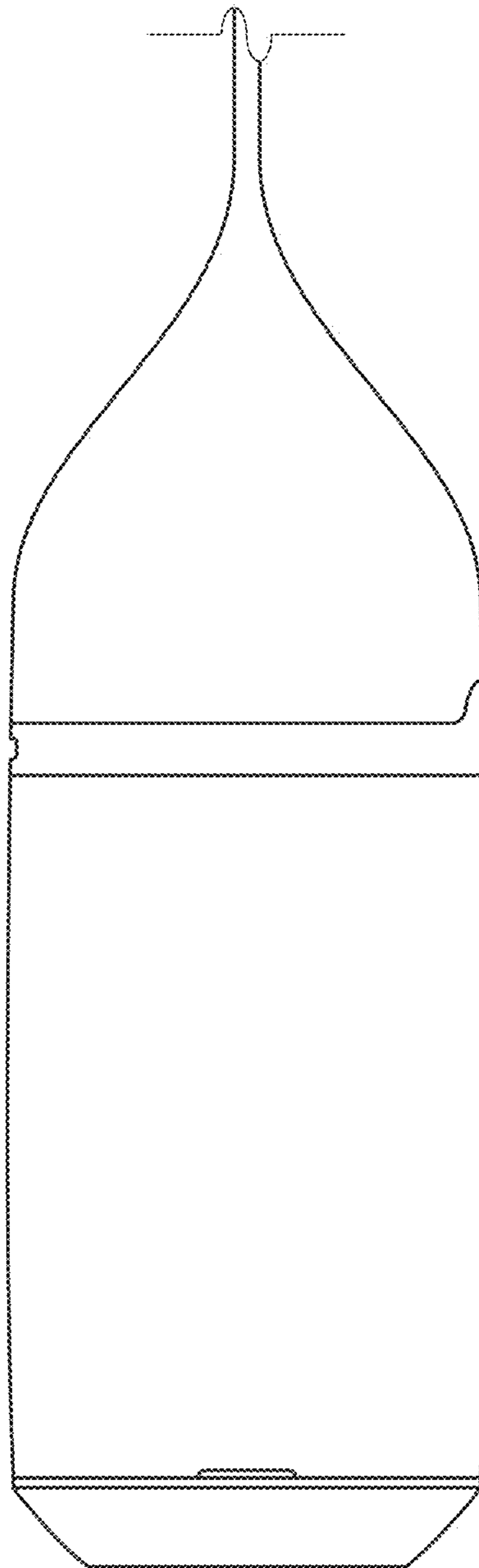


Fig. 3

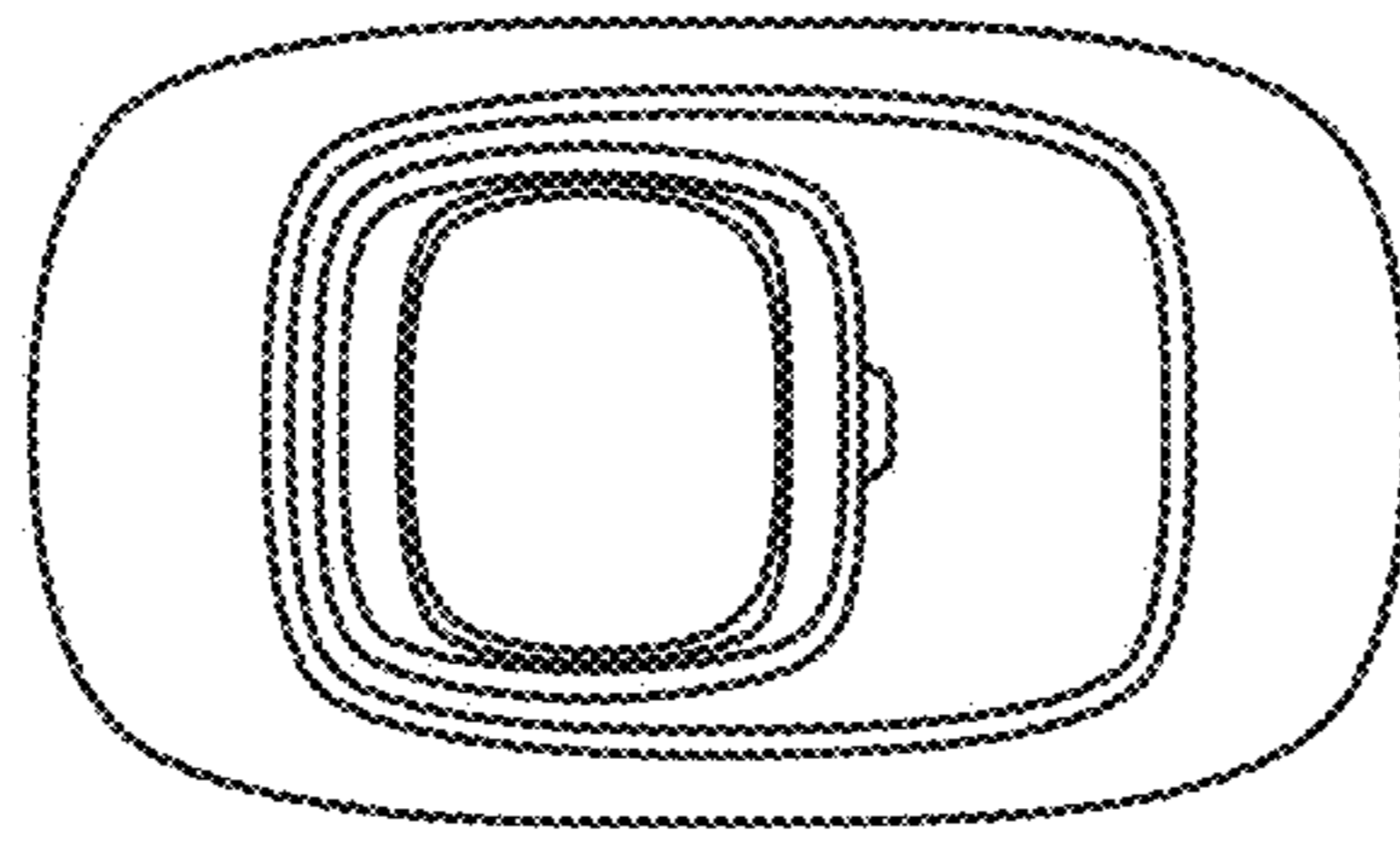


Fig. 6

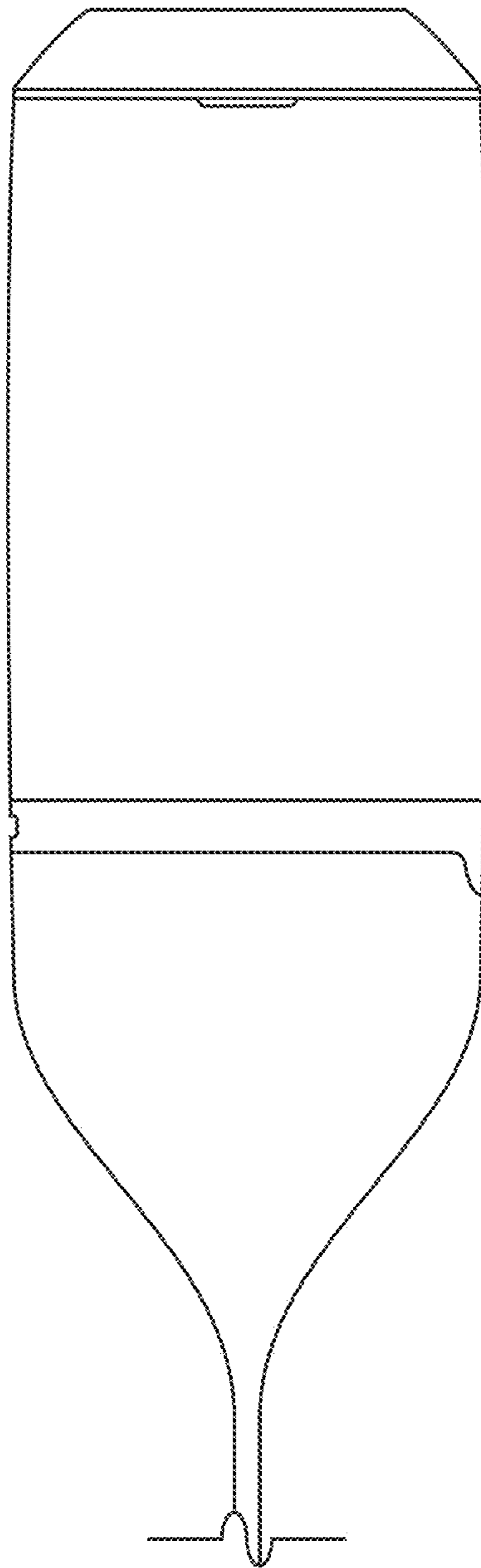


Fig. 5

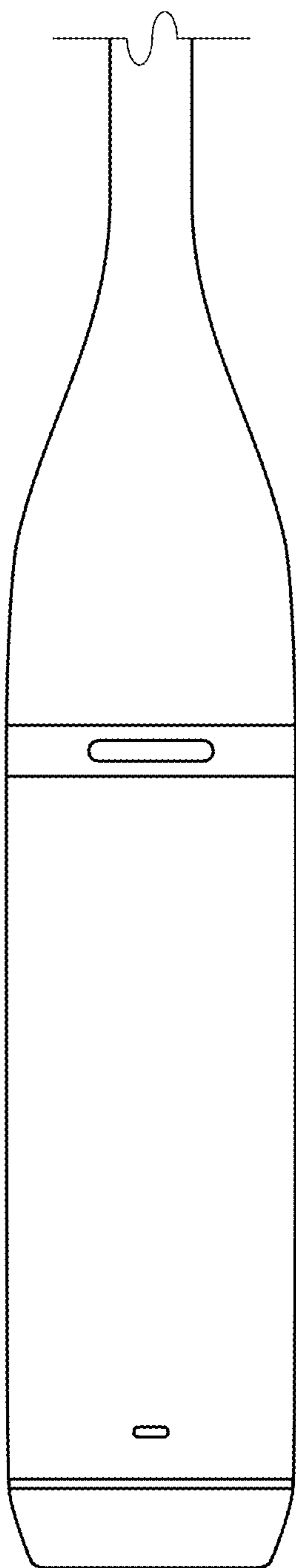


Fig. 7

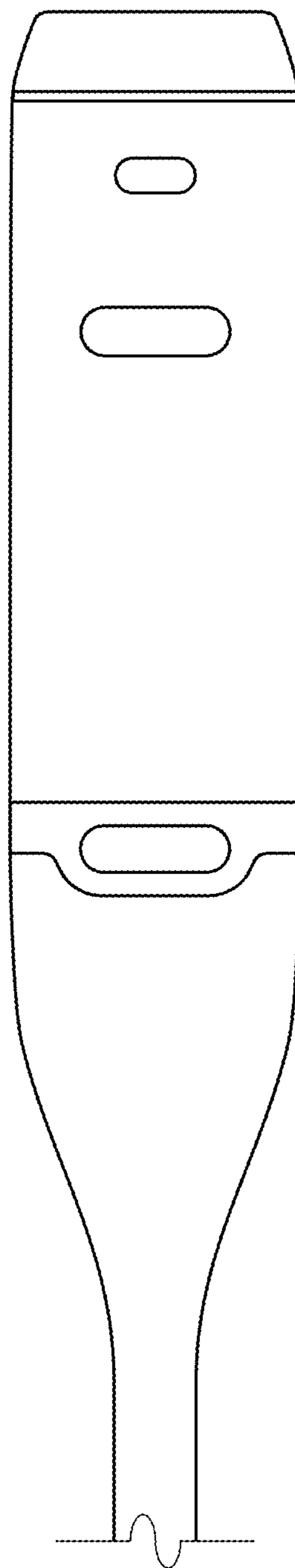


Fig. 8