



US00D729859S

(12) **United States Design Patent**
Shin et al.

(10) **Patent No.:** **US D729,859 S**

(45) **Date of Patent:** **** May 19, 2015**

(54) **MONITORING CAMERA**

(71) Applicant: **SAMSUNG TECHWIN CO., LTD.**,
Changwon (KR)

(72) Inventors: **Joo-Young Shin**, Changwon (KR);
Mun-Jun Park, Changwon (KR)

(73) Assignee: **SAMSUNG TECHWIN CO., LTD.**,
Changwon (KR)

(**) Term: **14 Years**

(21) Appl. No.: **29/471,887**

(22) Filed: **Nov. 6, 2013**

(30) **Foreign Application Priority Data**

Aug. 13, 2013 (KR) 30-2013-0041727

(51) **LOC (10) Cl.** **16-01**

(52) **U.S. Cl.**
USPC **D16/203**

(58) **Field of Classification Search**
CPC G03B 17/00; G03B 17/02; H04N 5/2251;
H04N 5/2252; H04N 5/2253; H04N 5/772
USPC D16/200–205, 208, 218, 219;
348/373–376; 358/906; 396/341,
396/535–541
See application file for complete search history.

(56) **References Cited**

U.S. PATENT DOCUMENTS

D225,379 S * 12/1972 Galtagher et al. D10/106.5
D416,273 S * 11/1999 Yamakawa et al. D16/203
D426,250 S * 6/2000 Lefkowitz D16/203
6,860,654 B1 * 3/2005 Ching-Wen 396/427
7,425,101 B2 * 9/2008 Cheng 348/373

7,985,030 B1 * 7/2011 Chou 396/428
7,990,468 B2 * 8/2011 Yamamoto 348/373
D657,410 S * 4/2012 Helaoui et al. D16/203
D664,178 S * 7/2012 Hinkel D16/203
D694,305 S * 11/2013 Katori et al. D16/203

FOREIGN PATENT DOCUMENTS

JP D1371024 S 10/2009
JP D1456017 S 11/2012

OTHER PUBLICATIONS

“Vivotek Fisheye Dome Network Security Camera 5MP 360 Degrees
Vandal-Proof FE8172V,” newegg.com, p. 1.
“GV-FE110/111 1.3 MP H.264 Fisheye IP Camera,” GeoVision, p. 1.

* cited by examiner

Primary Examiner — Adir Aronovich

(74) *Attorney, Agent, or Firm* — Sughrue Mion, PLLC

(57) **CLAIM**

The ornamental design of a monitoring camera, as shown and
described.

DESCRIPTION

FIG. 1 is a front perspective view of a monitoring camera;
FIG. 2 is a top plan view of the monitoring camera;
FIG. 3 is a bottom plan view of the monitoring camera;
FIG. 4 is a left side elevational view of the monitoring camera;
FIG. 5 is a right side elevational view of the monitoring
camera;
FIG. 6 is a front elevational view of the monitoring camera;
and,
FIG. 7 is a rear elevational view of the monitoring camera.
The broken line portions in the drawings are shown to illus-
trate environment only and form no part of the claimed
design.

1 Claim, 6 Drawing Sheets

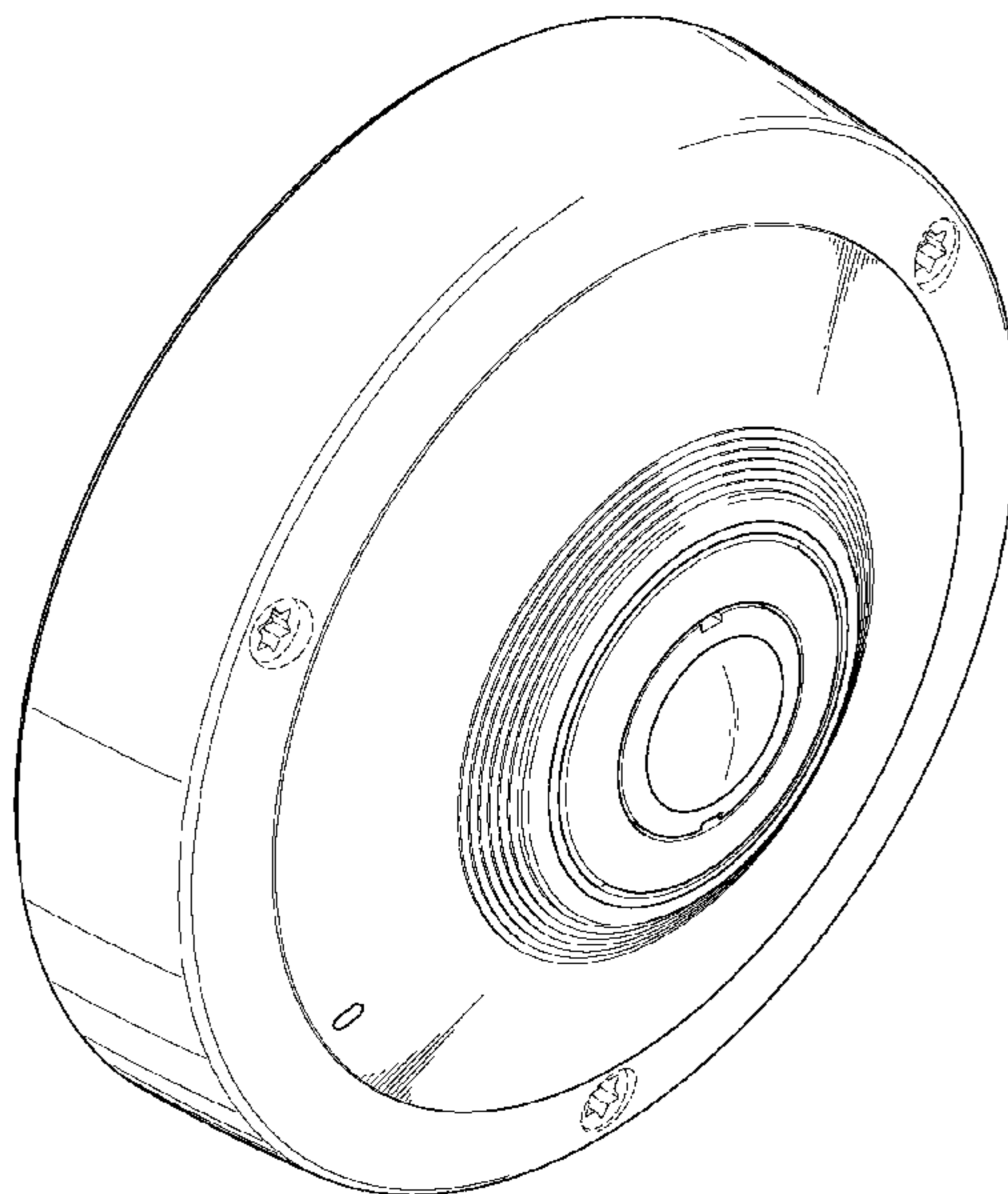


FIG. 1

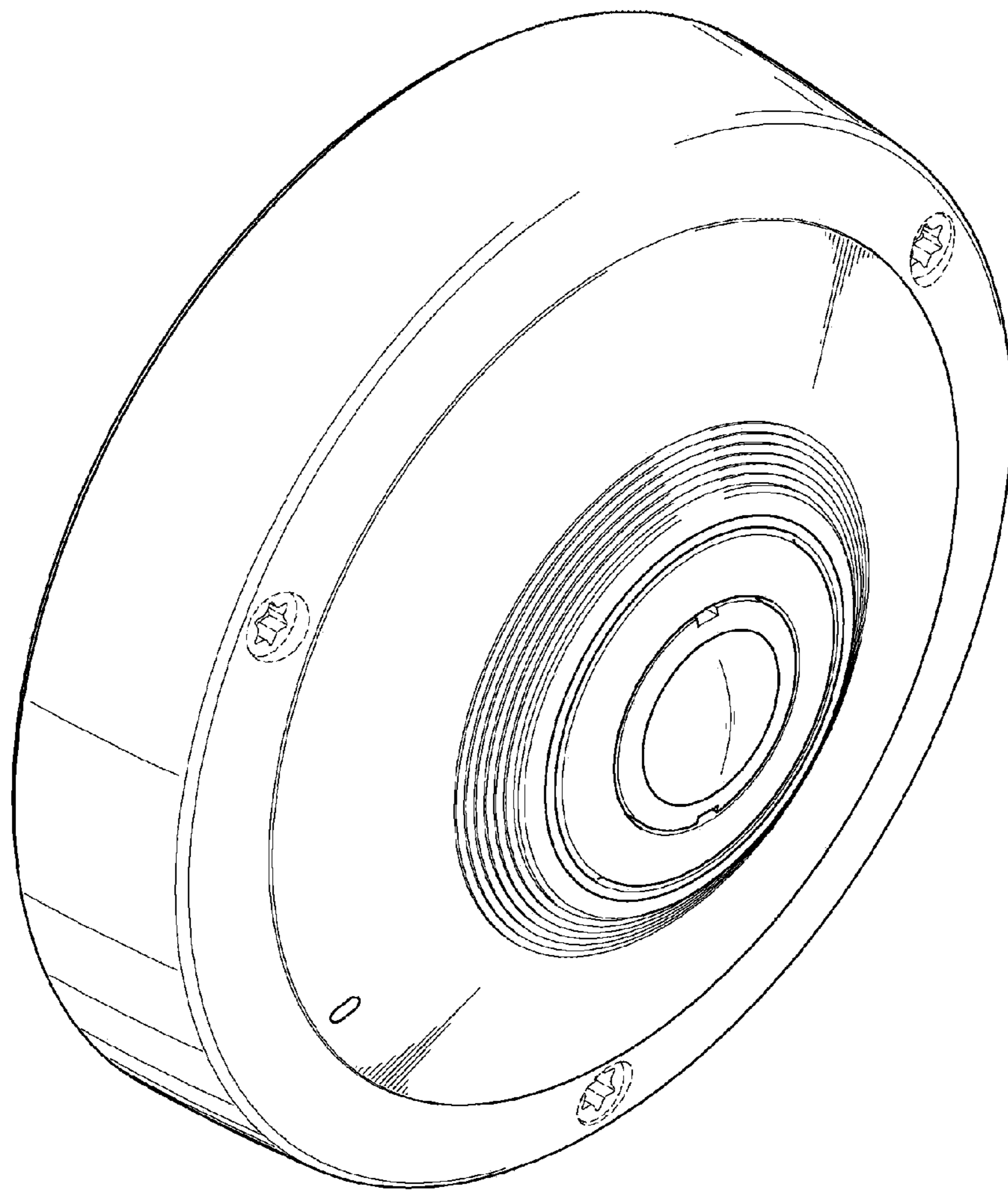


FIG. 2

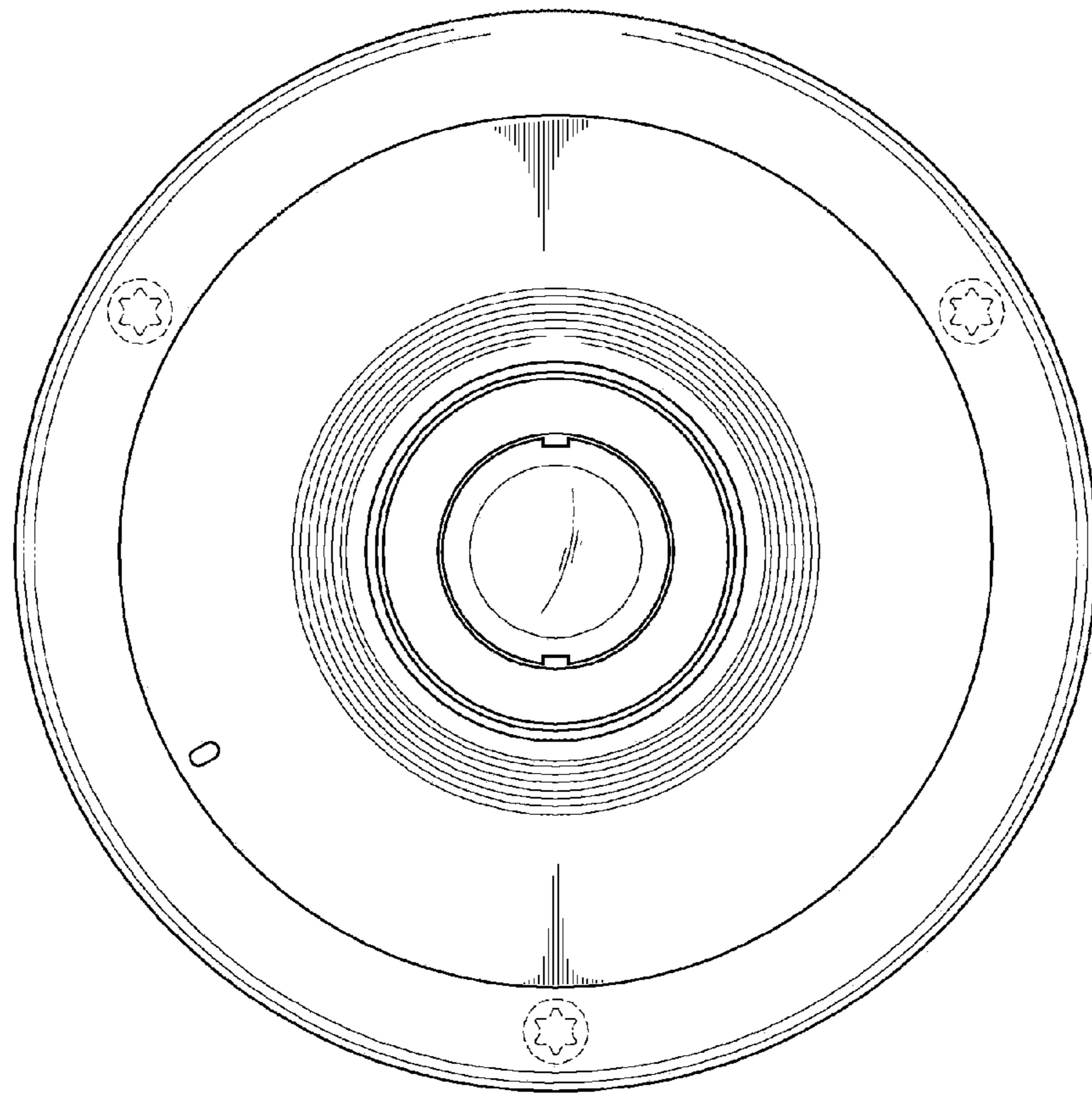


FIG. 3

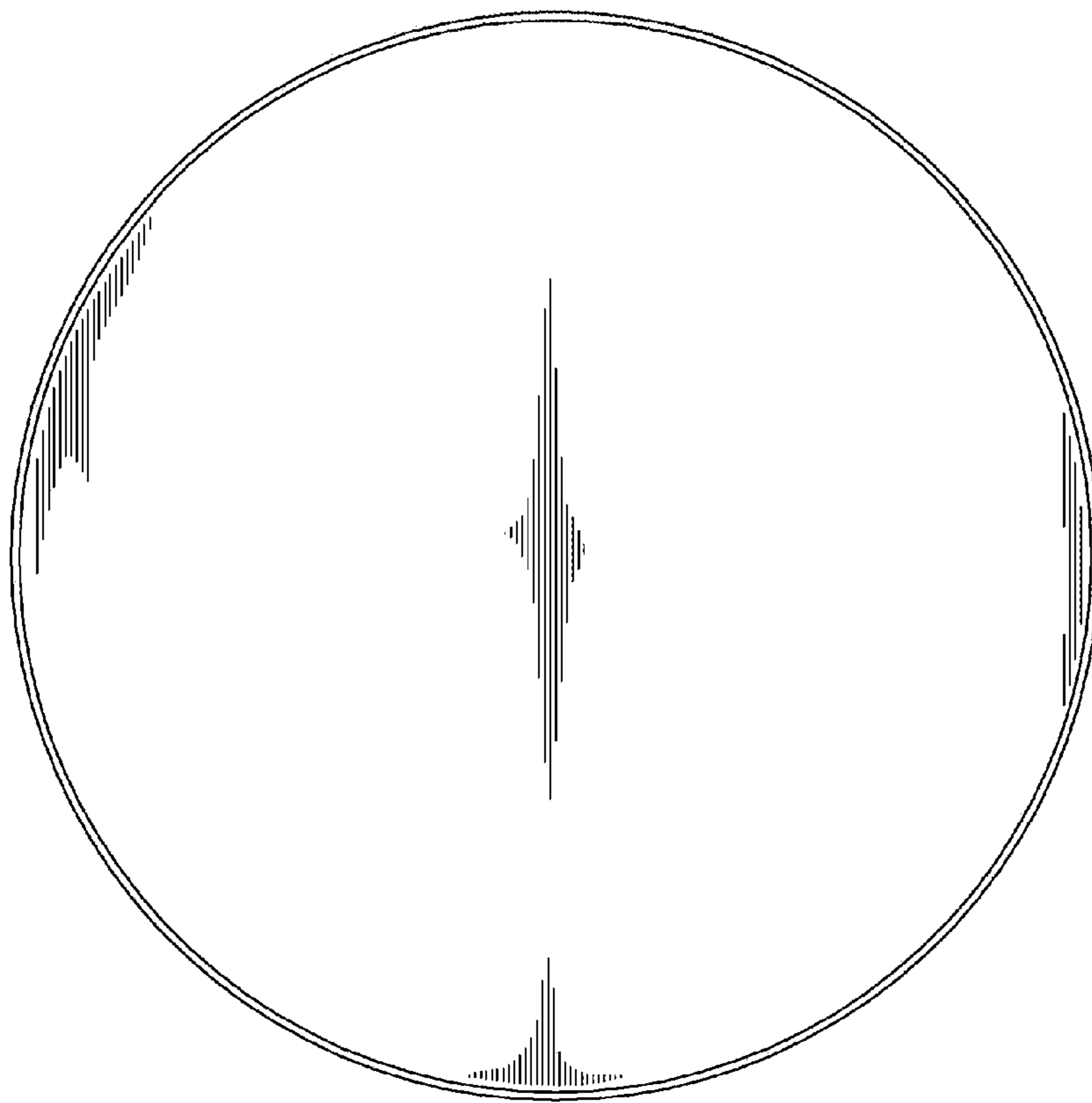


FIG. 4

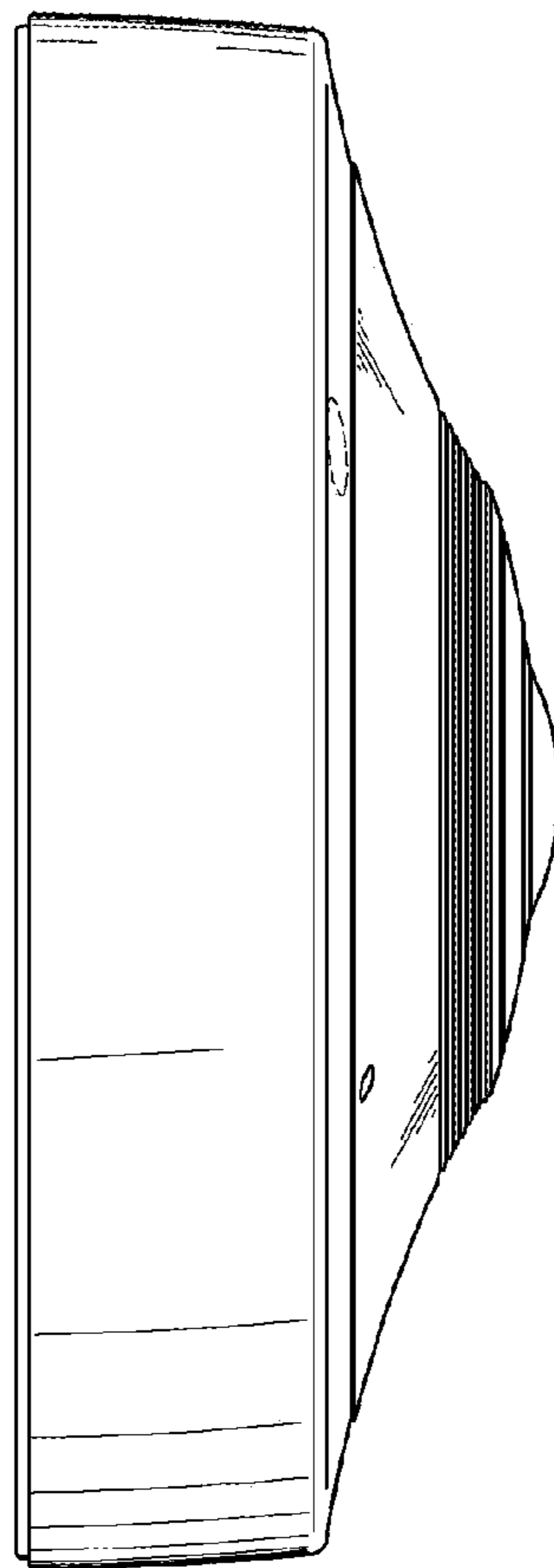


FIG. 5

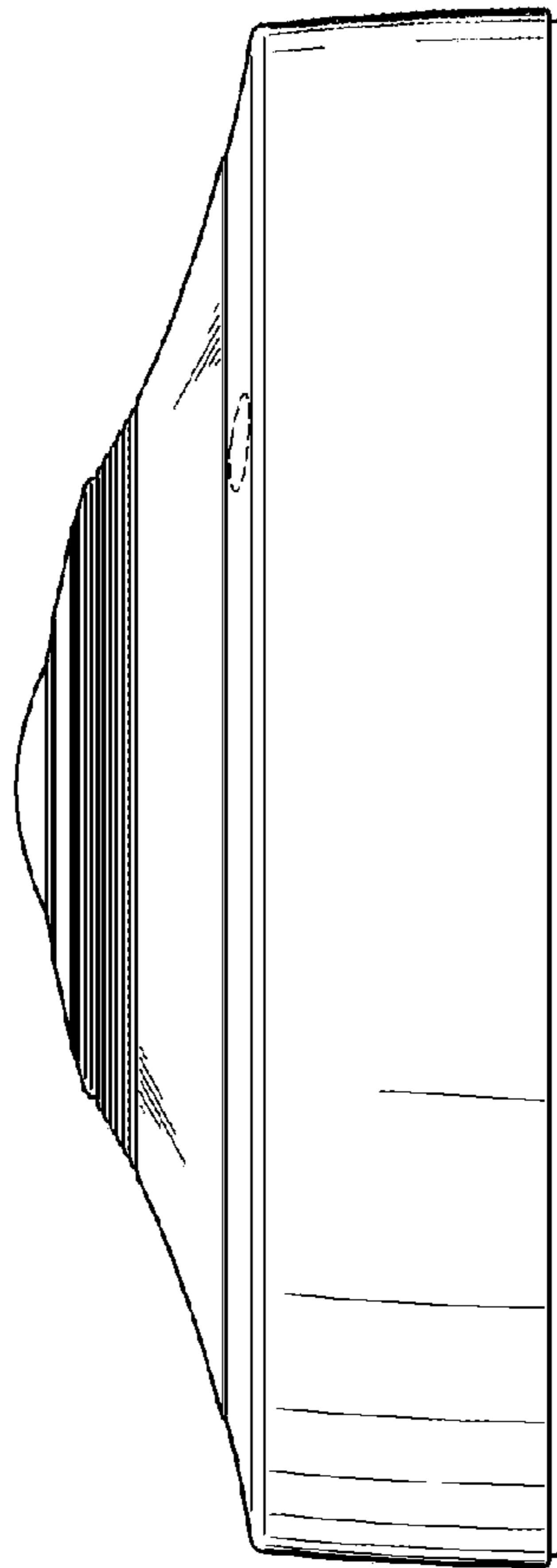


FIG. 6

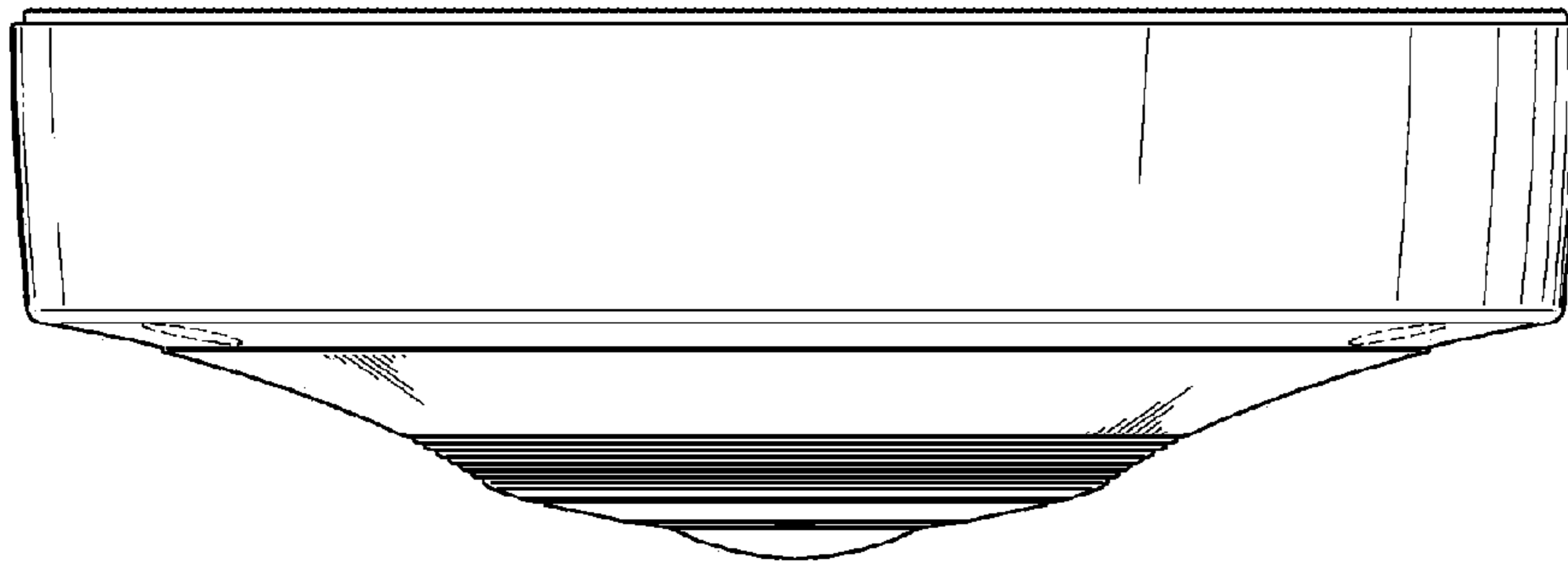


FIG. 7

