



US00D729856S

(12) **United States Design Patent**
Hynek et al.

(10) **Patent No.:** **US D729,856 S**

(45) **Date of Patent:** **** May 19, 2015**

(54) **TIRE PRESS MOVABLE FRAME**

(71) Applicant: **ZAPADOCESKA UNIVERZITA V PLZNI, Plzen (CZ)**

(72) Inventors: **Martin Hynek, Plzen (CZ); Vaclava Lasova, Plzen (CZ); Miroslav Grach, Bilina (CZ); Jan Klepacek, Kraslice (CZ); Eduard Muller, Most (CZ)**

(73) Assignee: **ZAPADOCESKA UNIVERZITA V PLZNI, Plzen (CZ)**

(**) Term: **14 Years**

(21) Appl. No.: **29/480,965**

(22) Filed: **Jan. 31, 2014**

(51) **LOC (10) Cl.** **15-99**

(52) **U.S. Cl.**
USPC **D15/199; D15/138**

(58) **Field of Classification Search**
USPC **D8/343; D15/122, 123, 138, 141, 199**
See application file for complete search history.

(56) **References Cited**

U.S. PATENT DOCUMENTS

627,230	A *	6/1899	Hardy	425/42
2,310,890	A *	2/1943	Brandes	100/264
2,904,831	A *	9/1959	Frohlich	425/47
3,680,998	A *	8/1972	Sharman	425/394
3,734,656	A *	5/1973	Balle	425/34.1
4,105,379	A *	8/1978	Gazuit	425/47
4,395,209	A *	7/1983	Singh et al.	425/33
4,741,682	A *	5/1988	Mauro	425/28.1
4,947,673	A *	8/1990	Baranski	72/456

5,447,424	A *	9/1995	Imler et al.	425/34.1
5,566,373	A *	10/1996	Seimetz et al.	419/66
5,622,669	A *	4/1997	Daillez et al.	264/403
5,744,169	A *	4/1998	Fujieda et al.	425/47
5,820,885	A *	10/1998	Irie	425/34.1
5,852,970	A *	12/1998	Bornhorst et al.	100/346
5,866,170	A *	2/1999	Fujieda et al.	425/40
8,282,373	B2 *	10/2012	Fujieda et al.	425/47
D694,301	S *	11/2013	Hynek et al.	D15/199
2011/0200698	A1 *	8/2011	Fujieda et al.	425/47
2012/0319330	A1 *	12/2012	Mizuta et al.	264/326

* cited by examiner

Primary Examiner — Patricia Palasik

(57) **CLAIM**

The ornamental design for a tire press movable frame, as shown and described.

DESCRIPTION

FIG. 1 is a perspective view of a tire press movable frame's position in a tire press assembly;

FIG. 2 is a front elevational view of a tire press movable frame showing my new design;

FIG. 3 is a sectional view taken in the direction of the arrows on line 3-3 of FIG. 2;

FIG. 4 is a perspective right view of a tire press movable frame showing my new design; and

FIG. 5 is a perspective front view thereof;

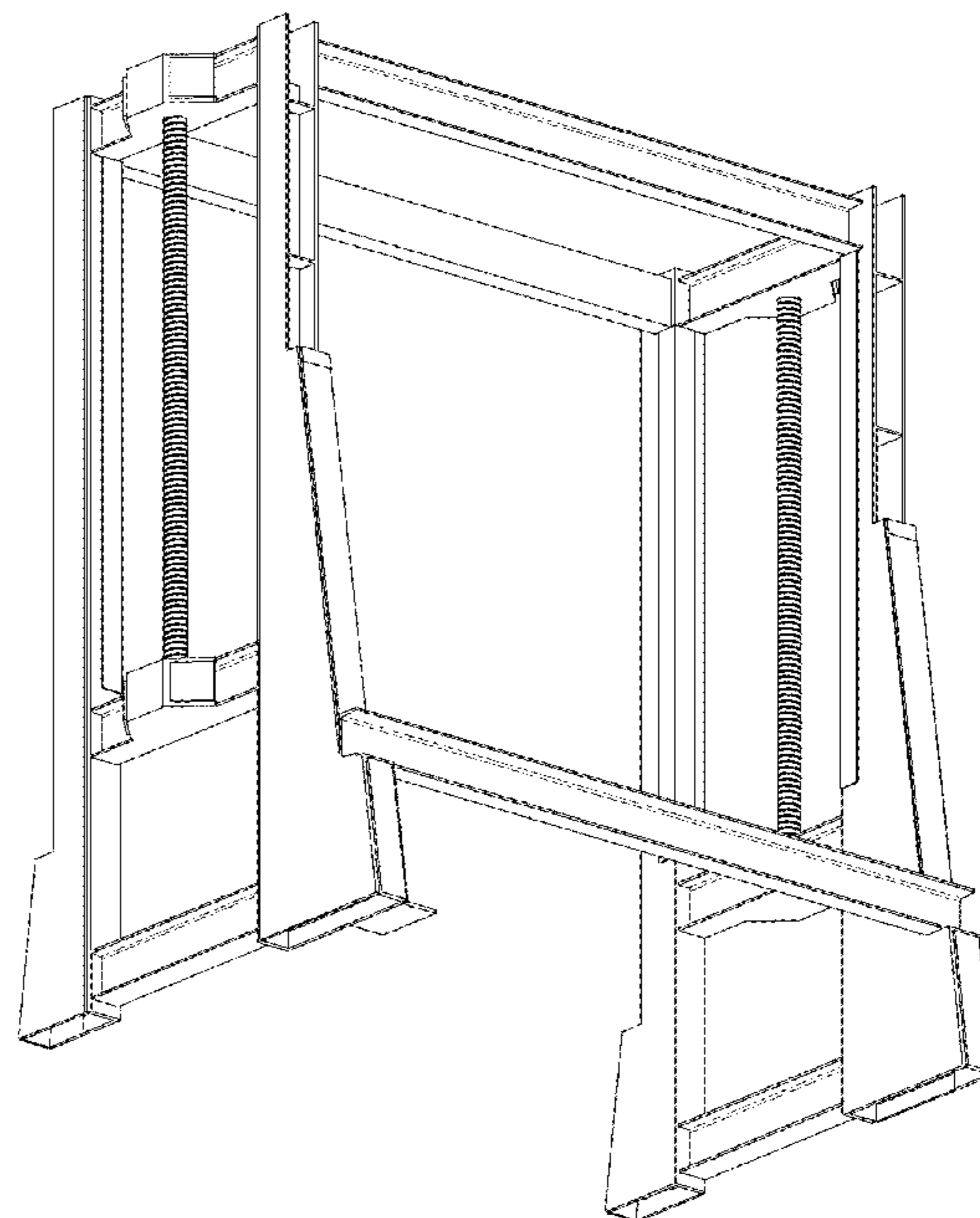
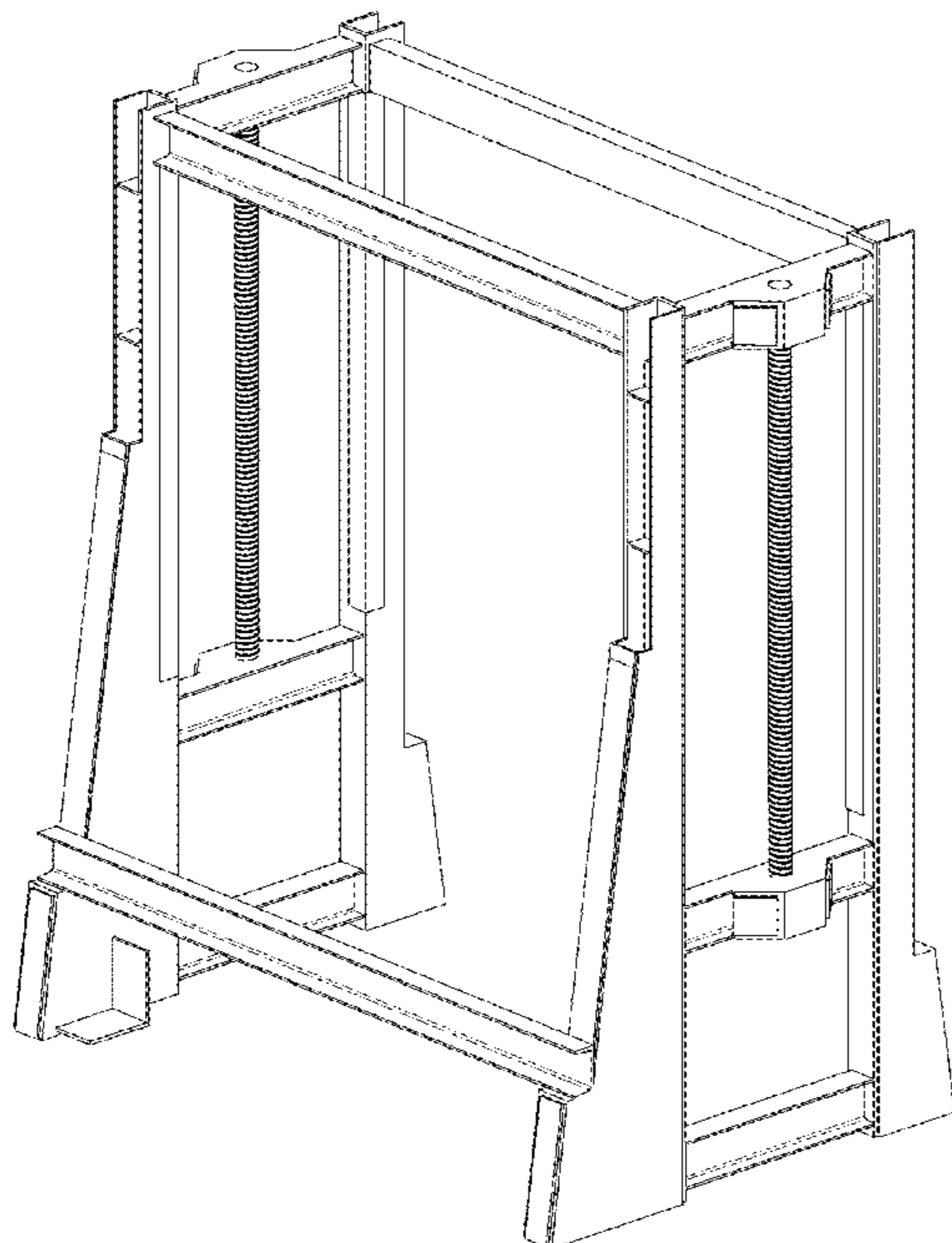
FIG. 6 is a perspective rear view thereof;

FIG. 7 is a side elevational view taken from the right of FIG. 2; and,

FIG. 8 is a rear elevational view thereof.

The broken lines in the drawings depict unclaimed environmental subject matter.

1 Claim, 7 Drawing Sheets



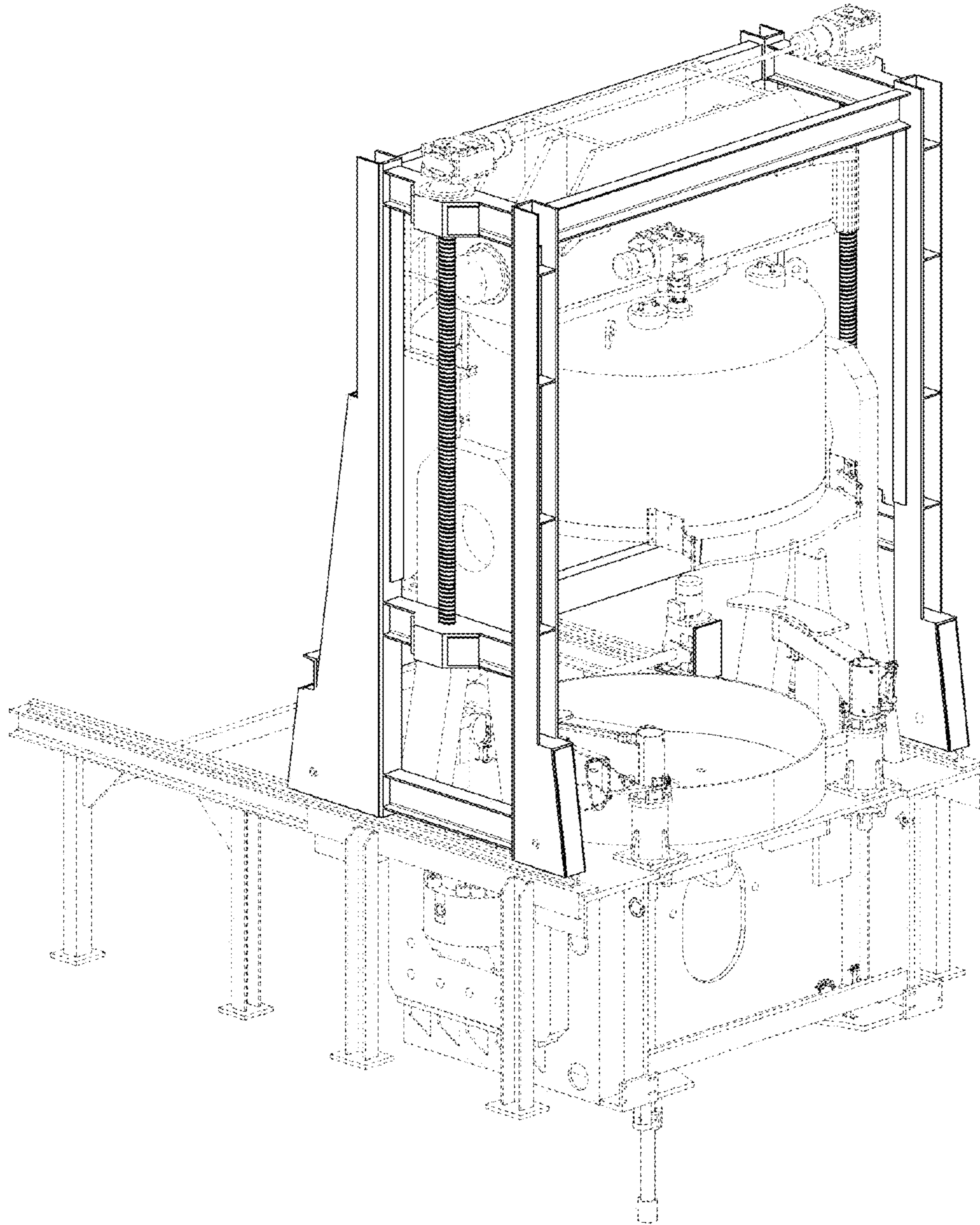


FIGURE 1

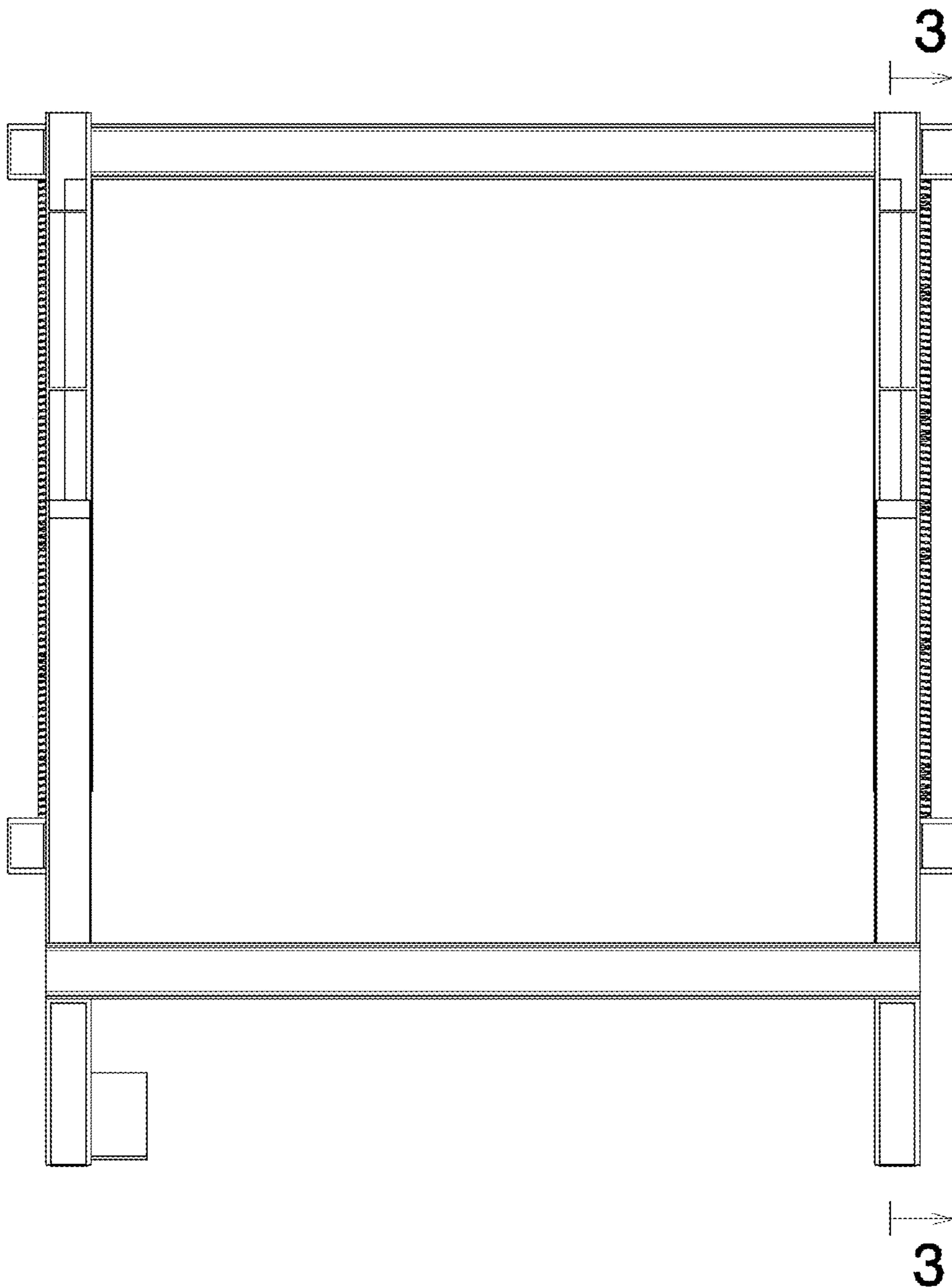


FIGURE 2

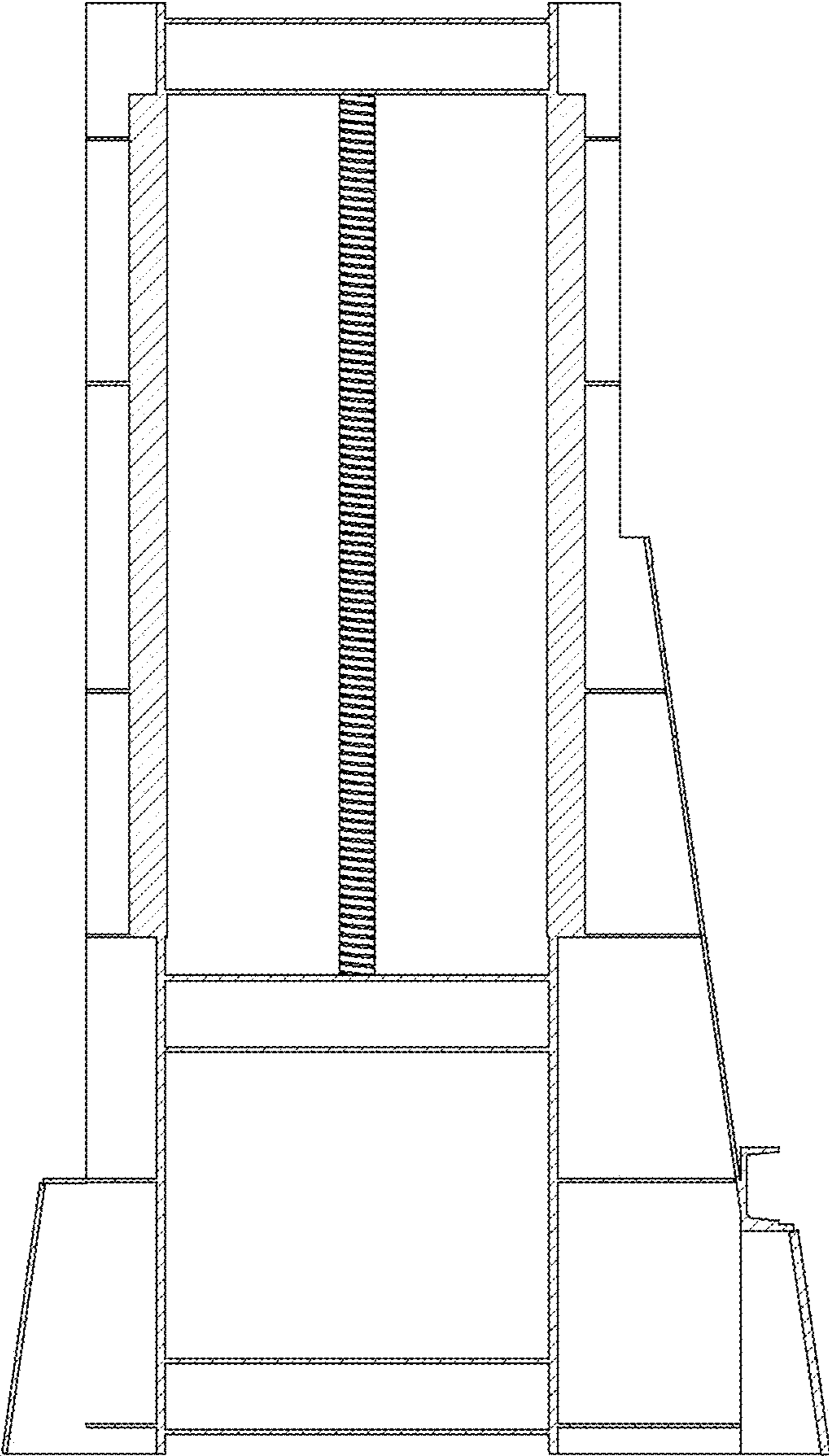


FIGURE 3

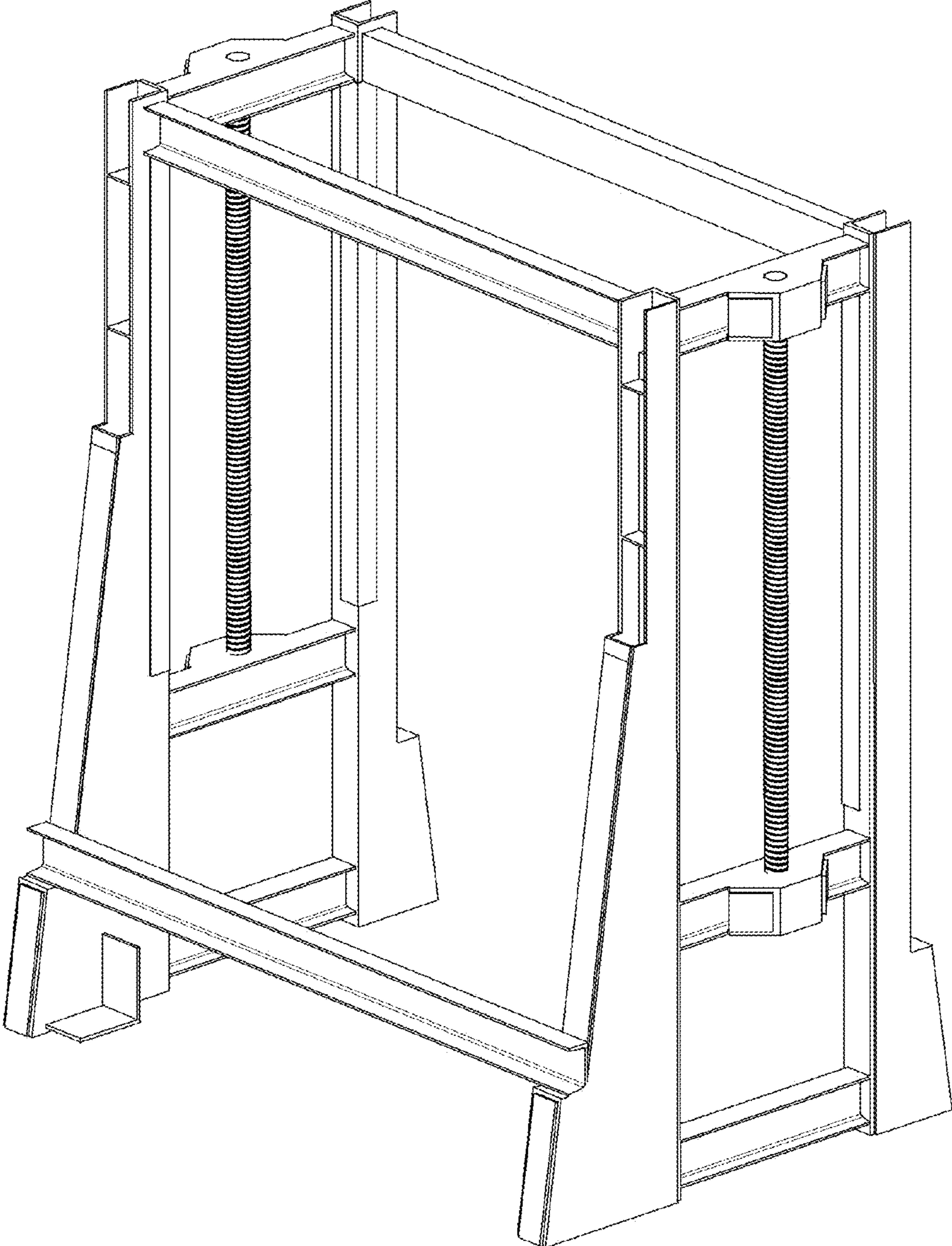


FIGURE 4

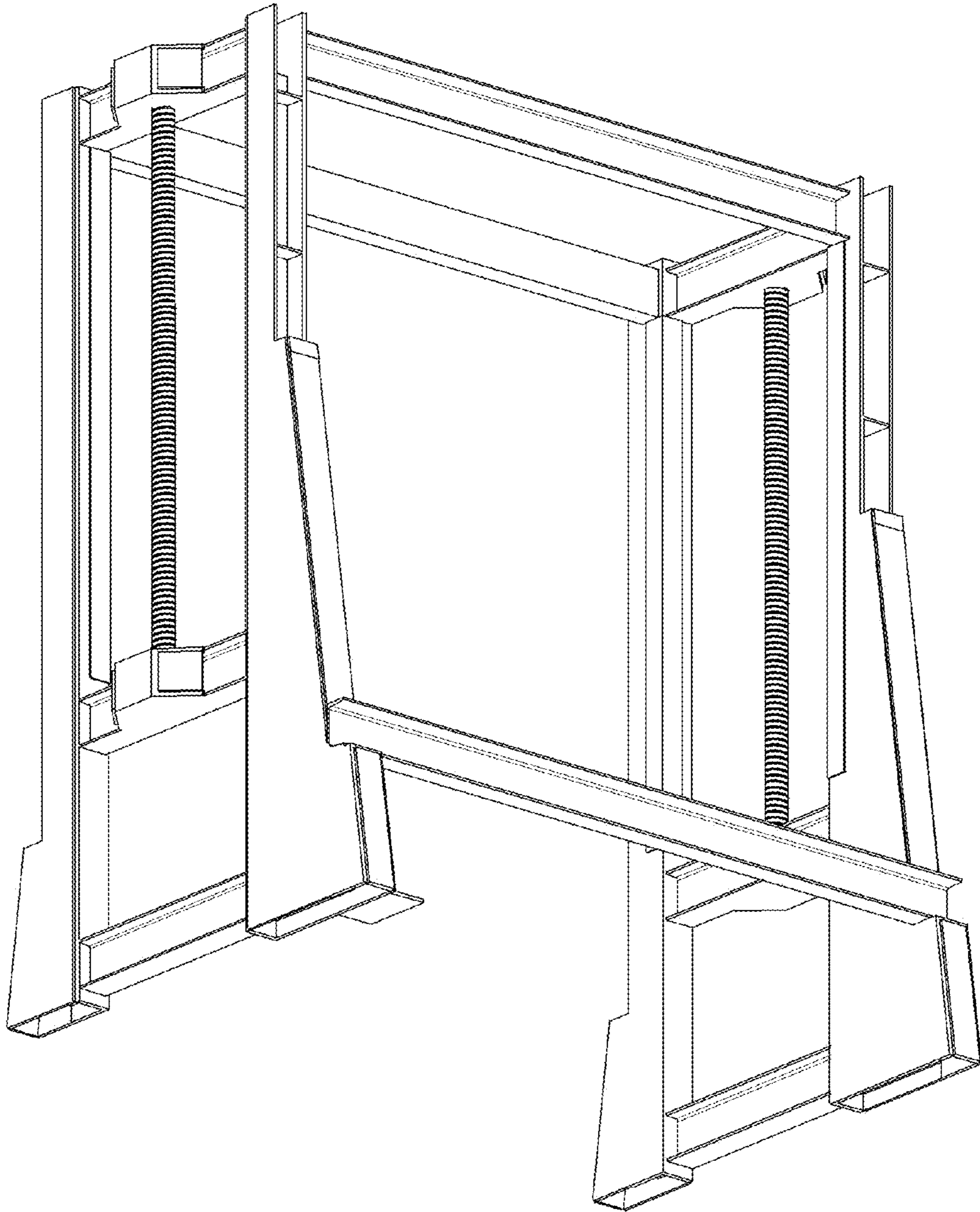


FIGURE 5

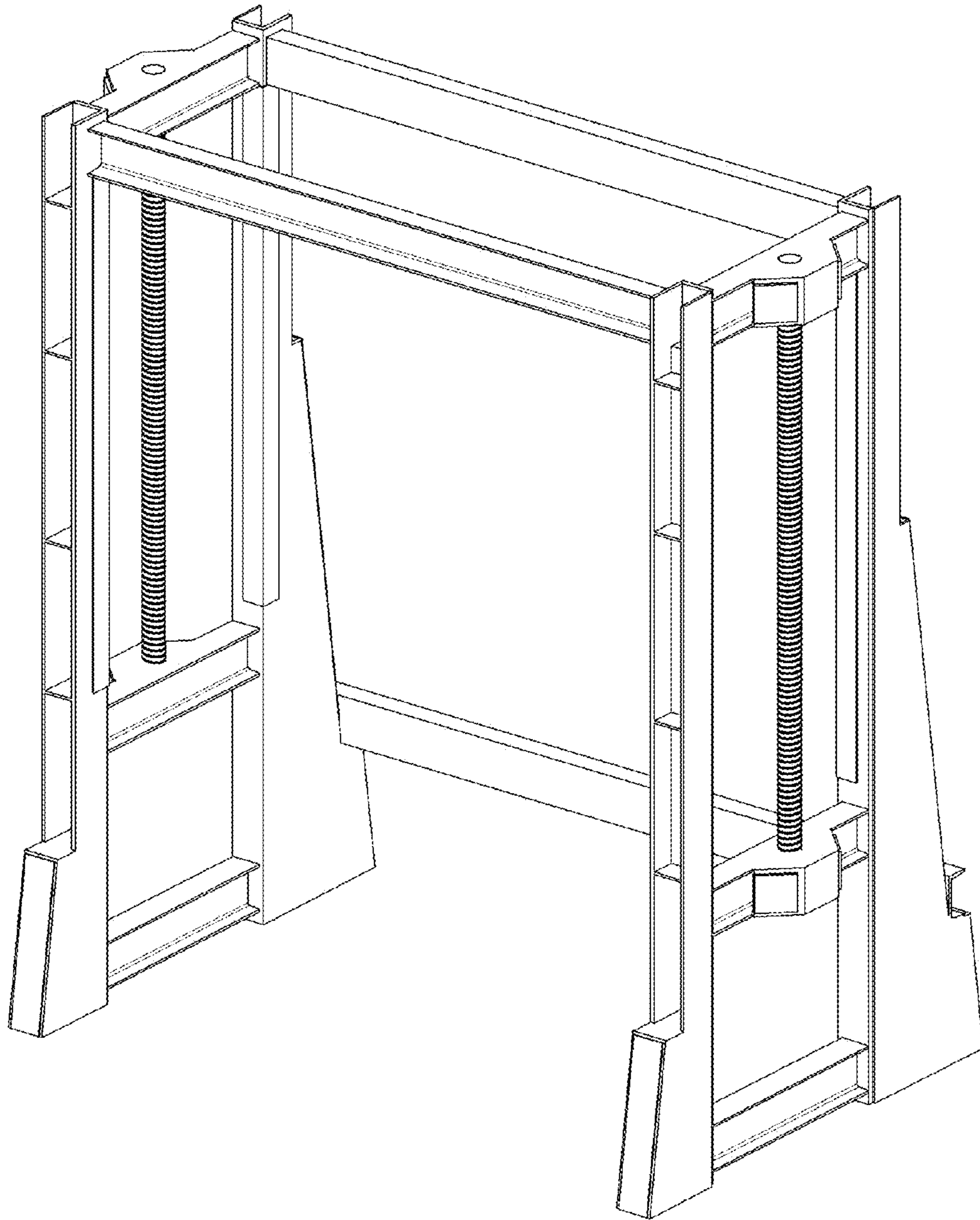


FIGURE 6

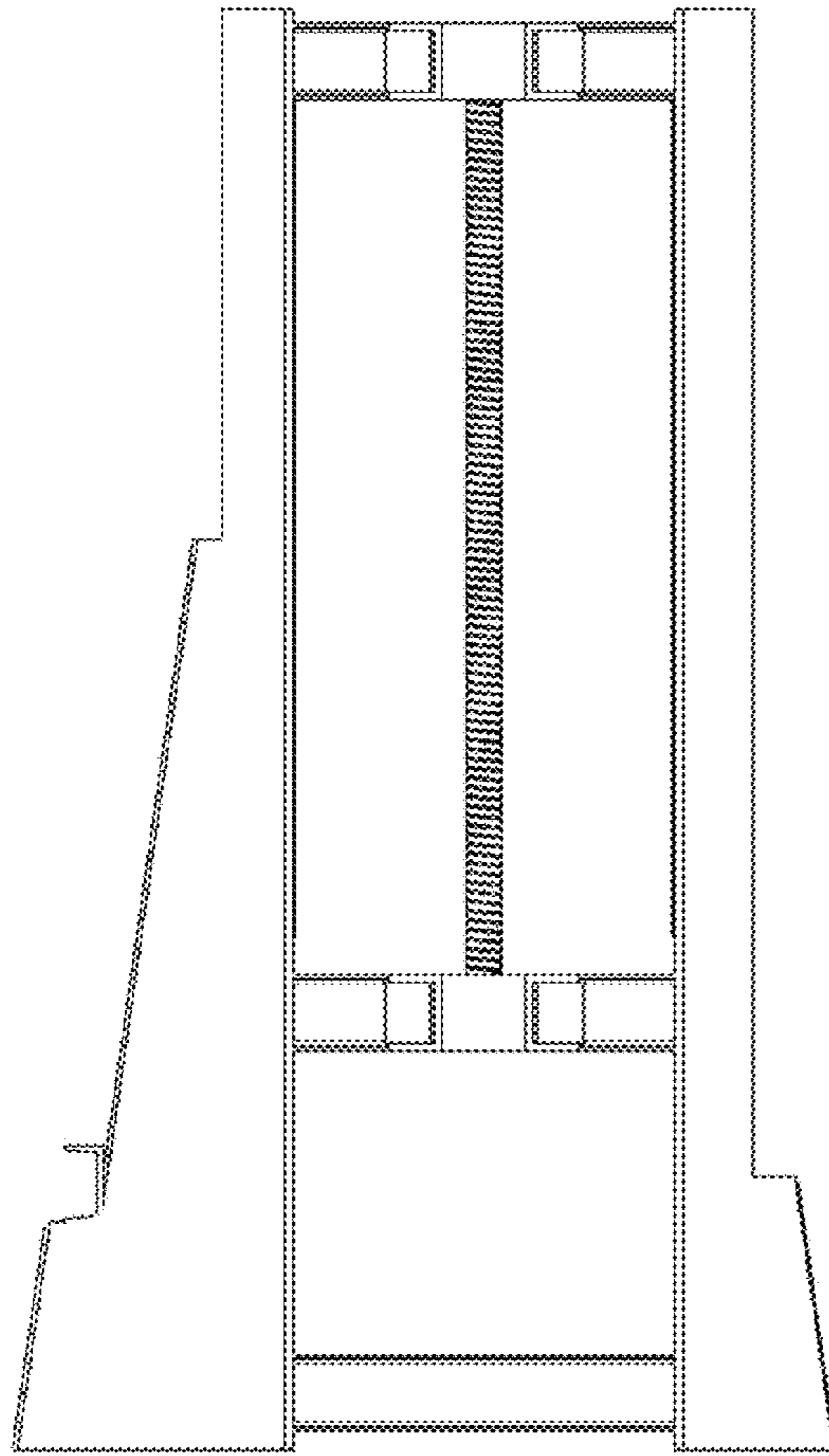


FIGURE 7

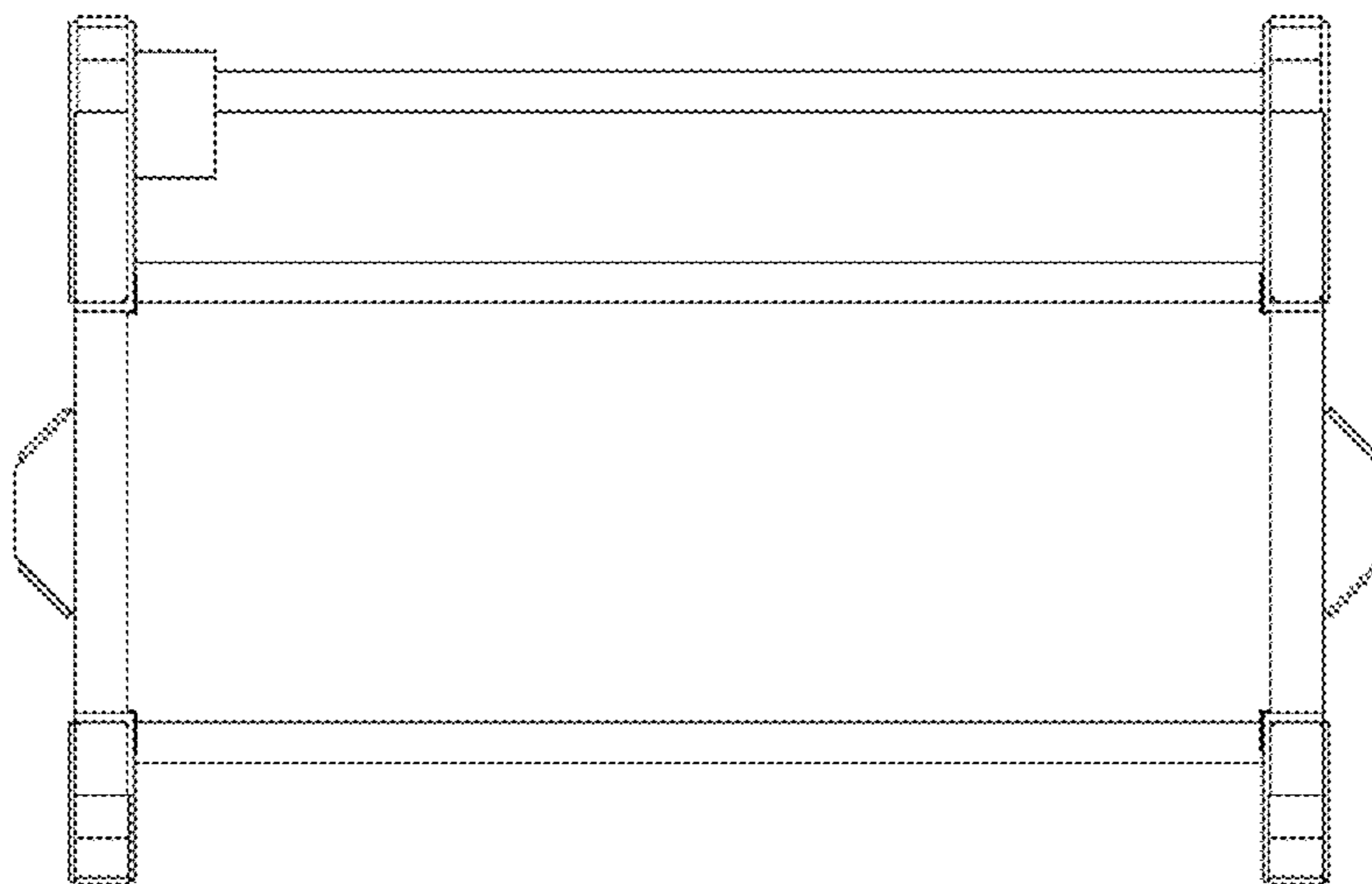


FIGURE 8