



US00D729852S

(12) **United States Design Patent**
Brockway

(10) **Patent No.:** **US D729,852 S**

(45) **Date of Patent:** **** May 19, 2015**

(54) **COMPACTION CLEAT ASSEMBLY**

(71) Applicant: **Terra Compactor Wheel Corp.**,
Plymouth, WI (US)

(72) Inventor: **Robert John Brockway**, Plymouth, WI
(US)

(73) Assignee: **Terra Compactor Wheel Corp.**,
Plymouth, WI (US)

(**) Term: **14 Years**

(21) Appl. No.: **29/461,289**

(22) Filed: **Jul. 22, 2013**

Related U.S. Application Data

(63) Continuation-in-part of application No. 29/397,536,
filed on Jul. 18, 2011, now Pat. No. Des. 686,641.

(51) **LOC (10) Cl.** **15-03**

(52) **U.S. Cl.**
USPC **D15/28**

(58) **Field of Classification Search**
USPC D15/20, 21, 28, 29; D12/604; 404/121,
404/90, 124, 122; 301/43, 44.1-44.4;
172/122, 540, 554; 37/452, 453, 455
See application file for complete search history.

(56) **References Cited**

U.S. PATENT DOCUMENTS

3,650,185	A	3/1972	Takata
3,891,341	A	6/1975	Trainor et al.
4,074,942	A	2/1978	Cochran
4,481,728	A	11/1984	Mulder et al.
4,668,122	A	5/1987	Riddle
4,919,566	A	4/1990	Caron et al.
H946	H	8/1991	Lonn
5,217,321	A	6/1993	Corcoran et al.
5,217,322	A	6/1993	Corcoran et al.
D338,677	S	8/1993	Corcoran et al.
D338,898	S	8/1993	Corcoran et al.

(Continued)

Primary Examiner — Mark Goodwin

(74) *Attorney, Agent, or Firm* — Ziolkowski Patent
Solutions Group, SC

(57) **CLAIM**

The ornamental design for a compaction cleat assembly, as
shown and described.

DESCRIPTION

FIG. 1 is a perspective view of a compaction cleat assembly in
accordance with an embodiment of the present invention.

FIG. 2 is a side elevational view thereof;

FIG. 3 is an end elevational view thereof;

FIG. 4 is a top plan view thereof;

FIG. 5 is a bottom plan view thereof;

FIG. 6 is a cross-sectional view thereof taken along line 6-6 of
FIG. 4.

FIG. 7 is a perspective view of the base portion of the com-
paction cleat assembly of FIG. 1 shown in unassembled con-
dition for ease of illustration.

FIG. 8 is a side elevational view thereof;

FIG. 9 is an end elevational view thereof;

FIG. 10 is a top plan view thereof;

FIG. 11 is a bottom plan view thereof;

FIG. 12 is a cross-sectional view thereof taken along line
12-12 of FIG. 10.

FIG. 13 is a perspective view of the cleat cap portion of the
compaction cleat assembly of FIG. 1 shown in unassembled
condition for ease of illustration.

FIG. 14 is a side elevational view thereof;

FIG. 15 is an end elevational view thereof;

FIG. 16 is a top plan view thereof;

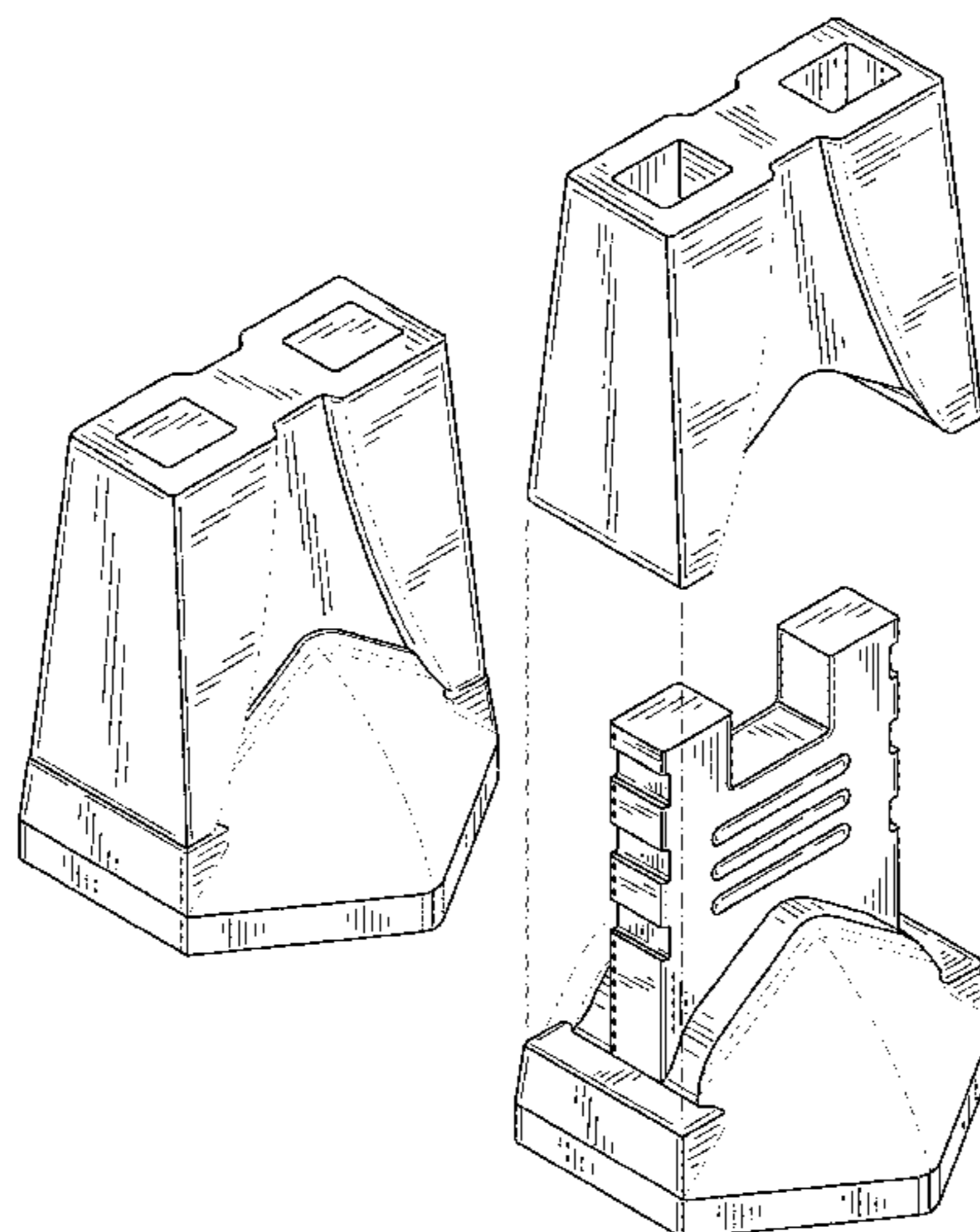
FIG. 17 is a bottom plan view thereof;

FIG. 18 is a cross-sectional view thereof taken along line
18-18 of FIG. 16; and,

FIG. 19 is an exploded perspective view of the compaction
cleat assembly of FIG. 1.

Any broken lines shown in all figures are for illustrative
purposes only and form no part of the claimed design.

1 Claim, 10 Drawing Sheets



(56)

References Cited

U.S. PATENT DOCUMENTS

D359,054 S	6/1995	Gale et al.	6,991,401 B1	1/2006	Caron	
D379,630 S	6/1997	Brockway	7,108,452 B2	9/2006	Caron et al.	
5,687,799 A	11/1997	Greenfield et al.	7,163,354 B2	1/2007	Runestad	
6,042,192 A	3/2000	Brockway	D538,828 S	3/2007	Stern	
D430,172 S	8/2000	Kesavan	7,198,333 B1	4/2007	Freeman	
6,273,516 B1	8/2001	Brockway	D617,351 S	6/2010	Brockway	
D453,940 S	2/2002	McCartney	D617,817 S	6/2010	Brockway	
D476,018 S	6/2003	Hayashi et al.	D676,064 S	2/2013	Stinson	
6,632,045 B1	10/2003	McCartney	D686,641 S *	7/2013	Brockway	D15/28
6,652,186 B2	11/2003	Bierwith	2002/0048489 A1	4/2002	Caron et al.	
6,682,262 B2	1/2004	Caron et al.	2003/0063951 A1	4/2003	Bierwith	
			2004/0033107 A1	2/2004	Caron et al.	
			2009/0045669 A1	2/2009	McPhail et al.	
			2012/0003042 A1	1/2012	McPhail et al.	

* cited by examiner

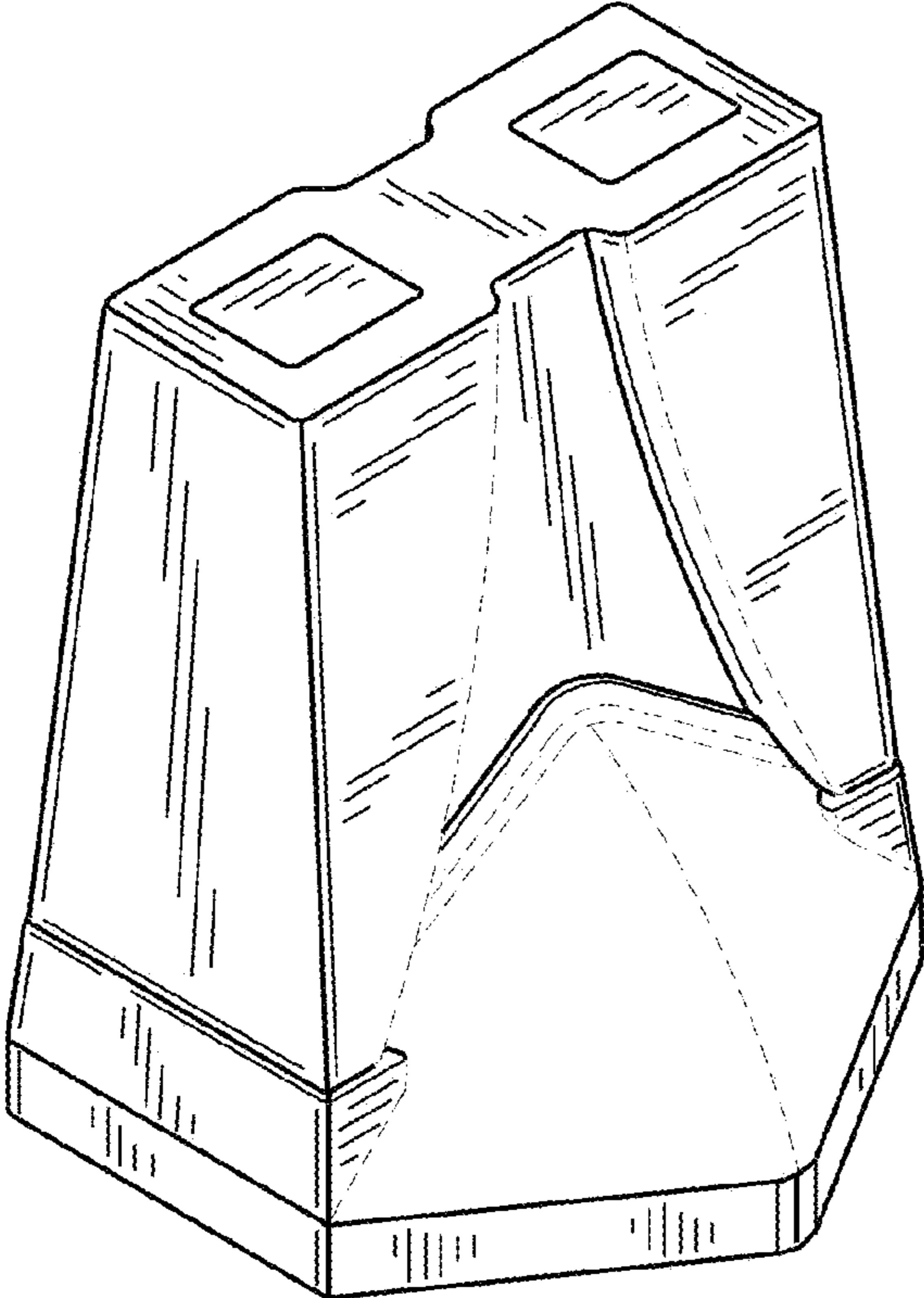


FIG. 1

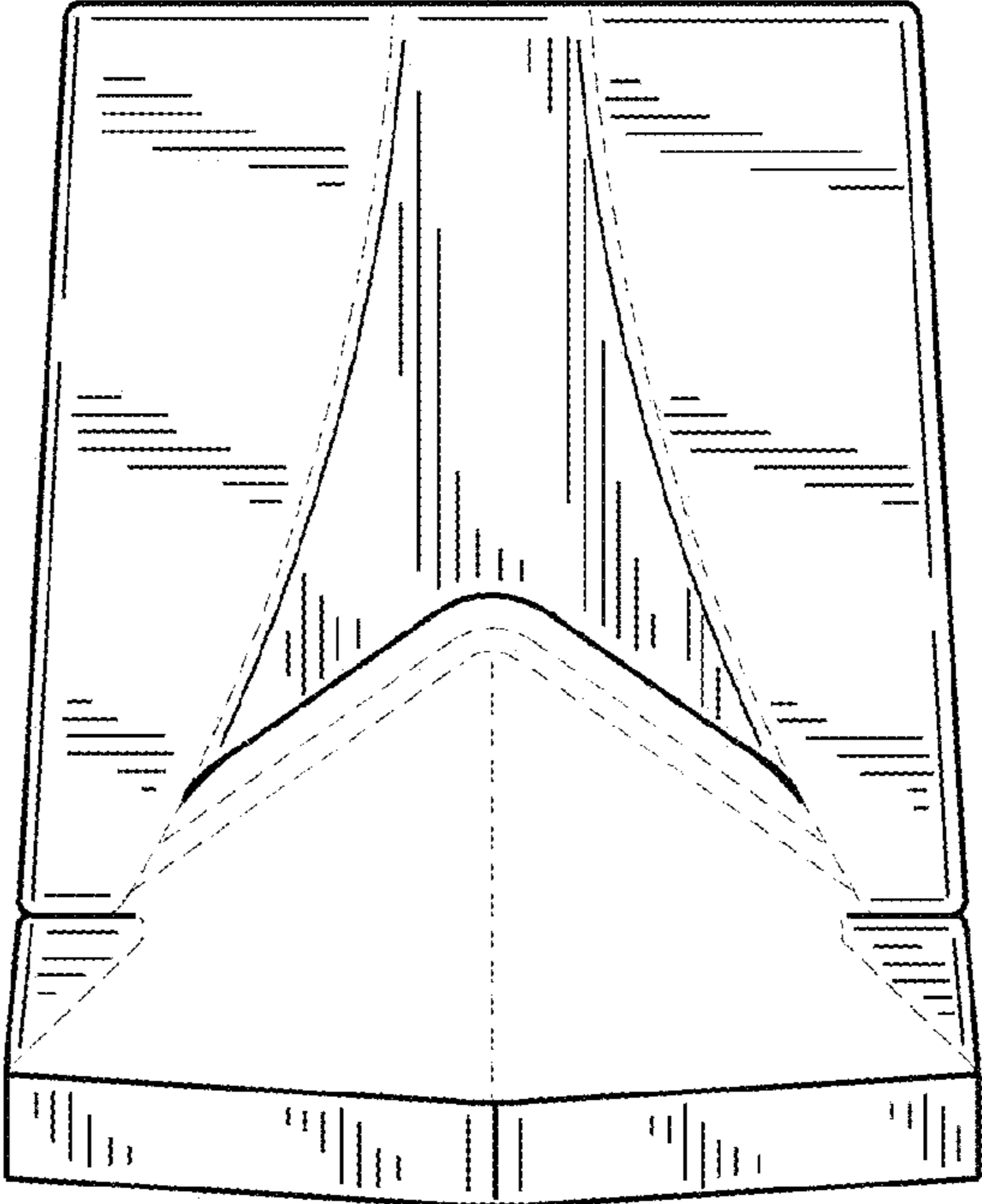


FIG. 2

FIG. 3

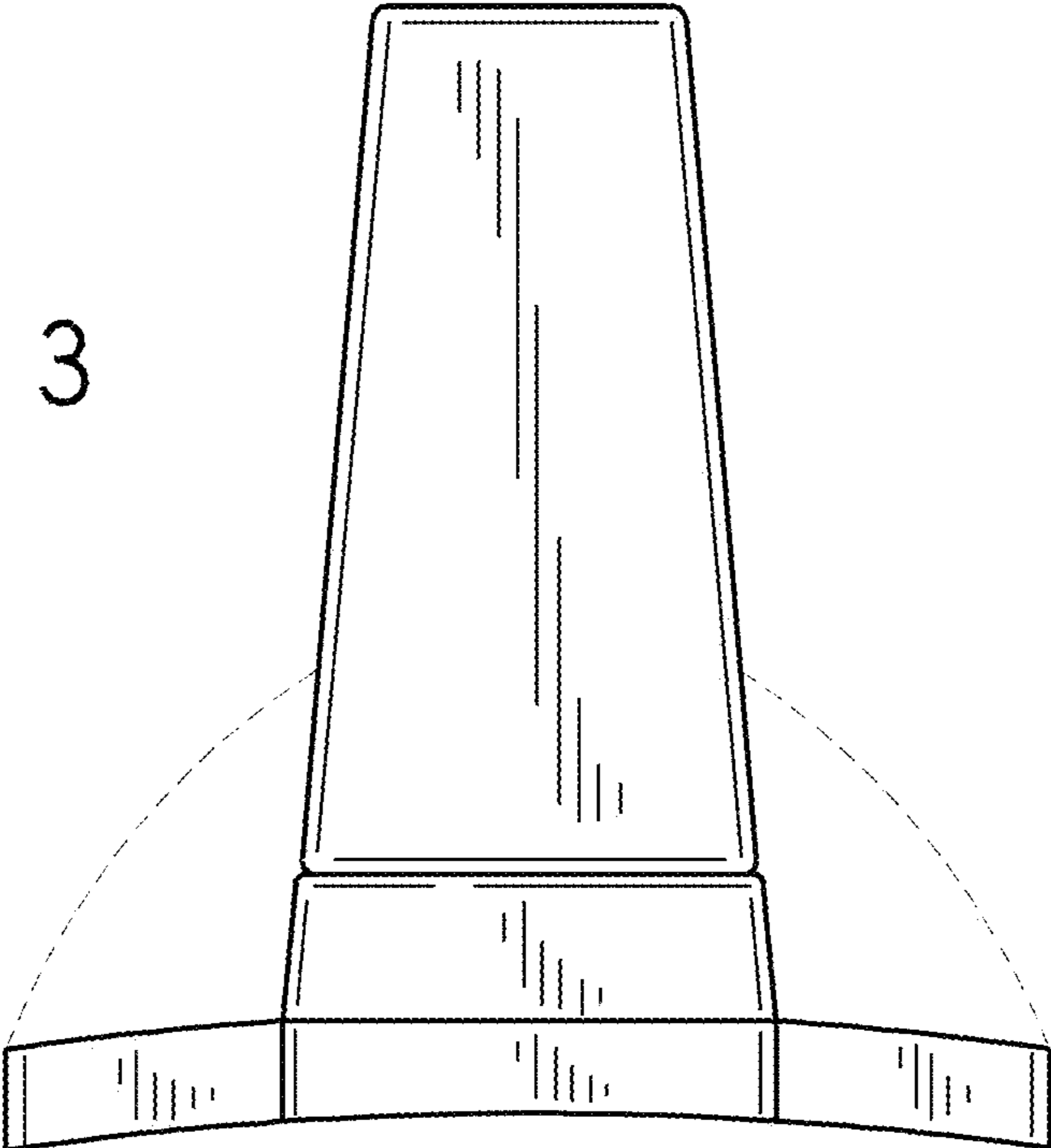


FIG. 4

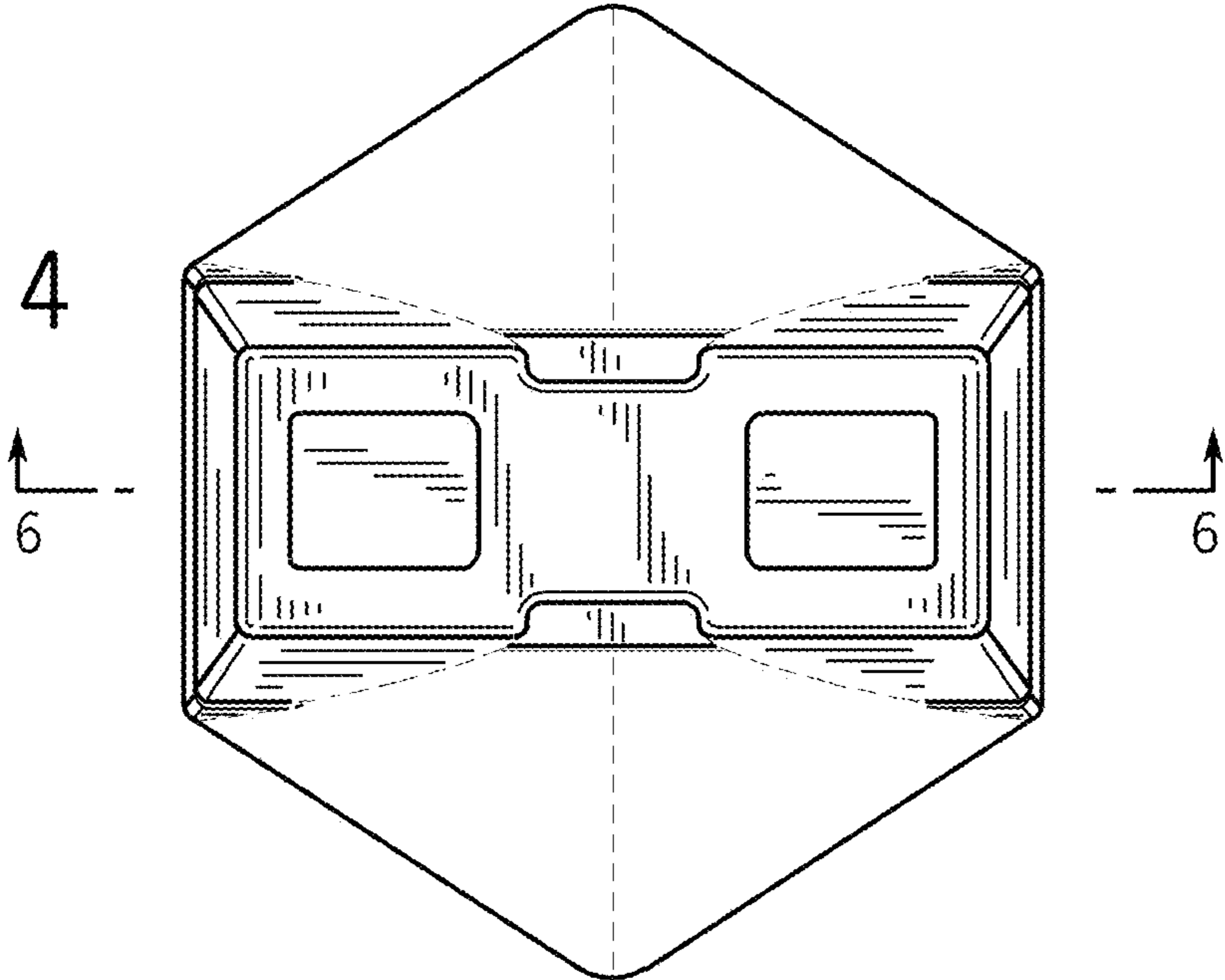


FIG. 5

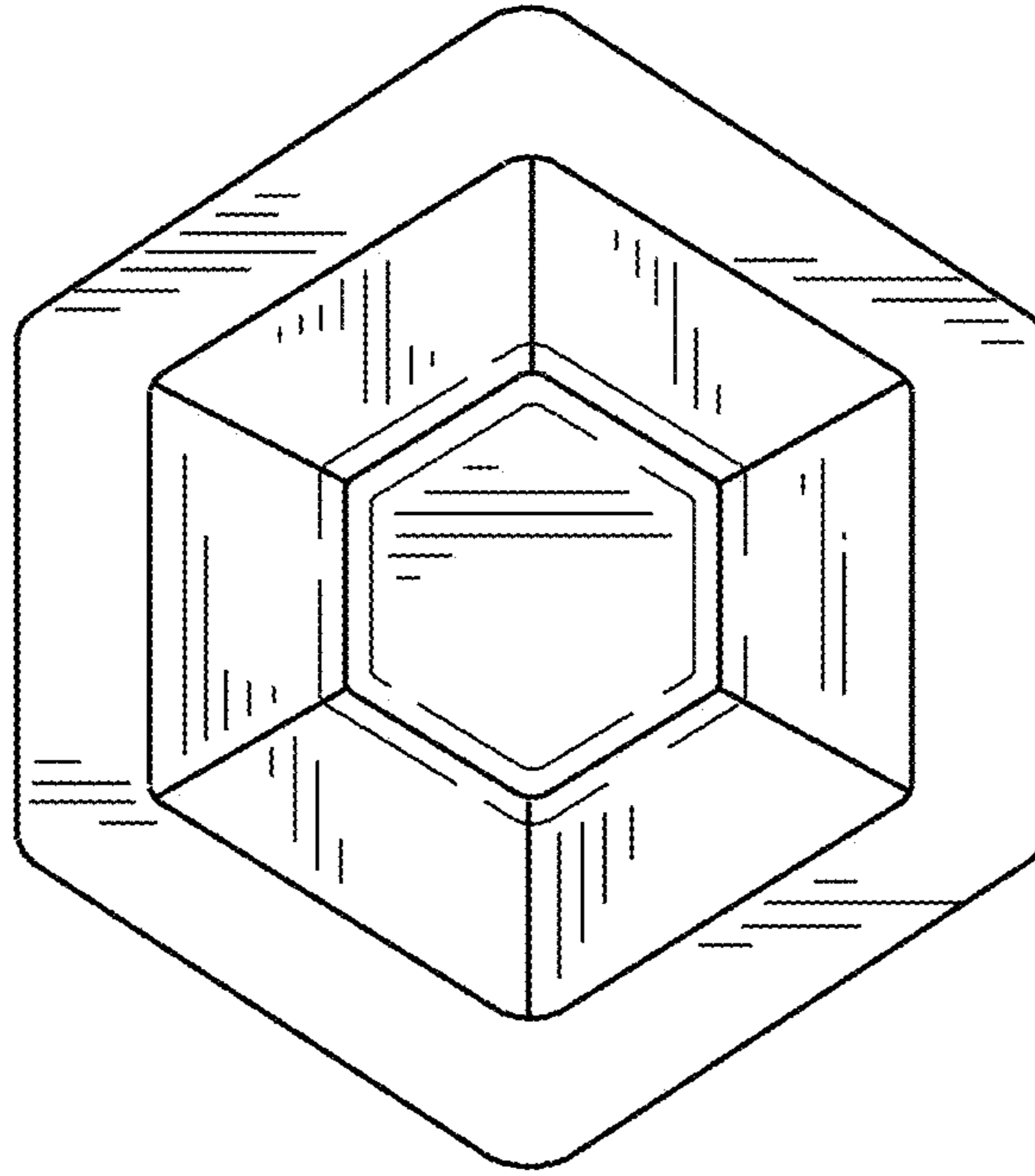
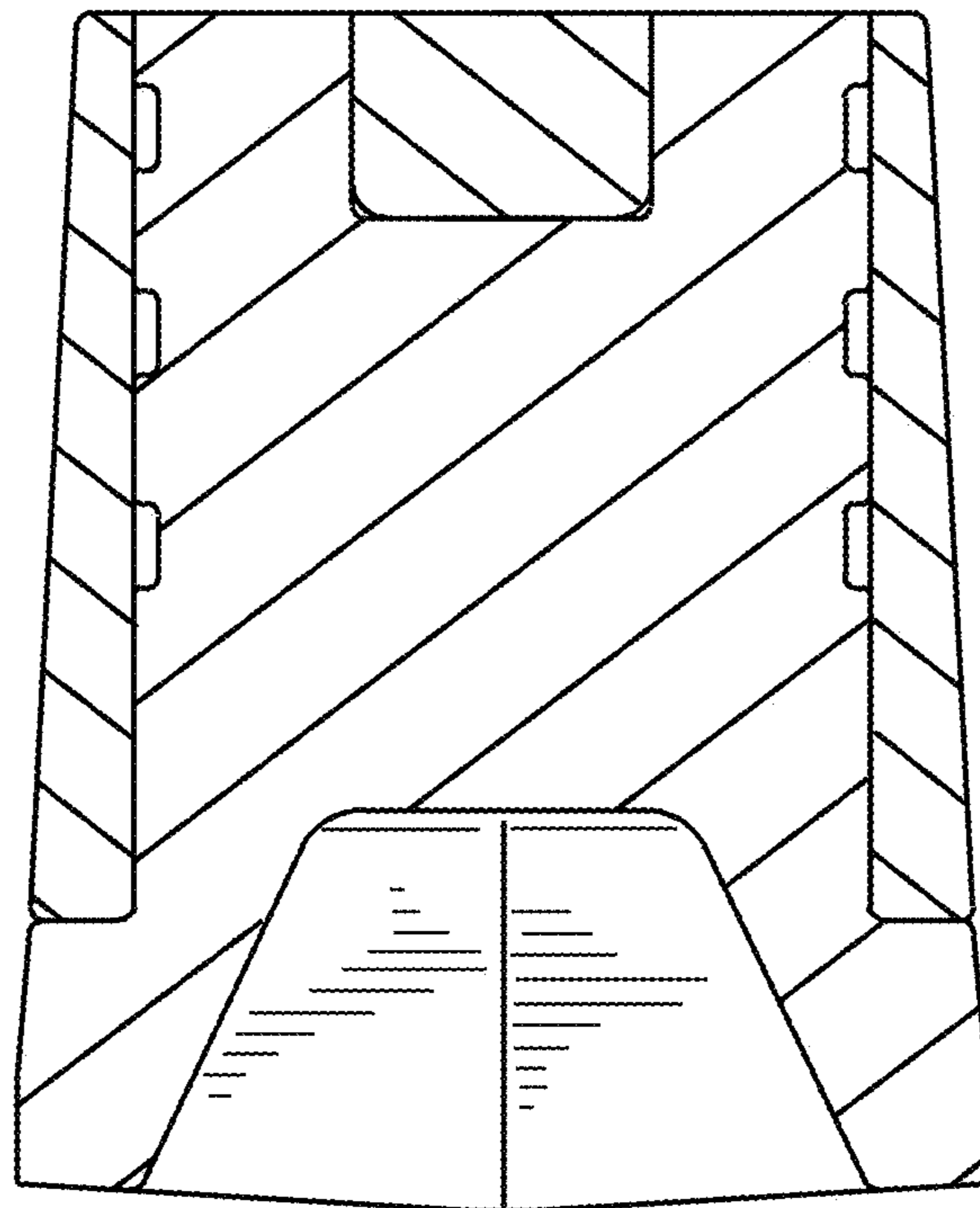


FIG. 6



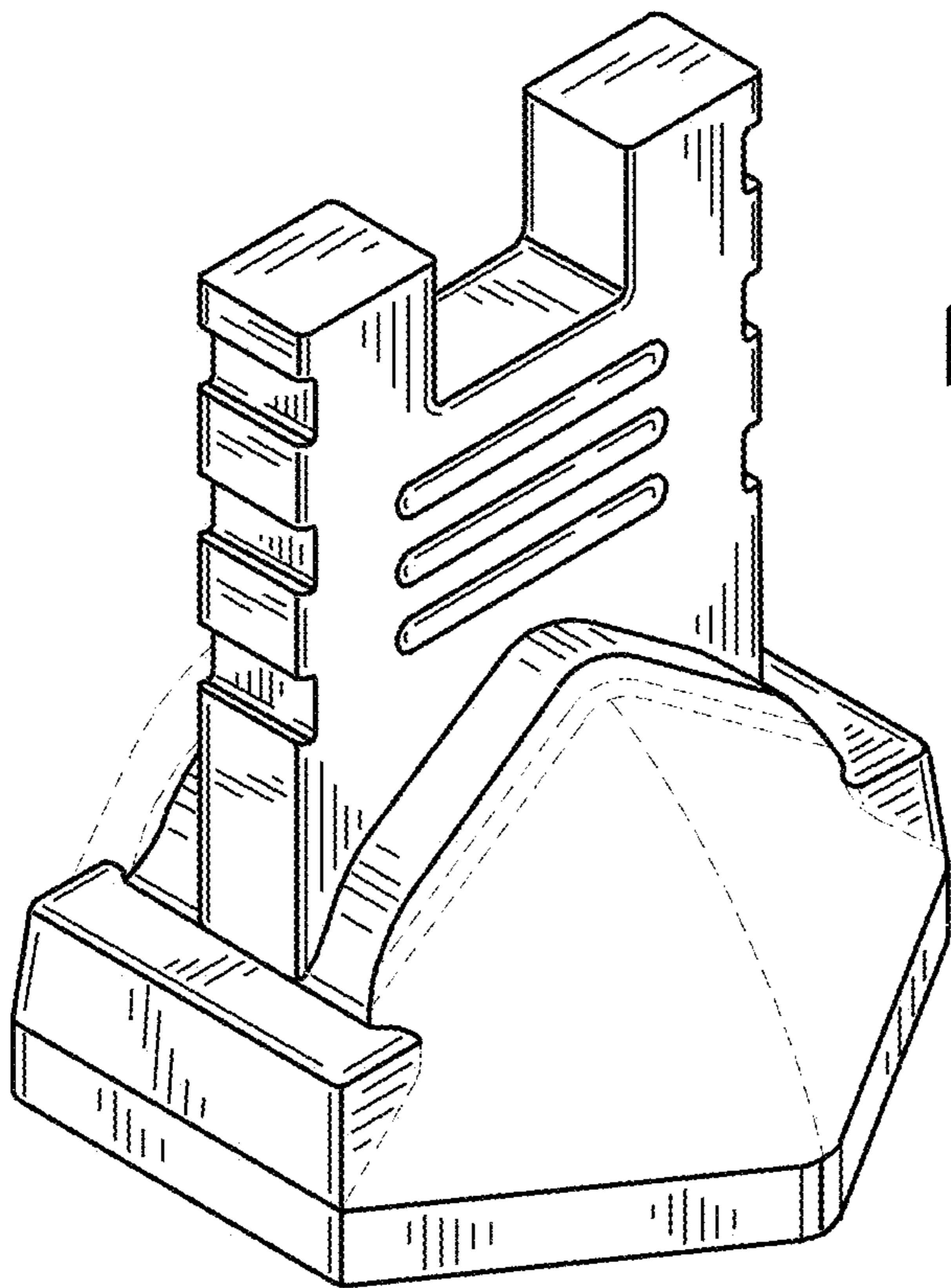


FIG. 7

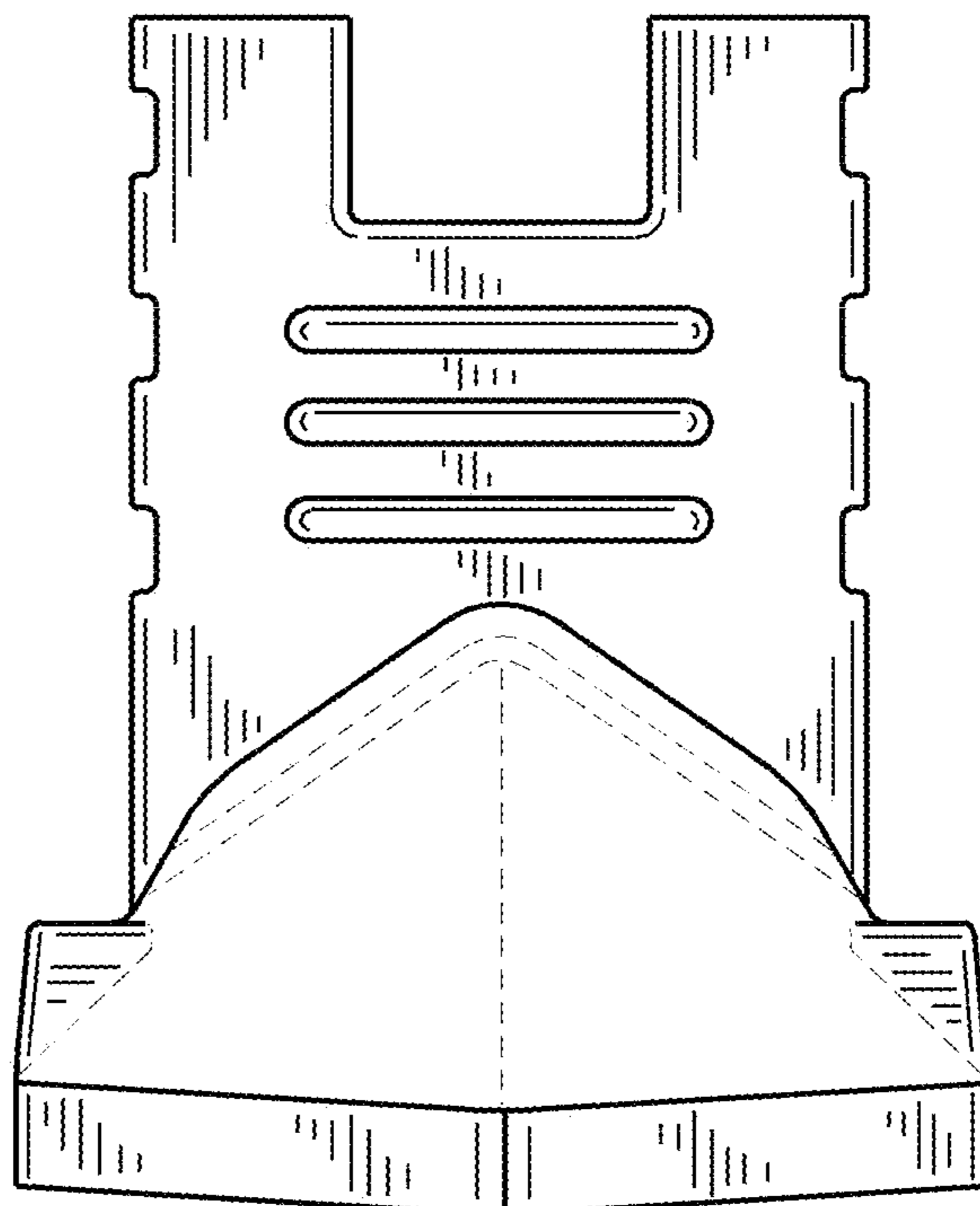


FIG. 8

FIG. 9

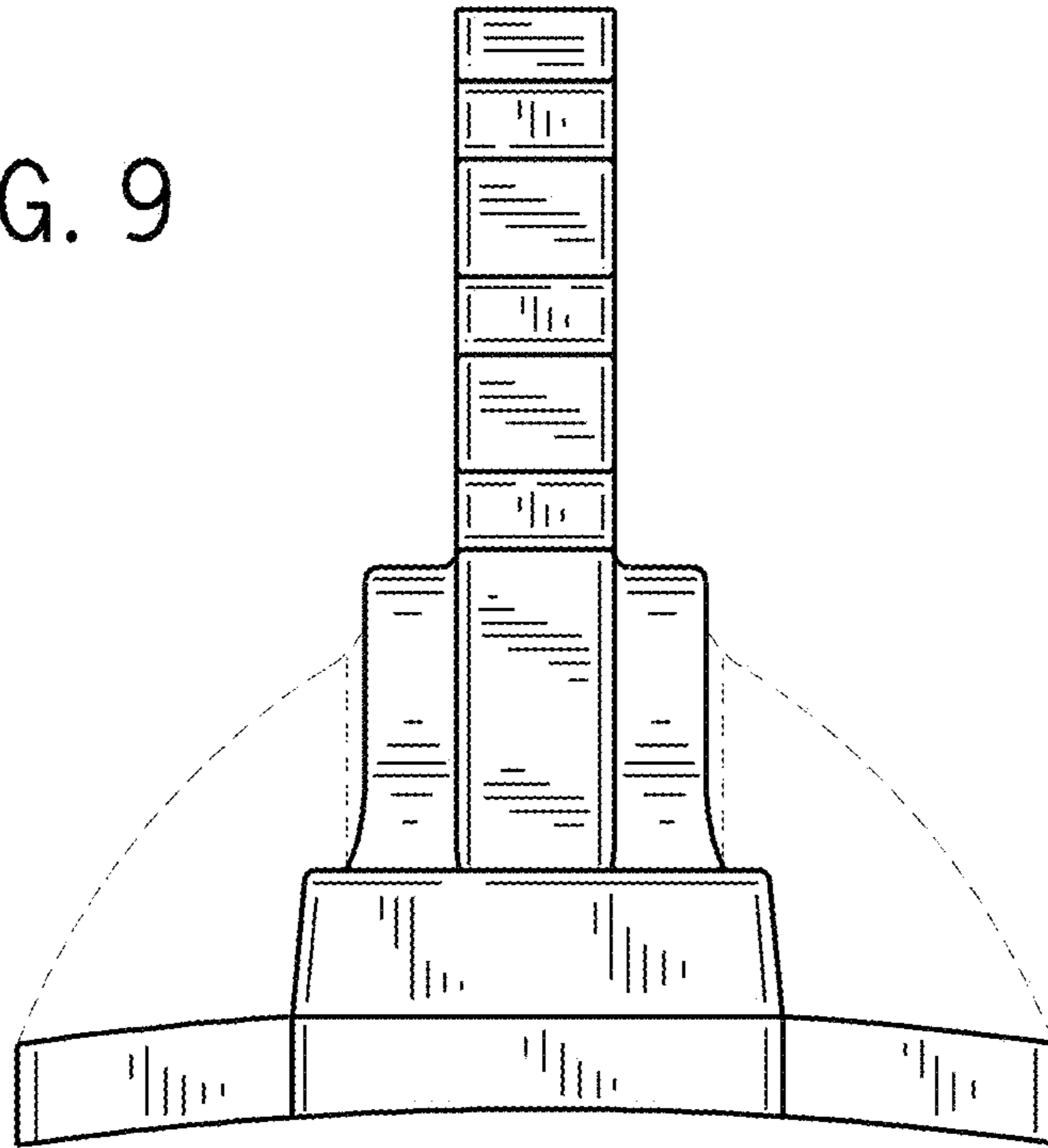


FIG. 10

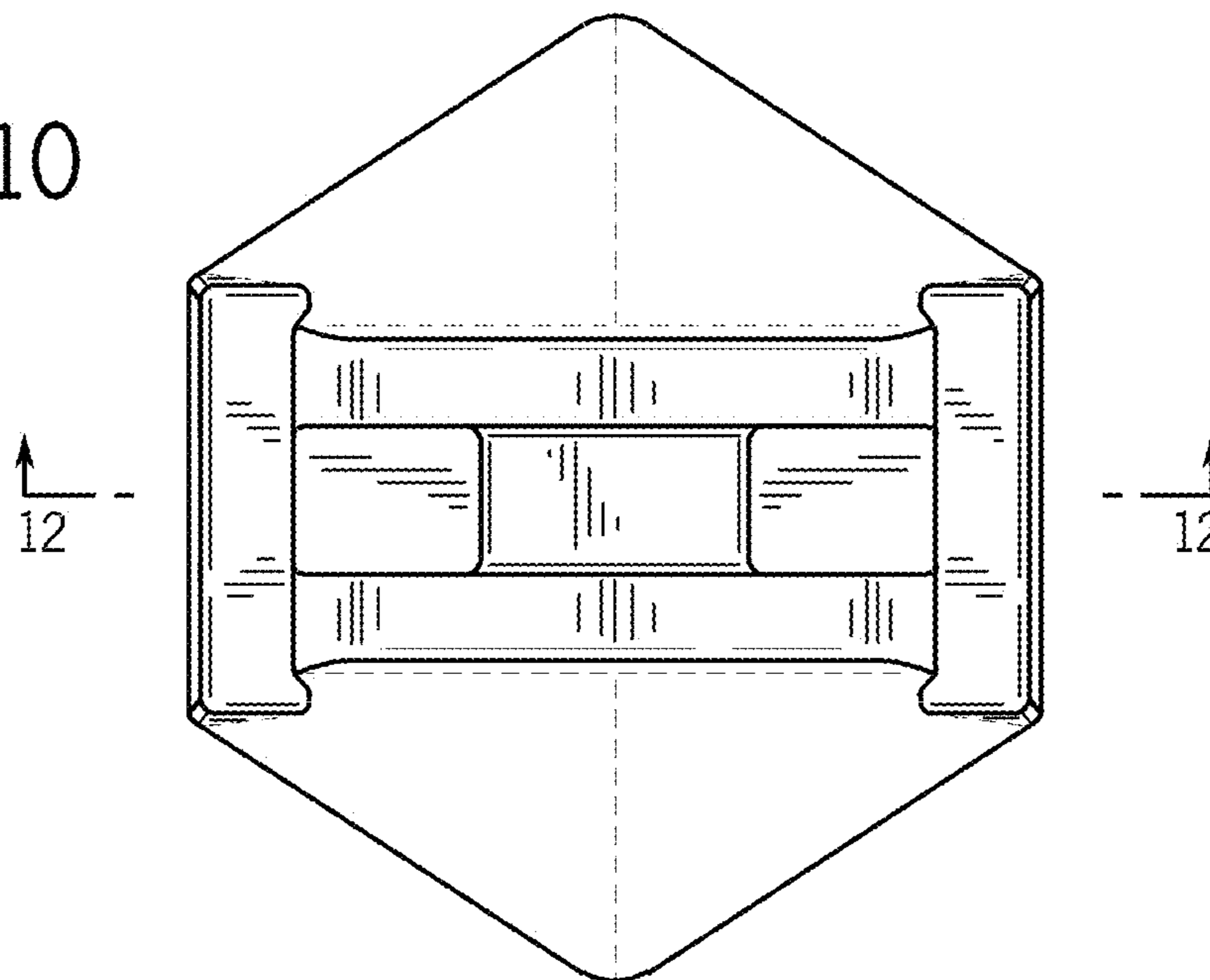


FIG. 11

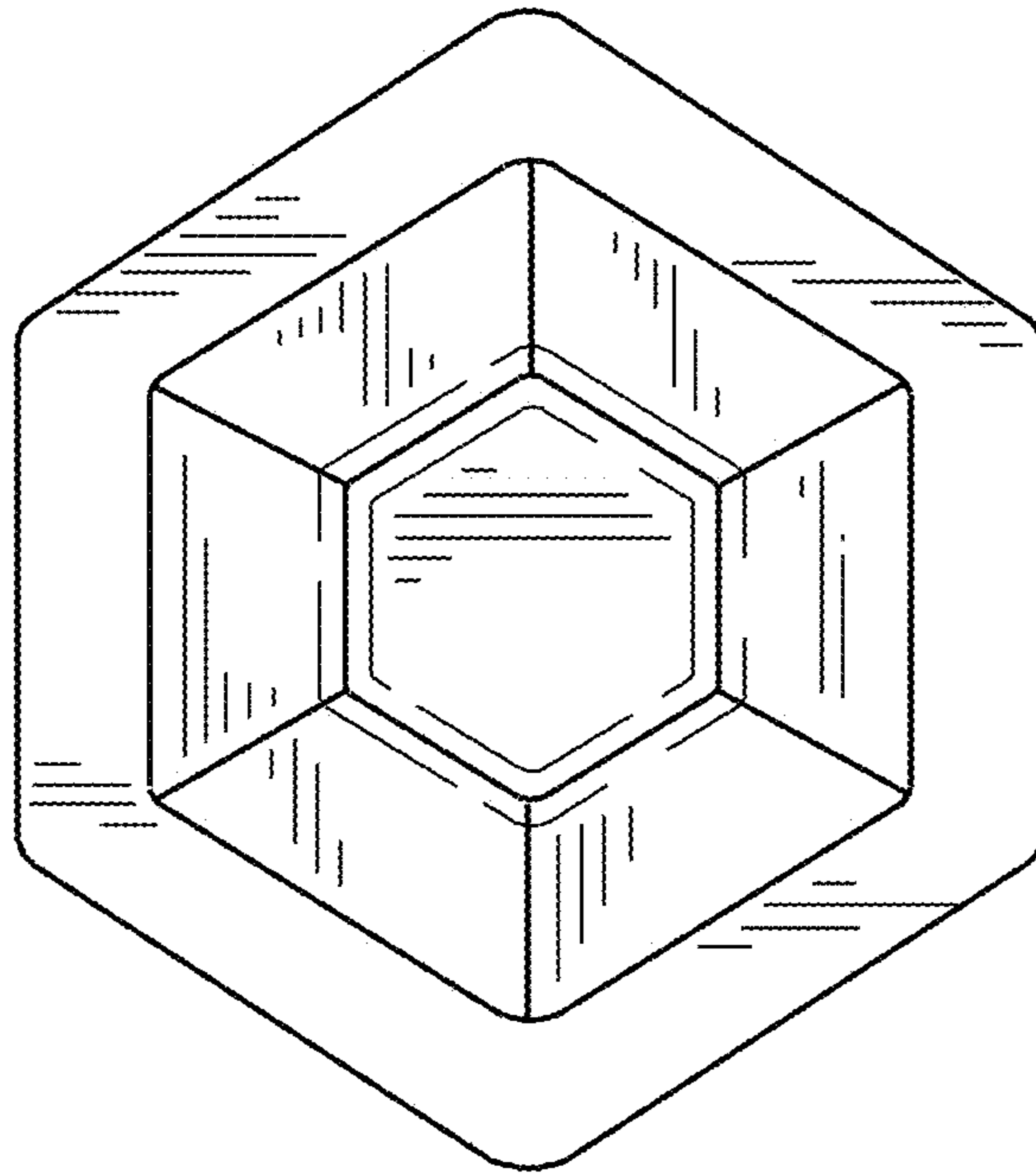
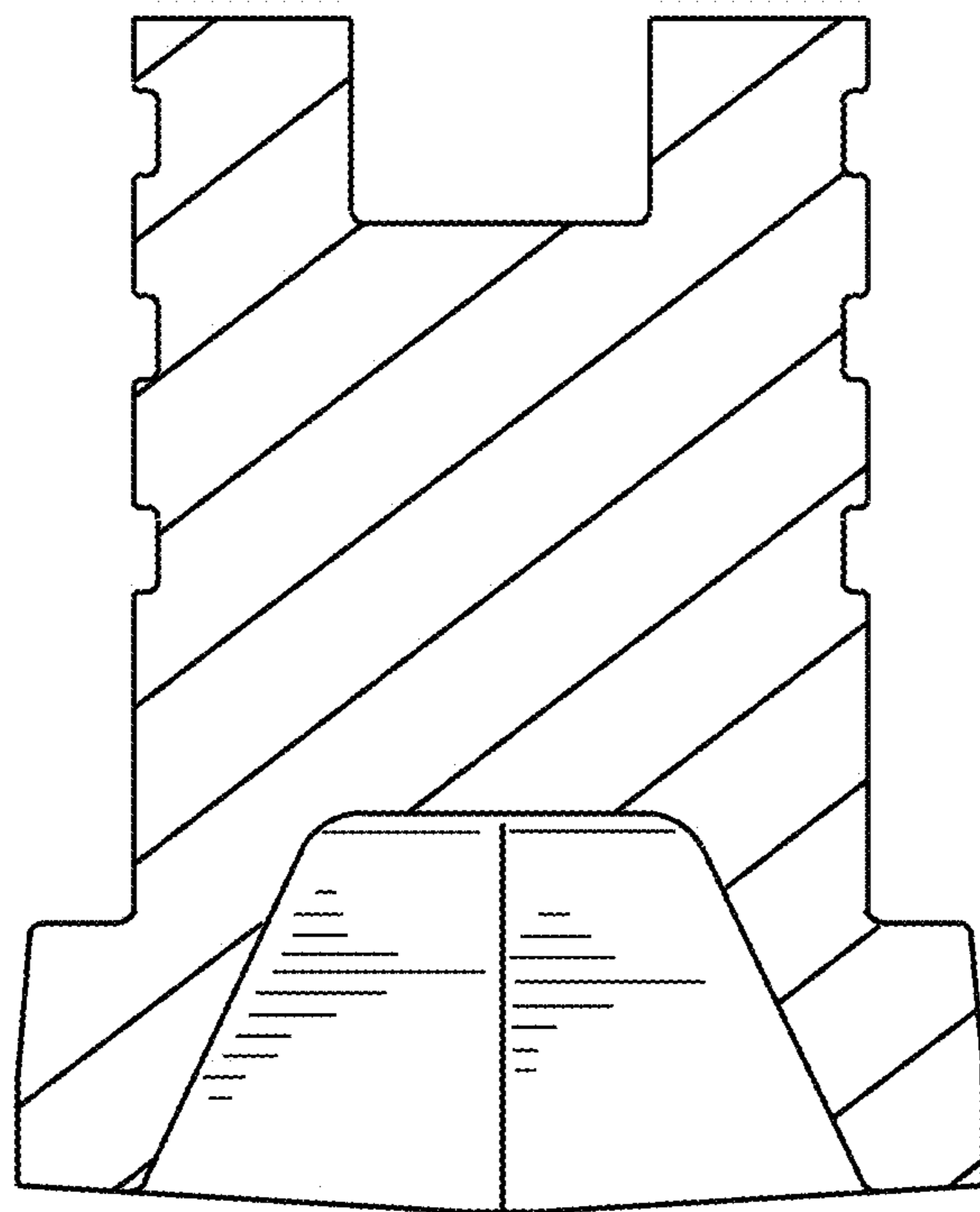


FIG. 12



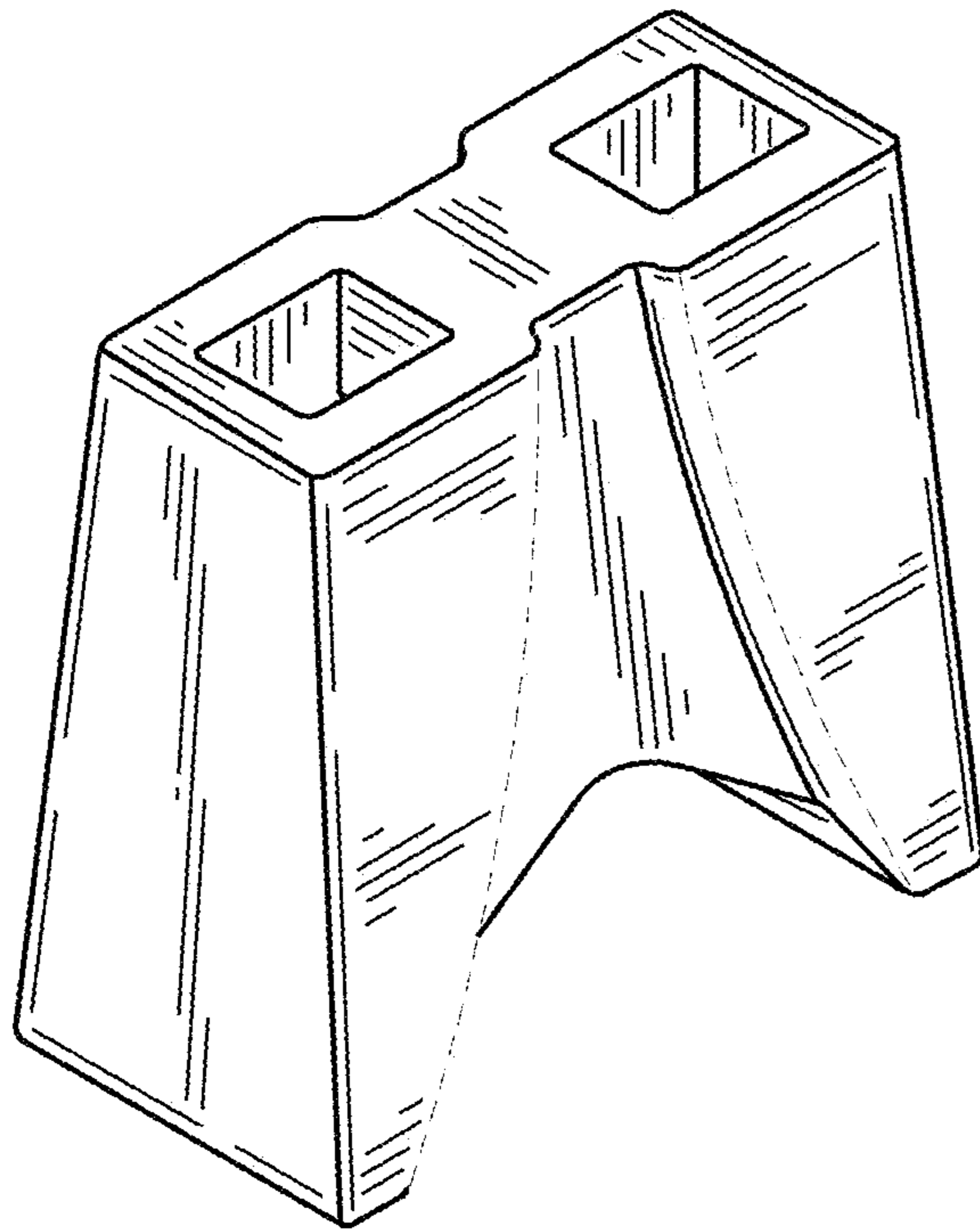


FIG. 13

FIG. 14

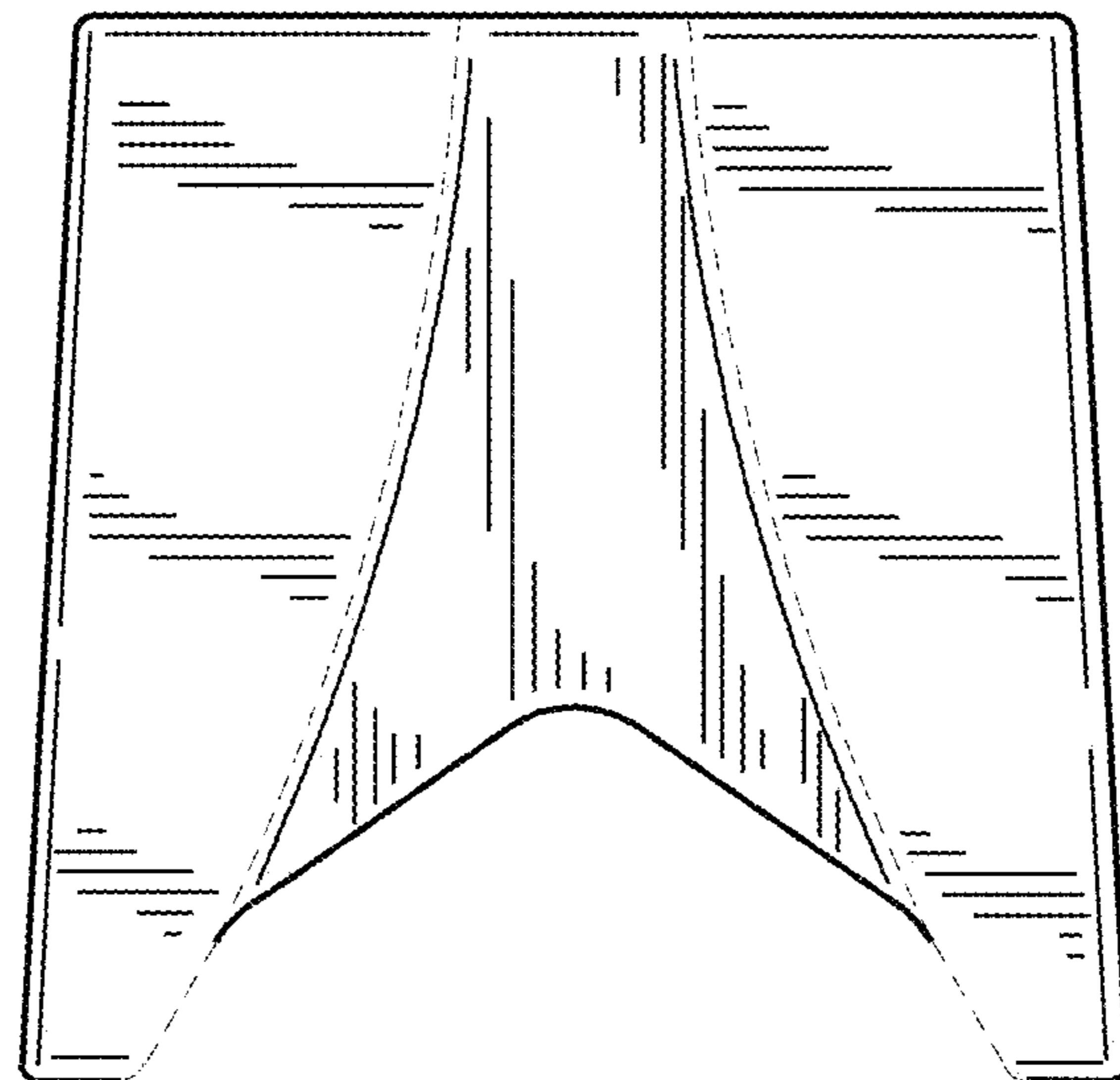


FIG. 15

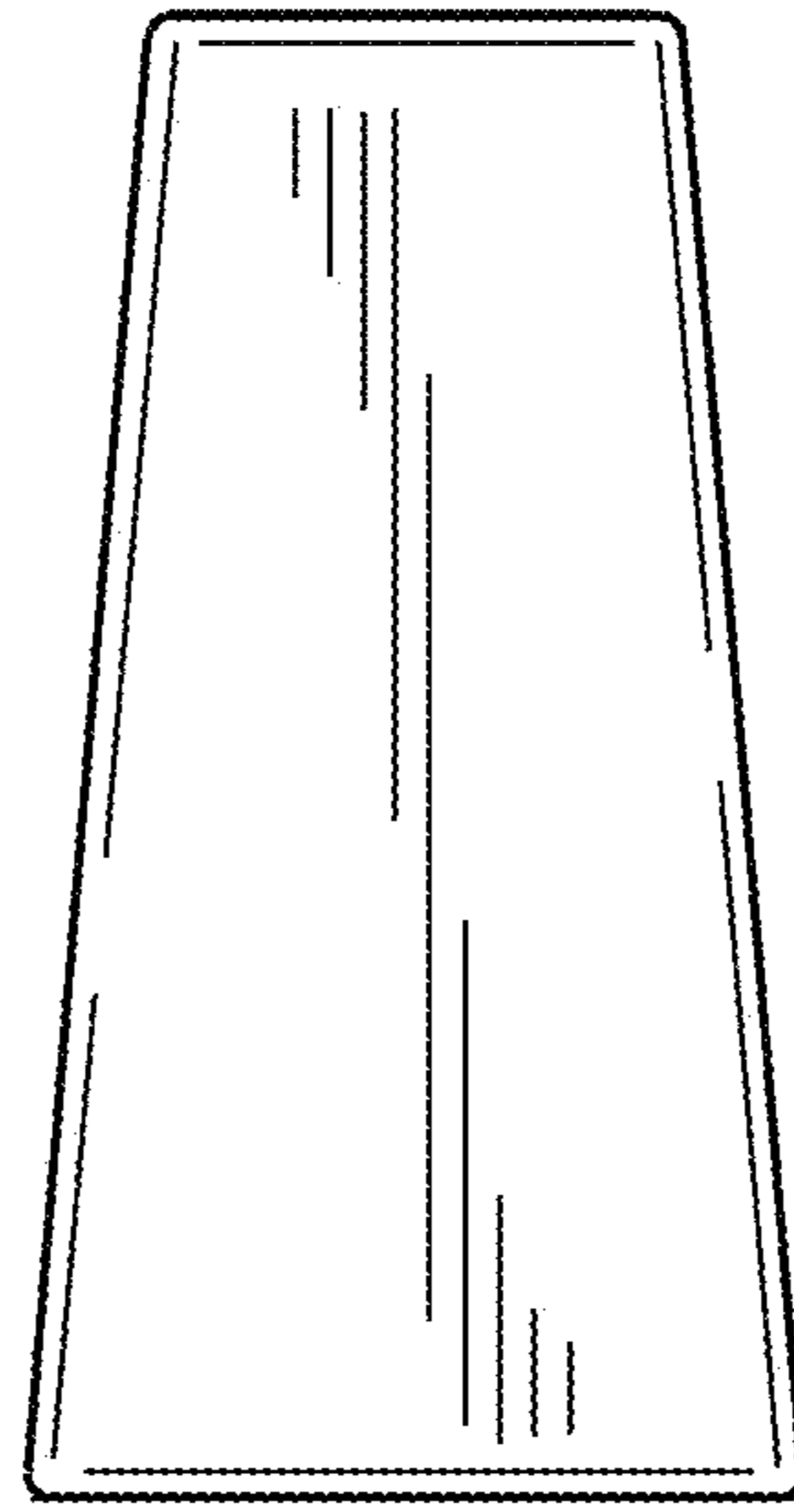
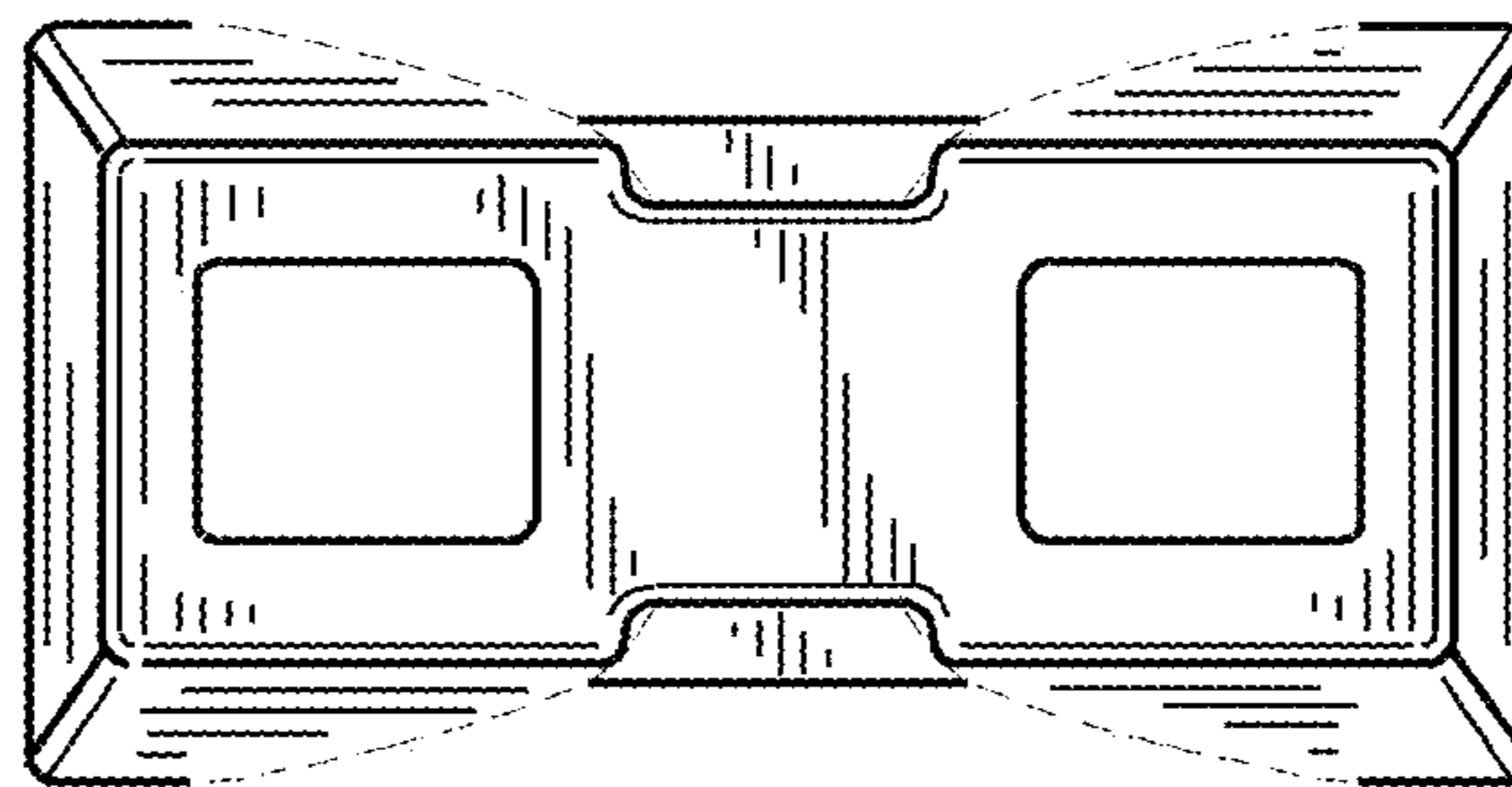


FIG. 16



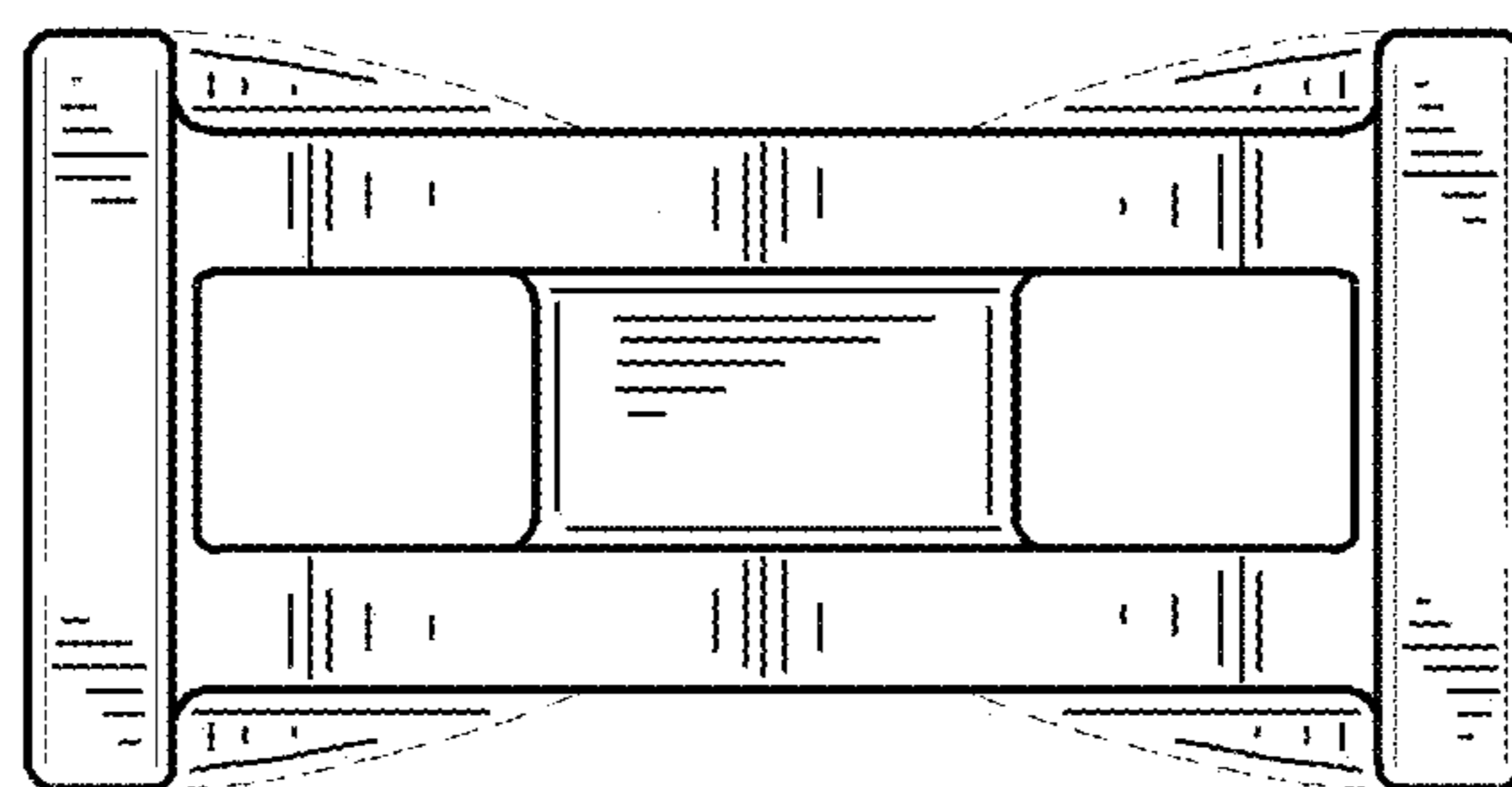


FIG. 17

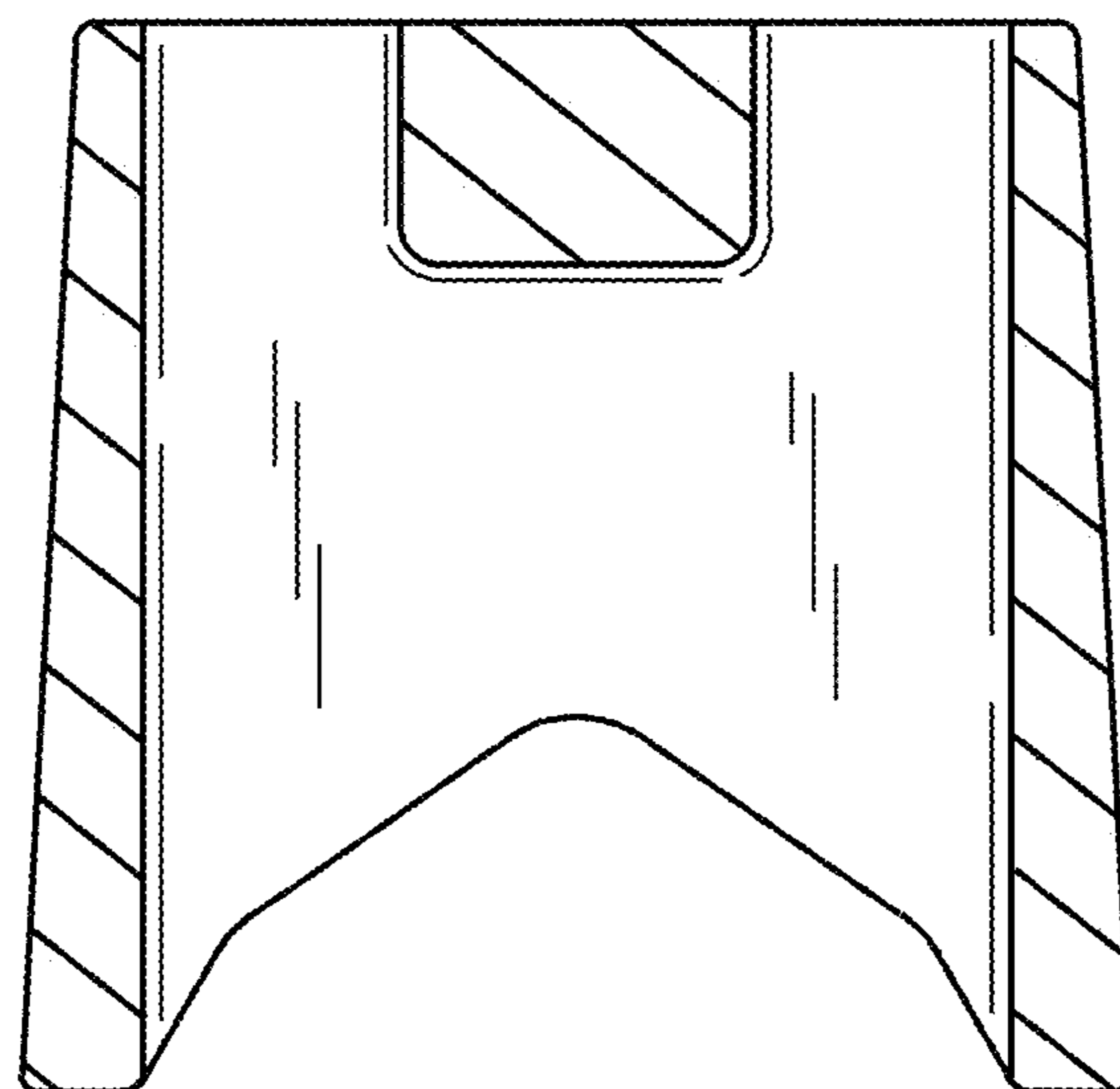


FIG. 18

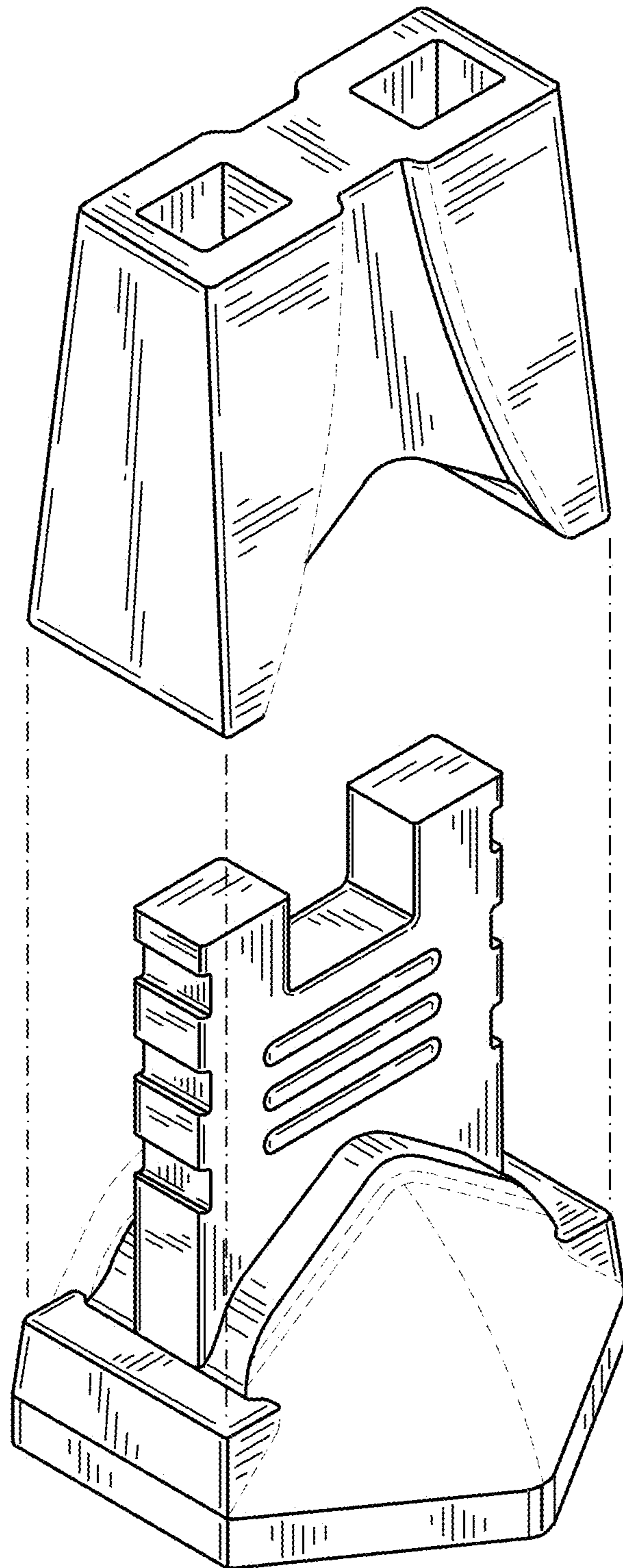


FIG. 19