



US00D729851S

(12) **United States Design Patent**
Kushita et al.

(10) **Patent No.:** **US D729,851 S**
(45) **Date of Patent:** **** May 19, 2015**

(54) **TRACTOR**

(71) Applicant: **Kubota Corporation**, Osaka-shi (JP)

(72) Inventors: **Yoshihiro Kushita**, Sakai (JP);
Motonari Inaoka, Sakai (JP)

(73) Assignee: **Kubota Corporation**, Osaka (JP)

(**) Term: **14 Years**

(21) Appl. No.: **29/501,387**

(22) Filed: **Sep. 3, 2014**

(30) **Foreign Application Priority Data**

Jul. 3, 2014 (JP) 2014-014641

(51) **LOC (10) Cl.** **12-09**

(52) **U.S. Cl.**
USPC **D15/23**

(58) **Field of Classification Search**
USPC D15/10, 14-17, 22-26, 30, 33; 56/13.3,
56/13.4, 15.8, 15.9, 16.1, 16.7, 175, 202;
180/89.1, 89.12, 900

See application file for complete search history.

(56) **References Cited**

U.S. PATENT DOCUMENTS

D312,643 S * 12/1990 Goyen et al. D15/23
D440,234 S * 4/2001 Katoh et al. D15/23

D555,674 S * 11/2007 Kuwae et al. D15/23
D564,544 S * 3/2008 Higashikawa et al. D15/23
D613,776 S * 4/2010 Bianco et al. D15/33
D613,777 S * 4/2010 Bianco et al. D15/33
D668,270 S * 10/2012 Kushita et al. D15/23
D671,562 S * 11/2012 Adamson et al. D15/23
D682,321 S * 5/2013 Adamson et al. D15/23

* cited by examiner

Primary Examiner — Mark Goodwin

(74) *Attorney, Agent, or Firm* — The Webb Law Firm

(57) **CLAIM**

The ornamental design for a tractor, as shown and described.

DESCRIPTION

FIG. 1 is a front view of a tractor, showing our new design;
FIG. 2 is a rear view thereof;
FIG. 3 is a left side view thereof;
FIG. 4 is a right side view thereof;
FIG. 5 is a top view thereof;
FIG. 6 is an upper left rear perspective view thereof;
FIG. 7 is another front view thereof;
FIG. 8 is another rear view thereof;
FIG. 9 is another left side view thereof;
FIG. 10 is another right side view thereof; and,
FIG. 11 is another top view thereof.

The portions of the tractor illustrated in gray in FIGS. 7-11 are transparent surfaces.

A bottom view is omitted because it is plain and unornamental and forms no part of the subject matter of the claimed design.

1 Claim, 11 Drawing Sheets

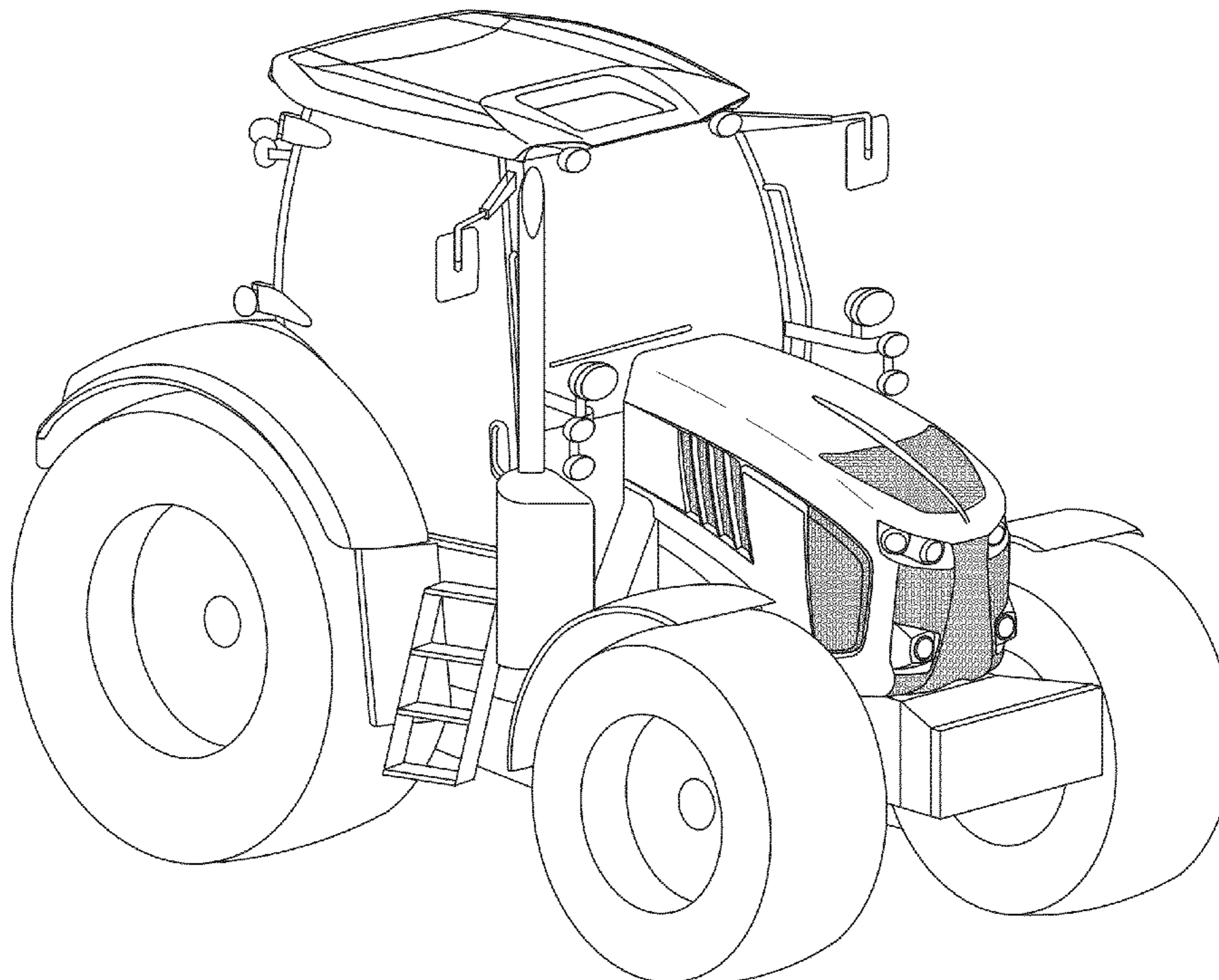


Fig.1

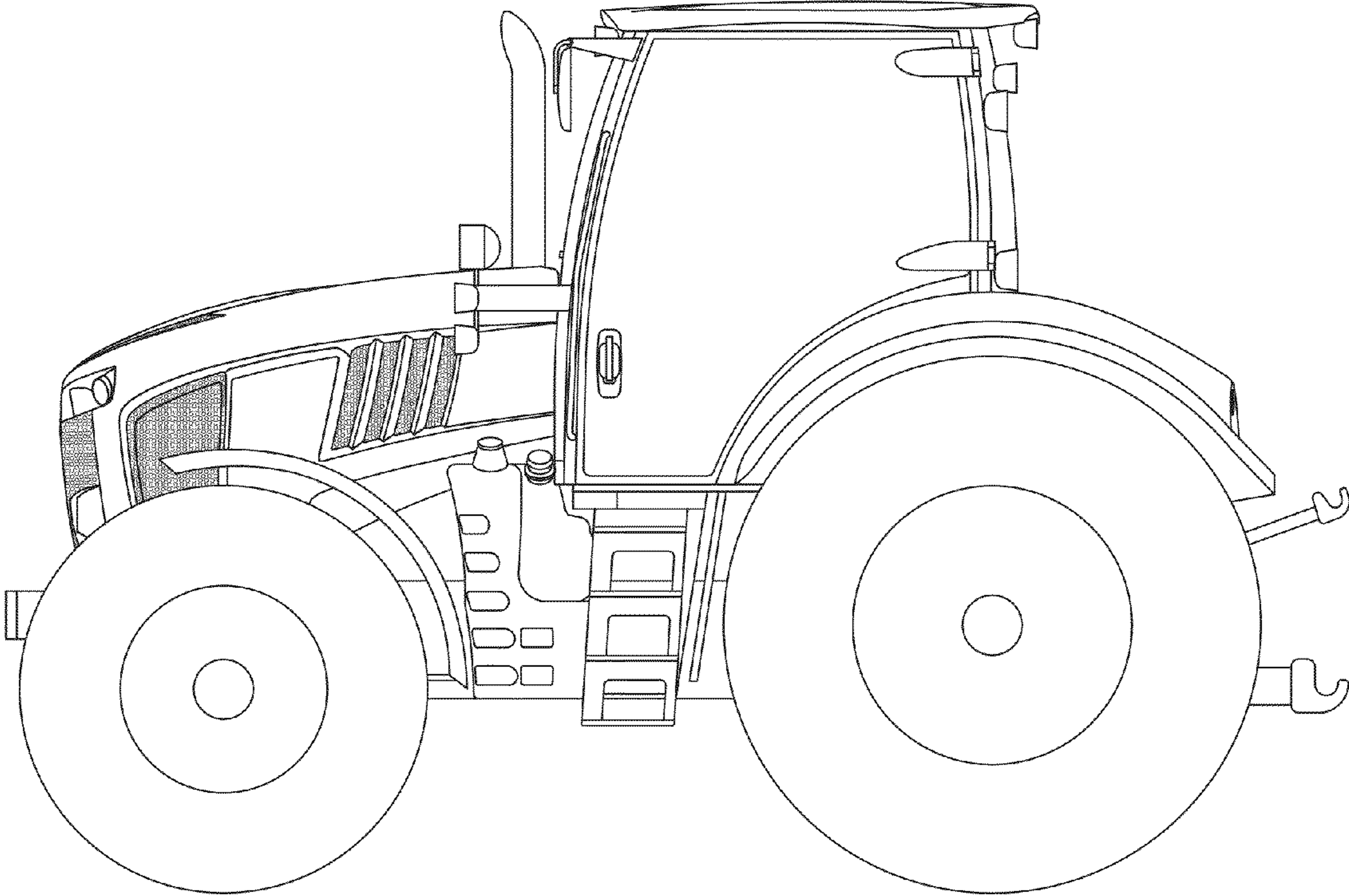


Fig.2

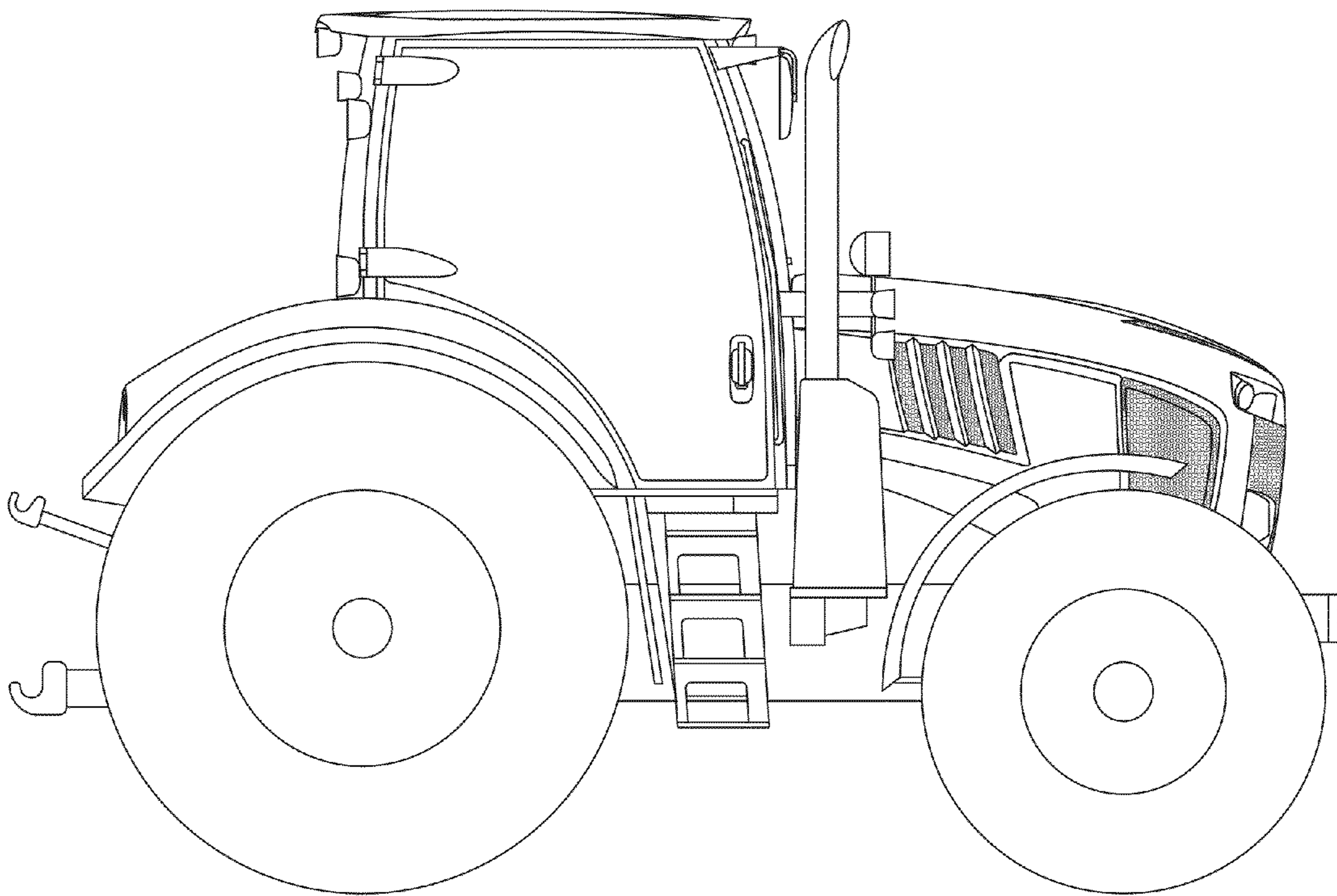


Fig.3

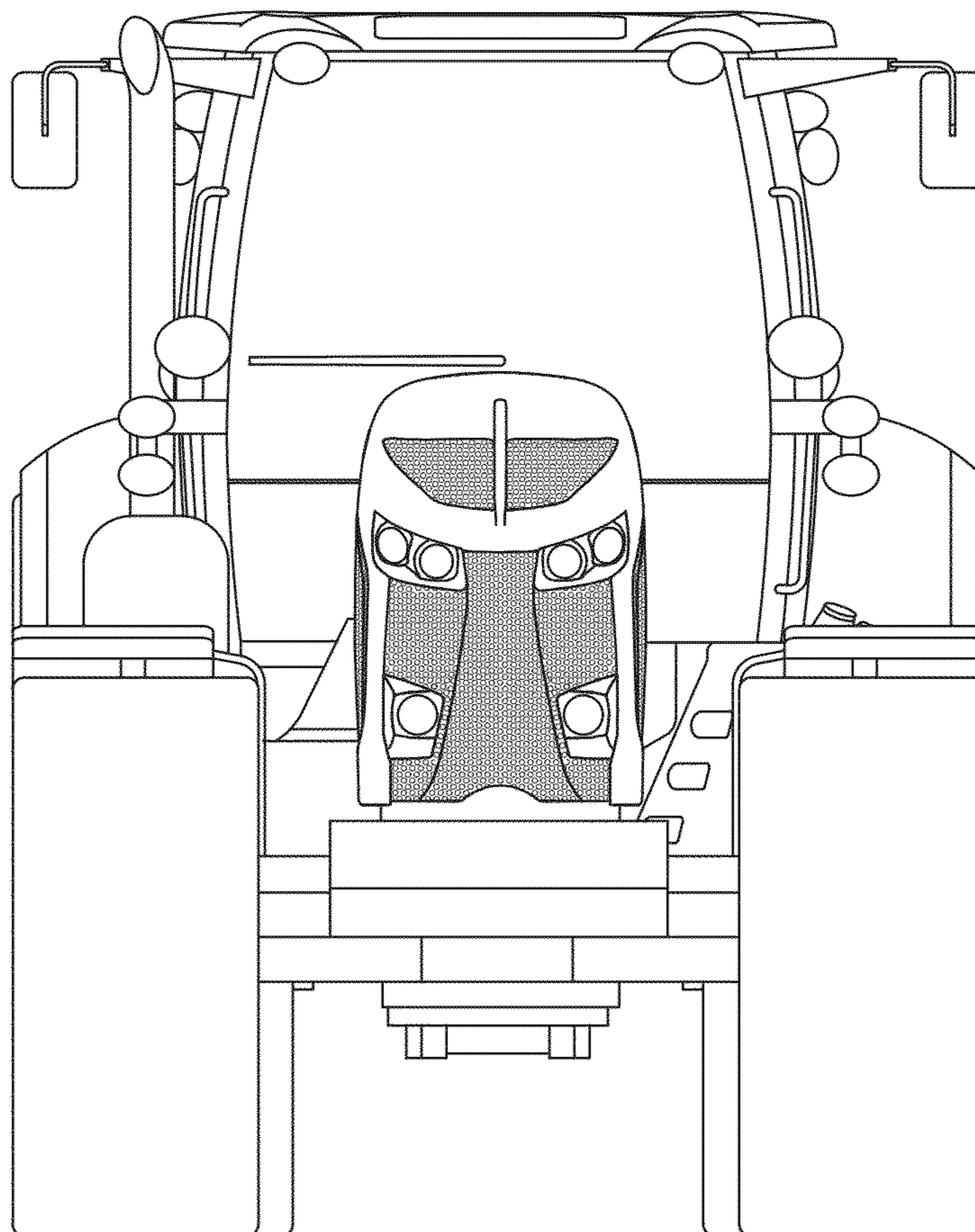


Fig.4

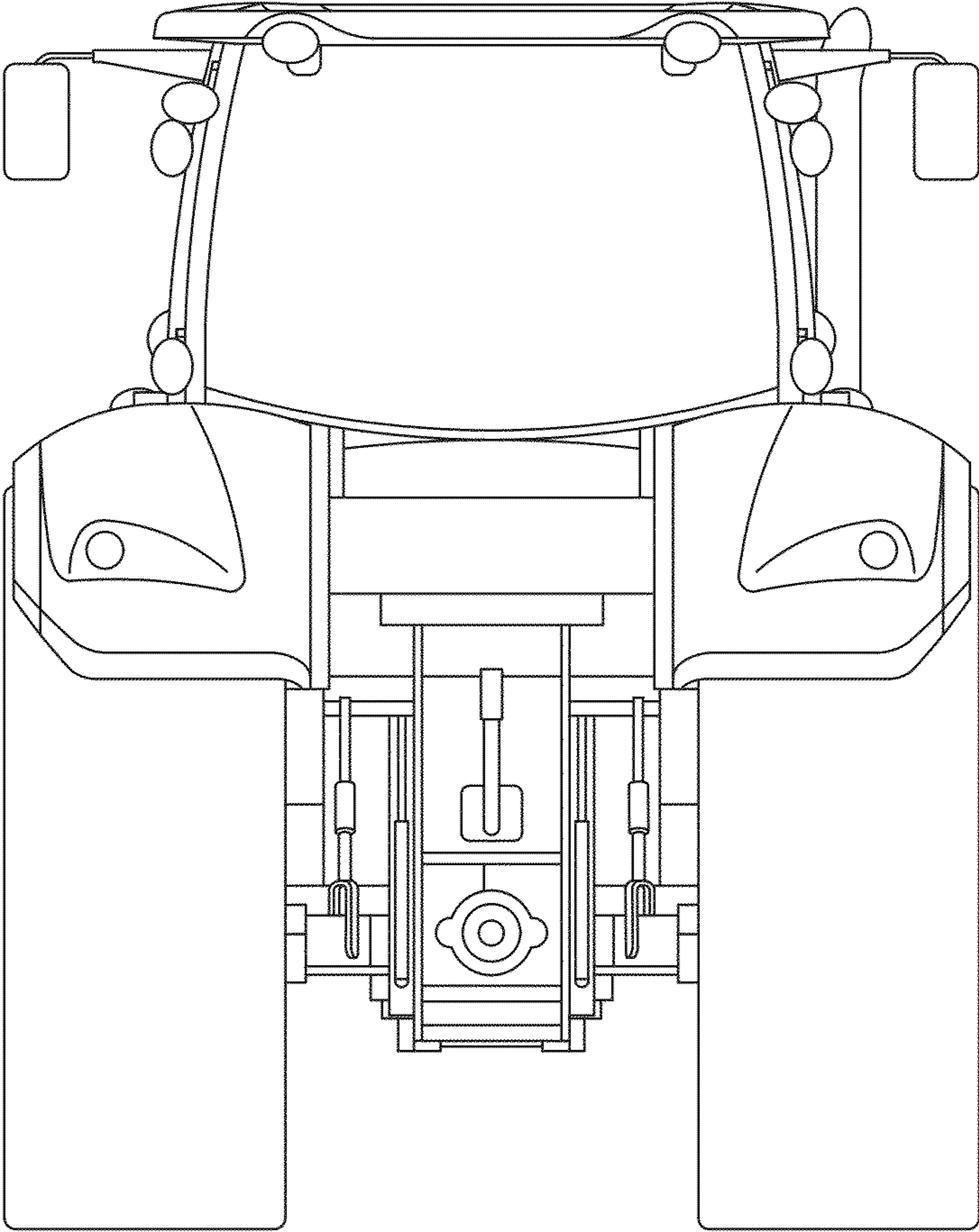


Fig.5

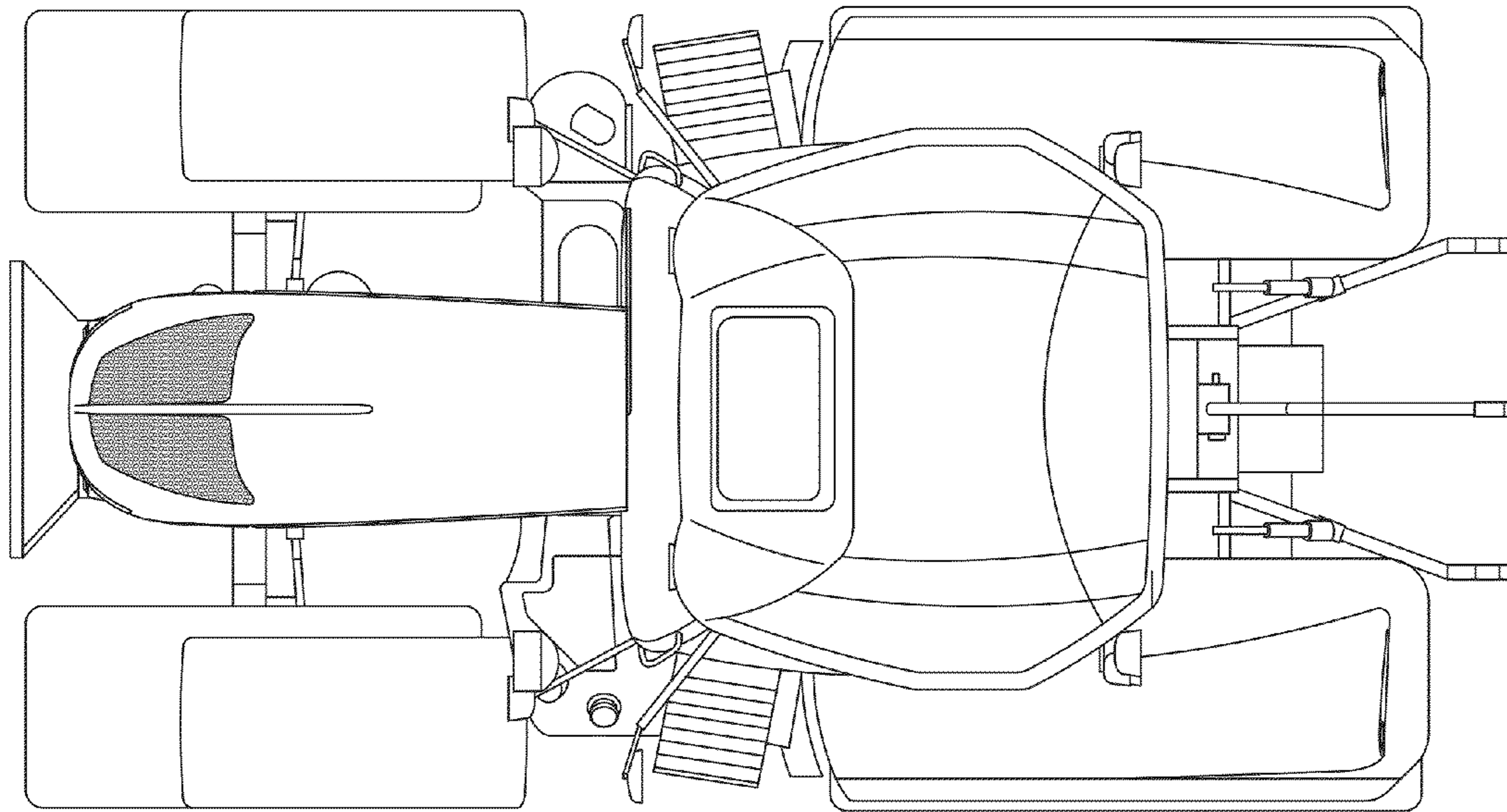


Fig.6

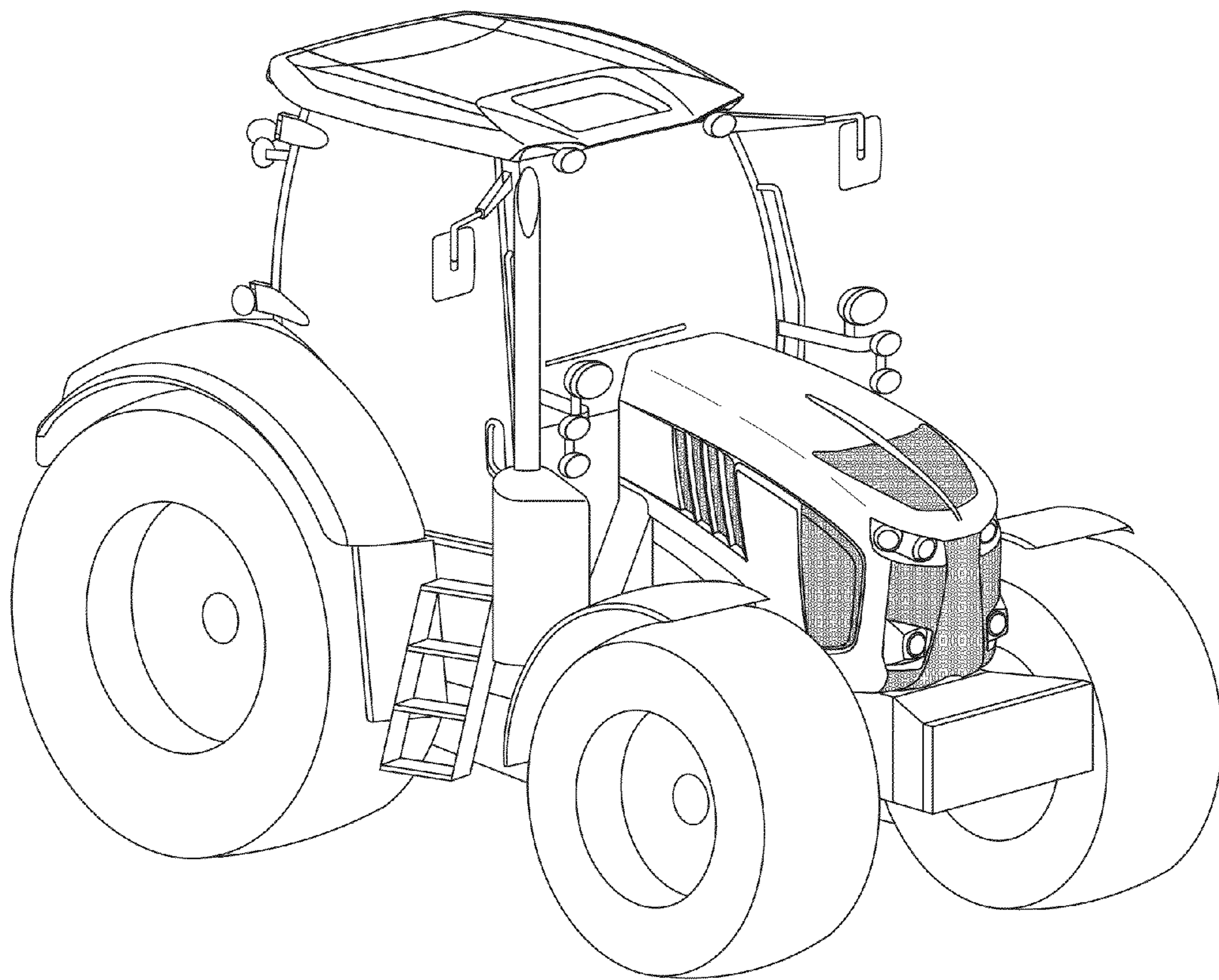


Fig.7

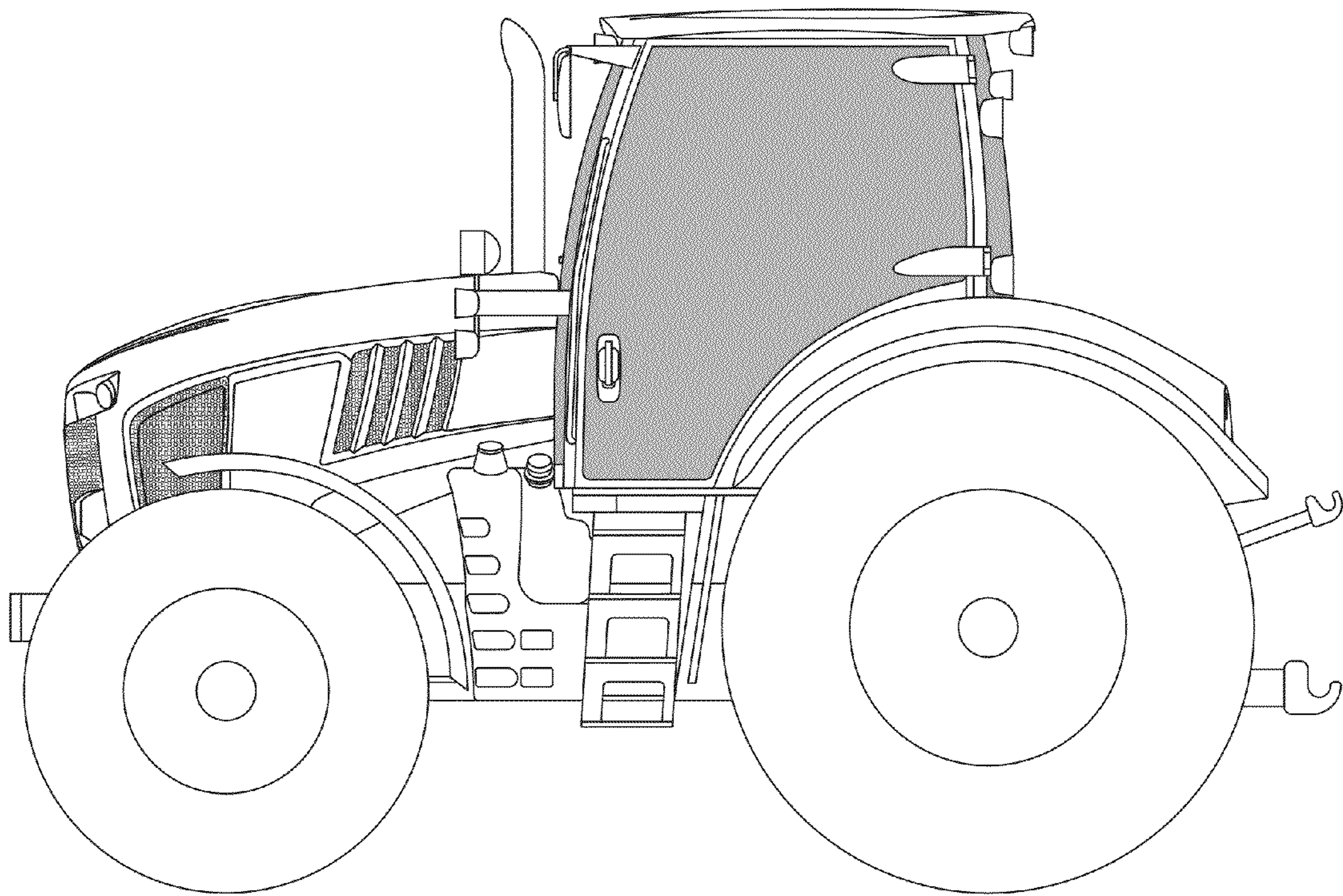


Fig.8

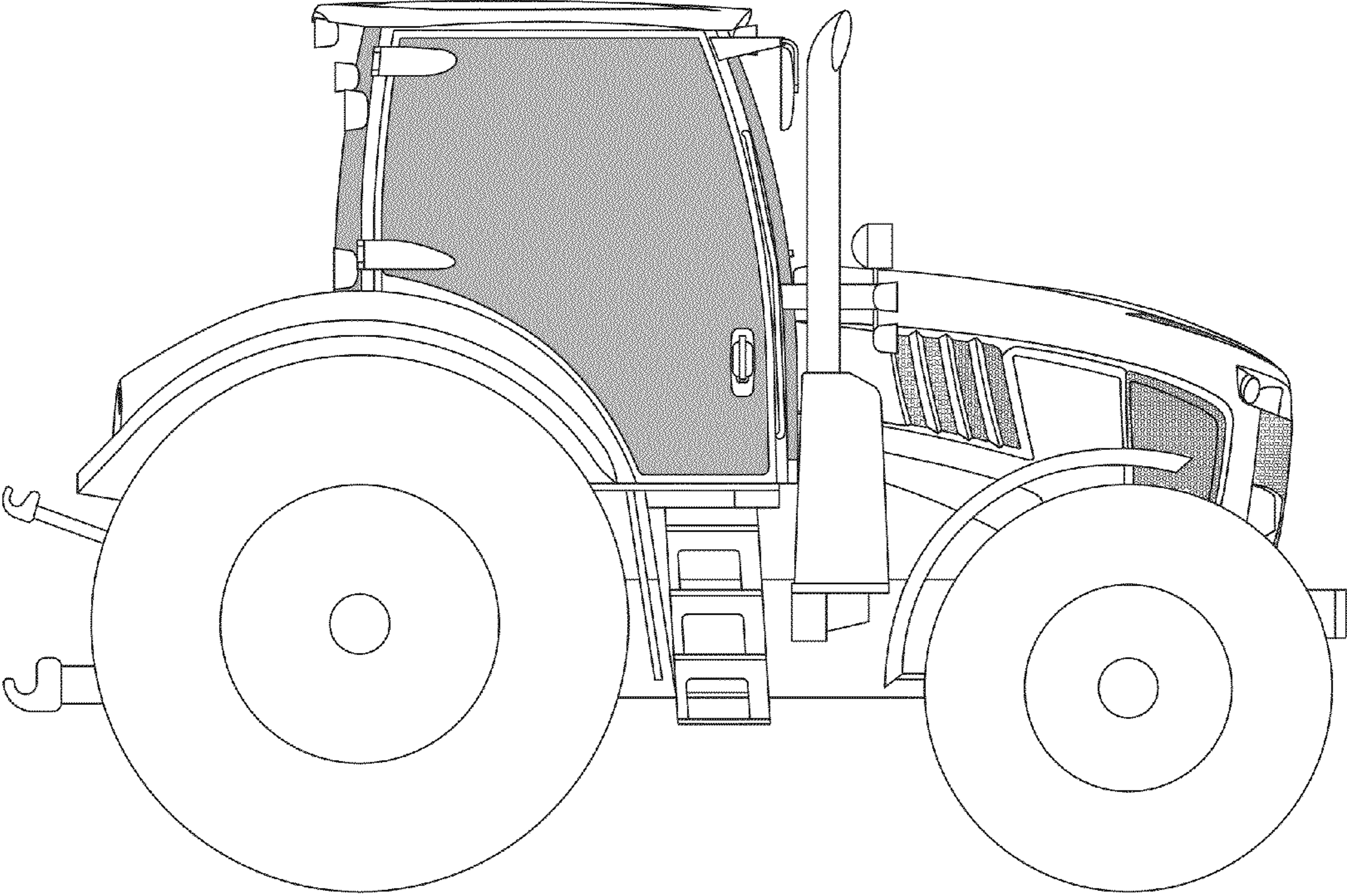


Fig.9

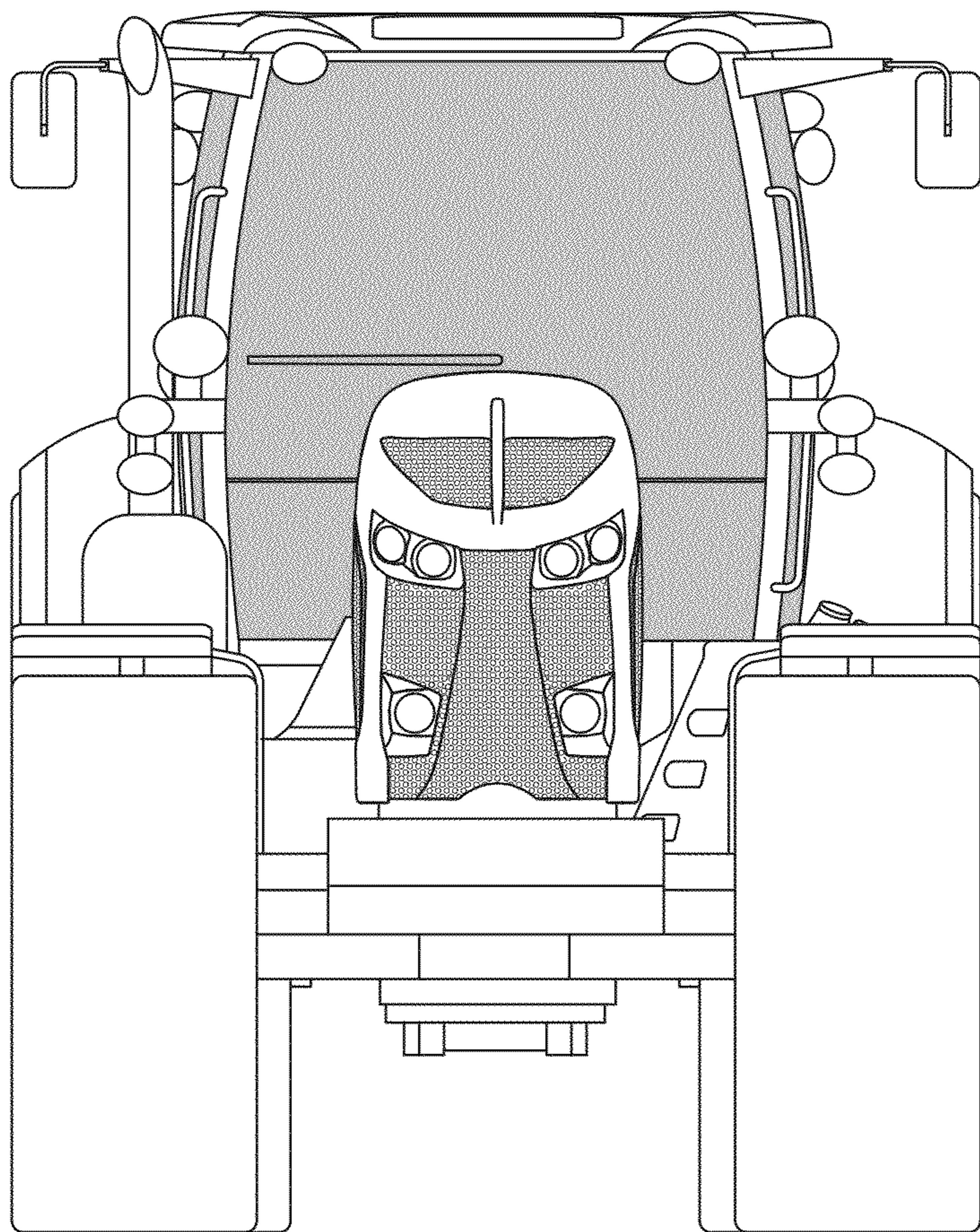


Fig.10

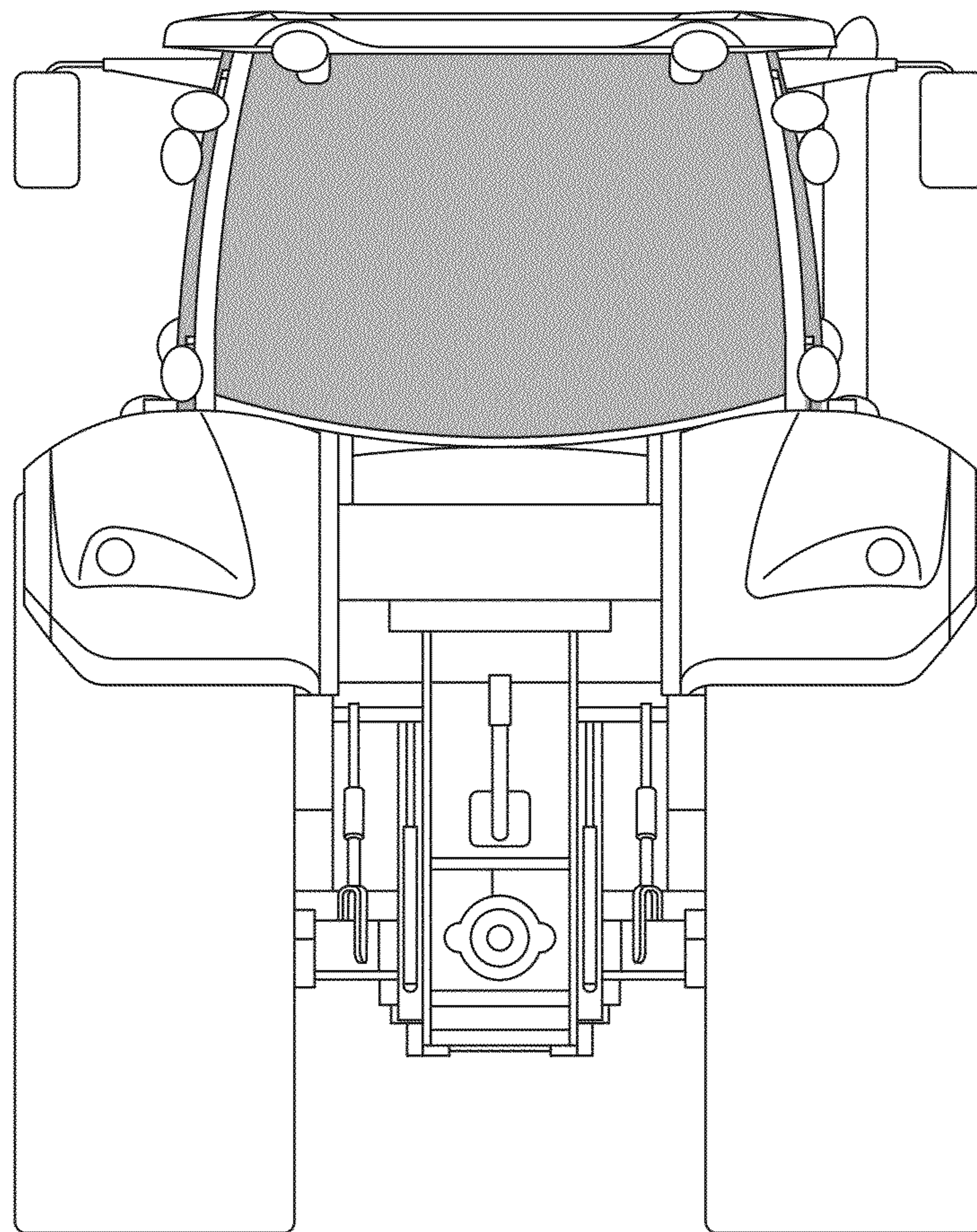


Fig.11

