

US00D729850S

(12) **United States Design Patent**  
**Kendall et al.**

(10) **Patent No.:** **US D729,850 S**

(45) **Date of Patent:** **\*\* May 19, 2015**

- (54) **SPREADER OUTPUT TRAY**
- (71) Applicants: **Jeffrey D. Kendall**, Laurel, MD (US);  
**Richard H. Chapman**, Camillus, NY (US); **Richard Sevrey**, Bristol, IN (US)
- (72) Inventors: **Jeffrey D. Kendall**, Laurel, MD (US);  
**Richard H. Chapman**, Camillus, NY (US); **Richard Sevrey**, Bristol, IN (US)
- (73) Assignee: **EARTHWAY PRODUCTS, INC.**,  
Bristol, IN (US)

5,145,116	A *	9/1992	Shaver	239/665
5,287,999	A	2/1994	Olsen	
5,340,033	A *	8/1994	Whitell	239/676
6,047,909	A *	4/2000	Simpson	239/687
6,499,679	B1 *	12/2002	Woodruff et al.	239/687
6,588,685	B2 *	7/2003	Woodruff et al.	239/650
6,907,832	B2 *	6/2005	Wyne	111/130
7,753,293	B2 *	7/2010	Farmer	239/661
D623,667	S *	9/2010	Cichy et al.	D15/13
8,074,904	B1 *	12/2011	Hobbs	239/652
8,474,735	B2 *	7/2013	Hobbs et al.	239/683
2002/0162907	A1 *	11/2002	Courtney et al.	239/665

(Continued)

(\*\*) Term: **14 Years**

**FOREIGN PATENT DOCUMENTS**

(21) Appl. No.: **29/493,722**

DE	10 2005 052 741	A1	5/2007
GB	421826	A	12/1934

(22) Filed: **Jun. 12, 2014**

**OTHER PUBLICATIONS**

**Related U.S. Application Data**

International Search Report and Written Opinion of the International Searching Authority, dated Jan. 15, 2013.

(63) Continuation of application No. 13/661,620, filed on Oct. 26, 2012, and a continuation of application No. 13/919,682, filed on Jun. 17, 2013.

*Primary Examiner* — Mark Goodwin

(51) **LOC (10) Cl.** ..... **15-03**

(74) *Attorney, Agent, or Firm* — Kegler Brown Hill & Ritter Co., LPA; James J. Pingor

(52) **U.S. Cl.**

USPC ..... **D15/13**; D15/21; D15/28

(58) **Field of Classification Search**

USPC ..... D15/13, 17, 27, 28, 21; 239/681–689, 239/666, 663, 650, 652, 655, 664, 665; 222/625, 502, 45, 228, 162, 174, 614, 222/624, 650

See application file for complete search history.

(57) **CLAIM**

The ornamental design of the spreader output tray, as shown and described.

**DESCRIPTION**

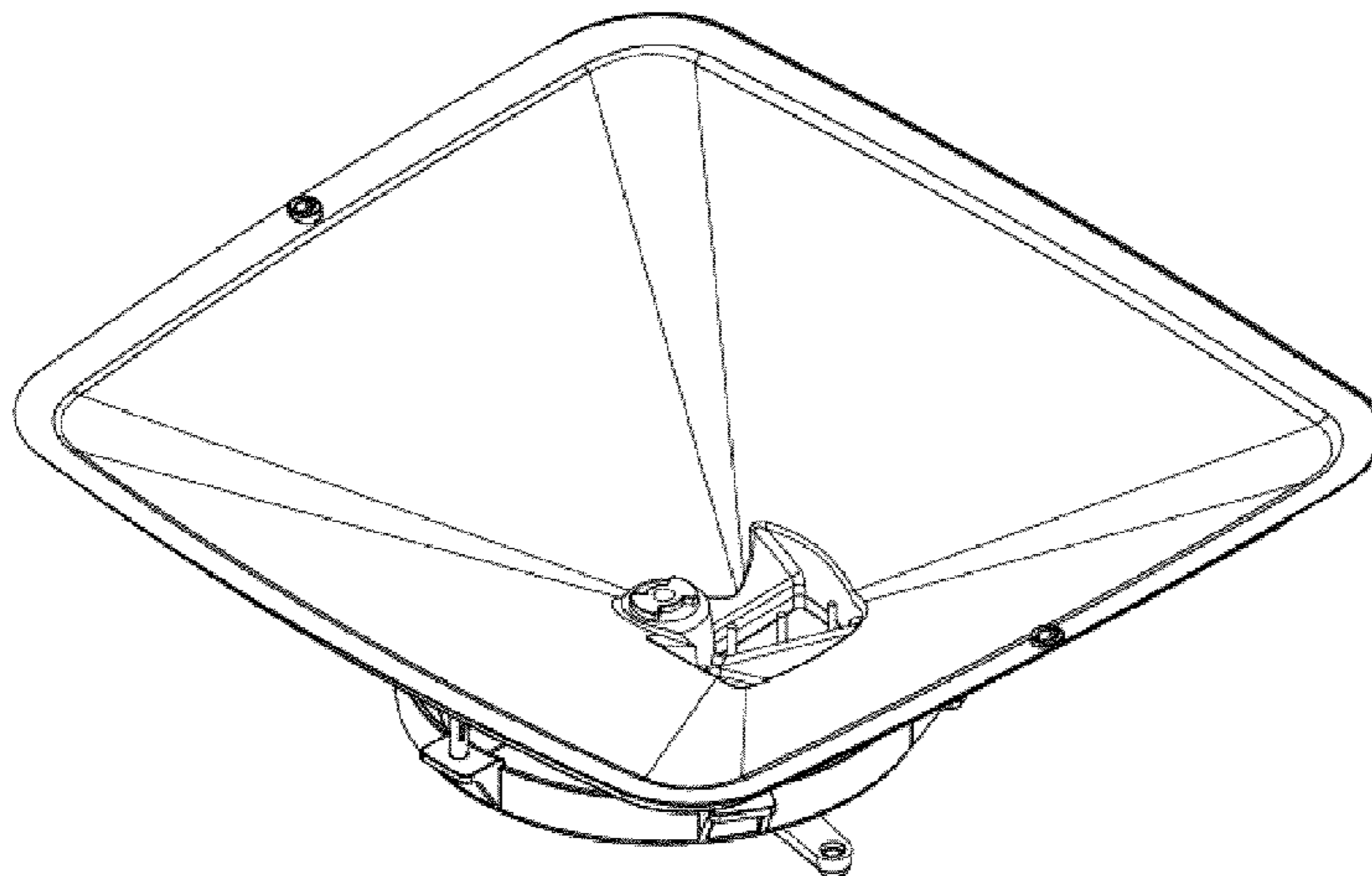
FIG. 1 is a top right front perspective view of a spreader output tray;  
FIG. 2 is a bottom right front perspective view of the spreader output tray;  
FIG. 3 is a top view thereof;  
FIG. 4 is a bottom view thereof;  
FIG. 5 is a front view thereof;  
FIG. 6 is a rear view thereof;  
FIG. 7 is a left side view thereof; and,  
FIG. 8 is a right side view thereof.

(56) **References Cited**

**U.S. PATENT DOCUMENTS**

2,986,305	A	5/1961	Koerper et al.	
3,682,395	A *	8/1972	Van Der Lely et al.	239/666
3,738,546	A *	6/1973	Speicher	222/561
3,888,196	A	6/1975	Glenn	
4,469,210	A *	9/1984	Blumer et al.	193/22
4,548,362	A *	10/1985	Doering	239/685
4,580,730	A *	4/1986	Amerine	239/687

**1 Claim, 8 Drawing Sheets**



# US D729,850 S

Page 2

---

(56)

## References Cited

### U.S. PATENT DOCUMENTS

2010/0200680 A1*	8/2010	Hobbs et al.	239/687
2010/0230507 A1*	9/2010	Conner et al.	239/1
2011/0309170 A1	12/2011	Weeks	
2005/0274832 A1*	12/2005	Bowsher	239/683
2008/0314300 A1*	12/2008	Bowsher	111/11

\* cited by examiner

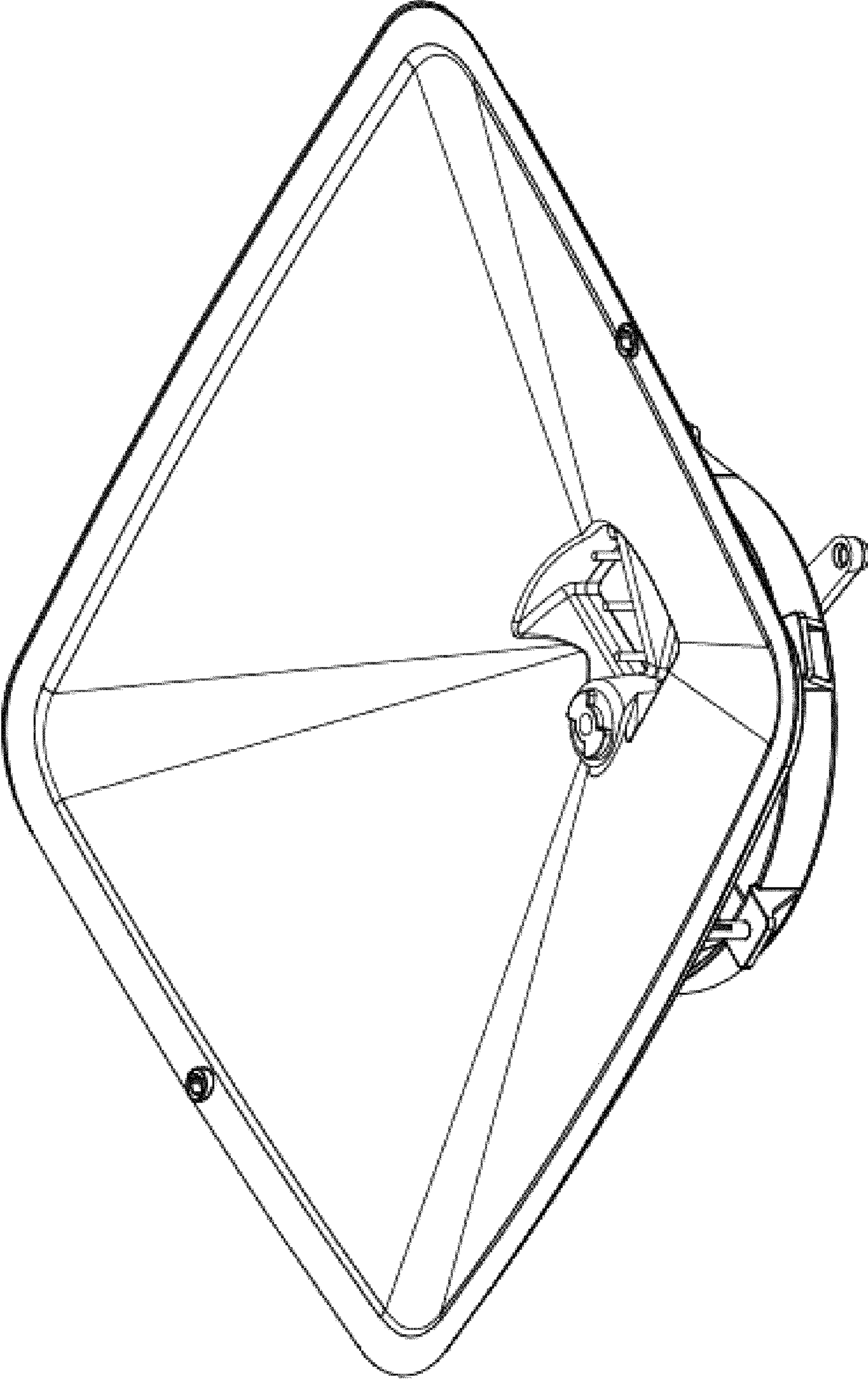


FIG. 1

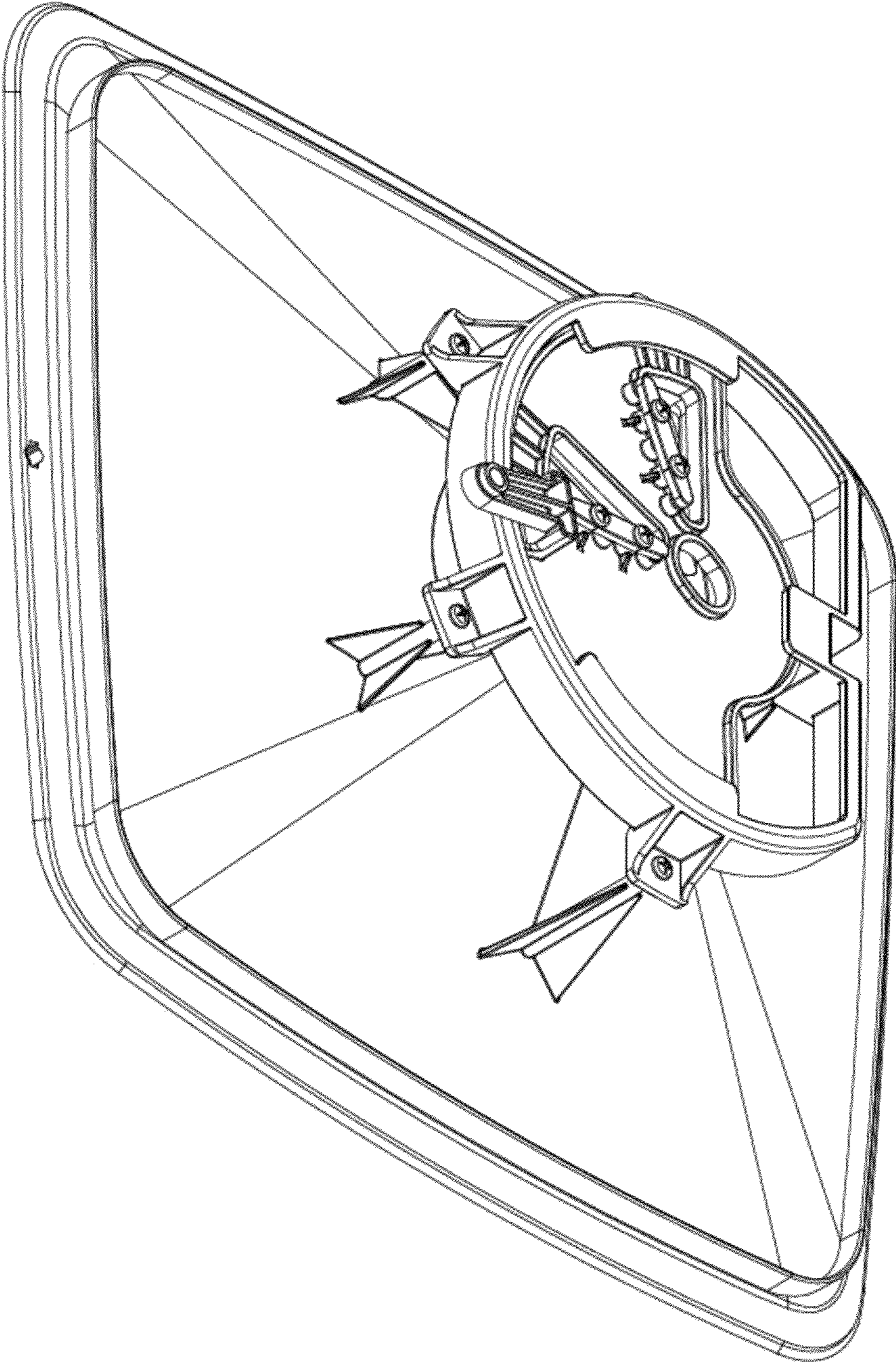


FIG. 2

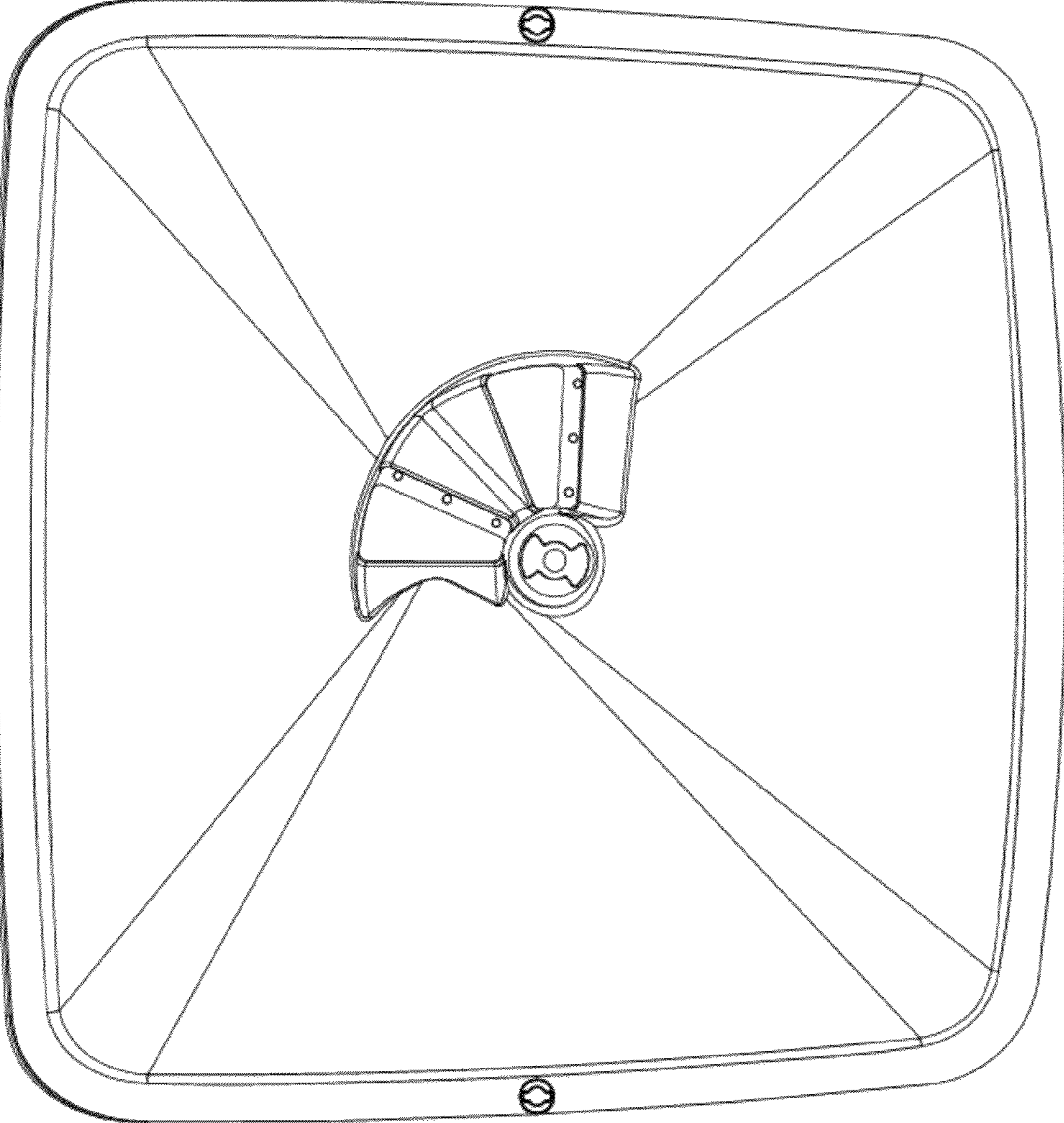


FIG. 3

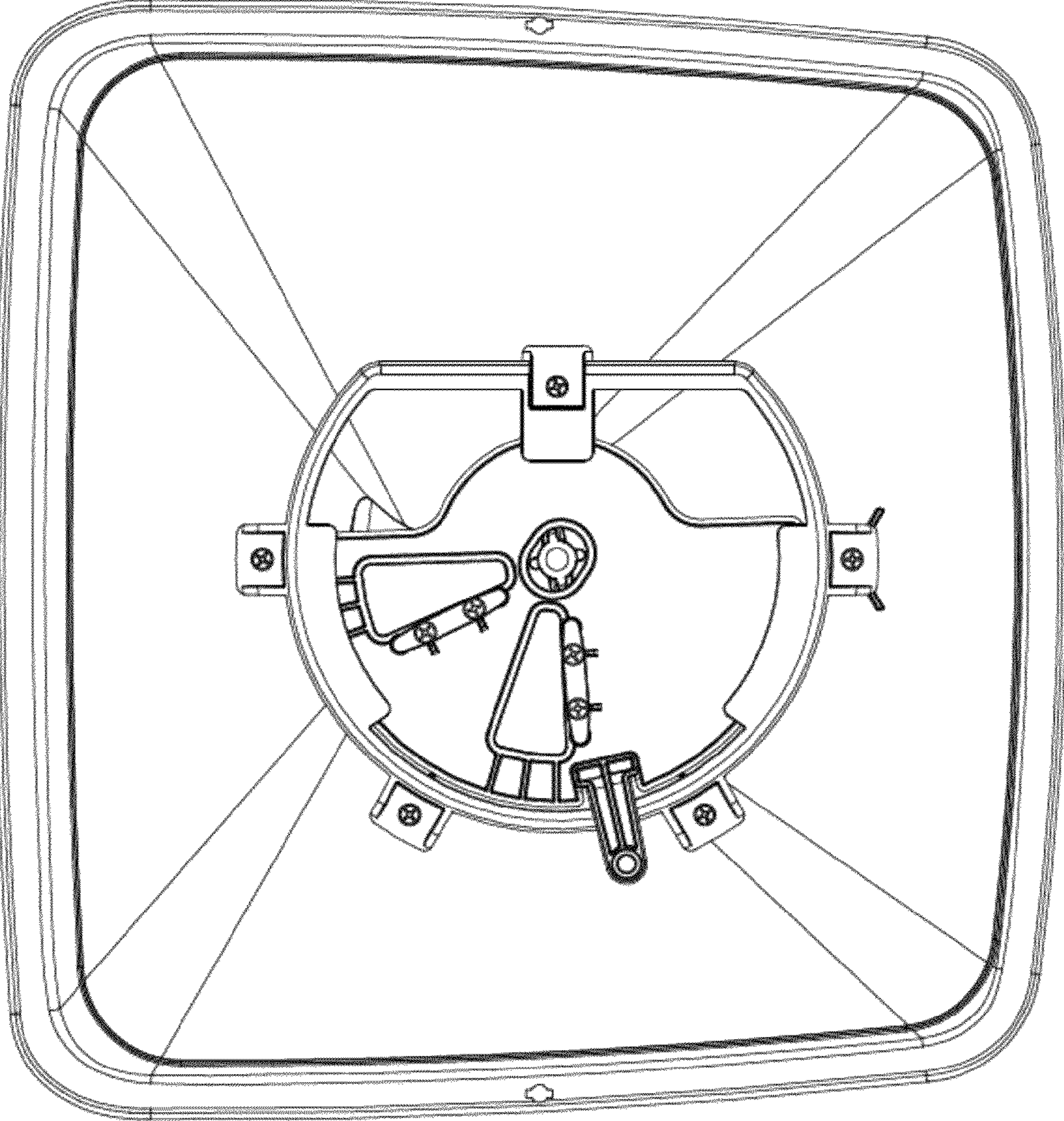


FIG. 4

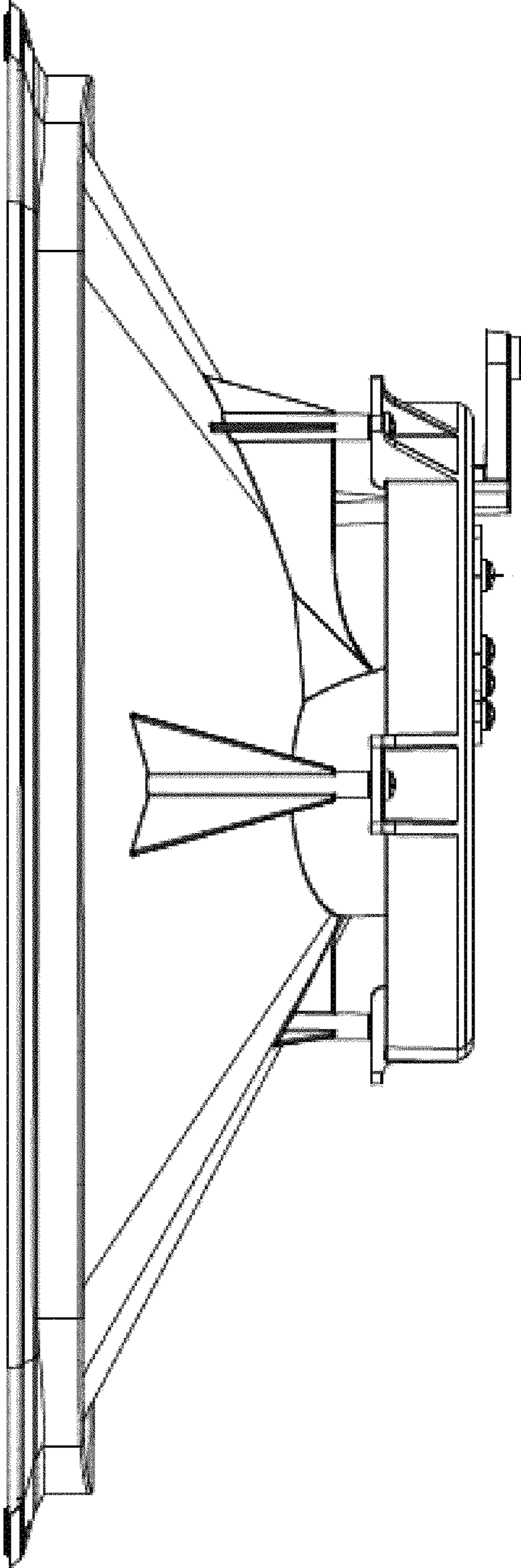


FIG. 5

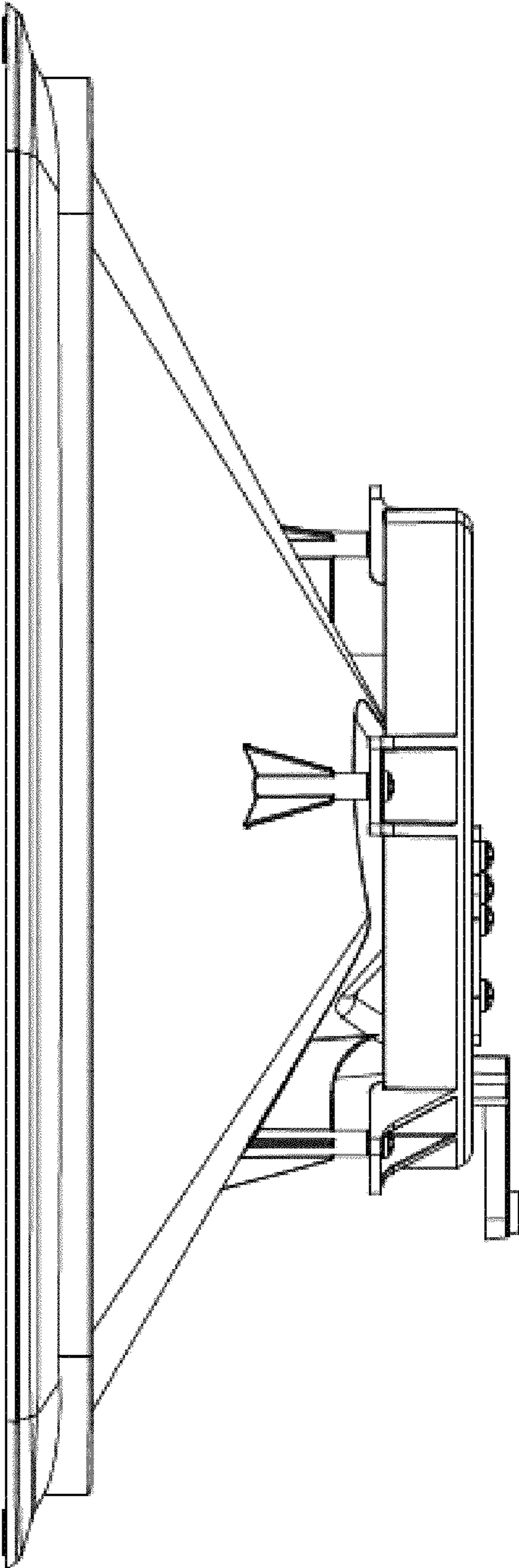


FIG. 6



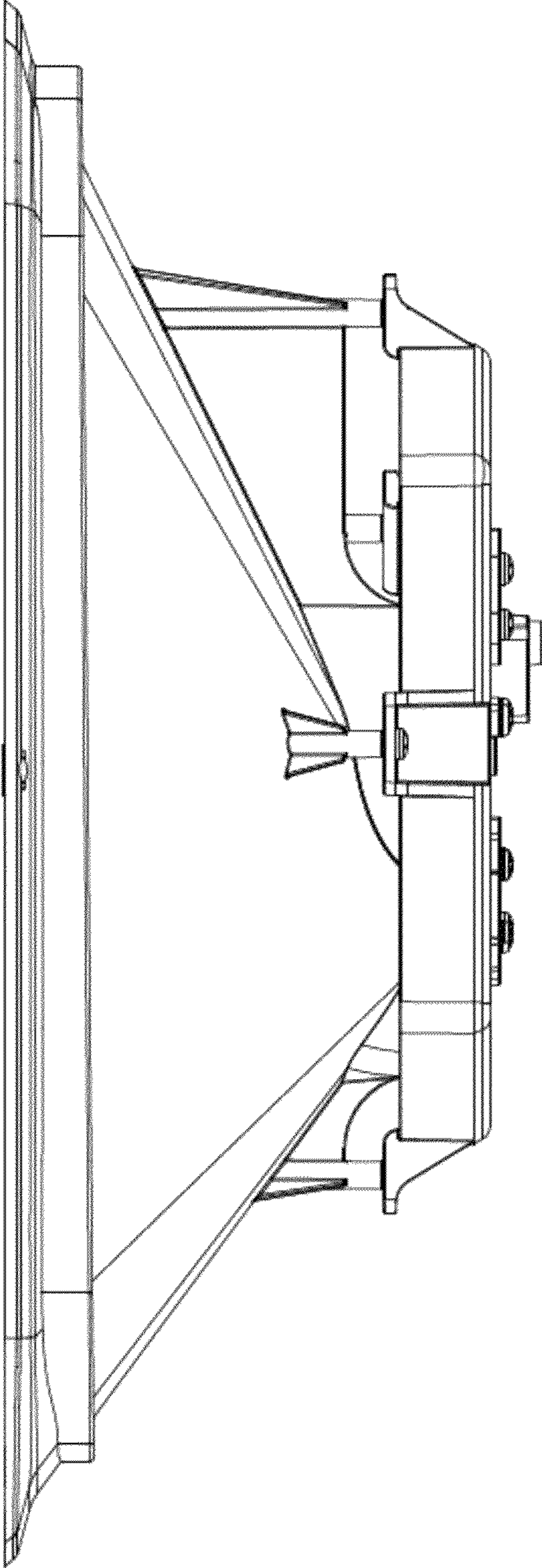


FIG. 7

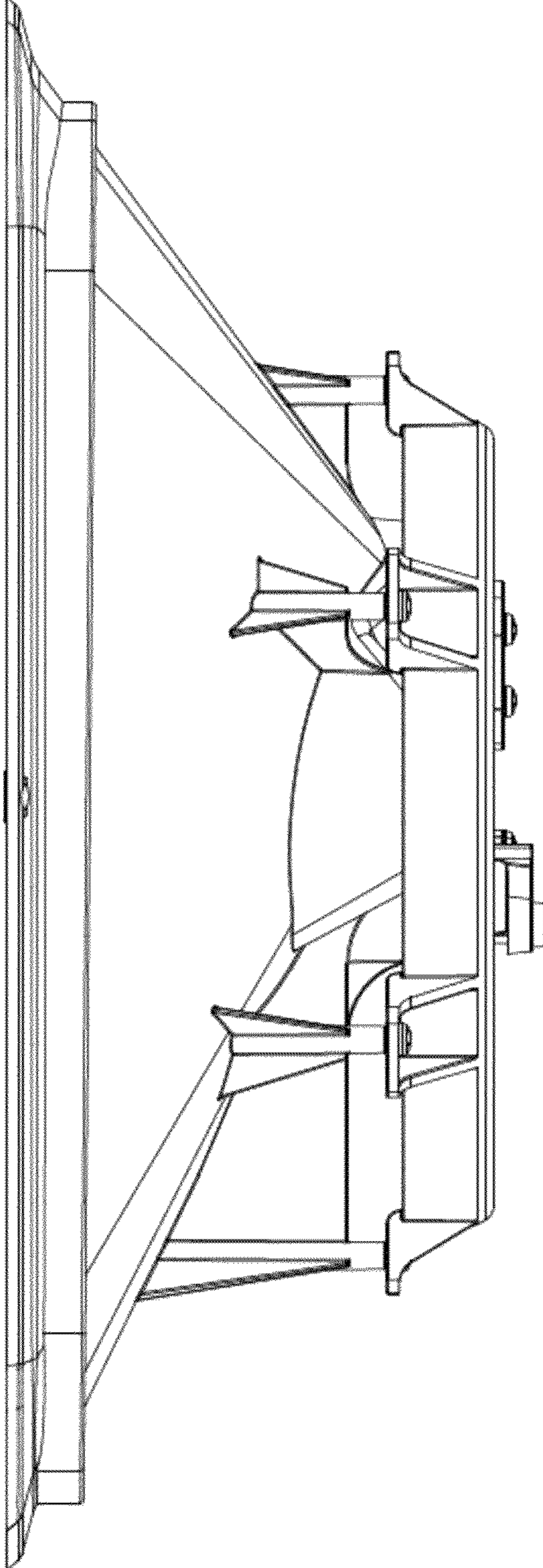


FIG. 8