



US00D729848S

(12) **United States Design Patent**  
**Charriere**

(10) **Patent No.:** **US D729,848 S**

(45) **Date of Patent:** **\*\* May 19, 2015**

(54) **METERING PUMP**

(71) Applicant: **DOSATRON INTERNATIONAL,**  
Tresses, Bordeaux (FR)

(72) Inventor: **Christophe Charriere,** Camblanes et  
Meynac (FR)

(73) Assignee: **DOSATRON INTERNATIONAL,**  
Bordeaux (FR)

(\*\*) Term: **14 Years**

(21) Appl. No.: **29/503,518**

(22) Filed: **Sep. 26, 2014**

(30) **Foreign Application Priority Data**

Apr. 9, 2014 (EM) ..... 002444117-0002

(51) **LOC (10) Cl.** ..... **15-02**

(52) **U.S. Cl.**  
USPC ..... **D15/7**

(58) **Field of Classification Search**  
USPC ..... D15/7-9; D23/231, 232; 417/410.1,  
417/359, 415-416, 234, 321, 265, 405, 1,  
417/63, 53, 393; D24/107, 108, 111  
See application file for complete search history.

(56) **References Cited**

**U.S. PATENT DOCUMENTS**

D384,674 S \* 10/1997 Grolle et al. .... D15/7  
D401,944 S \* 12/1998 Campbell ..... D15/7

D440,231 S \* 4/2001 Craford et al. .... D15/7  
D555,089 S \* 11/2007 Lutz ..... D13/112  
D649,164 S \* 11/2011 Cook ..... D15/7  
D678,338 S \* 3/2013 O'Shea ..... D15/7  
D691,178 S \* 10/2013 Lambinet ..... D15/7  
D691,179 S 10/2013 Charriere

\* cited by examiner

*Primary Examiner* — Ralf Seifert

(74) *Attorney, Agent, or Firm* — Wenderoth, Lind & Ponack,  
L.L.P.

(57) **CLAIM**

The ornamental design for a metering pump, as shown and described.

**DESCRIPTION**

The patent or application file contains at least one drawing executed in color. Copies of this patent or patent application publication with color drawing(s) will be provided by the Office upon request and payment of the necessary fee.

FIG. 1 is a front view of a meter pump;

FIG. 2 is a back view thereof;

FIG. 3 is a top view thereof;

FIG. 4 is a bottom view thereof;

FIG. 5 is a right side view thereof; and,

FIG. 6 is a left side view thereof.

**1 Claim, 6 Drawing Sheets**  
**(6 of 6 Drawing Sheet(s) Filed in Color)**

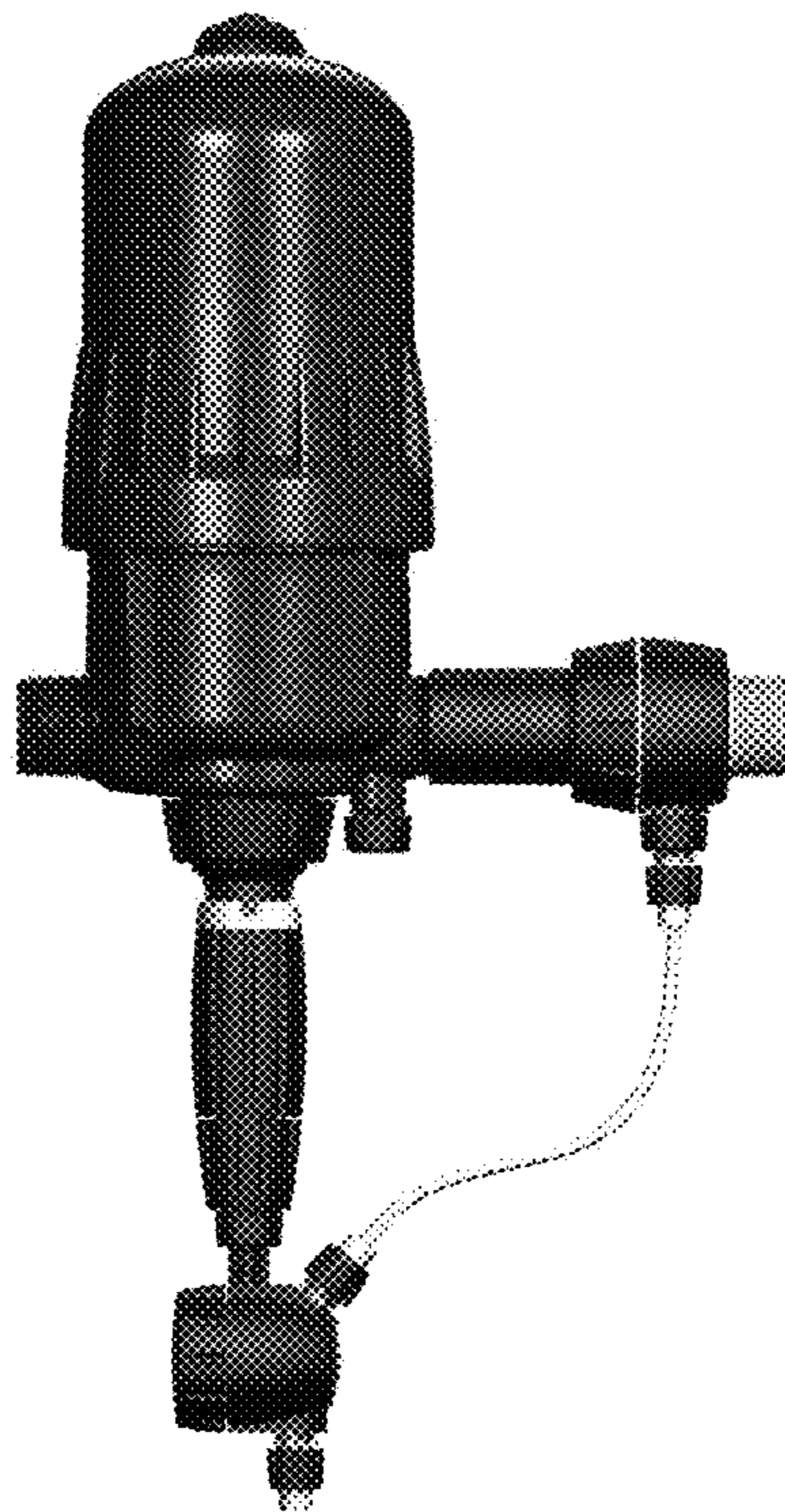


Fig. 1



Fig. 2



Fig. 3

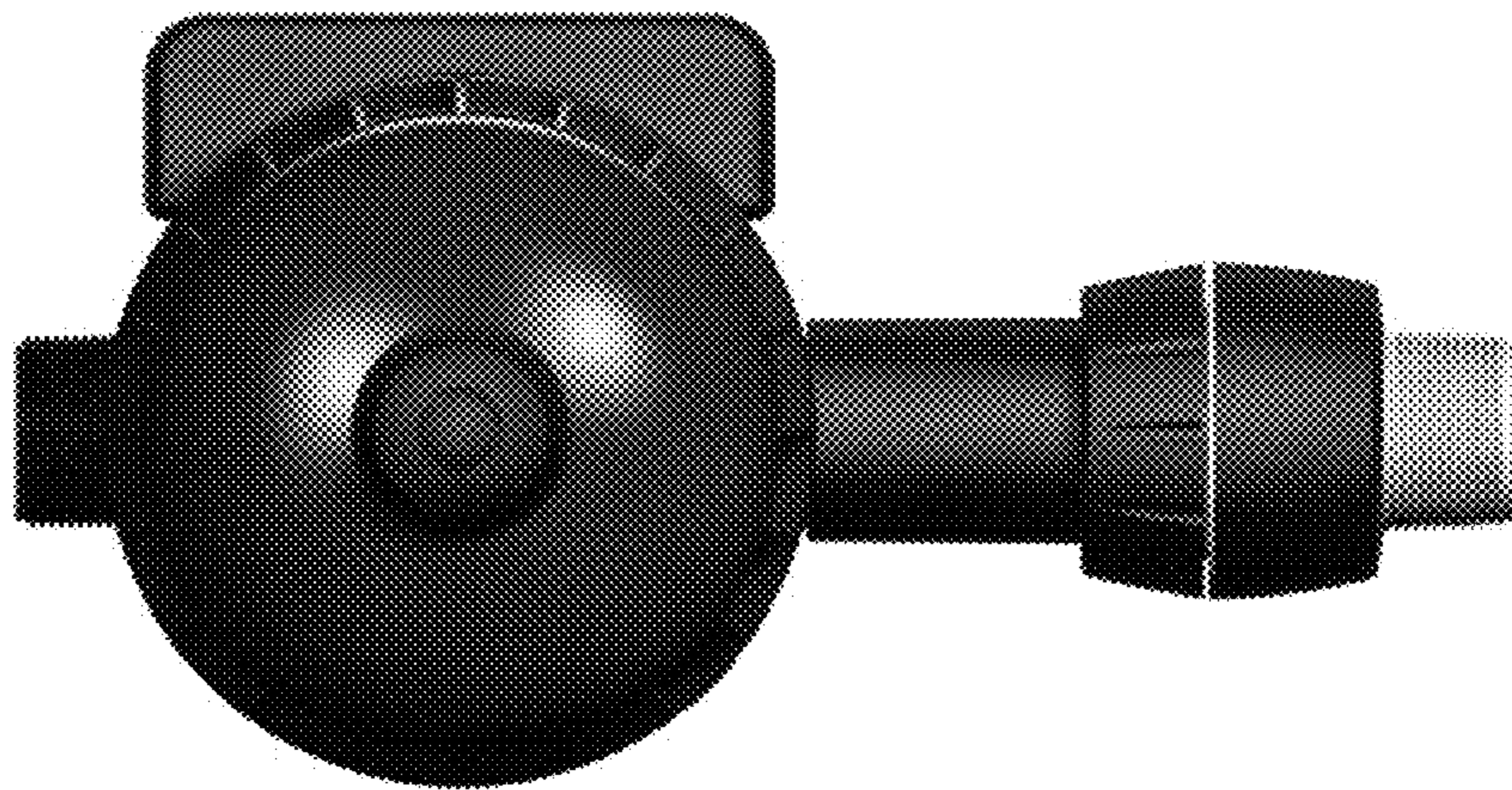


Fig. 4

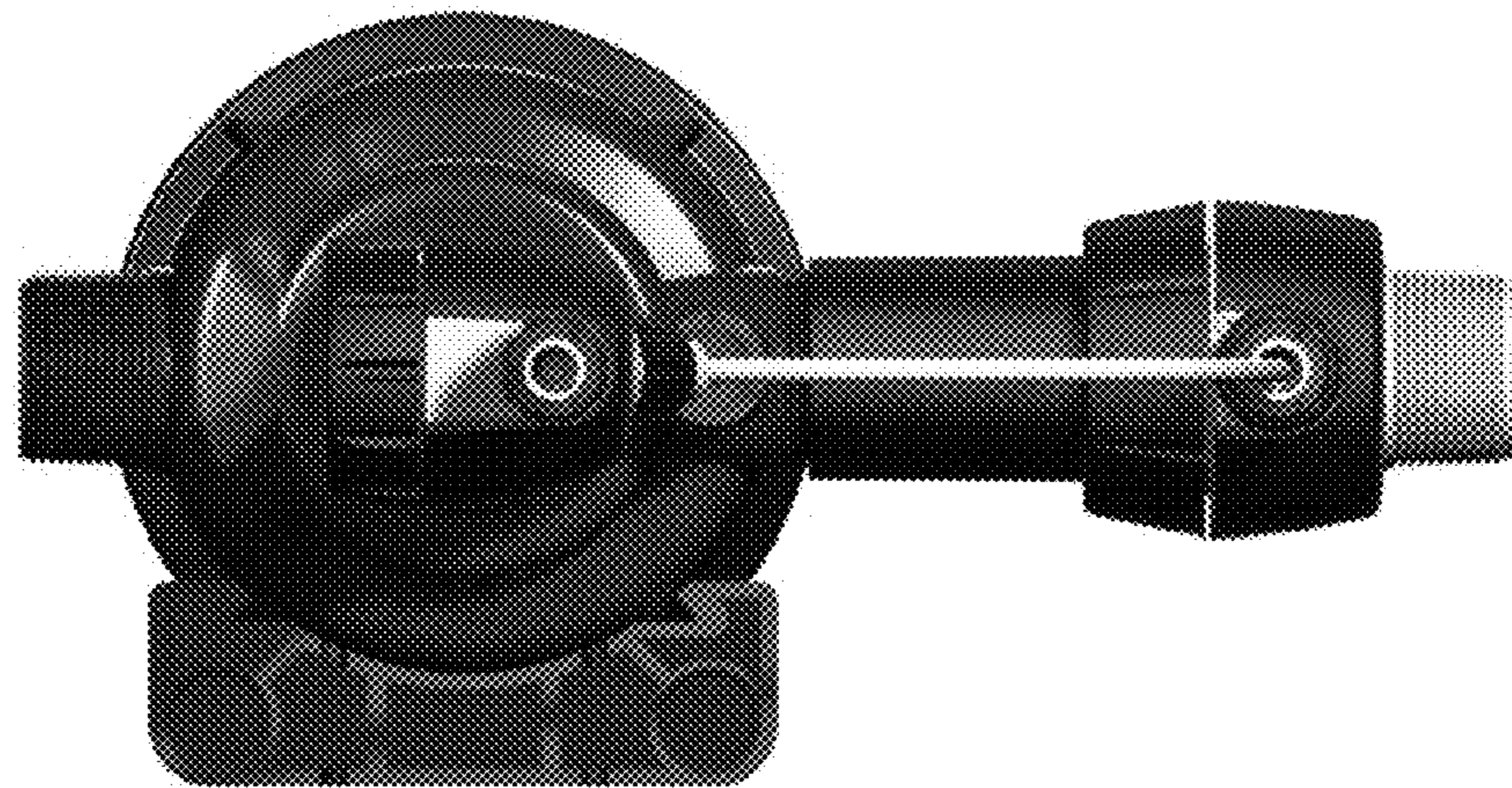


Fig. 5

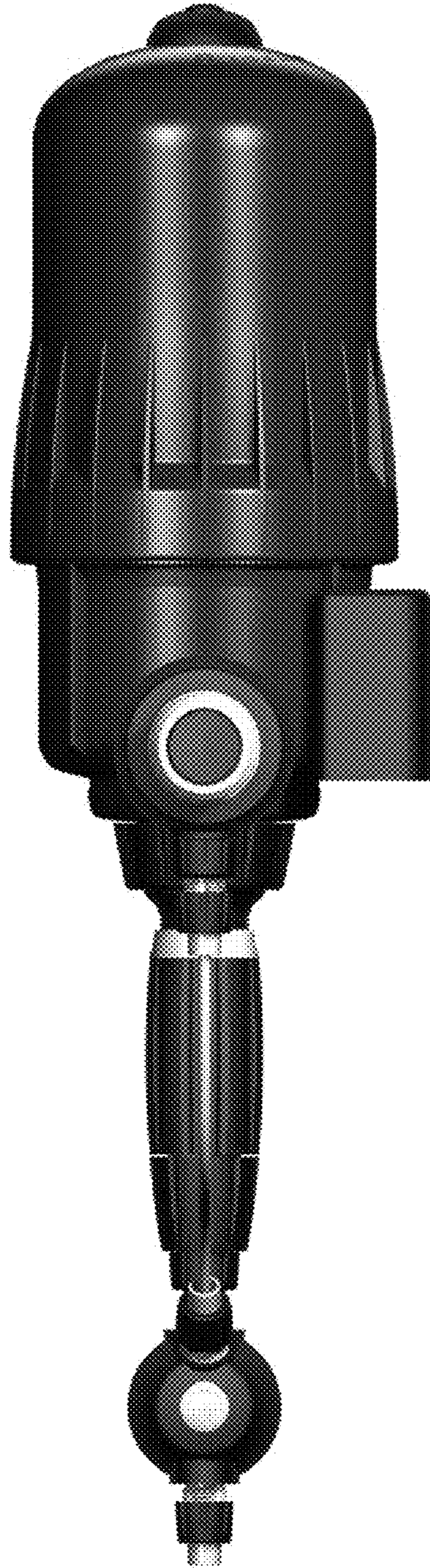


Fig. 6

