

US00D729847S

(12) **United States Design Patent**  
**Ono et al.**

(10) **Patent No.:** **US D729,847 S**

(45) **Date of Patent:** **\*\* May 19, 2015**

(54) **LIQUID FEEDER FOR WASHING**  
(71) Applicant: **WELCO CO., LTD.**, Fuchu-shi, Tokyo (JP)  
(72) Inventors: **Kenichi Ono**, Fuchu (JP); **Takeshi Nozaki**, Fuchu (JP); **Takeshi Ikuhara**, Yokohama (JP)  
(73) Assignee: **WELCO CO., LTD.**, Tokyo (JP)

7,281,519 B2 \* 10/2007 Schroeder et al. .... 123/445  
D569,054 S \* 5/2008 Kaneko ..... D32/1  
8,062,008 B2 \* 11/2011 Voltenburg et al. .... 417/477.2  
D690,741 S \* 10/2013 Gonzales et al. .... D15/28  
D699,264 S \* 2/2014 Sofussen et al. .... D15/7  
8,662,864 B2 \* 3/2014 Bayyouk et al. .... 417/269  
2001/0004444 A1 \* 6/2001 Haser et al. .... 417/477.2  
2008/0097324 A1 \* 4/2008 Adams et al. .... 604/153  
2011/0033318 A1 \* 2/2011 Ramirez et al. .... 417/321

(\*\*) Term: **14 Years**

(21) Appl. No.: **29/451,176**

(22) Filed: **Mar. 28, 2013**

(30) **Foreign Application Priority Data**

Jan. 28, 2013 (JP) ..... 2013-1513

(51) **LOC (10) Cl.** ..... **15-02**

(52) **U.S. Cl.**  
USPC ..... **D15/7**

(58) **Field of Classification Search**  
CPC ..... F04B 1/143  
USPC ..... D32/30, 25, 29.1, 1-3, 11; D15/7-9;  
D23/230-232, 225; 417/60, 235, 237,  
417/242, 269, 321, 355, 358, 363, 415-416,  
417/410.1, 405, 423.5, 900, 902; 60/408,  
60/412; 184/26-37; 415/140-147;  
123/495; 137/565.34

See application file for complete search history.

(56) **References Cited**

**U.S. PATENT DOCUMENTS**

995,877 A \* 6/1911 Knott ..... 184/33  
2,810,345 A \* 10/1957 Englesson ..... 417/338  
D286,912 S \* 11/1986 Andersen ..... D24/224  
D322,754 S \* 12/1991 Halm et al. .... D32/29.1  
5,178,520 A \* 1/1993 Strelow ..... 417/62  
5,368,453 A \* 11/1994 Peng ..... 417/423.5  
D499,113 S \* 11/2004 Murayama et al. .... D15/7

**FOREIGN PATENT DOCUMENTS**

JP D1349209 \* 1/2009

**OTHER PUBLICATIONS**

Williamson Manufacturing webpage copyright 2008, online, [http://www.wmcpumps.com/information\\_1.htm](http://www.wmcpumps.com/information_1.htm), [site visited Feb. 4, 2015 6:32:08 PM].\*

\* cited by examiner

*Primary Examiner* — John Windmuller

*Assistant Examiner* — John R Yeh

(74) *Attorney, Agent, or Firm* — Oliff PLC

(57) **CLAIM**

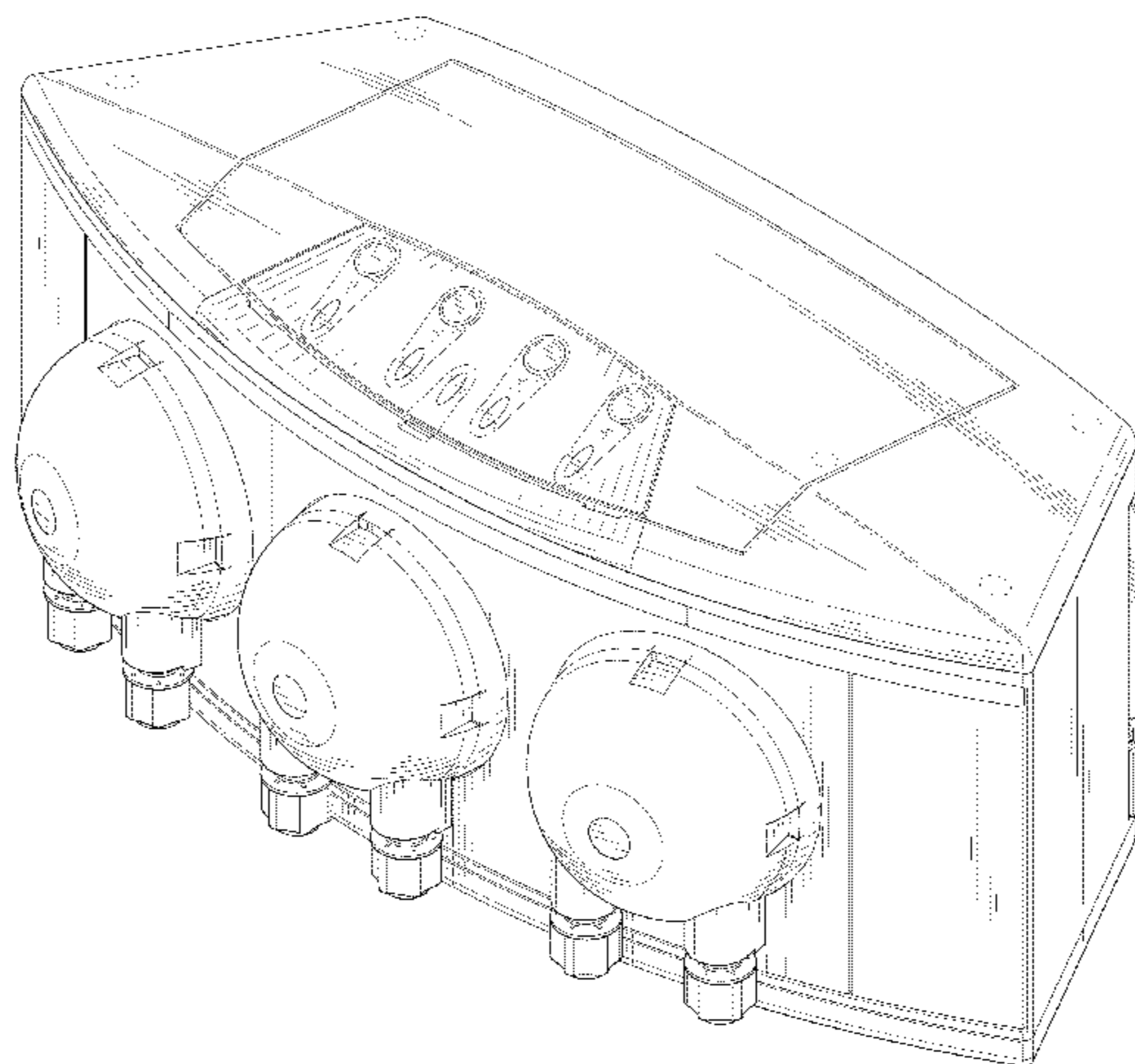
The ornamental design for a liquid feeder for washing, as shown and described.

**DESCRIPTION**

FIG. 1 is a perspective view of a liquid feeder for washing;  
FIG. 2 is a front view thereof;  
FIG. 3 is a top view thereof;  
FIG. 4 is a right-side view thereof;  
FIG. 5 is a left-side view thereof;  
FIG. 6 is a rear view thereof;  
FIG. 7 is a bottom view thereof; and,  
FIG. 8 is a cross-sectional view thereof taken along lines 8-8 in FIG. 3.

The broken lines depict environmental subject matter only and form no part of the claimed design.

**1 Claim, 7 Drawing Sheets**



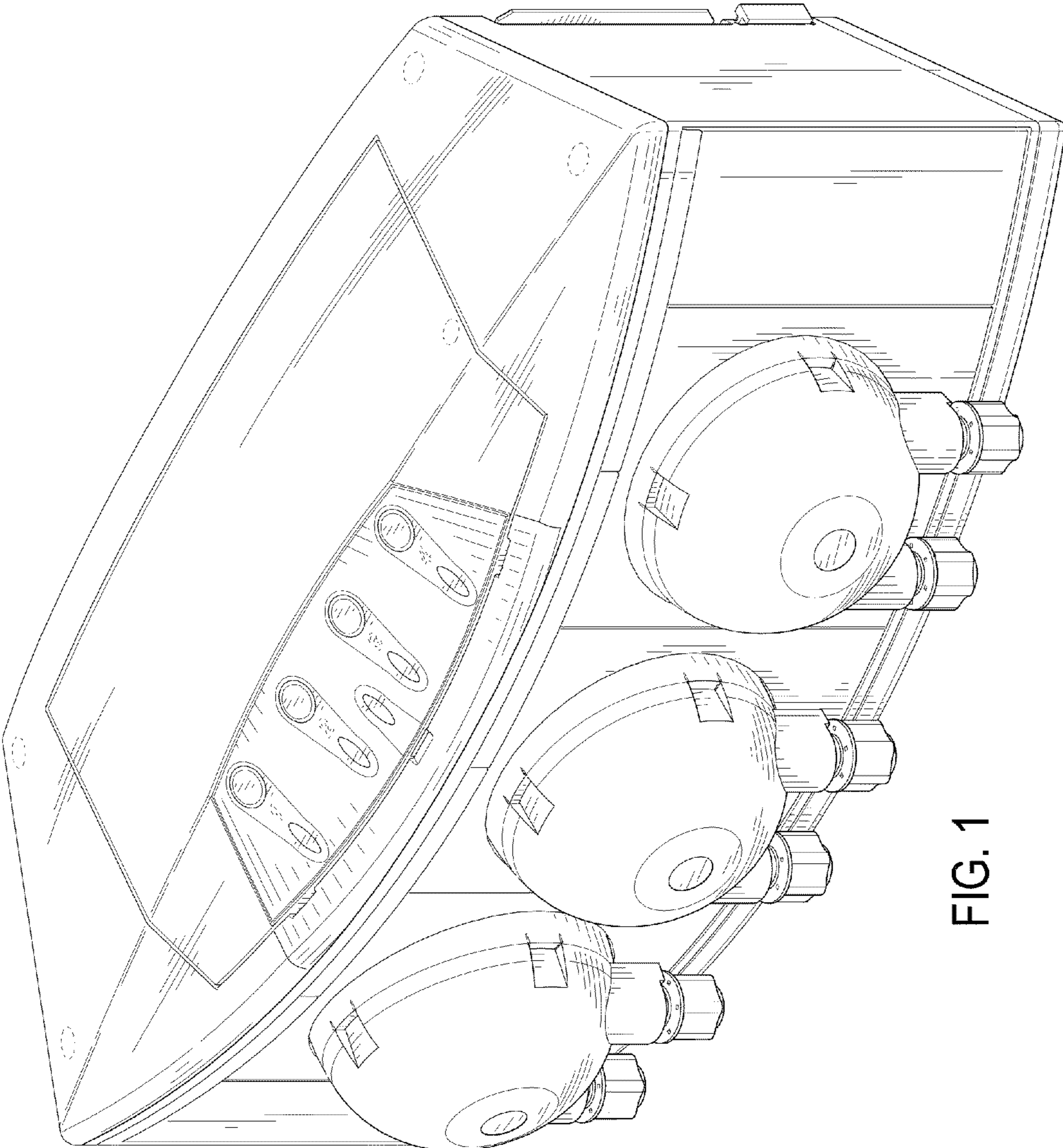


FIG. 1

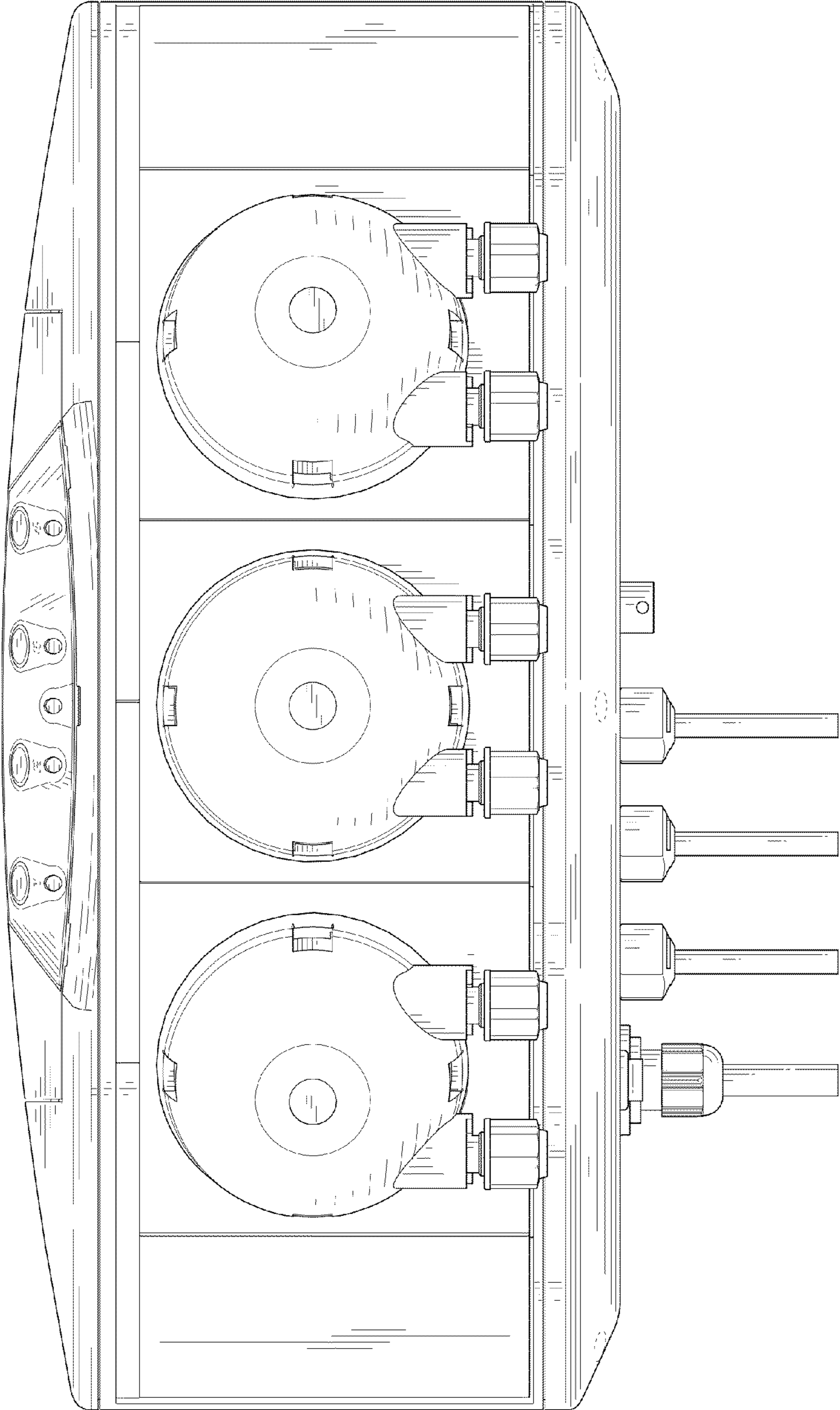


FIG. 2



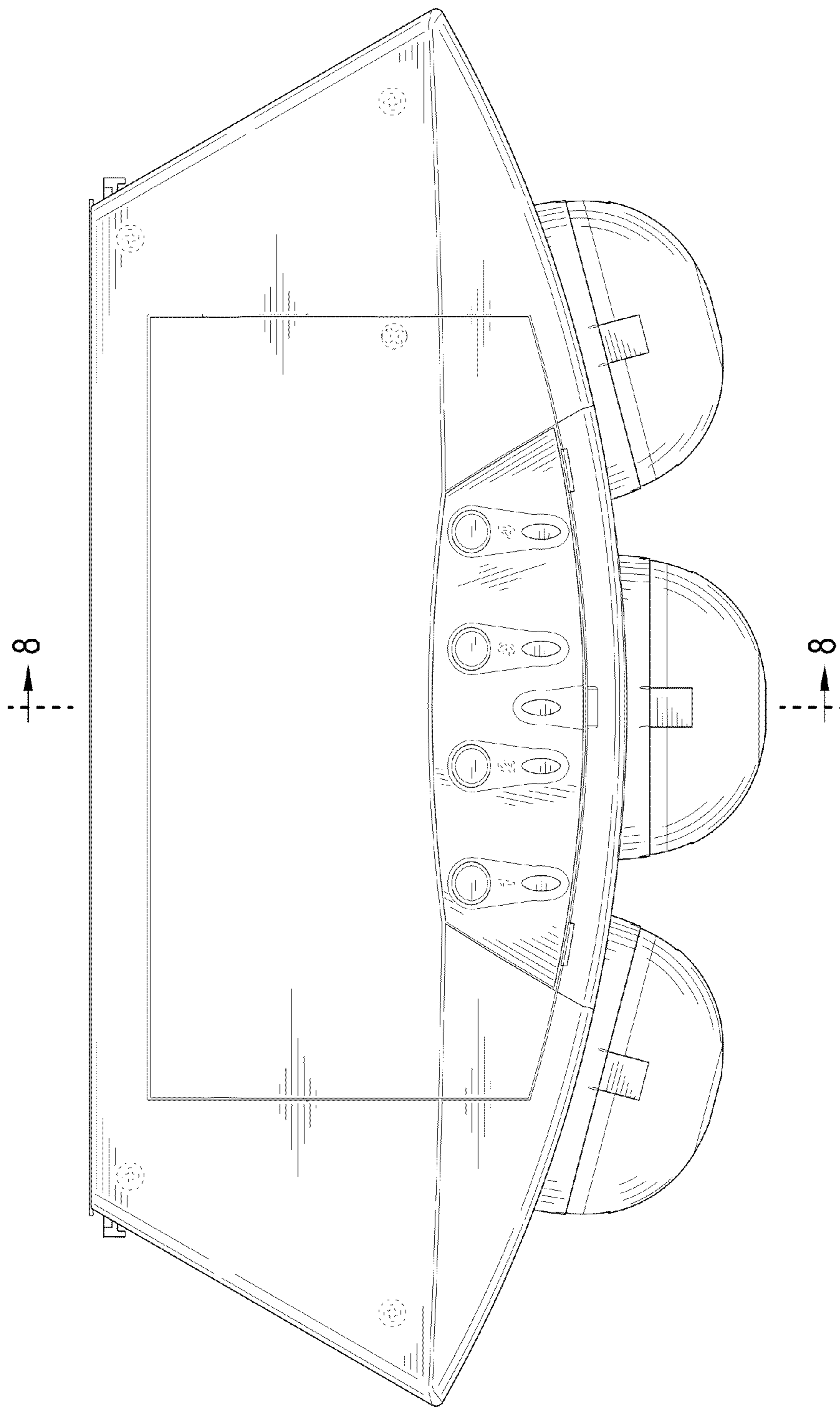


FIG. 3

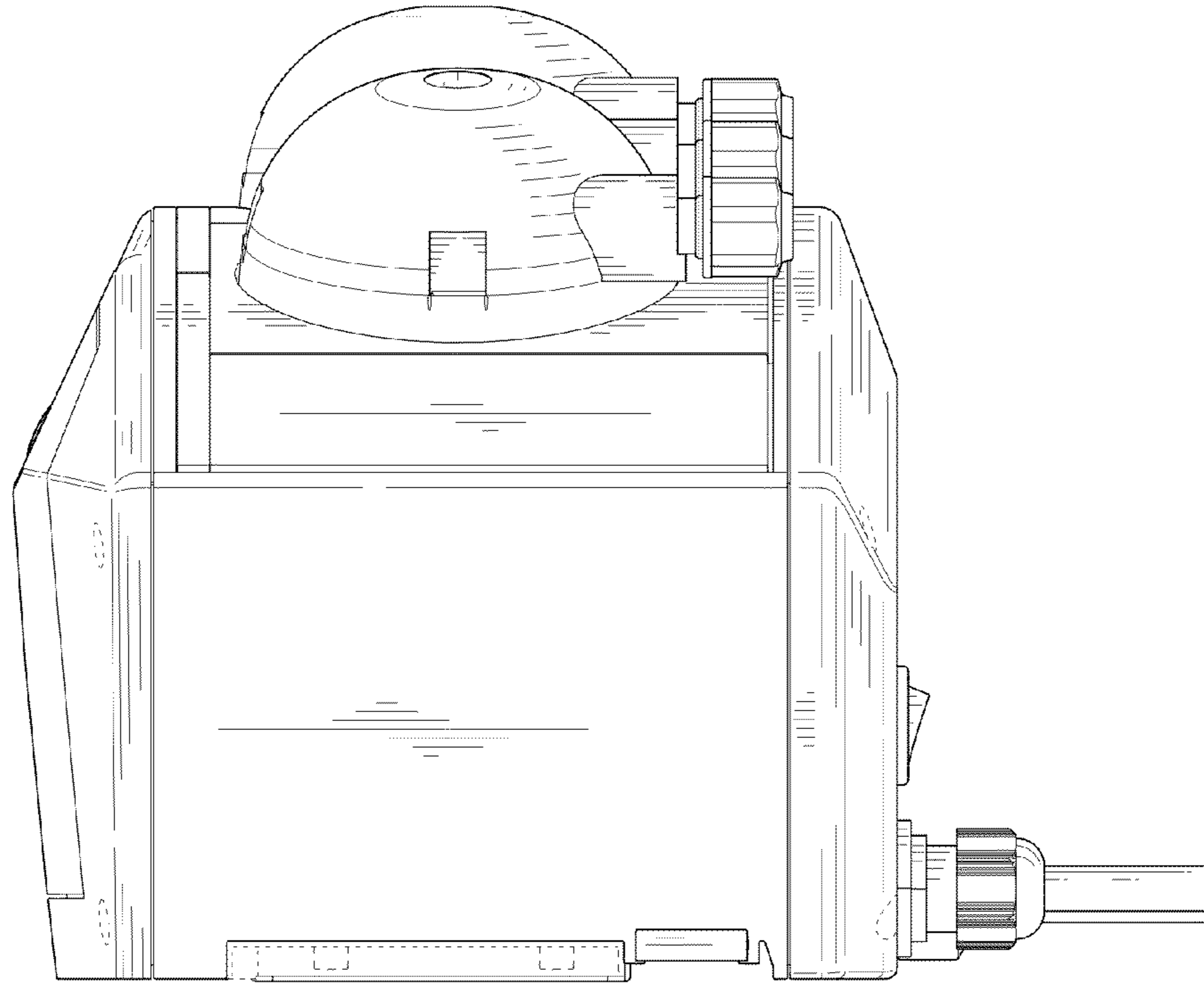


FIG. 5

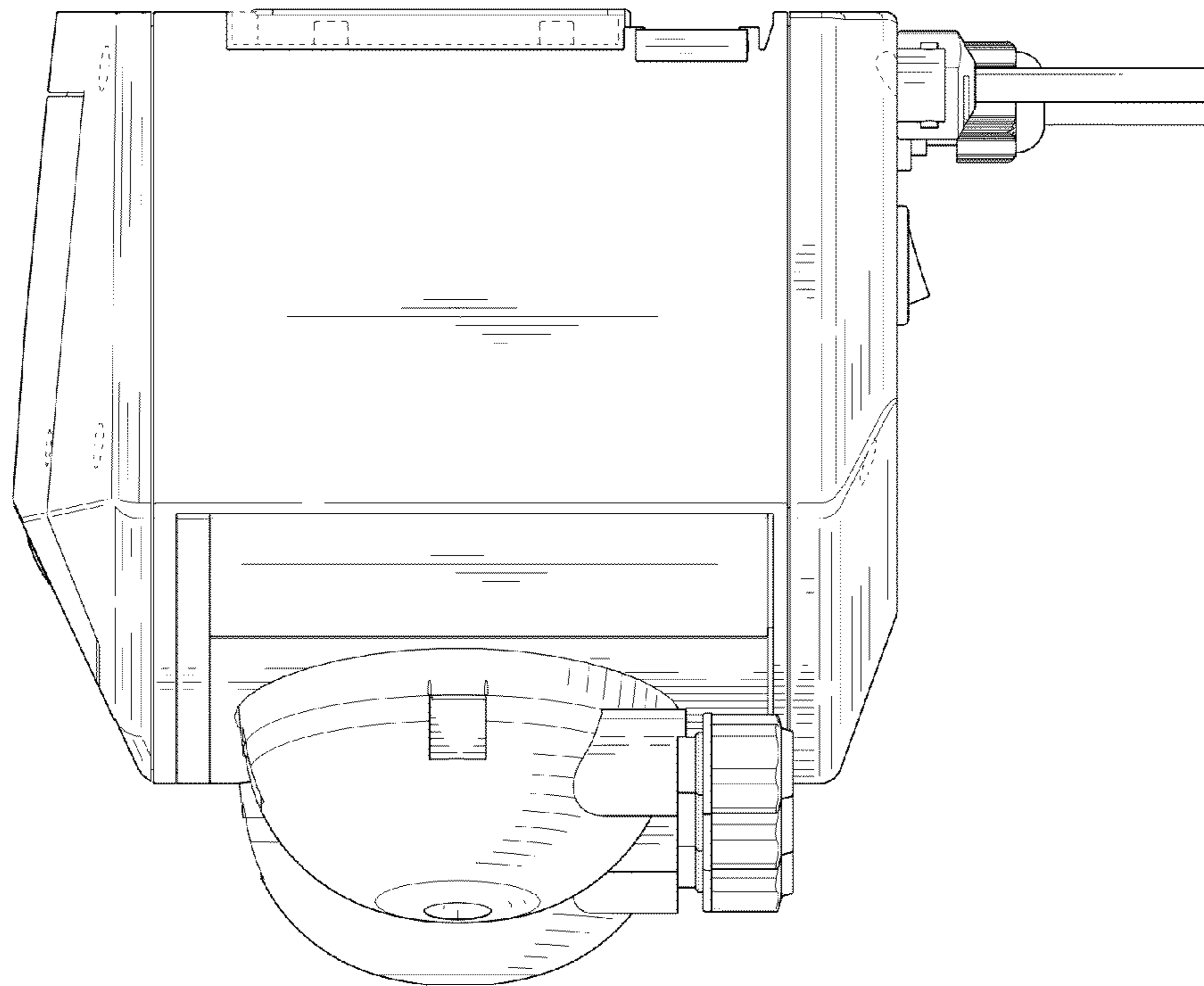


FIG. 4

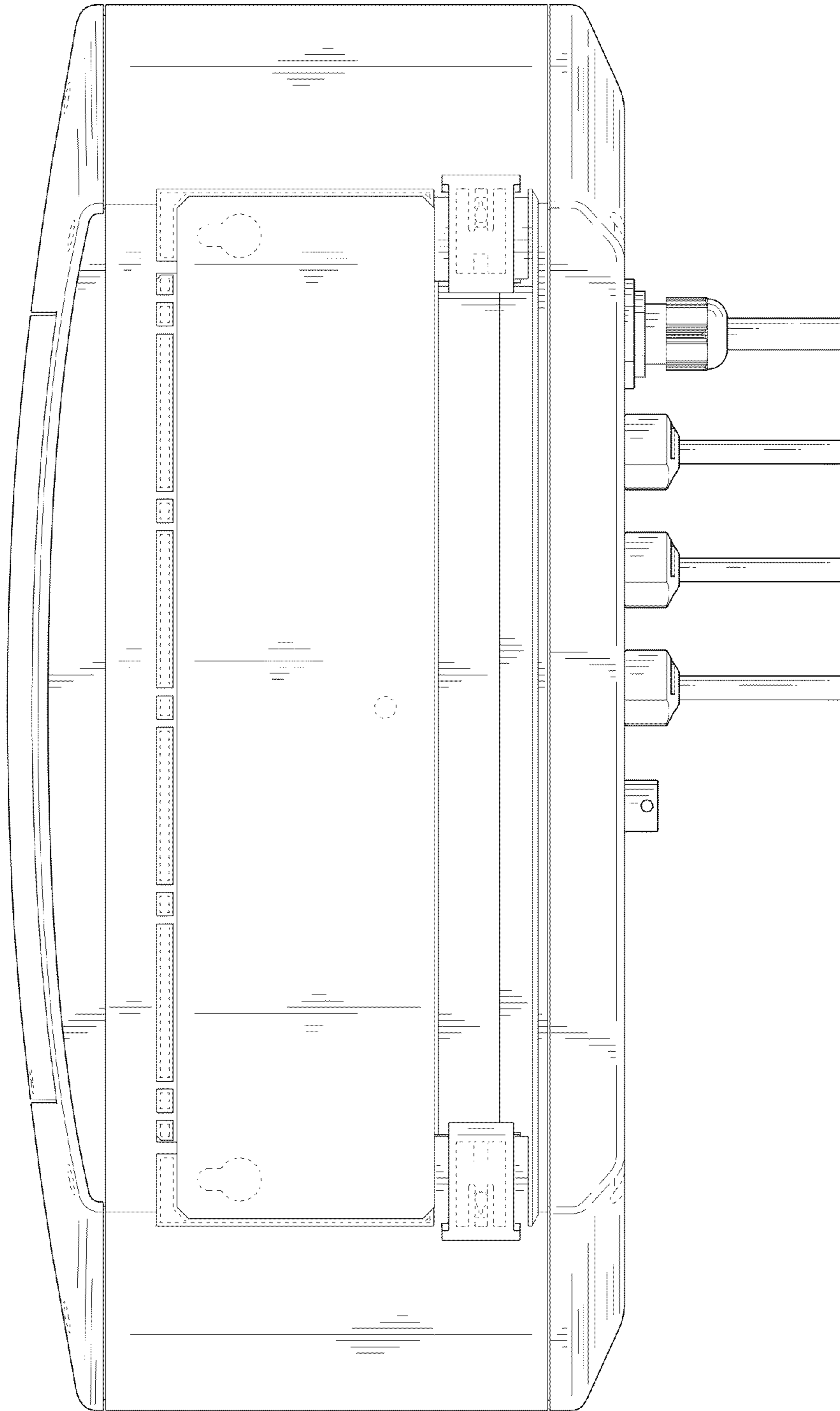


FIG. 6

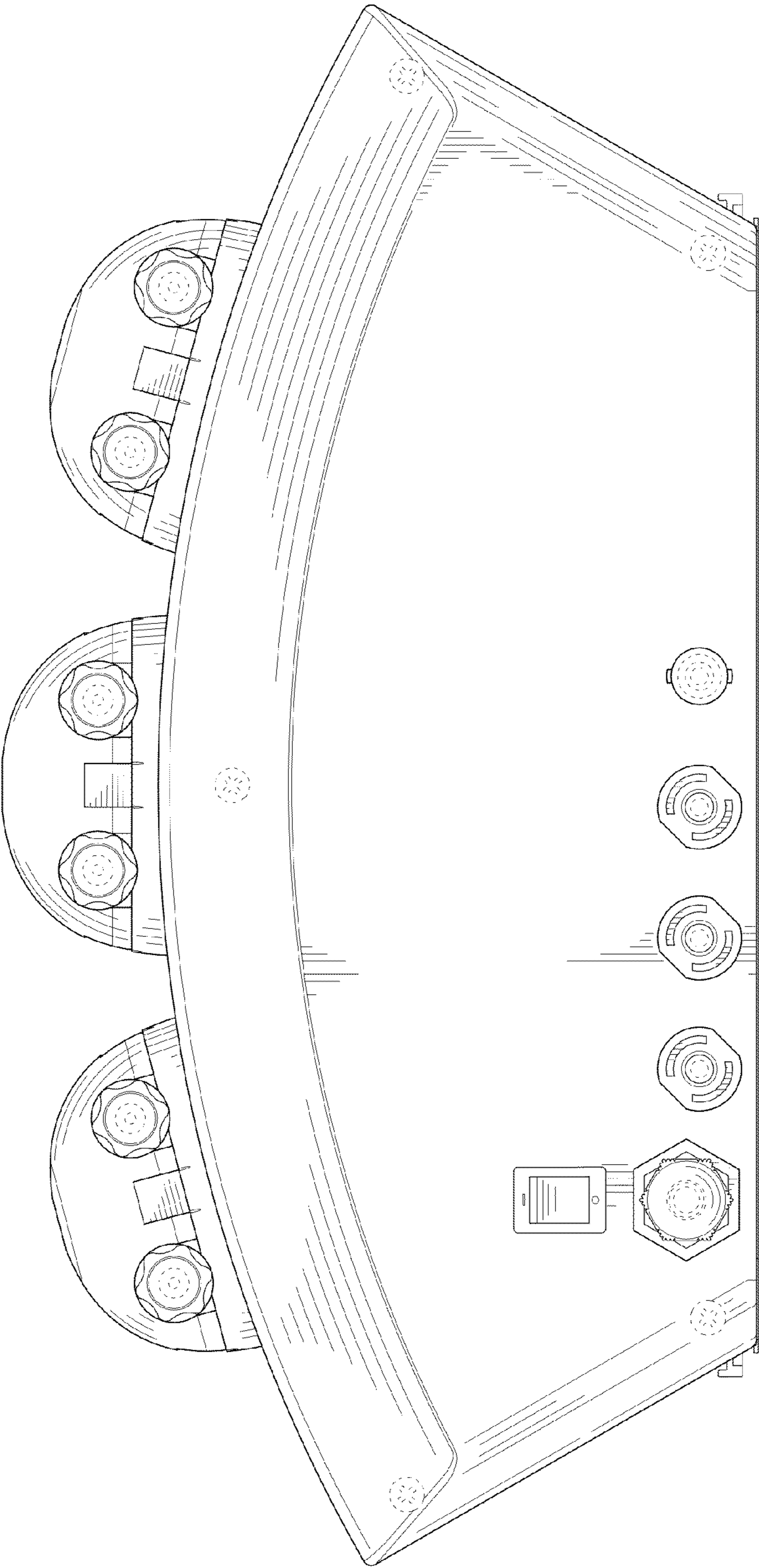


FIG. 7

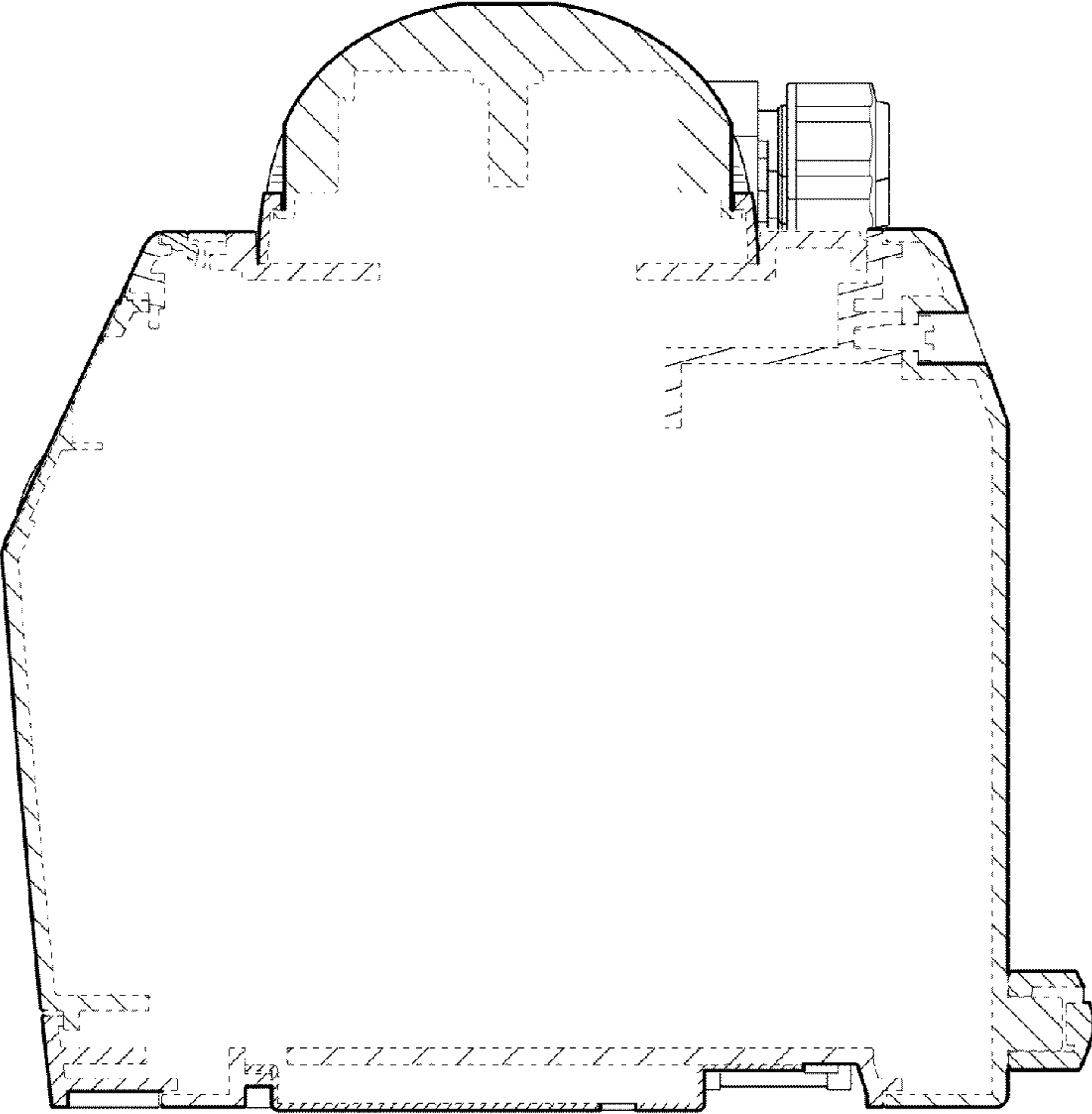


FIG. 8