



US00D729815S

(12) **United States Design Patent**  
**Anderson**

(10) **Patent No.:** **US D729,815 S**

(45) **Date of Patent:** **\*\* May 19, 2015**

(54) **SWIVEL MOUNT WITH ARM**

(71) Applicant: **Southco, Inc.**, Concordville, PA (US)

(72) Inventor: **Glenn Eric Anderson**, Malvern, PA (US)

(73) Assignee: **Southco, Inc.**, Concordville, PA (US)

(\*\*) Term: **14 Years**

(21) Appl. No.: **29/440,880**

(22) Filed: **Dec. 28, 2012**

(51) **LOC (10) Cl.** ..... **08-07**

(52) **U.S. Cl.**  
USPC ..... **D14/452**

(58) **Field of Classification Search**  
USPC ..... D14/371–382, 125–129, 336, 337, 448,  
D14/450–452, 492, 335, 447, 239; 341/12;  
345/104, 156, 168, 173; 348/180, 184,  
348/325, 739, 825; 349/1, 2, 11, 62;  
361/679.02, 679.04–679.07, 679.09,  
361/679.21, 679.22, 679.26, 679.3;  
D8/349, 354, 363, 373, 376, 380;  
248/519, 534, 541, 58, 125.8, 127,  
248/131, 133, 139, 176.1, 176.3, 188.5,  
248/279.1, 333, 917–924; 379/454, 455;  
312/223.3

See application file for complete search history.

(56) **References Cited**

**U.S. PATENT DOCUMENTS**

D337,333	S	*	7/1993	Turk	.....	D14/251
D391,148	S	*	2/1998	Rosen	.....	D8/380
D435,852	S	*	1/2001	Oddsens, Jr.	.....	D14/452
D496,367	S	*	9/2004	Pfister	.....	D14/451
D507,477	S	*	7/2005	Pfister	.....	D8/363
6,935,883	B2	*	8/2005	Oddsens, Jr.	.....	439/374
D534,789	S	*	1/2007	Worrall et al.	.....	D8/363
D540,658	S	*	4/2007	Worrall et al.	.....	D8/363
D541,808	S	*	5/2007	Oddsens et al.	.....	D14/452
D555,657	S	*	11/2007	Loyd	.....	D14/452

D556,205	S	*	11/2007	Wohlford et al.	.....	D14/452
D557,125	S	*	12/2007	Worrall et al.	.....	D8/380
D558,560	S	*	1/2008	Ciungan	.....	D8/363
D559,662	S	*	1/2008	Sculler et al.	.....	D8/380
D562,113	S	*	2/2008	Ciungan et al.	.....	D8/363

(Continued)

**OTHER PUBLICATIONS**

Korean Office Action, dated Apr. 24, 2014, corresponding to counterpart Korean Design Registration No. 30/2013-0033355.

(Continued)

*Primary Examiner* — Deanna L Pratt

*Assistant Examiner* — Katie Mroczka

(74) *Attorney, Agent, or Firm* — RatnerPrestia

(57) **CLAIM**

The ornamental design for a swivel mount with arm, as shown and described.

**DESCRIPTION**

FIG. 1 is a front perspective view taken from the top left corner of a swivel mount with arm;

FIG. 2 is a rear perspective view taken from the bottom left corner of the swivel mount with arm of FIG. 1;

FIG. 3 is a front elevation view of the swivel mount with arm of FIG. 1;

FIG. 4 is a rear elevation view of the swivel mount with arm of FIG. 1;

FIG. 5 is an elevation view as viewed from the right side of the swivel mount with arm of FIG. 1;

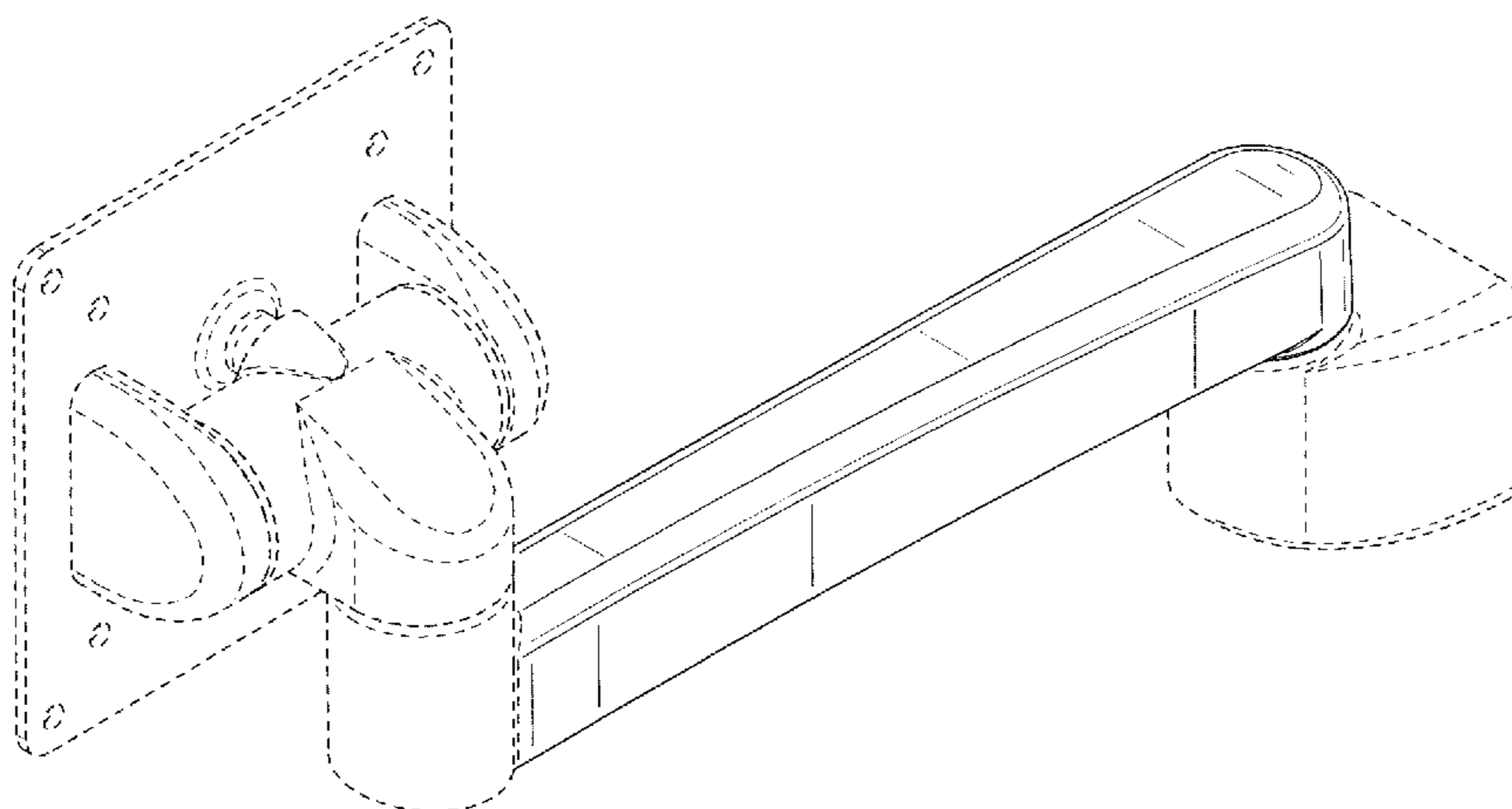
FIG. 6 is an elevation view as viewed from the left side of the swivel mount with arm of FIG. 1;

FIG. 7 is a top plan view of the swivel mount with arm of FIG. 1; and,

FIG. 8 is a bottom plan view of the swivel mount with arm of FIG. 1.

The broken lines shown in FIGS. 1-8 illustrate portions of the swivel mount with arm which form no part of the claimed design.

**1 Claim, 8 Drawing Sheets**



(56)

**References Cited**

U.S. PATENT DOCUMENTS

D584,734 S \* 1/2009 Chu ..... D14/452  
D611,802 S \* 3/2010 Li ..... D8/363  
D631,052 S \* 1/2011 Hung ..... D14/452  
D655,297 S \* 3/2012 Magnusson ..... D14/452  
D662,102 S \* 6/2012 Derry et al. .... D14/452  
D666,180 S \* 8/2012 Molter et al. .... D14/239  
D666,207 S \* 8/2012 Brandt ..... D14/452  
D677,263 S \* 3/2013 Luijben et al. .... D14/451

D679,282 S \* 4/2013 Liu et al. .... D14/452  
RE44,740 E \* 2/2014 Ciungan ..... D8/363  
D708,259 S \* 7/2014 Fagan ..... D19/108

OTHER PUBLICATIONS

Korean Office Action, dated Apr. 24, 2014, corresponding to counterpart Korean Design Registration No. 30/2013-0033356.

Korean Office Action, dated Apr. 24, 2014, corresponding to counterpart Korean Design Registration No. 30/2013-0033357.

\* cited by examiner

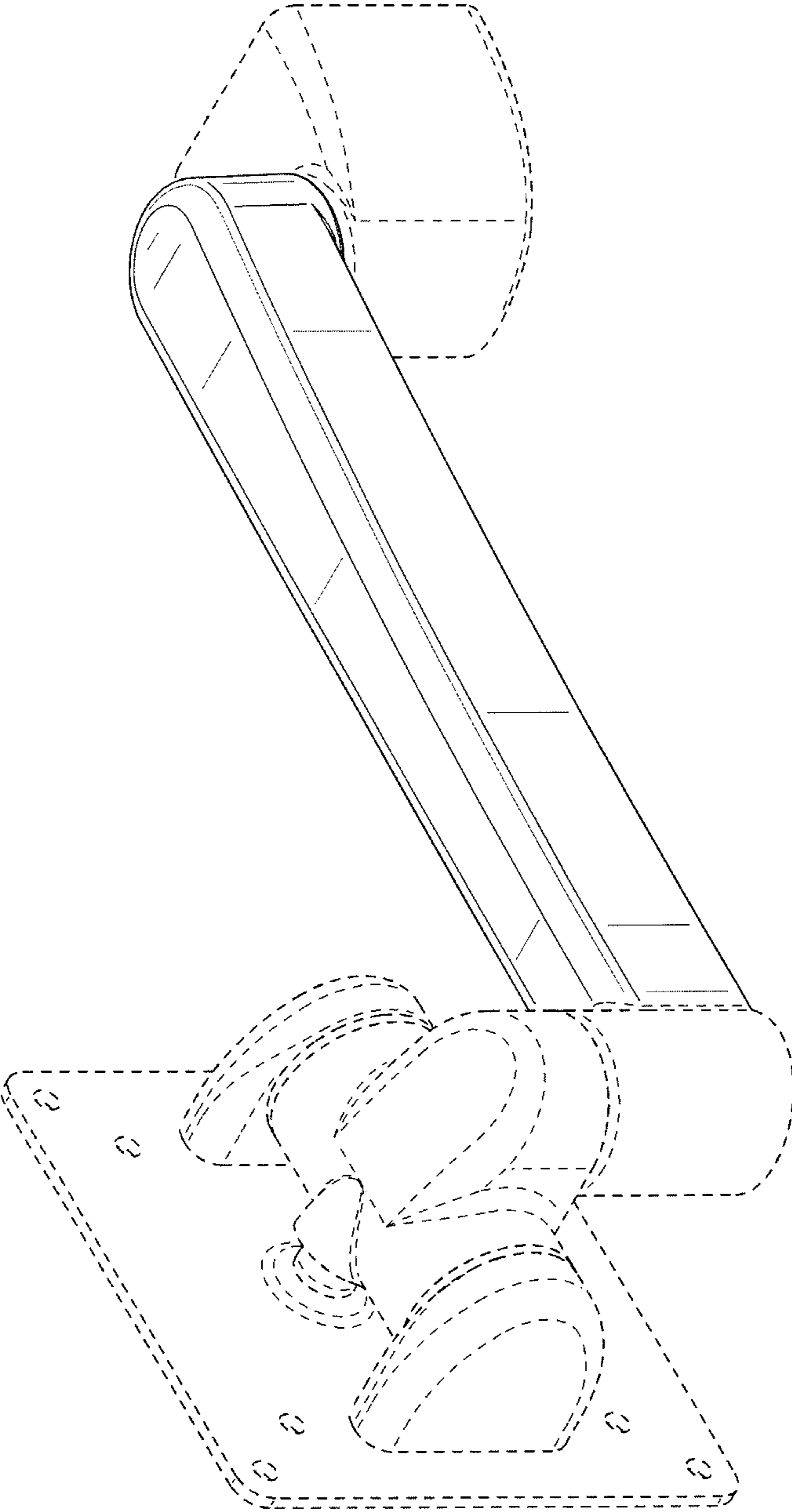


FIG. 1

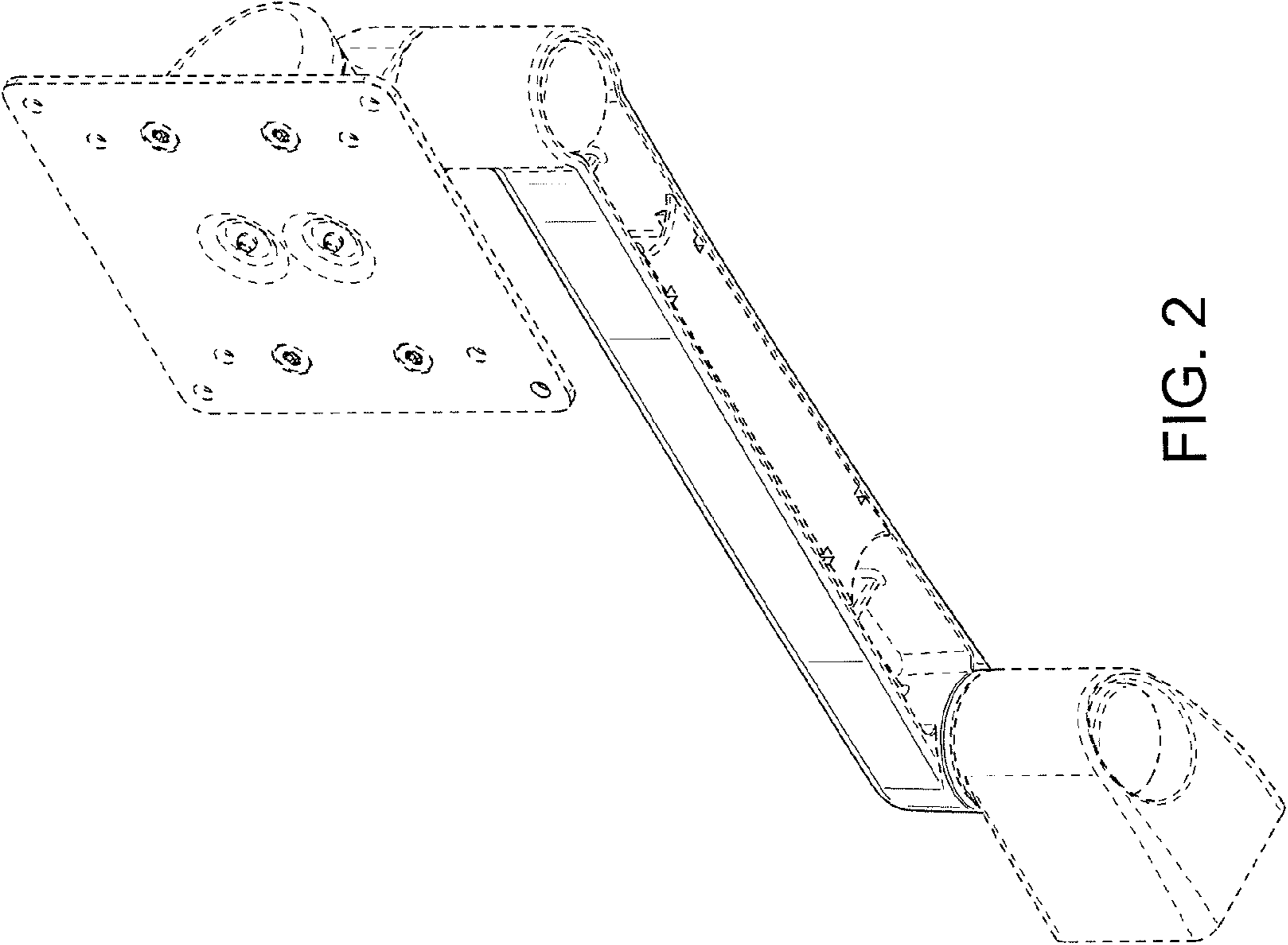


FIG. 2

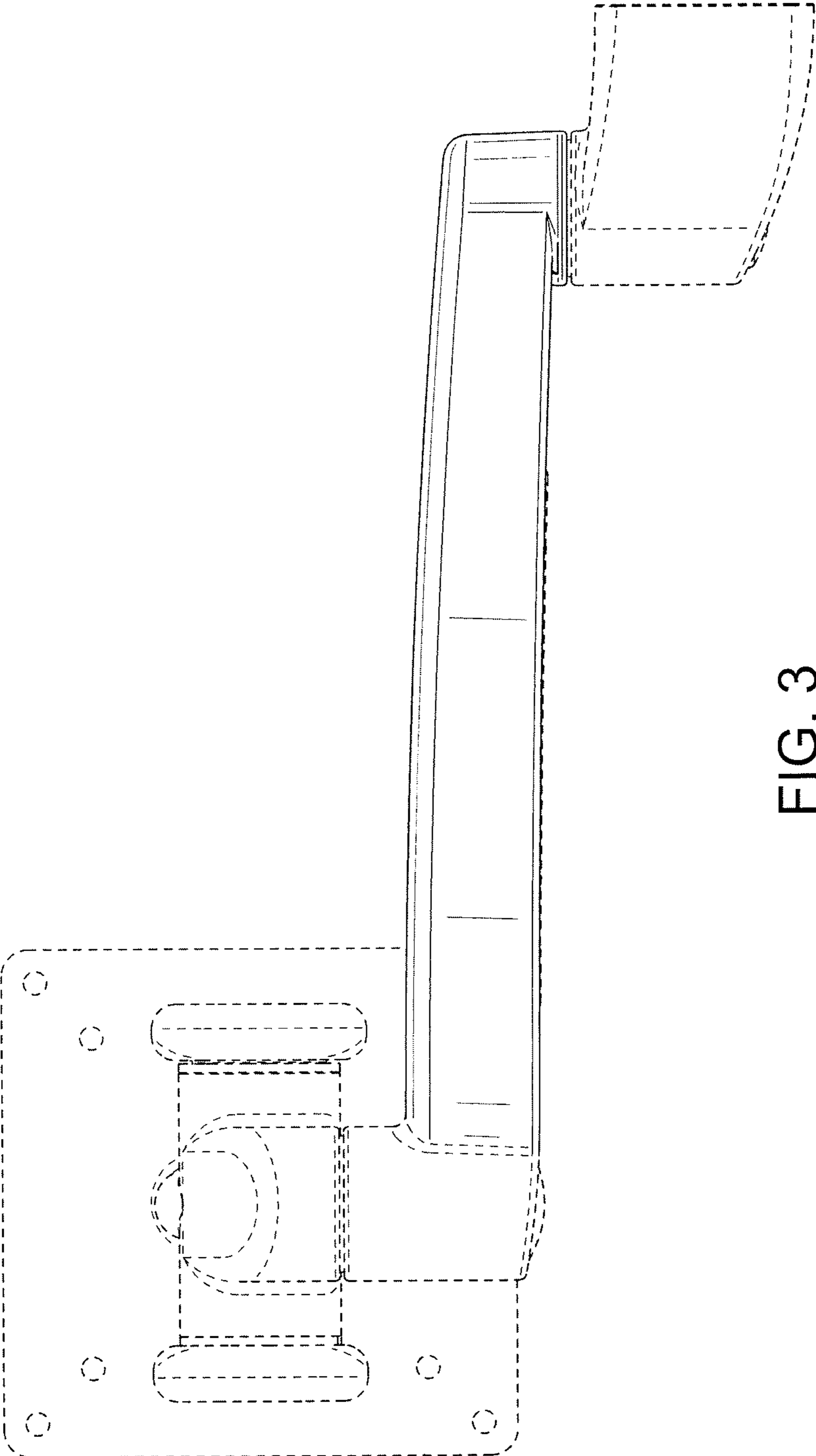


FIG. 3

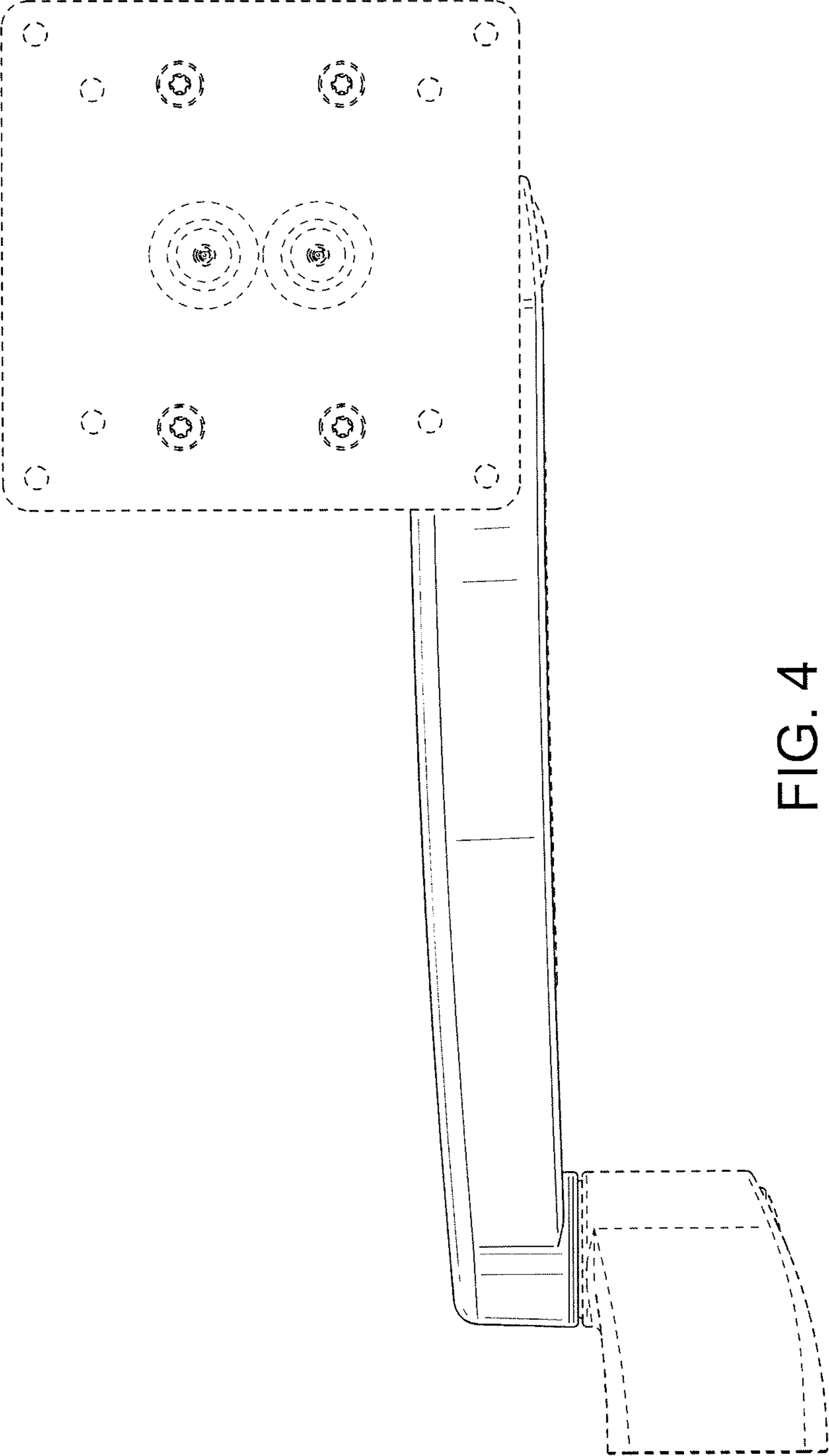


FIG. 4

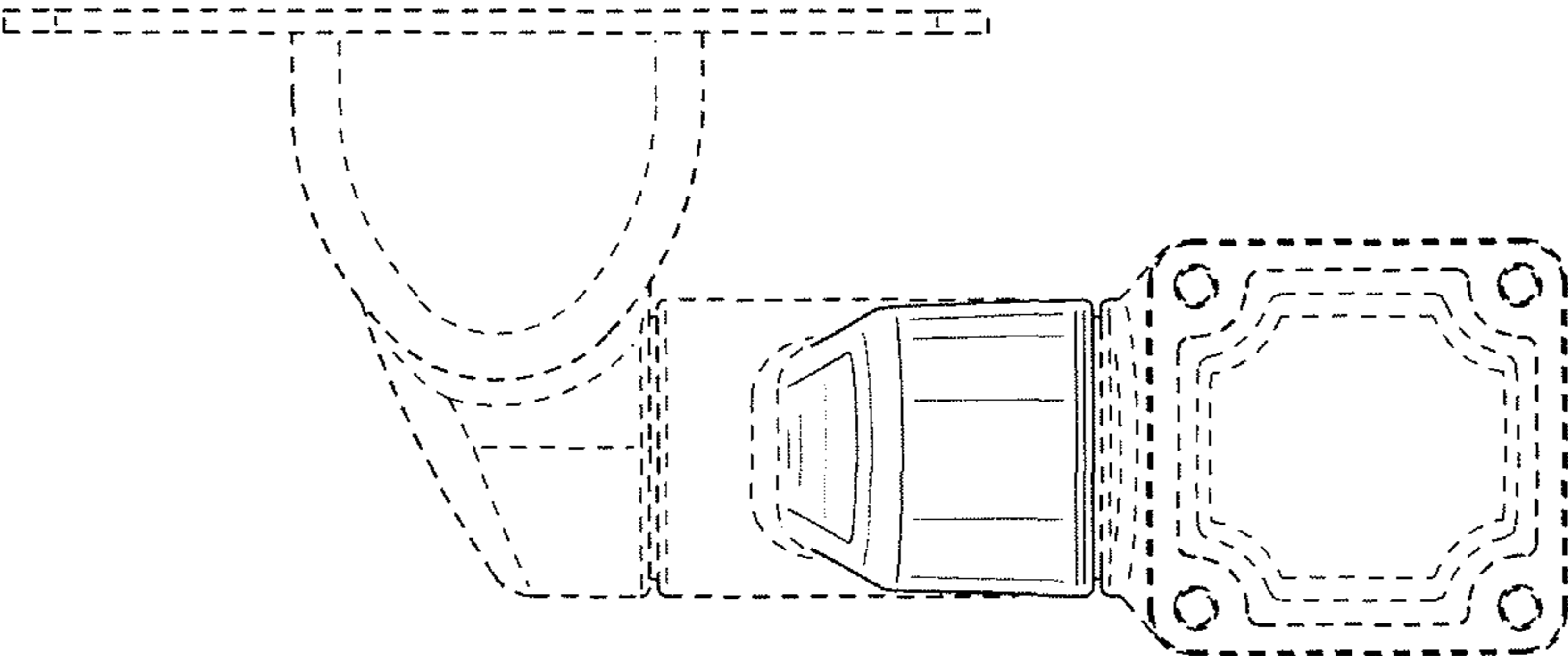


FIG. 5



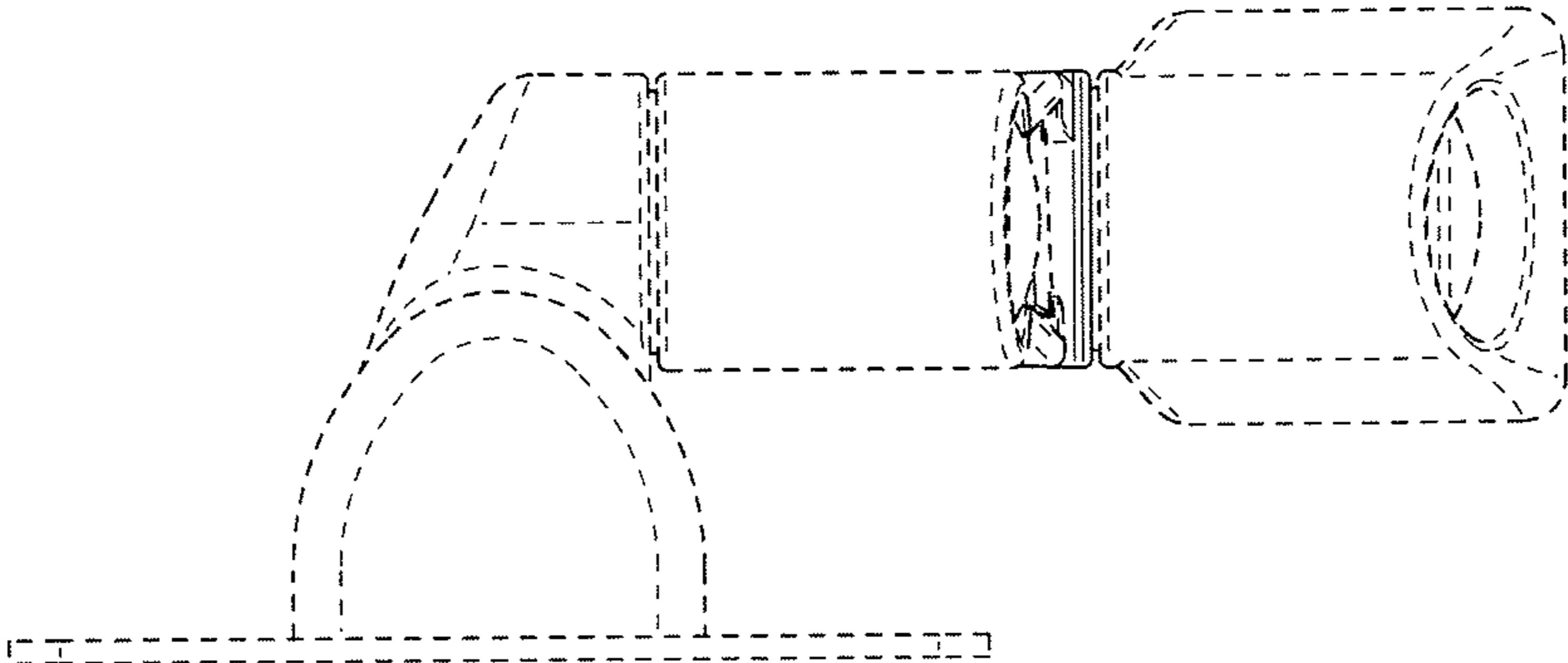


FIG. 6



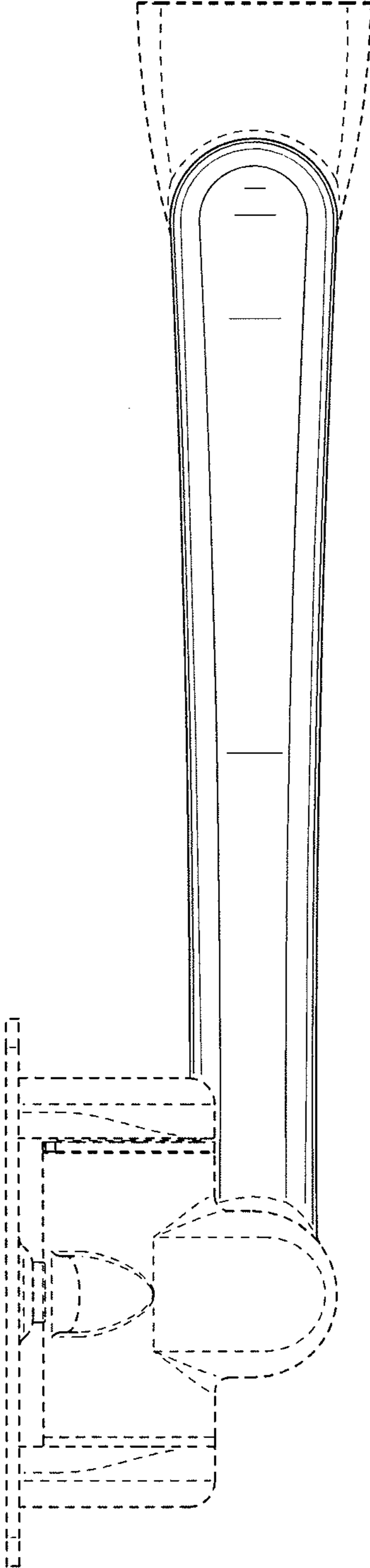


FIG. 7

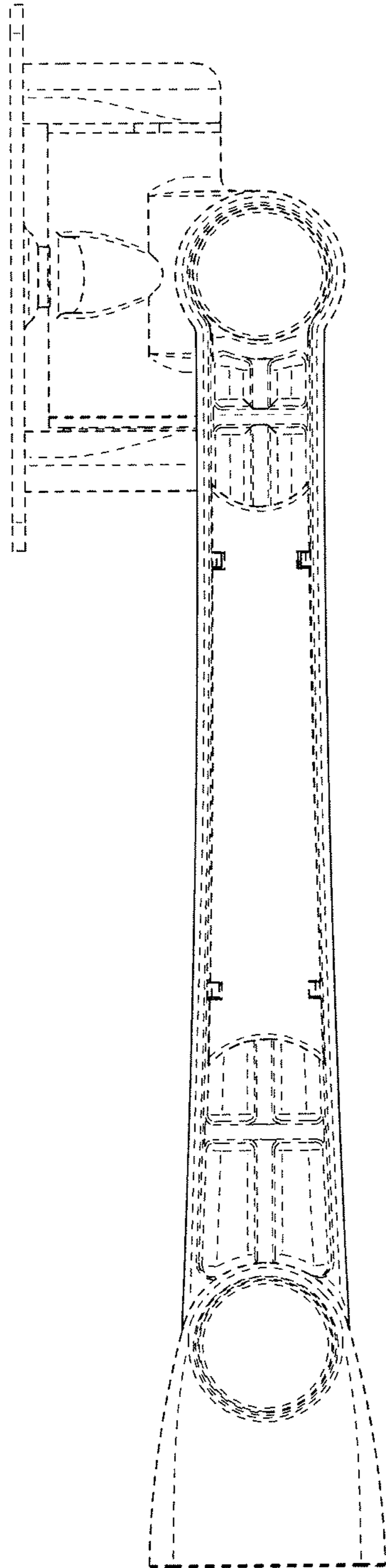


FIG. 8