



US00D729814S

(12) **United States Design Patent**
Anderson

(10) **Patent No.:** **US D729,814 S**
(45) **Date of Patent:** **** May 19, 2015**

(54) **SWIVEL MOUNT**

(71) Applicant: **Southco, Inc.**, Concordville, PA (US)

(72) Inventor: **Glenn Eric Anderson**, Malvern, PA (US)

(73) Assignee: **Southco, Inc.**, Concordville, PA (US)

(**) Term: **14 Years**

(21) Appl. No.: **29/440,879**

(22) Filed: **Dec. 28, 2012**

(51) **LOC (10) Cl.** **08-07**

(52) **U.S. Cl.**
USPC **D14/452**

(58) **Field of Classification Search**
USPC D14/371–382, 125–129, 336, 337, 448,
D14/450–452, 492, 335, 447, 239; 341/12;
345/104, 156, 168, 173; 348/180, 184,
348/325, 739, 825; 349/1, 2, 11, 62;
361/679.02, 679.04–679.07, 679.09,
361/679.21, 679.22, 679.26, 679.3;
D8/349, 354, 363, 373, 376, 380;
248/519, 534, 541, 58, 125.8, 127,
248/131, 133, 139, 176.1, 176.3, 188.5,
248/279.1, 333, 917–924; 379/454, 455;
312/223.3

See application file for complete search history.

(56) **References Cited**

U.S. PATENT DOCUMENTS

D554,137 S *	10/2007	Richter	D14/447
D557,126 S *	12/2007	Worrall et al.	D8/380
D562,114 S *	2/2008	Chiu et al.	D8/363
D563,774 S *	3/2008	Wohlford et al.	D8/363
D565,938 S *	4/2008	Massoumi et al.	D8/363
D576,633 S *	9/2008	Muday et al.	D14/452
D620,943 S *	8/2010	Grey et al.	D14/452
D638,023 S *	5/2011	Skull et al.	D14/452
D646,685 S *	10/2011	Skull et al.	D14/452
D650,372 S *	12/2011	Molter	D14/239
D655,284 S *	3/2012	Richter	D14/253
D662,103 S *	6/2012	Brandt	D14/452

D677,263 S *	3/2013	Luijben et al.	D14/451
D679,281 S *	4/2013	Kaluza	D14/452
RE44,740 E *	2/2014	Ciungan	D8/363
D708,603 S *	7/2014	Kim	D14/253
D712,394 S *	9/2014	Booth et al.	D14/253
D718,297 S *	11/2014	Aspinall et al.	D14/253
D718,298 S *	11/2014	Aspinall et al.	D14/253
2005/0236536 A1 *	10/2005	Fan	248/176.3

OTHER PUBLICATIONS

Korean Office Action, dated Apr. 24, 2014, corresponding to counterpart Korean Design Registration No. 30-2013-0033355.
Korean Office Action, dated Apr. 24, 2014, corresponding to counterpart Korean Design Registration No. 30-2013-0033356.
Korean Office Action, dated Apr. 24, 2014, corresponding to counterpart Korean Design Registration No. 30-2013-0033357.

* cited by examiner

Primary Examiner — Deanna L Pratt

Assistant Examiner — Katie Mroczka

(74) *Attorney, Agent, or Firm* — RatnerPrestia

(57) **CLAIM**

The ornamental design for a swivel mount, as shown and described.

DESCRIPTION

FIG. 1 is a rear perspective view taken from the top right corner of a swivel mount;
FIG. 2 is a rear perspective view taken from the bottom left corner of the swivel mount of FIG. 1;
FIG. 3 is a front elevation view of the swivel mount of FIG. 1;
FIG. 4 is an elevation view as viewed from the right side of the swivel mount of FIG. 1;
FIG. 5 is an elevation view as viewed from the left side of the swivel mount of FIG. 1;
FIG. 6 is a top plan view of the swivel mount of FIG. 1;
FIG. 7 is a bottom plan view of the swivel mount of FIG. 1;
FIG. 8 is a front perspective view taken from the top right corner of the swivel mount of FIG. 1, wherein a mounting portion of the swivel mount is shown in a pivoted configuration;
FIG. 9 is a rear perspective view taken from the top right corner of the pivoted swivel mount of FIG. 8;

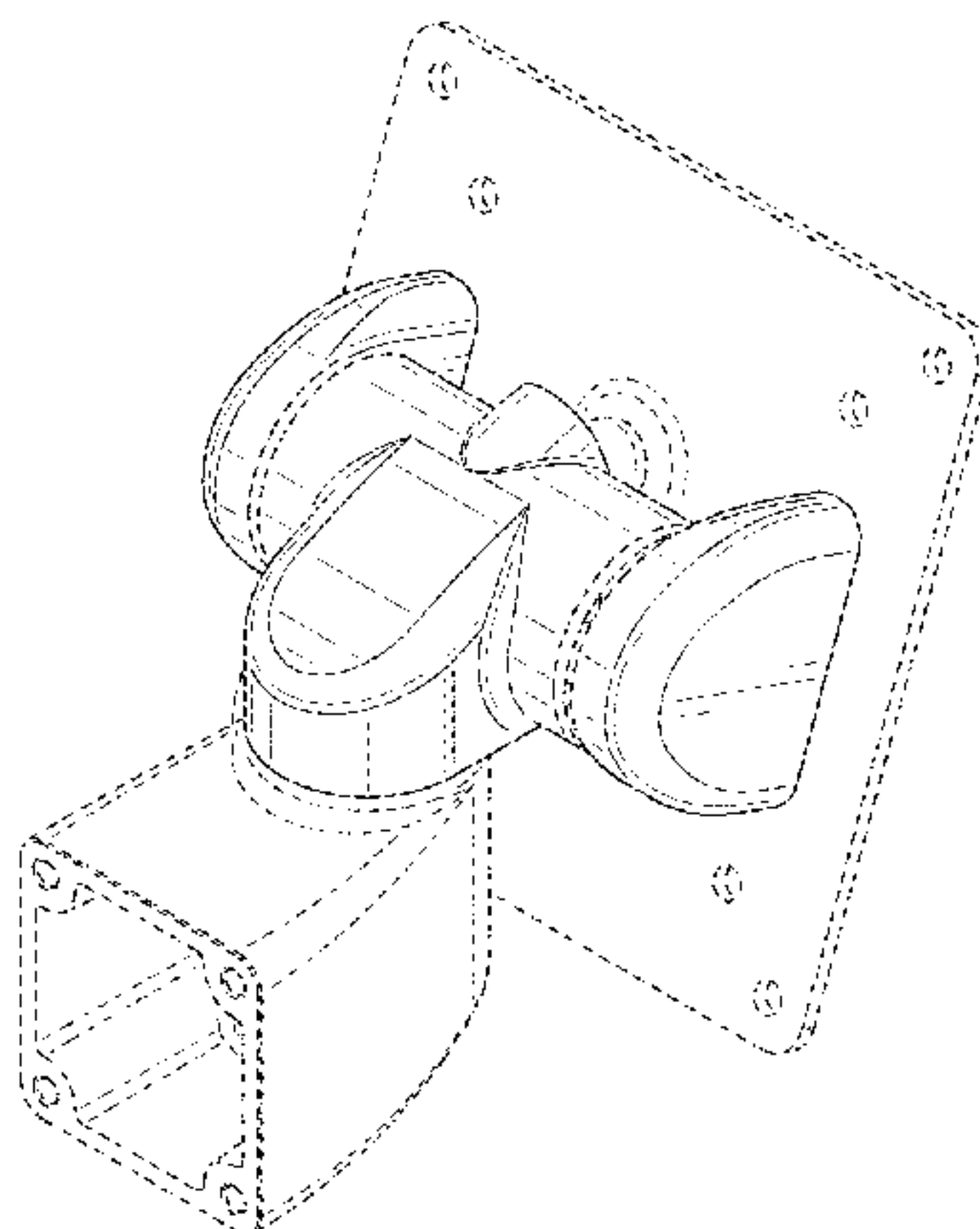


FIG. 10 is a rear perspective view taken from the bottom left corner of the pivoted swivel mount of FIG. 8;

FIG. 11 is a front elevation view of the pivoted swivel mount of FIG. 8;

FIG. 12 is a rear elevation view of the pivoted swivel mount of FIG. 8;

FIG. 13 is an elevation view as viewed from the right side of the pivoted swivel mount of FIG. 8;

FIG. 14 is an elevation view as viewed from the left side of the pivoted swivel mount of FIG. 8;

FIG. 15 is a top plan view of the pivoted swivel mount of FIG. 8;

FIG. 16 is a bottom plan view of the pivoted swivel mount of FIG. 8;

FIG. 17 is a front perspective view taken from the top right corner of the swivel mount of FIGS. 1 and 8, wherein both the

mounting portion of the swivel mount and a base portion of the swivel mount are shown in pivoted configurations;

FIG. 18 is a front elevation view of the pivoted swivel mount of FIG. 17;

FIG. 19 is a rear elevation view of the pivoted swivel mount of FIG. 17;

FIG. 20 is an elevation view as viewed from the right side of the pivoted swivel mount of FIG. 17;

FIG. 21 is an elevation view as viewed from the left side of the pivoted swivel mount of FIG. 17;

FIG. 22 is a top plan view of the pivoted swivel mount of FIG. 17; and,

FIG. 23 is a bottom plan view of the pivoted swivel mount of FIG. 17.

The broken lines shown in FIGS. 1-23 illustrate portions of the swivel mount which form no part of the claimed design.

1 Claim, 23 Drawing Sheets

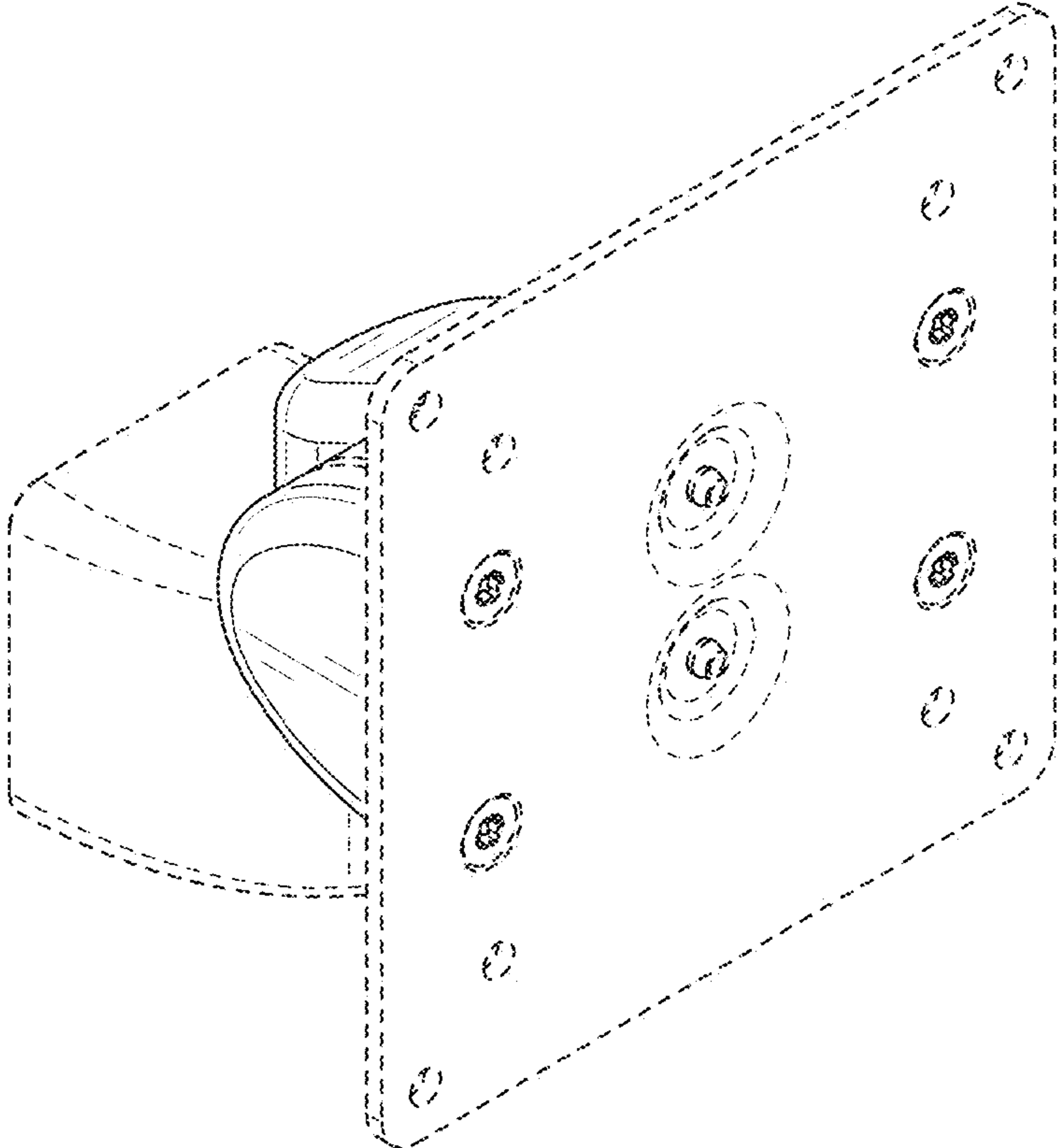


FIG. 1

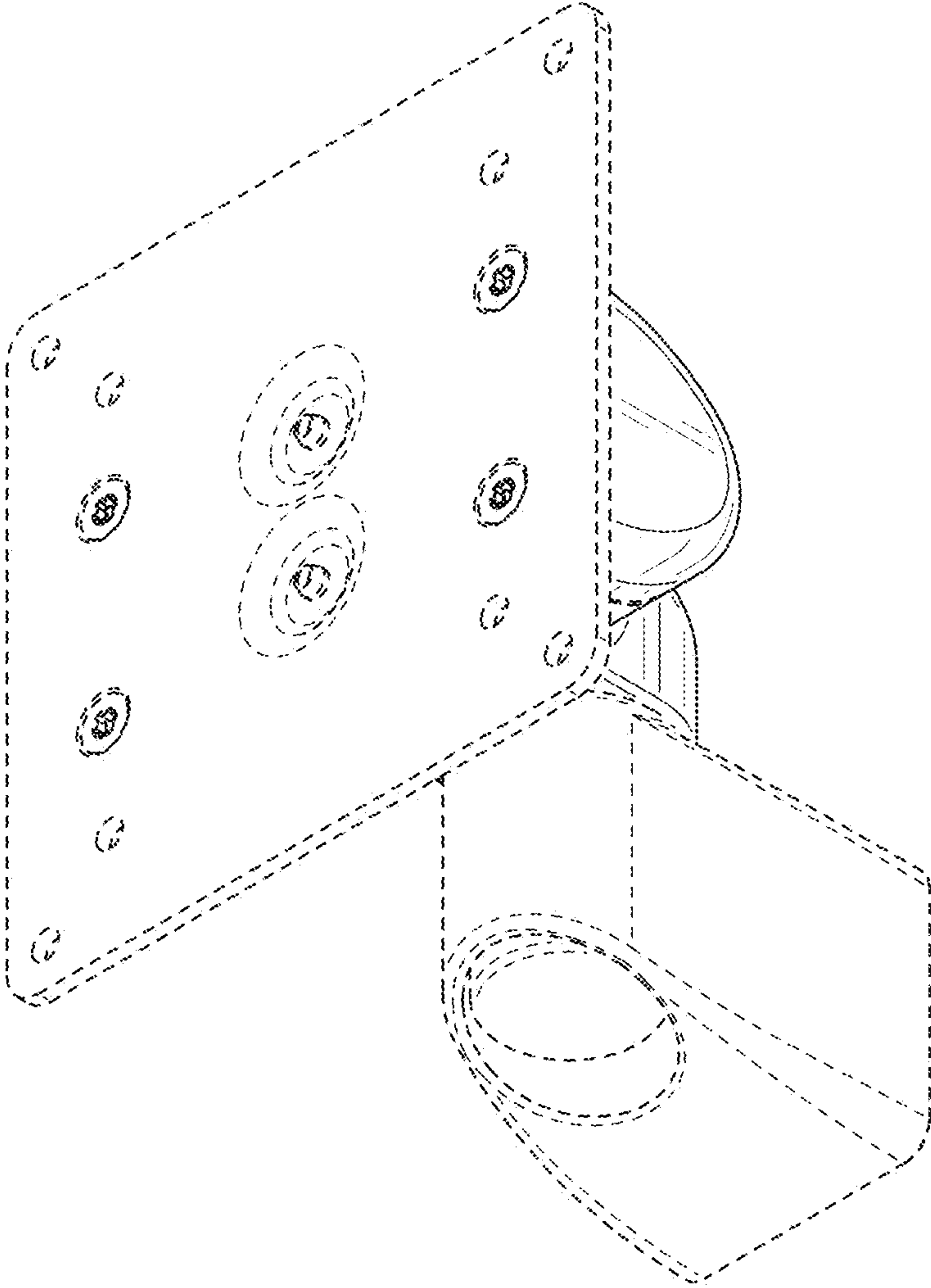


FIG. 2

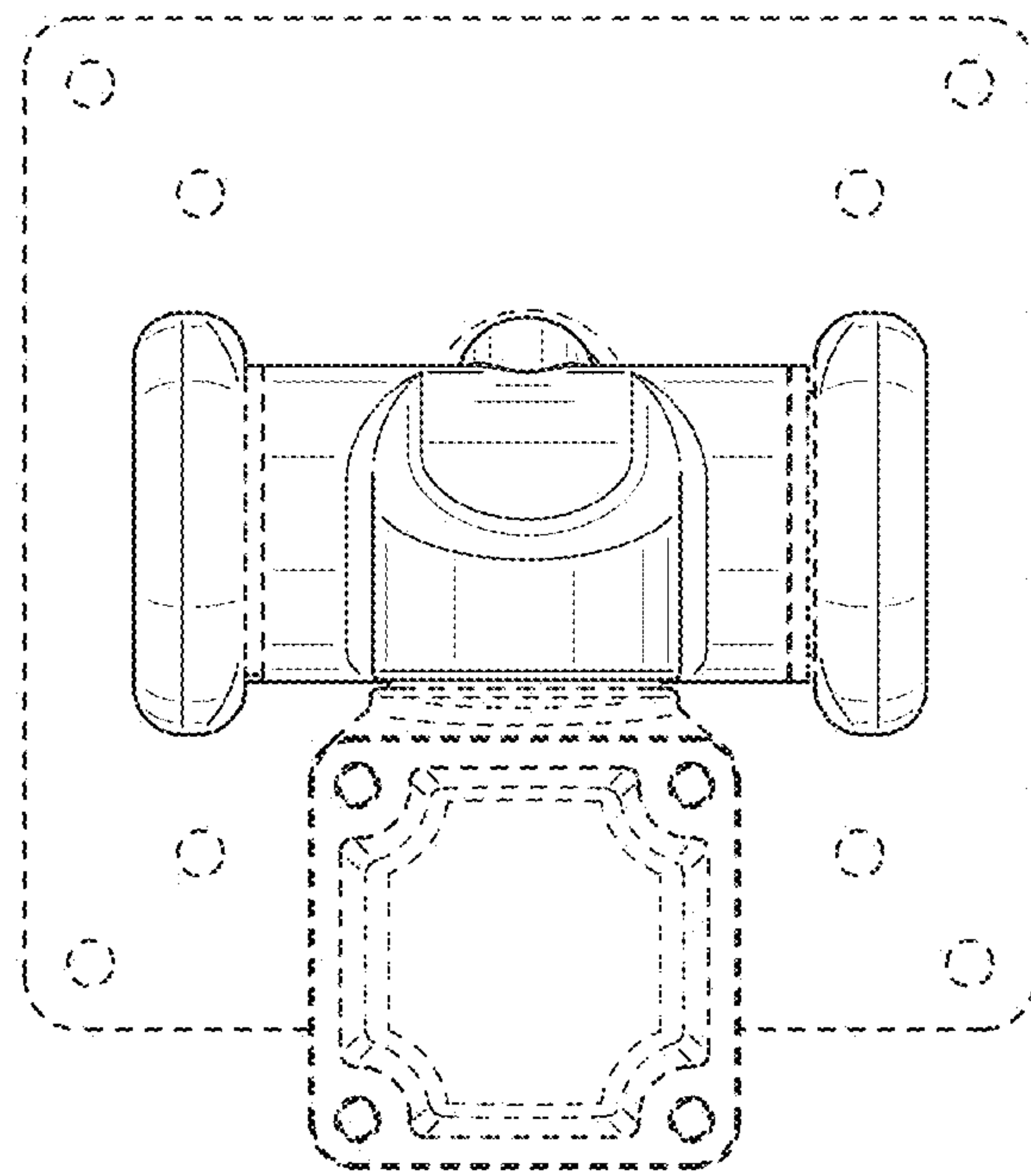


FIG. 3

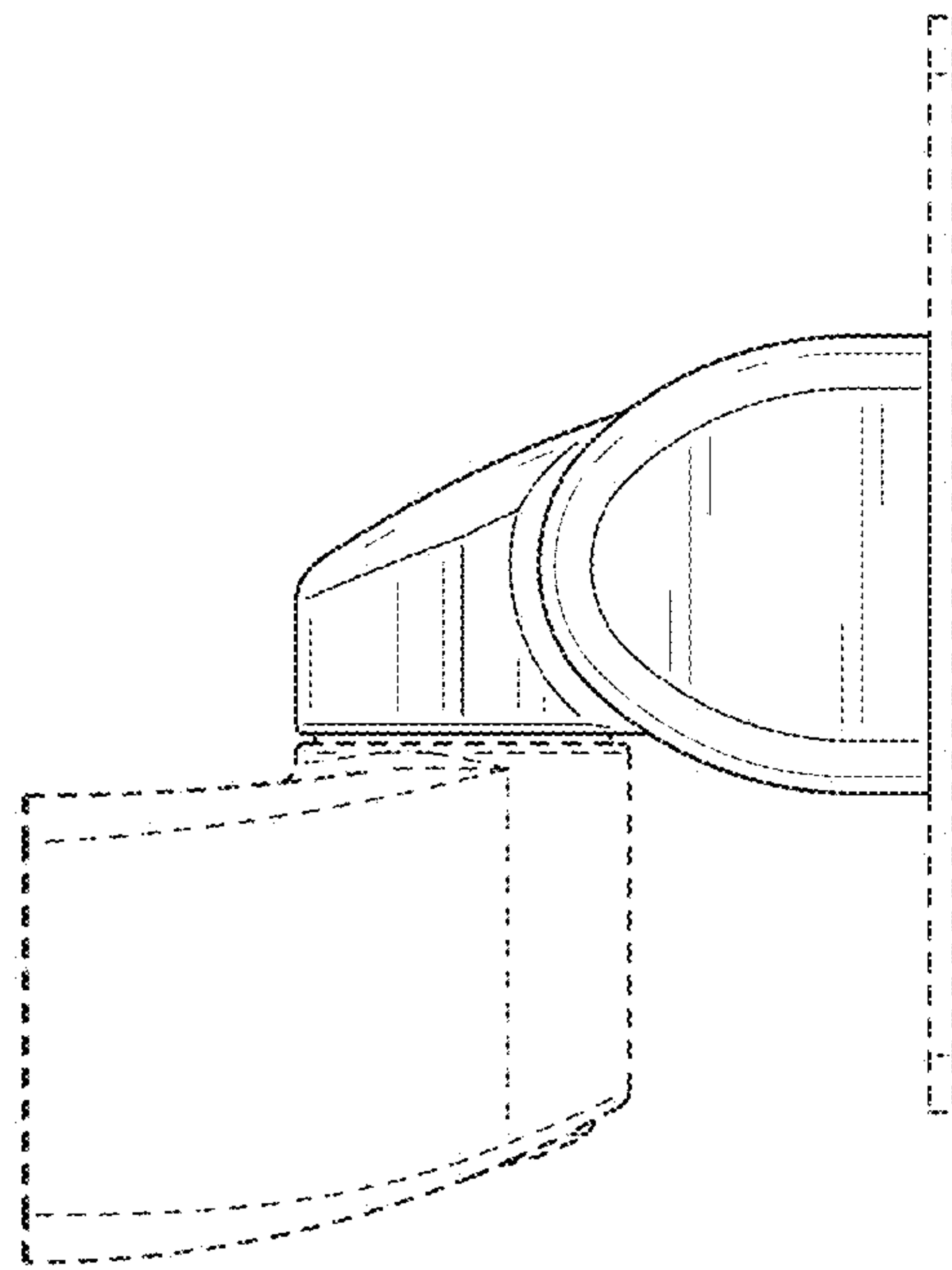


FIG. 4

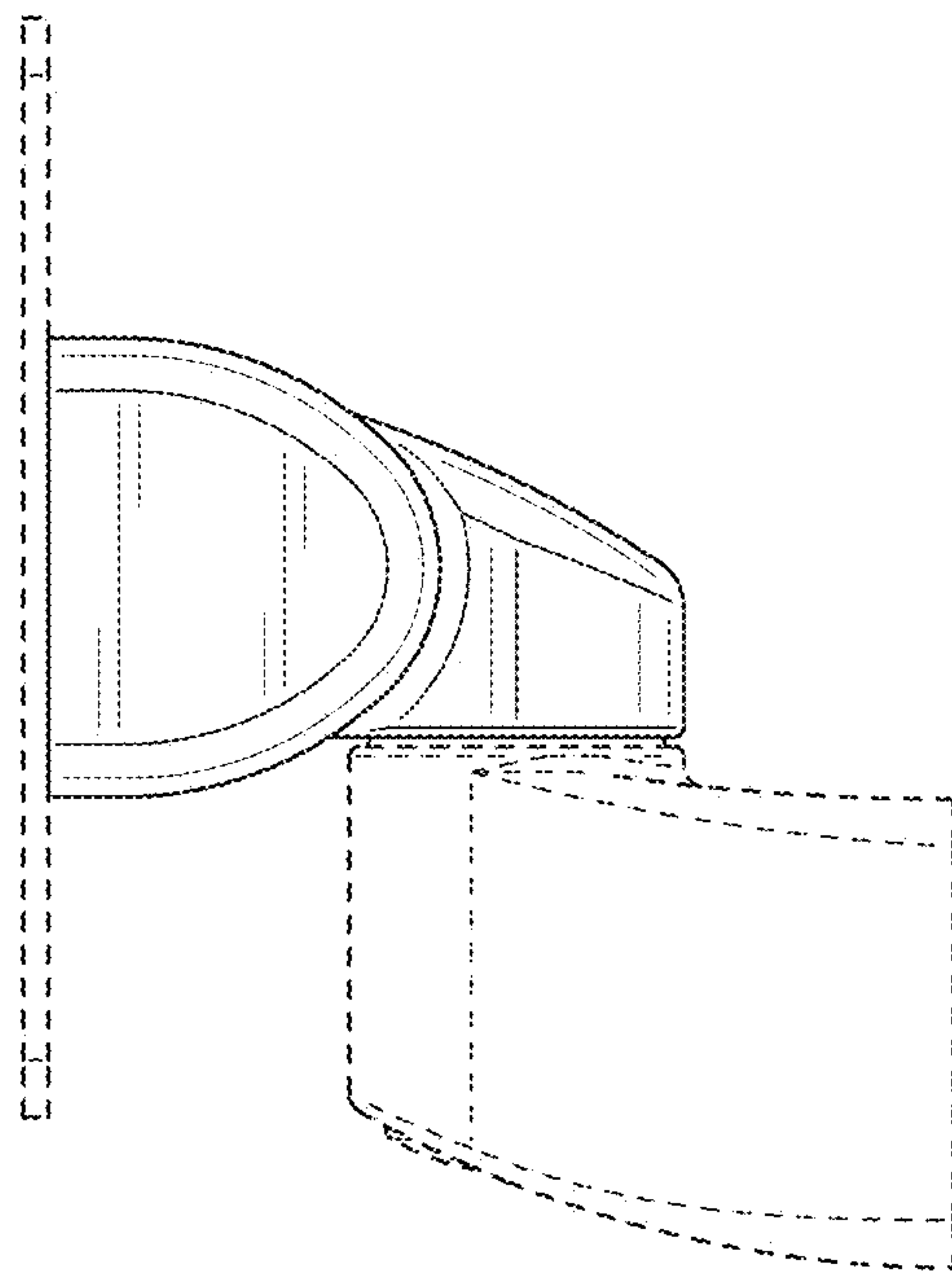


FIG. 5

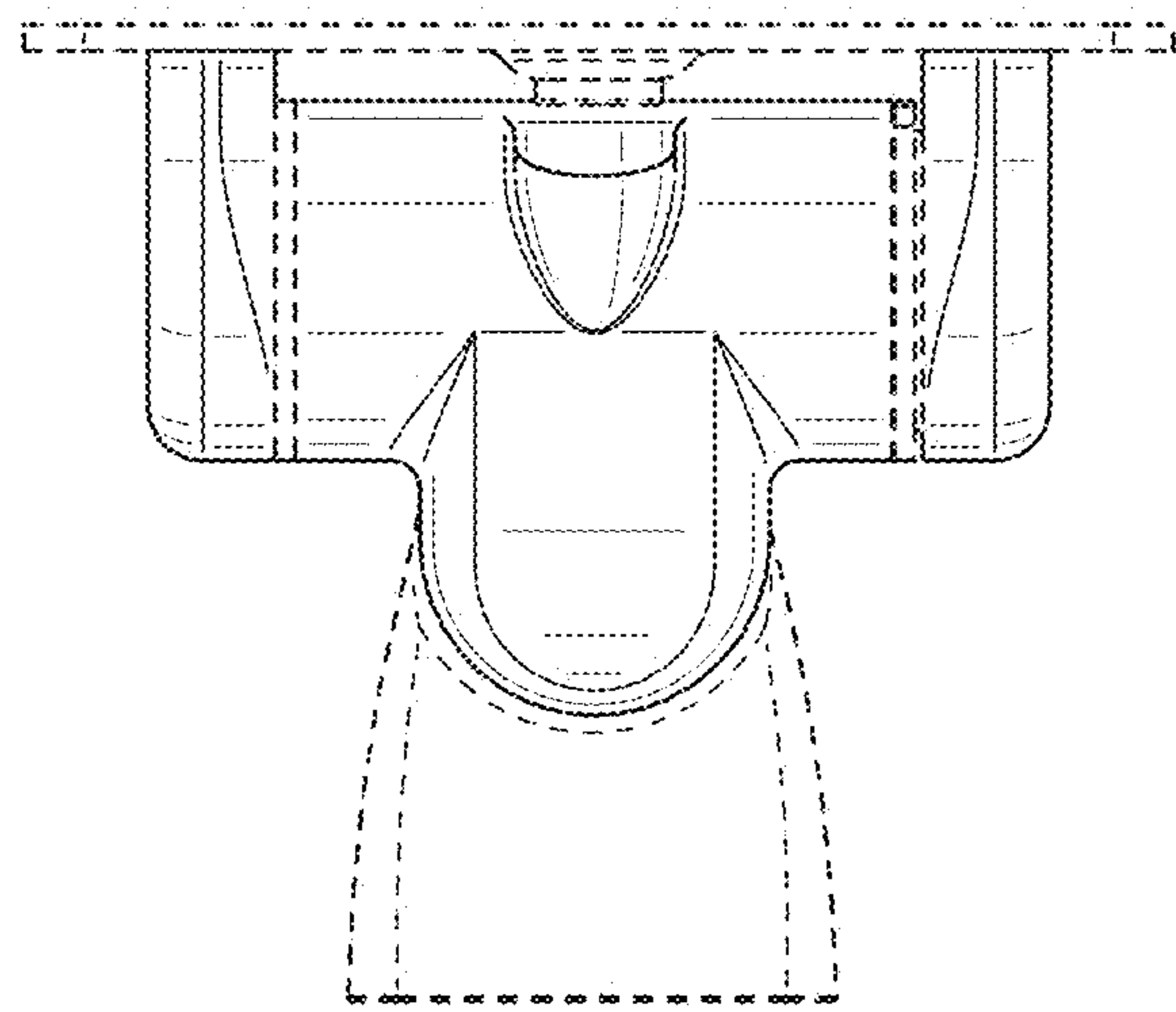


FIG. 6

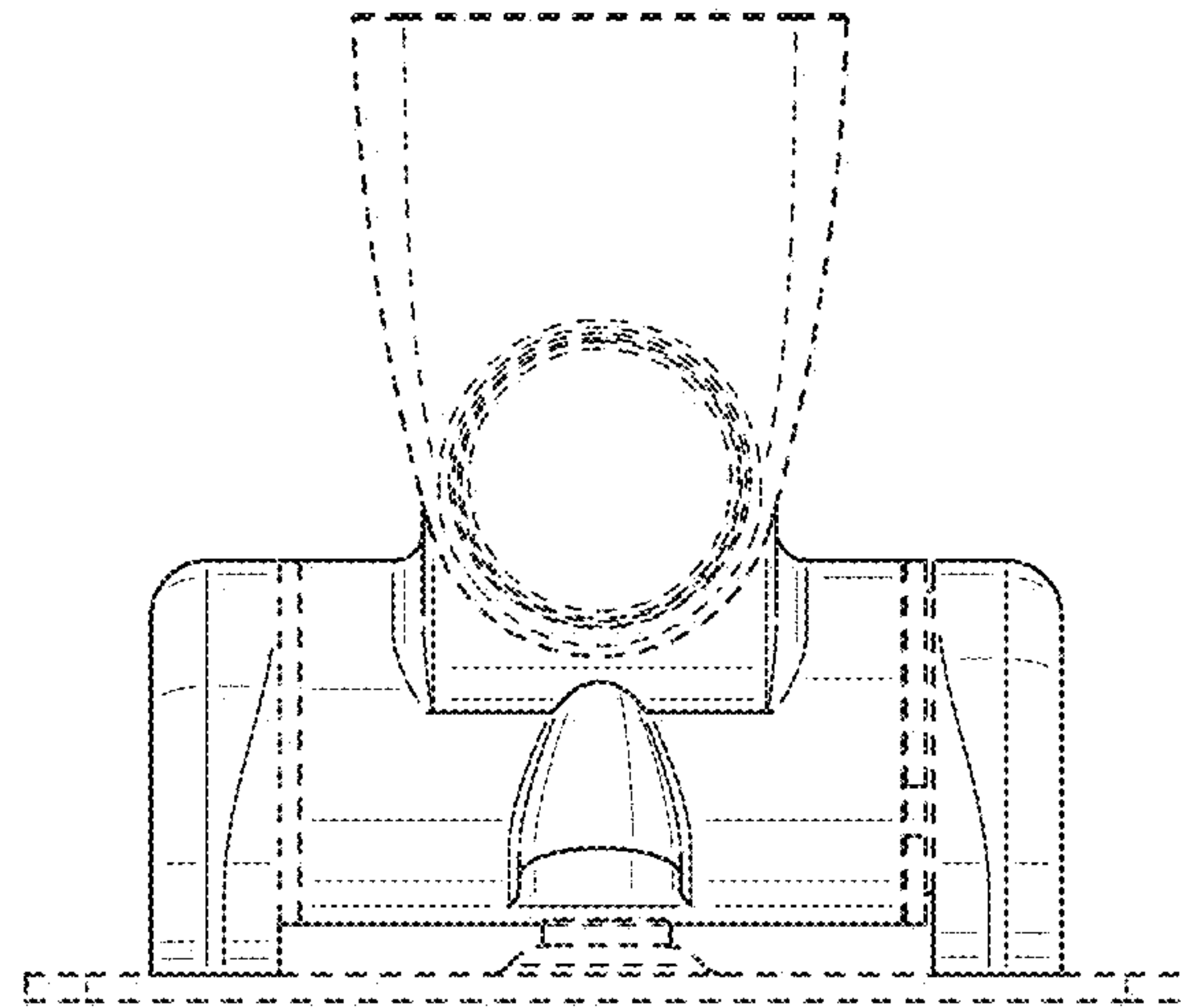


FIG. 7

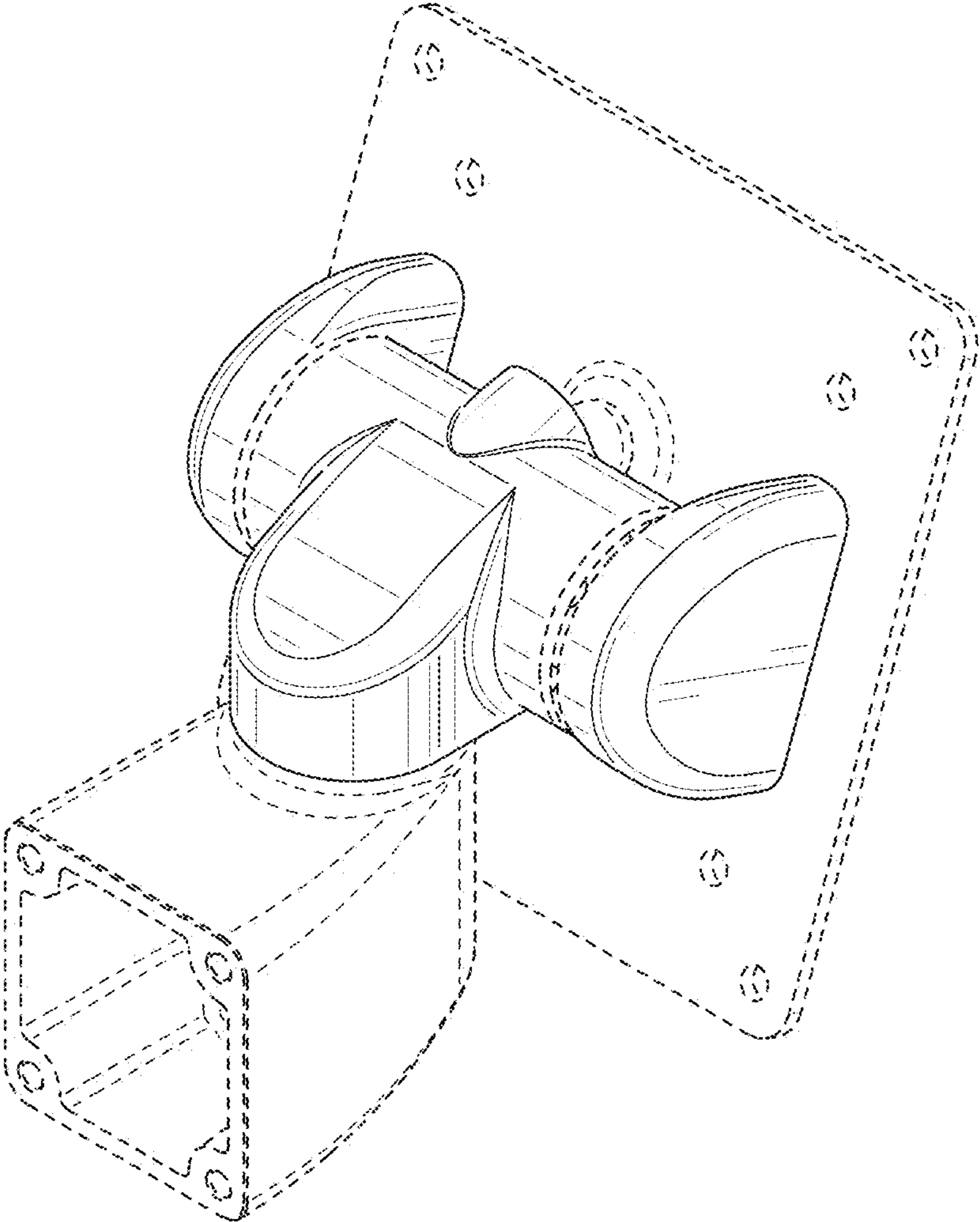


FIG. 8

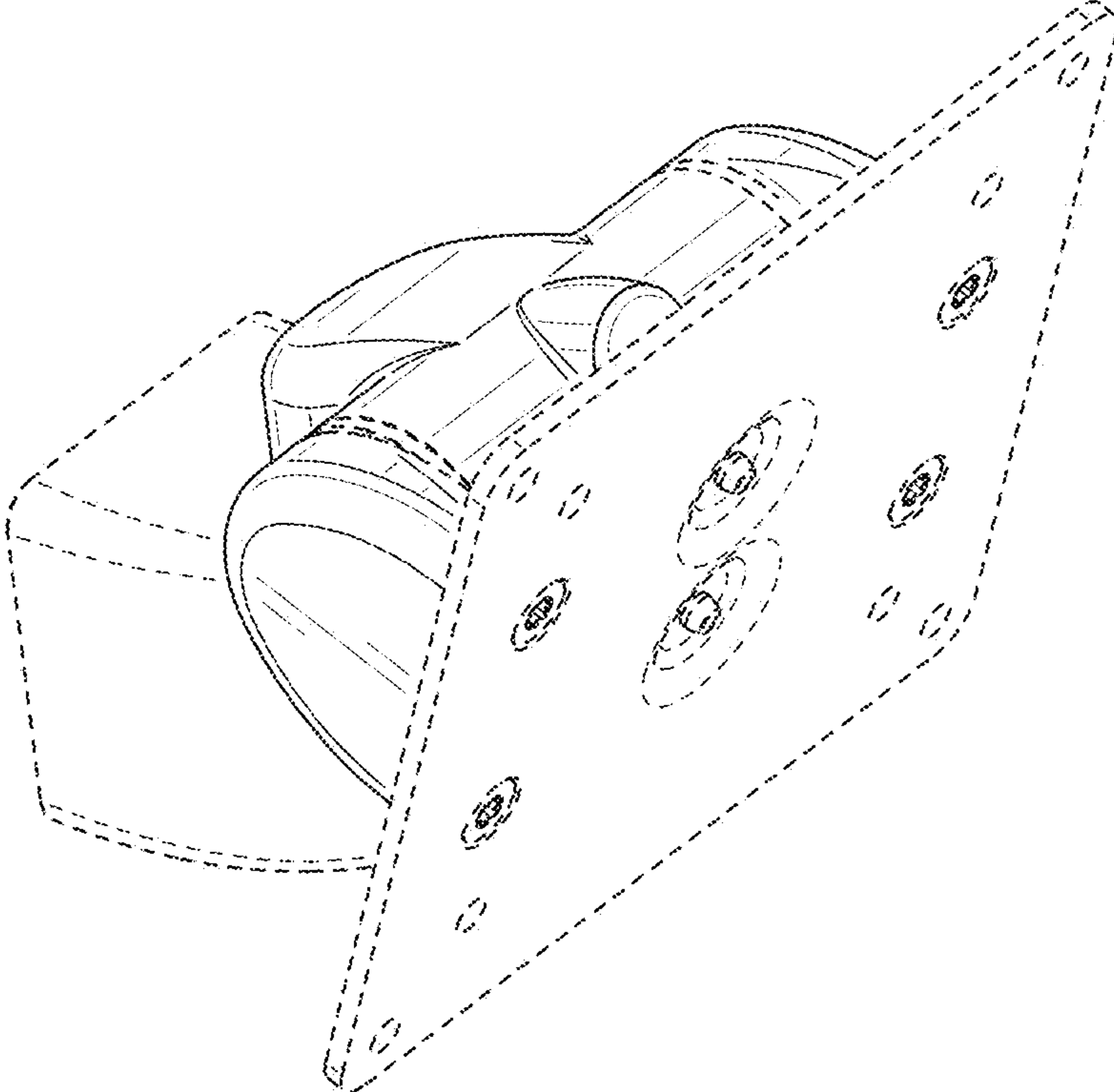


FIG. 9

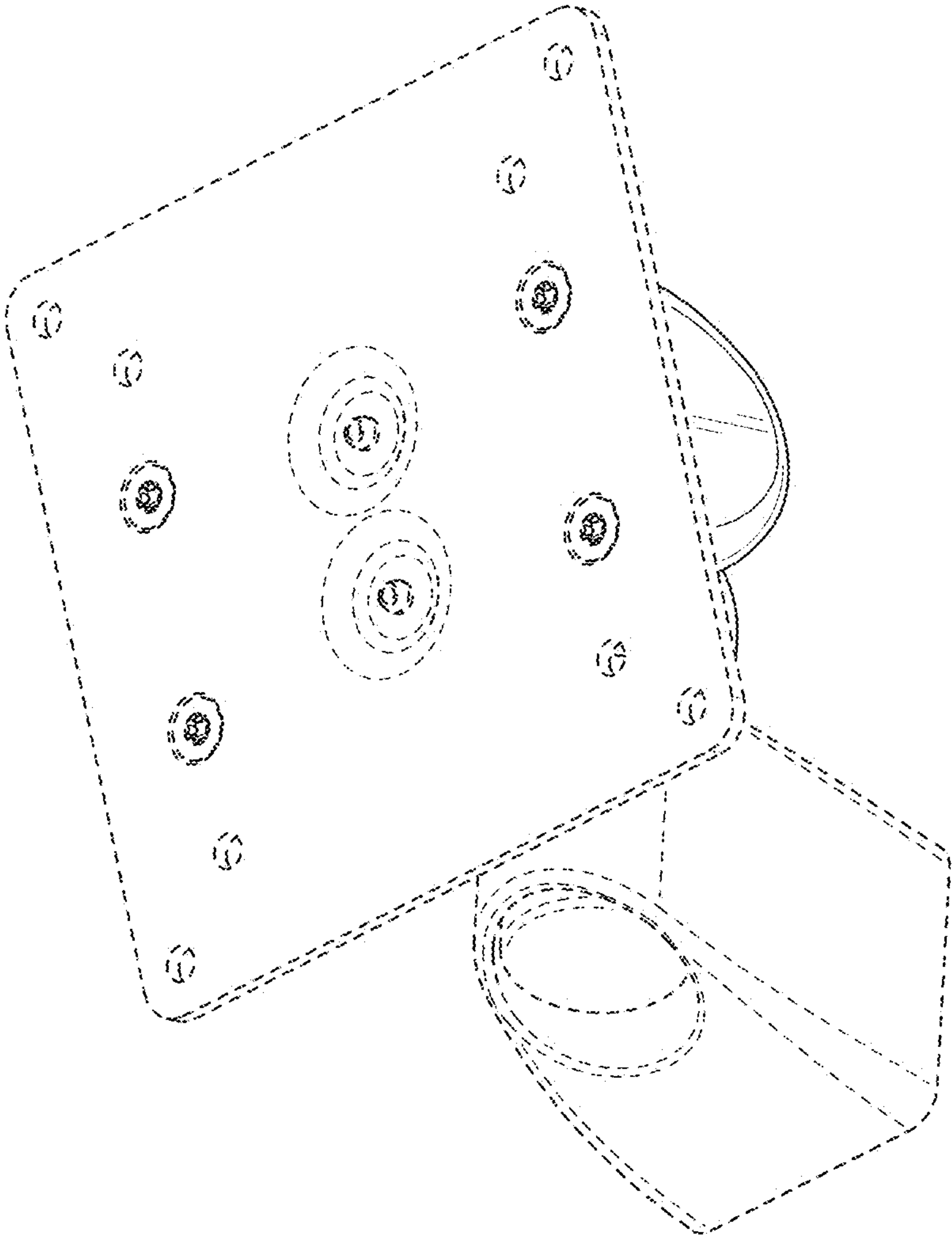


FIG. 10

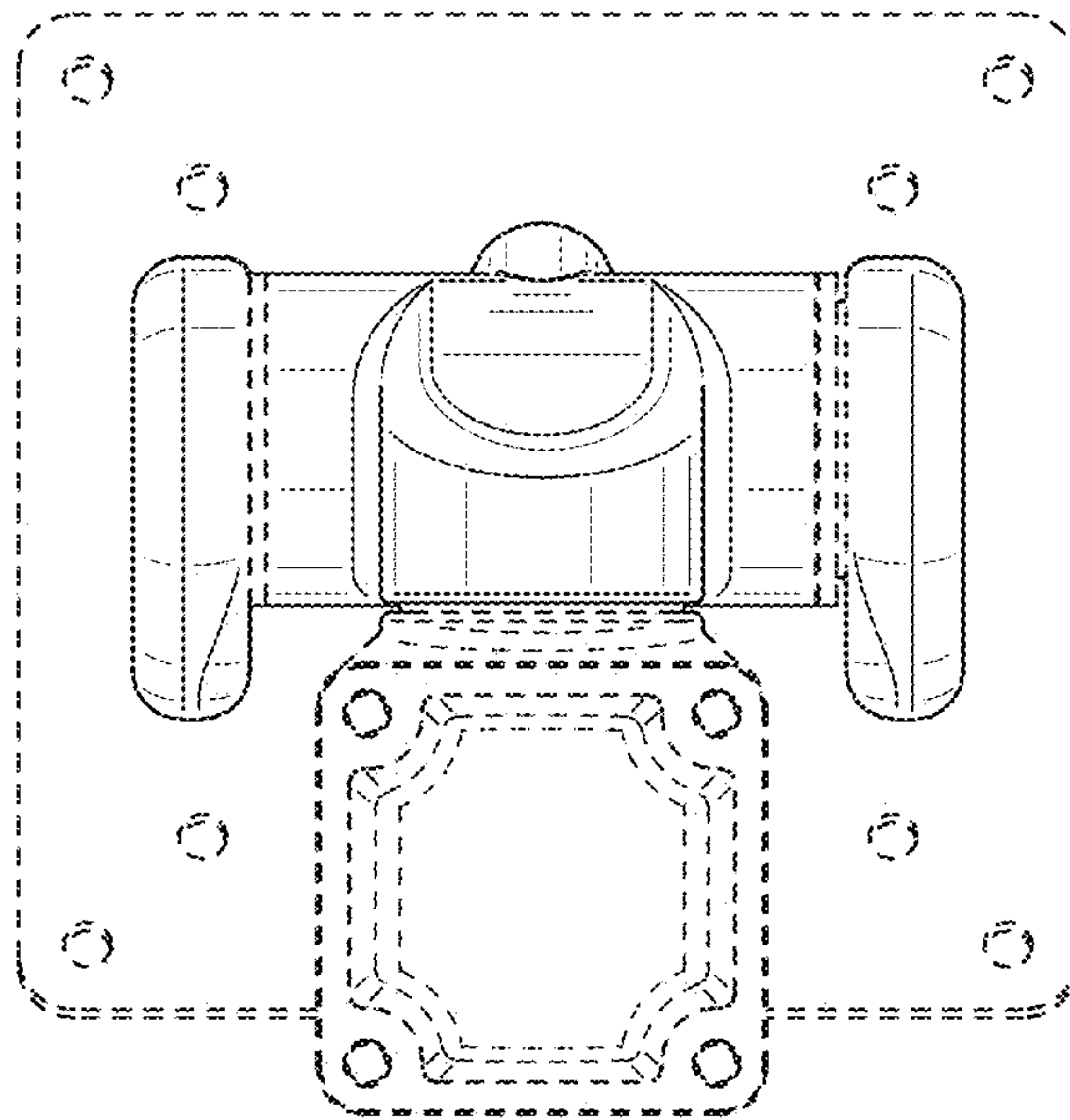


FIG. 11

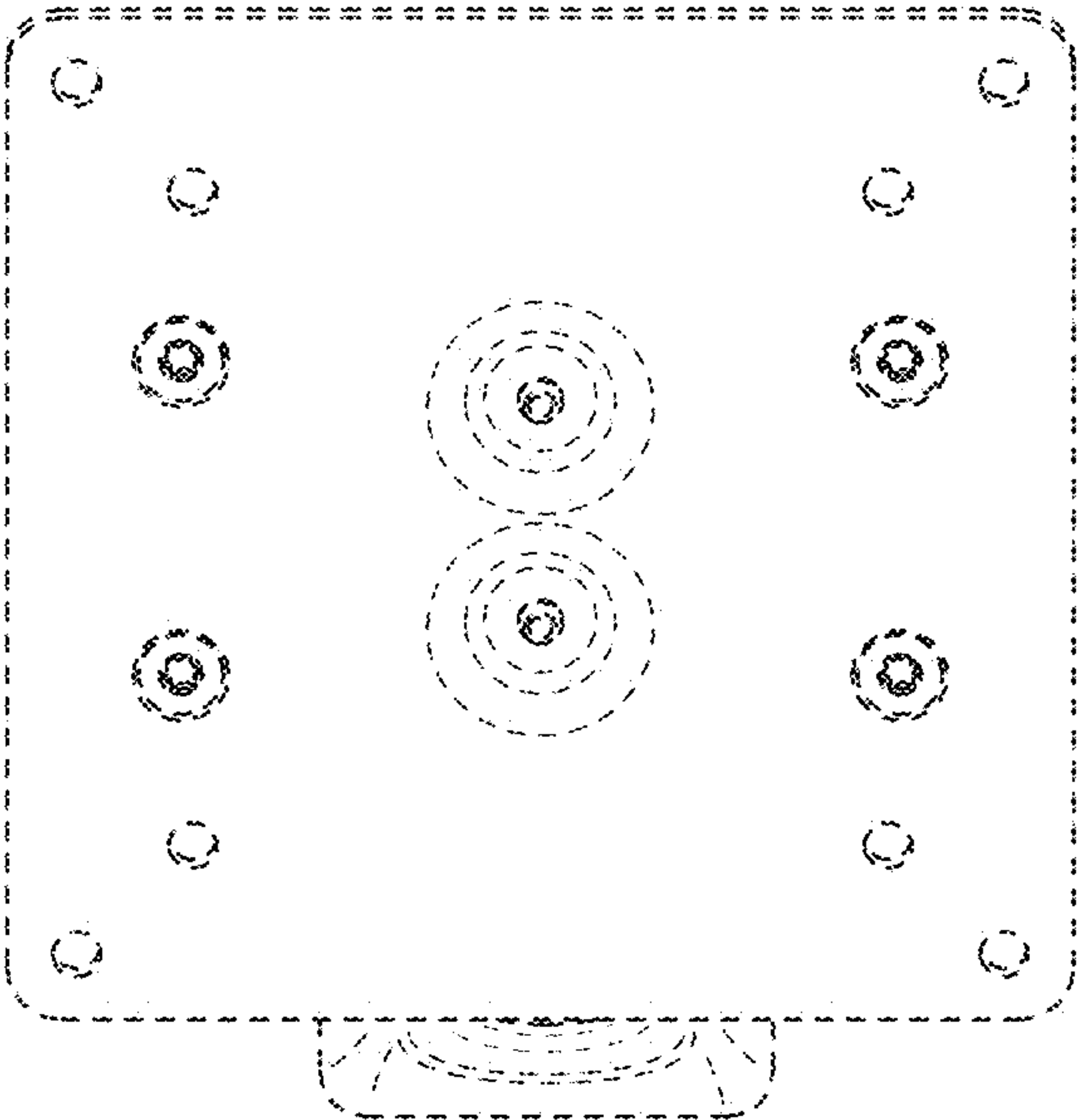


FIG. 12

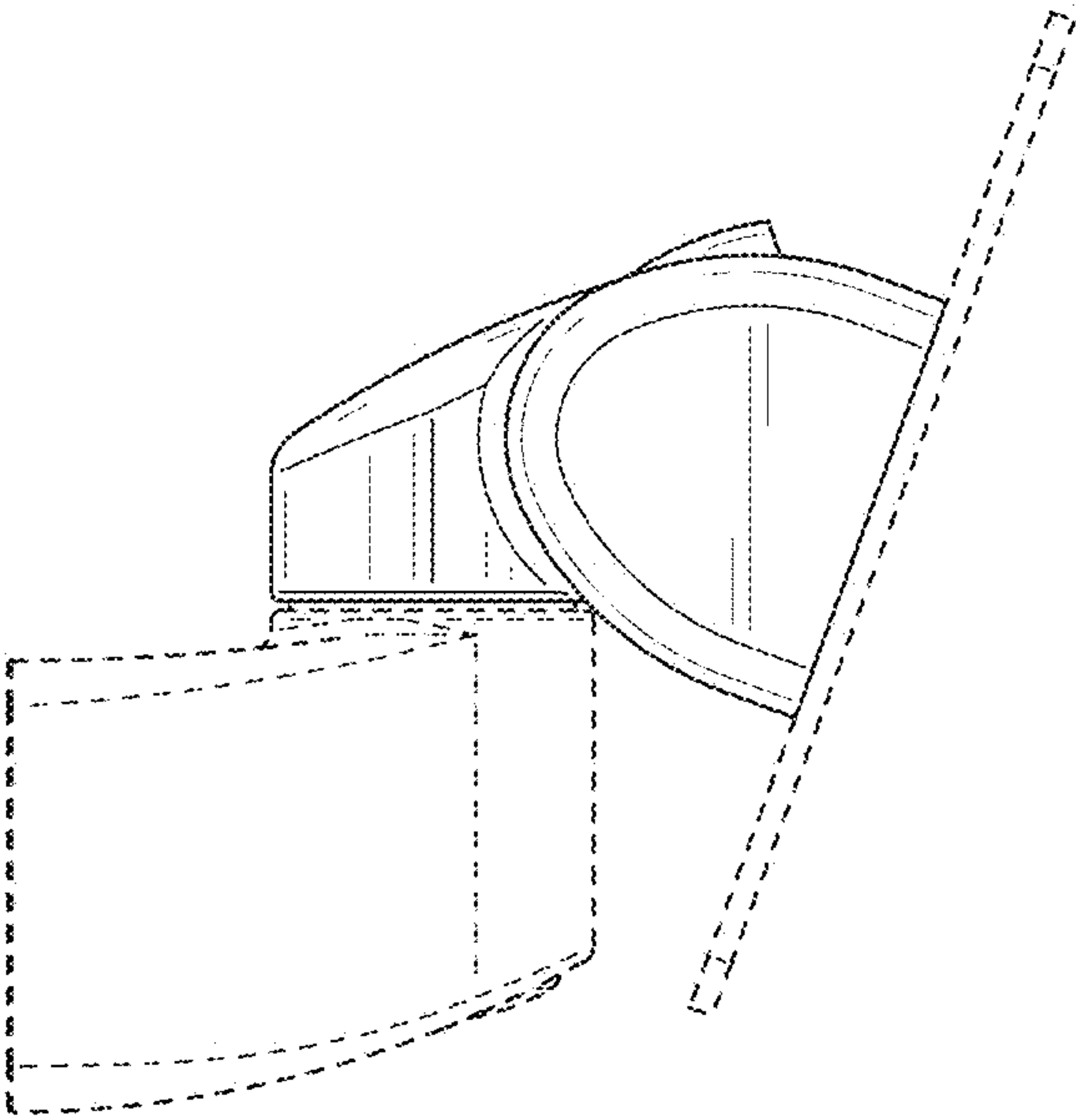


FIG. 13

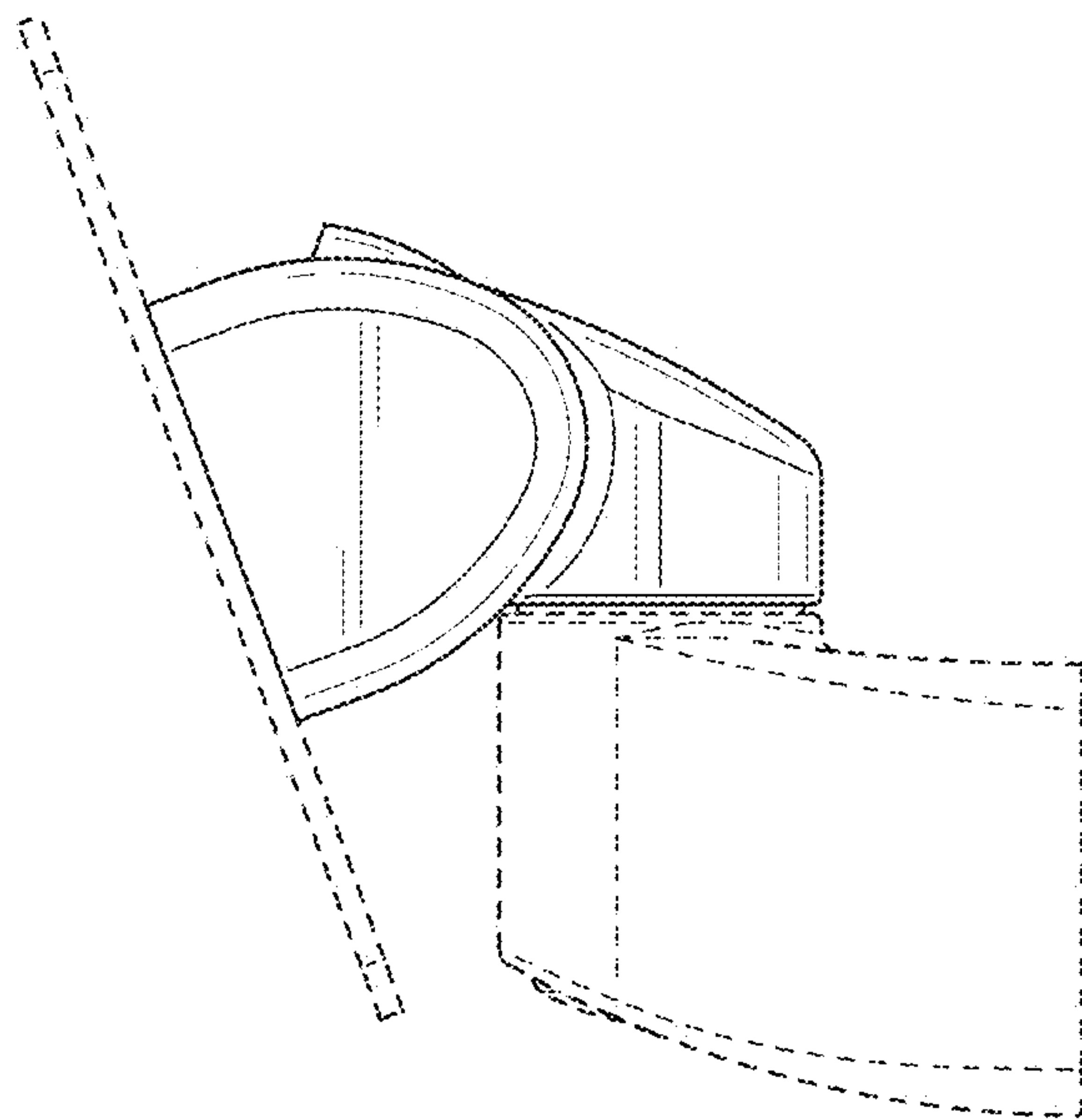


FIG. 14

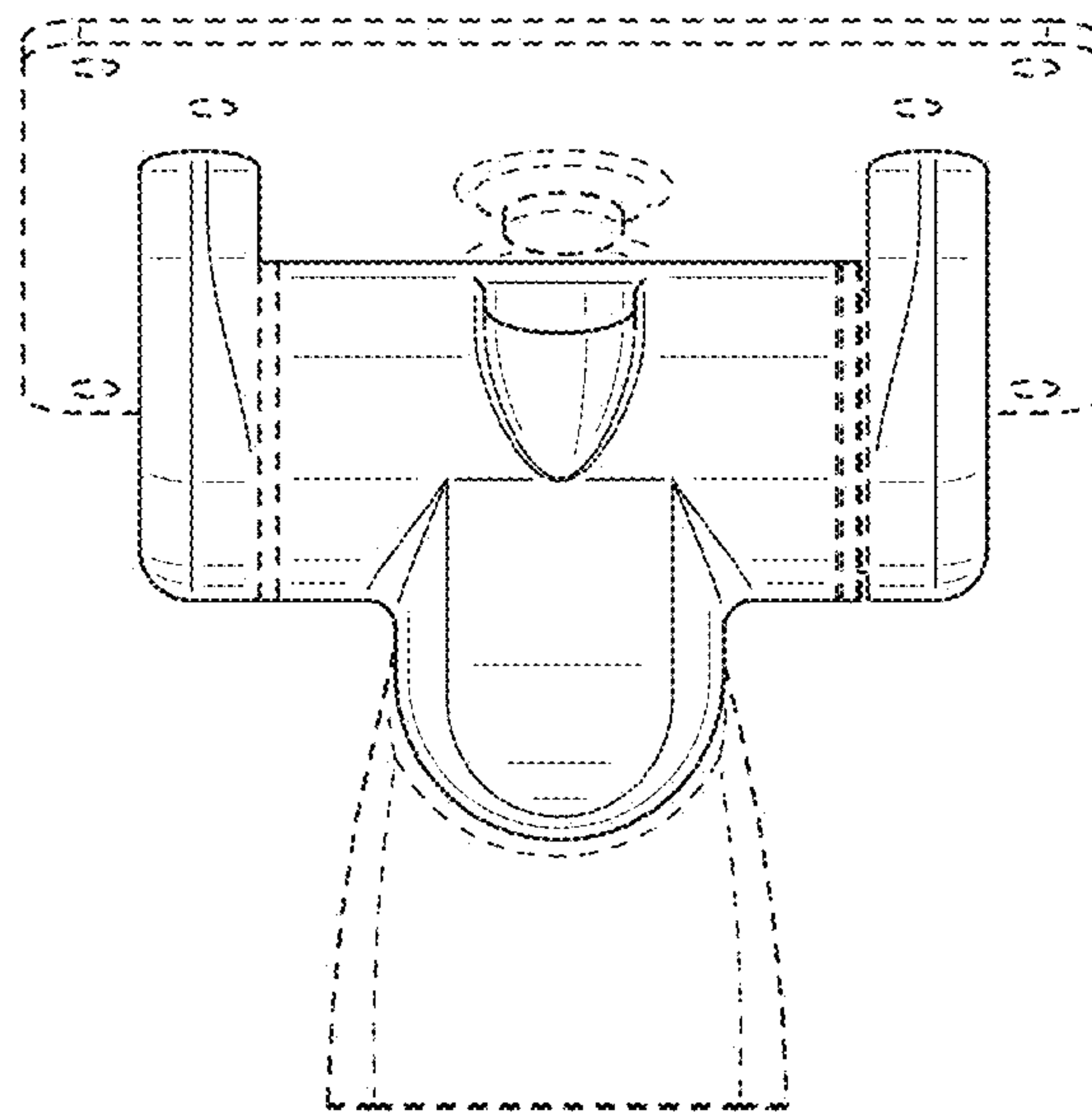


FIG. 15

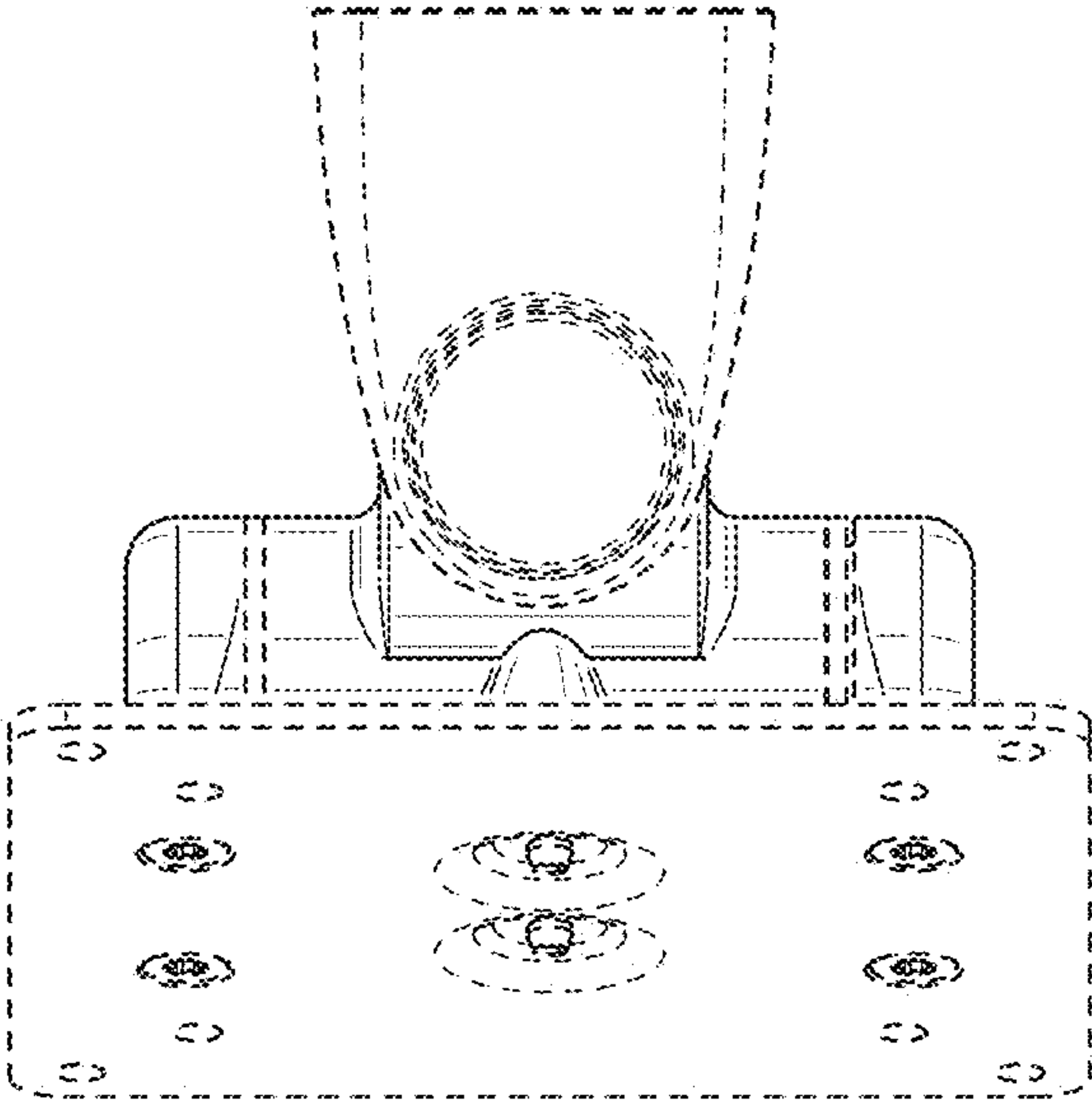


FIG. 16

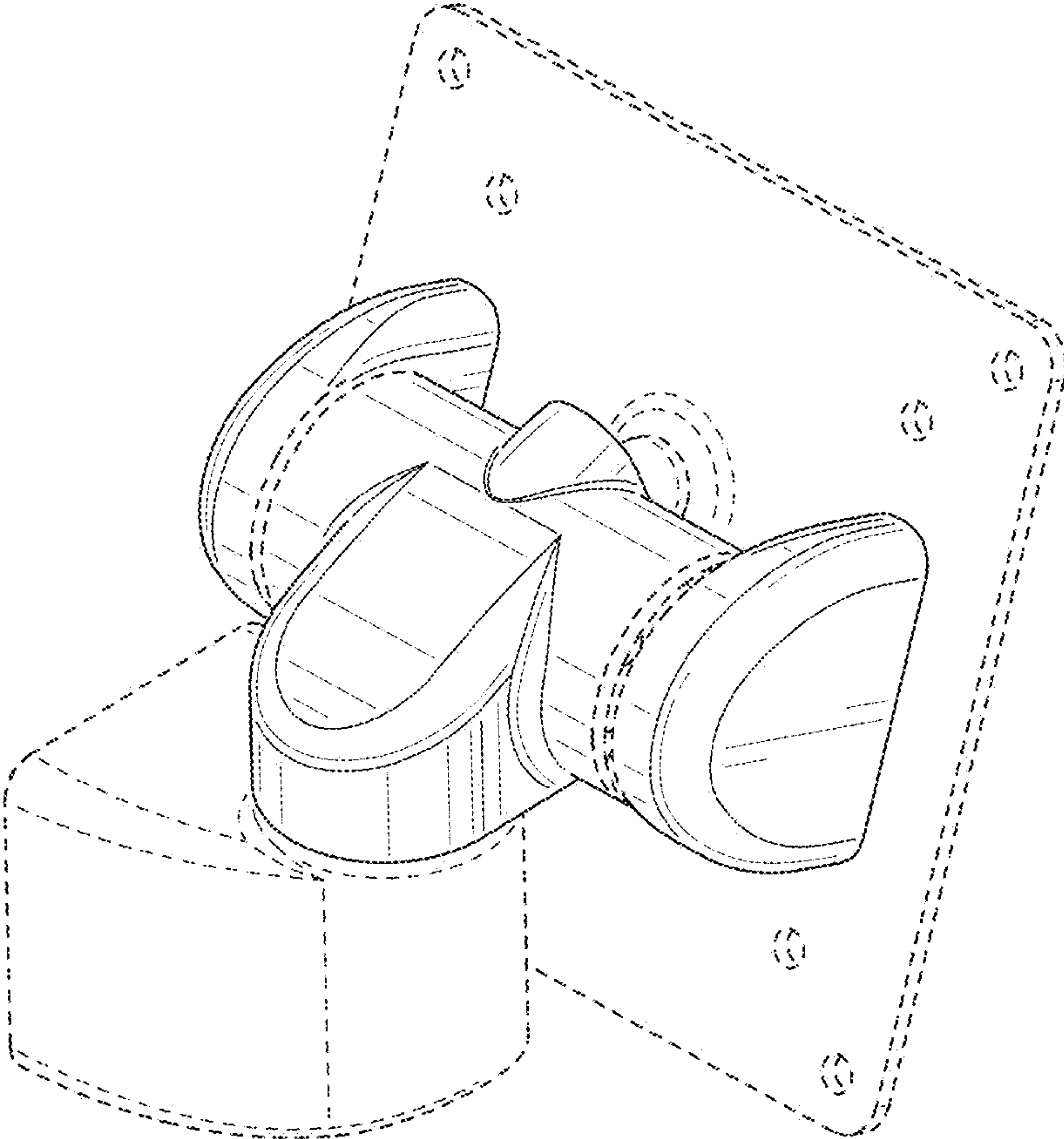


FIG. 17

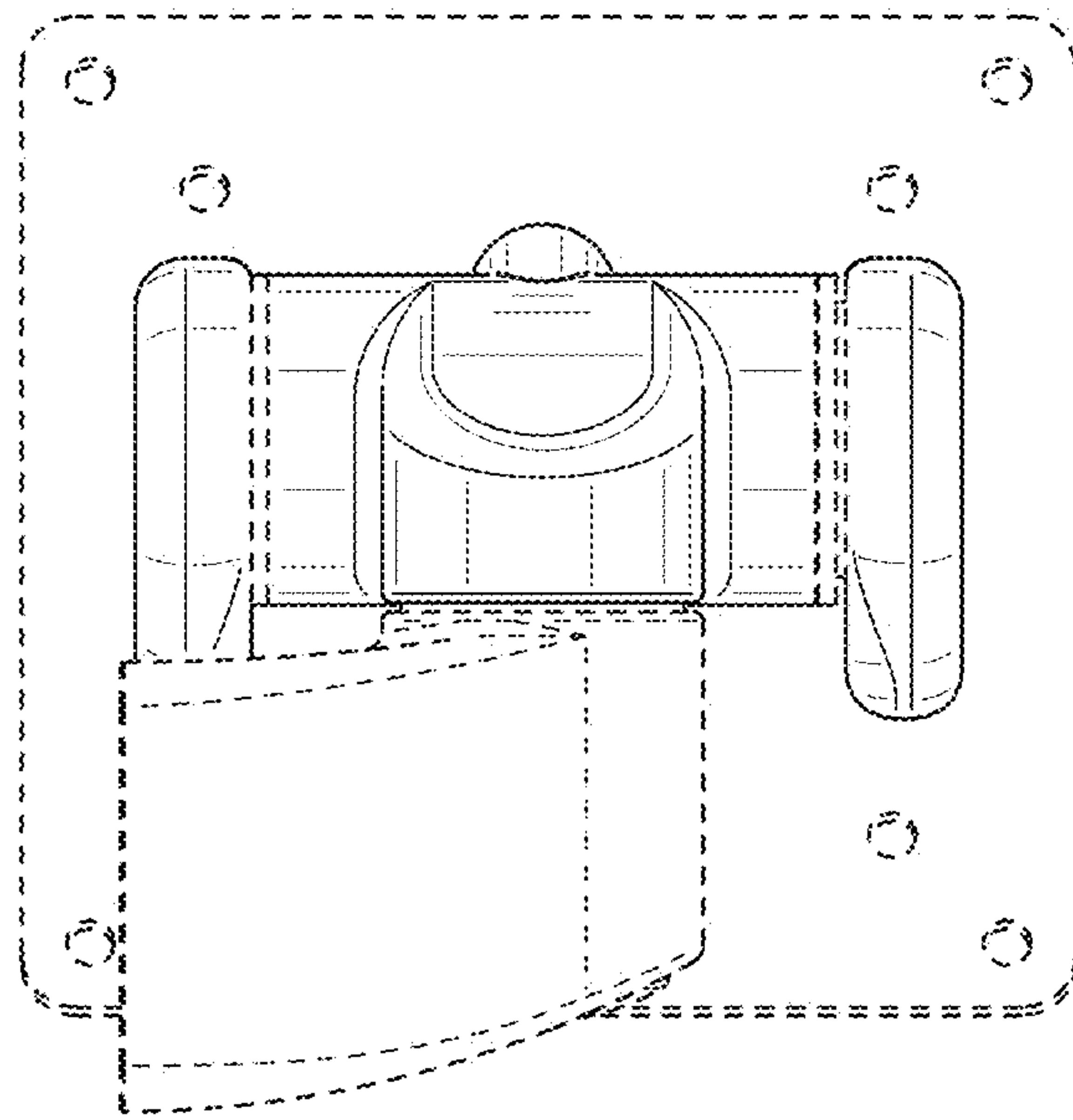


FIG. 18

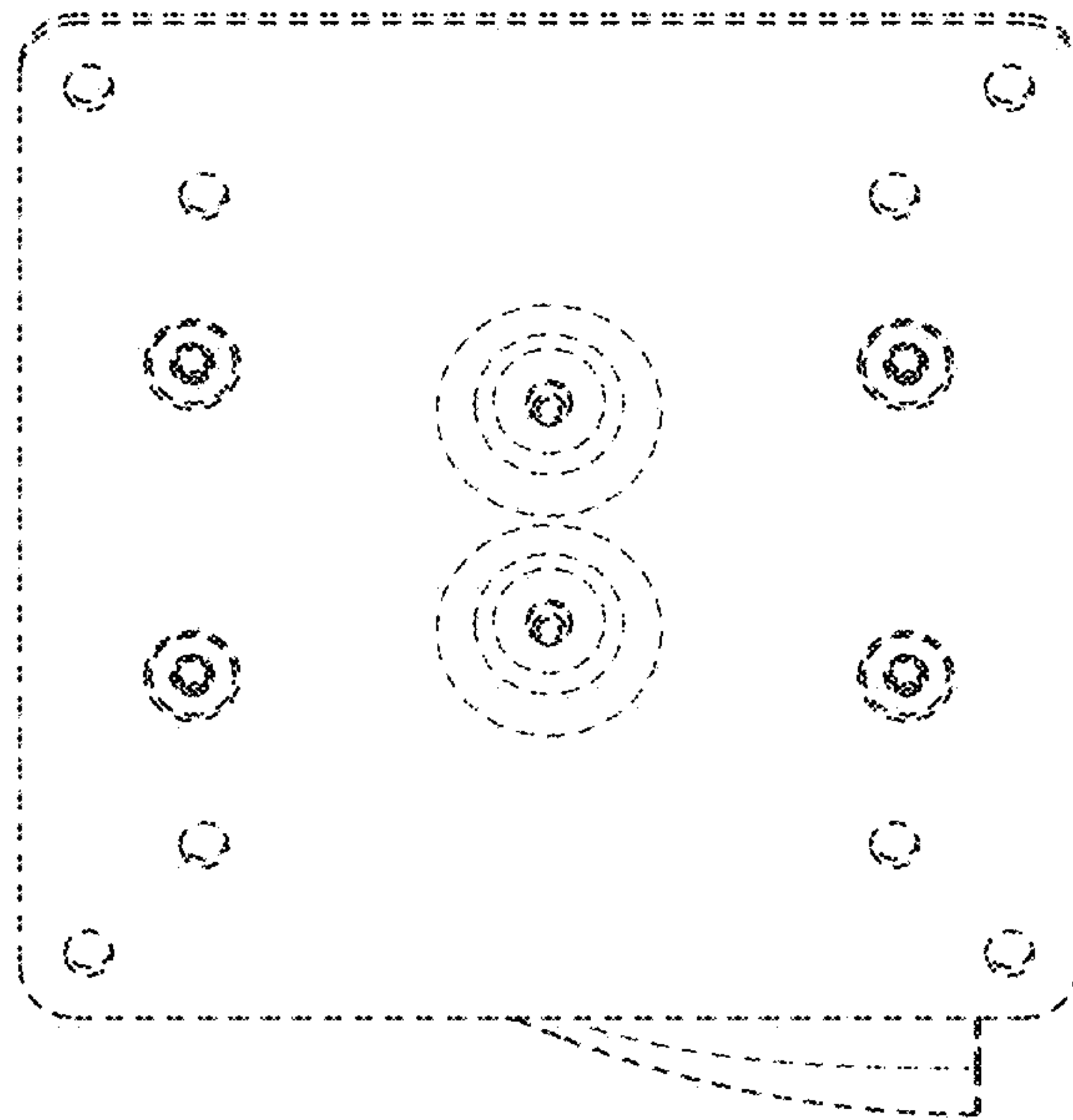


FIG. 19

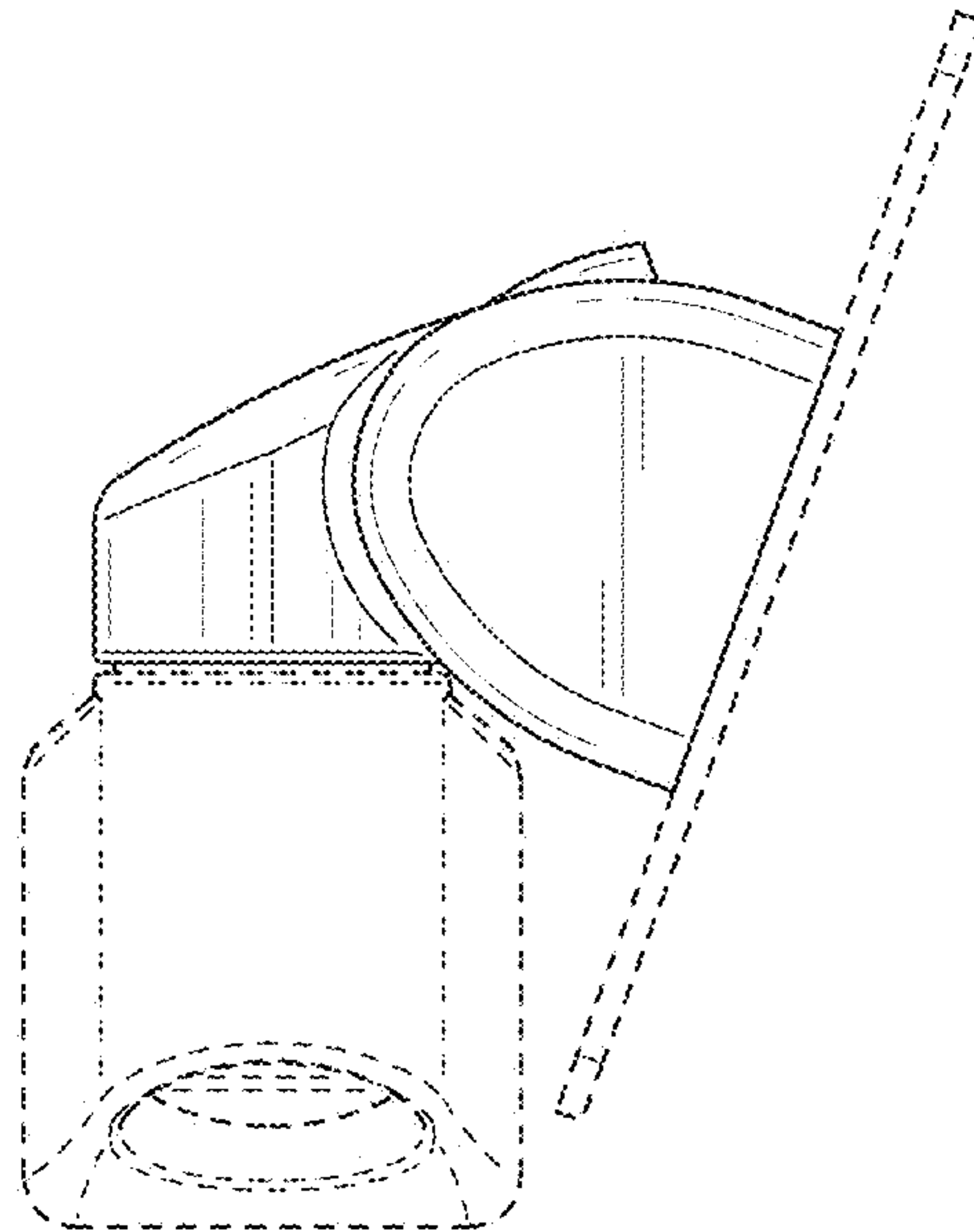


FIG. 20

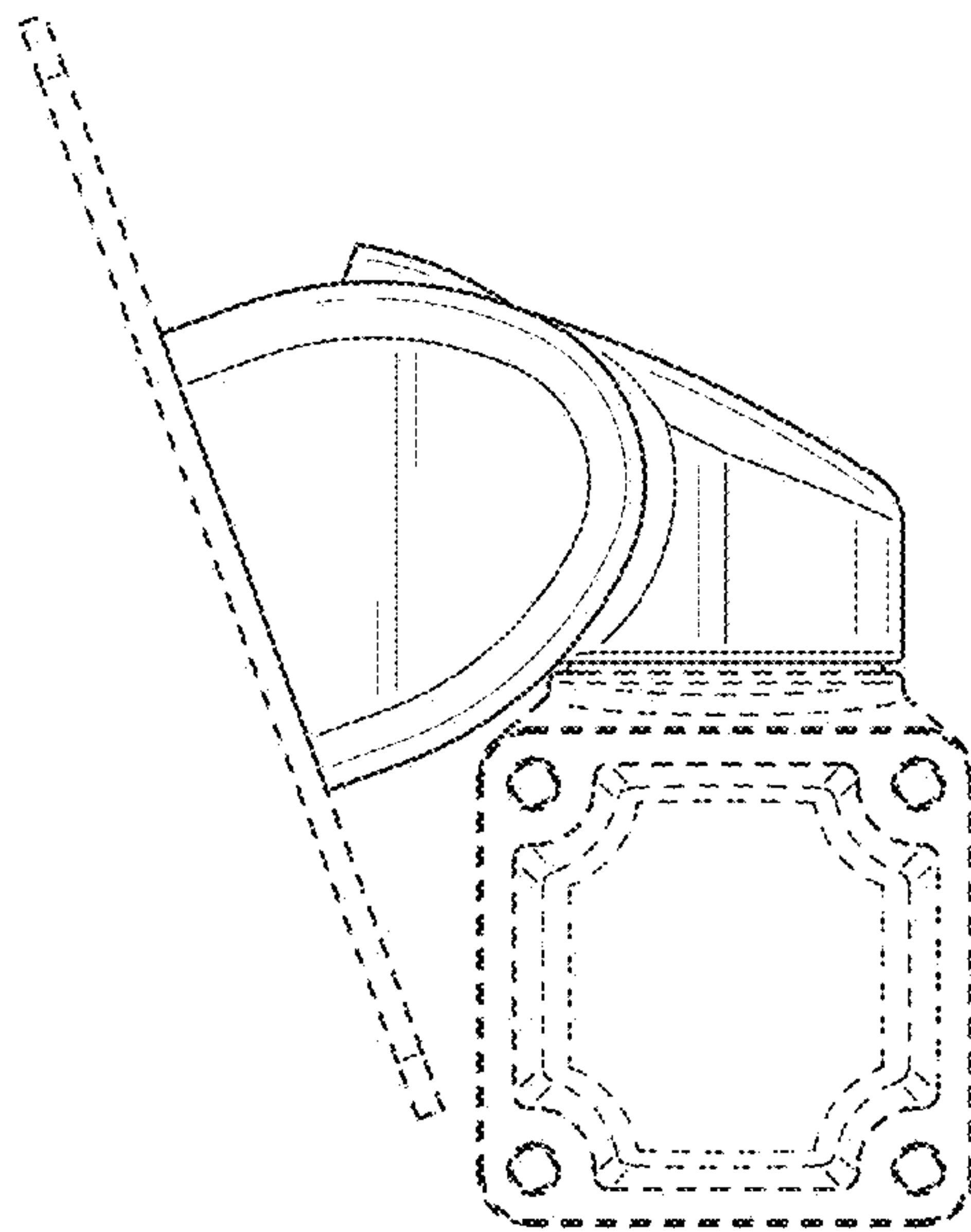


FIG. 21

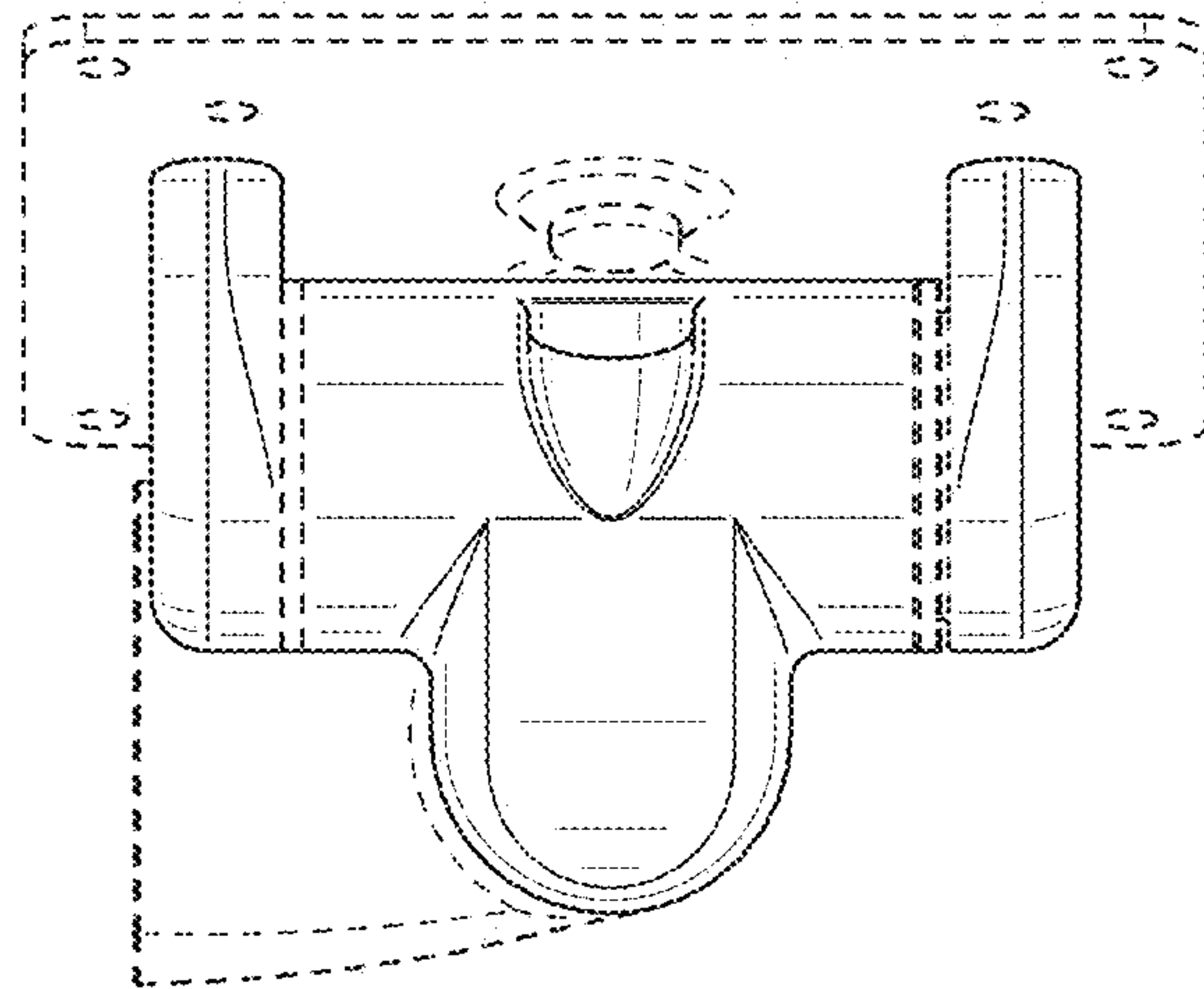


FIG. 22

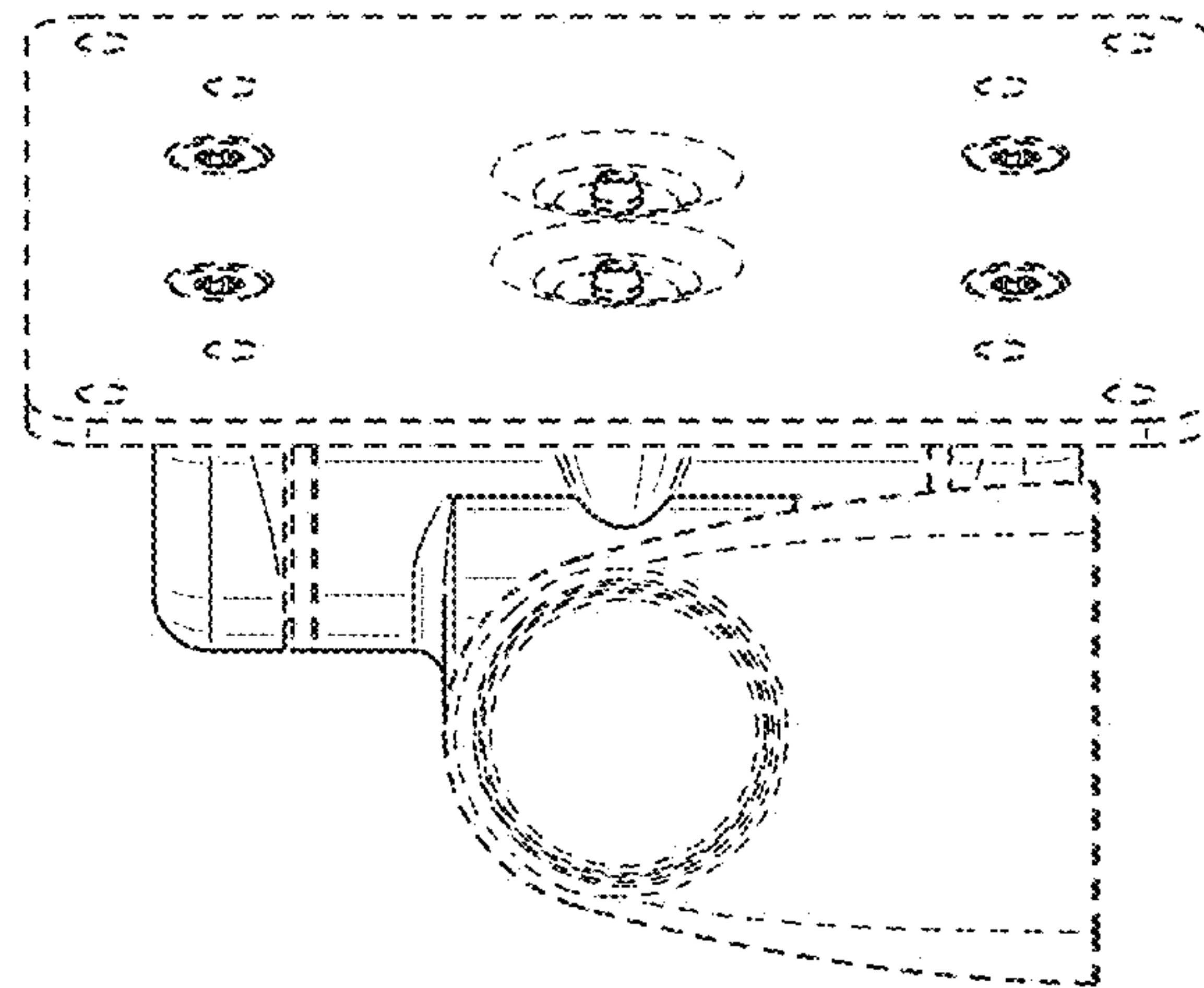


FIG. 23