



US00D729811S

(12) **United States Design Patent**
Alis

(10) **Patent No.:** **US D729,811 S**

(45) **Date of Patent:** **** May 19, 2015**

(54) **ELECTRONIC TABLET CASE**

(71) Applicant: **Josh Alis**, Fort Worth, TX (US)

(72) Inventor: **Josh Alis**, Fort Worth, TX (US)

(**) Term: **14 Years**

(21) Appl. No.: **29/472,031**

(22) Filed: **Nov. 7, 2013**

(51) **LOC (10) Cl.** **14-02**

(52) **U.S. Cl.**
USPC **D14/440**

(58) **Field of Classification Search**

CPC ... G06F 1/1626; G06F 1/1633; G06F 1/1675;
G06F 1/1679; G02F 1/1306; G02F 1/133;
G02F 1/133308; G02F 1/153; G02F 1/1533;
H04M 1/185; H04M 1/0252; H04B 1/3888
USPC D14/250, 251, 253, 341, 318, 240, 217,
D14/496, 440, 203.3, 203.4, 203.5, 203.8;
455/575.1, 575.8; 312/240; D3/218,
D3/215, 201, 294, 289, 900; 220/4.02;
248/309.1; 361/679.56; 379/426,
379/433.11, 455; 190/100; D21/469
See application file for complete search history.

(56) **References Cited**

U.S. PATENT DOCUMENTS

D626,528 S * 11/2010 Park et al. D14/138 AB
D630,179 S * 1/2011 Park et al. D14/138 AA
D669,457 S * 10/2012 Li D14/248
D696,257 S * 12/2013 Ward et al. D14/440
D704,685 S * 5/2014 Yeh et al. D14/248

D706,256 S * 6/2014 Ward et al. D14/250
D718,294 S * 11/2014 Barfoot et al. D14/250
D719,145 S * 12/2014 Barfoot et al. D14/250
D720,736 S * 1/2015 Chen et al. D14/250
D720,737 S * 1/2015 Chen et al. D14/250
2003/0003956 A1* 1/2003 Maenpaa et al. 455/556
2010/0089779 A1* 4/2010 Bowers 206/320

* cited by examiner

Primary Examiner — Cynthia Underwood

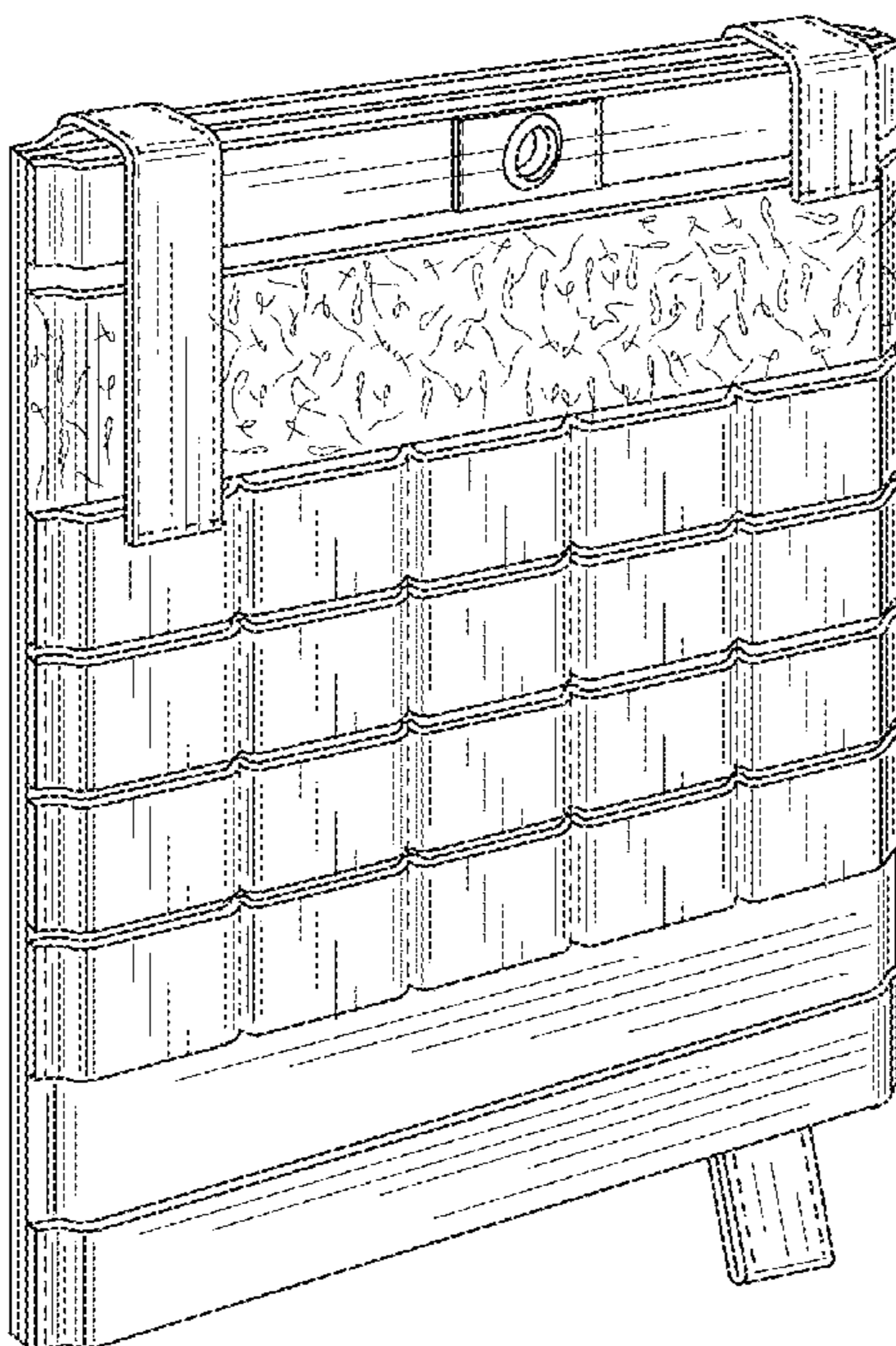
(57) **CLAIM**

The ornamental design for an electronic tablet case, as shown and described.

DESCRIPTION

FIG. 1 is a front view in perspective of the electronic tablet case;
FIG. 2 is a rear view in perspective thereof;
FIG. 3 is a front view thereof;
FIG. 4 is a rear view thereof;
FIG. 5 is a right side view thereof, showing the hooks in alternate positions of use;
FIG. 6 is a left side view thereof, showing the hooks in alternate positions of use;
FIG. 7 is a top view thereof;
FIG. 8 is a bottom view thereof;
FIG. 9 is a front view in perspective illustrating an electronic tablet secured to the exterior to the electronic tablet case; and,
FIG. 10 is a front view in perspective illustrating an electronic tablet secured to the interior to the electronic tablet case.
The broken lines on the surface of the item represent stitching and represent part of the claim. The broken lines forming the electronic tablet form no part of the claim.

1 Claim, 8 Drawing Sheets



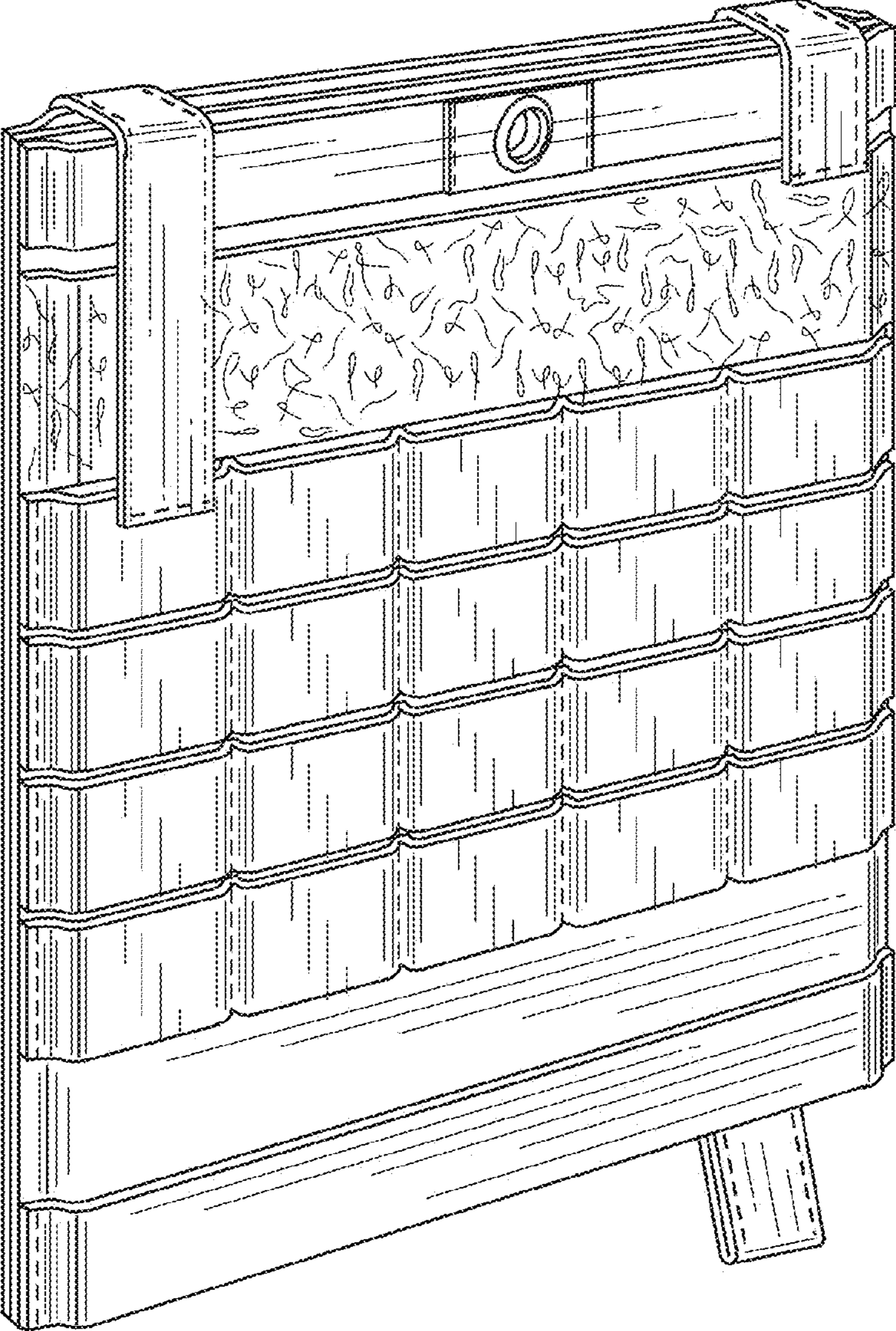


Fig. 1

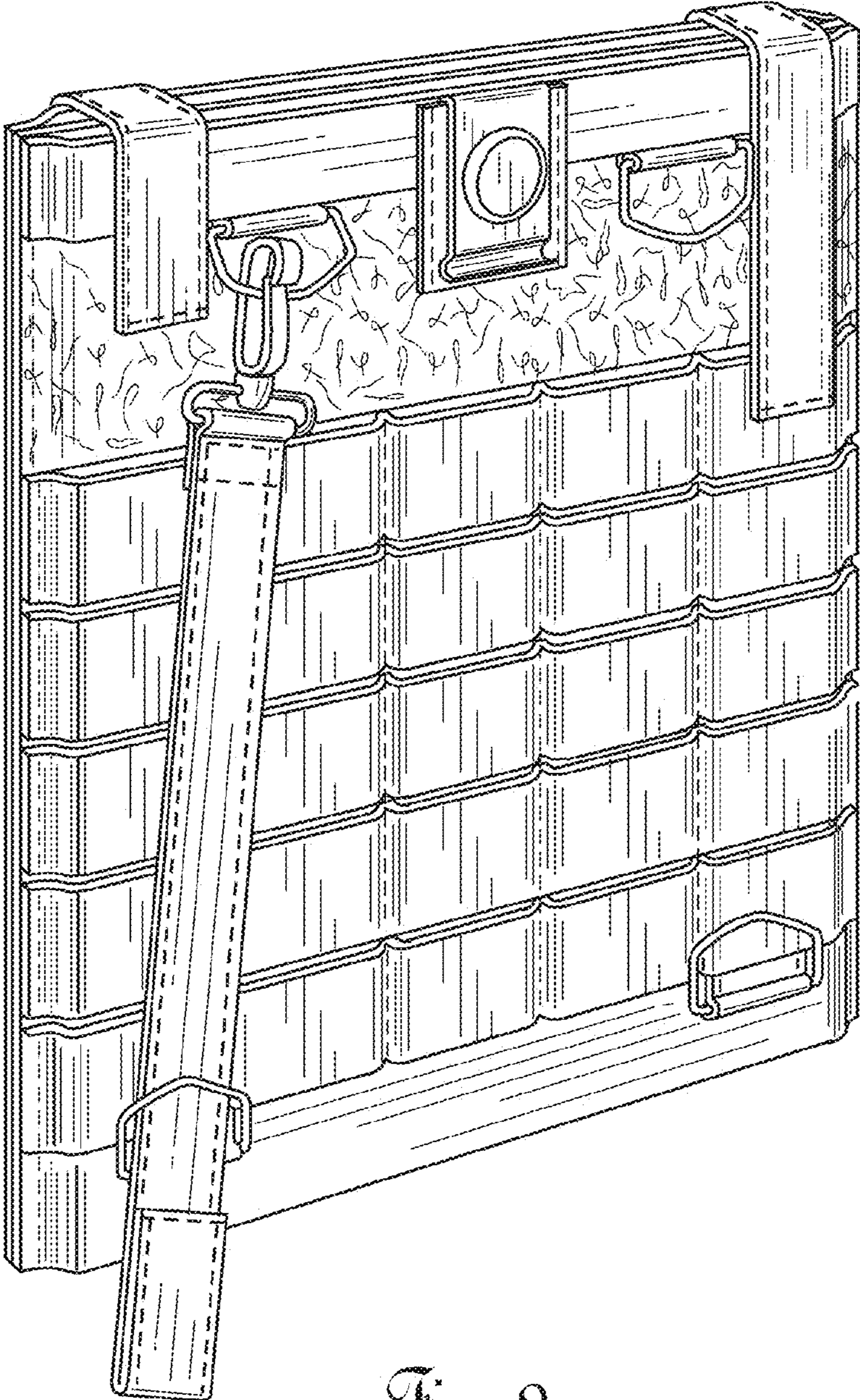


Fig. 2

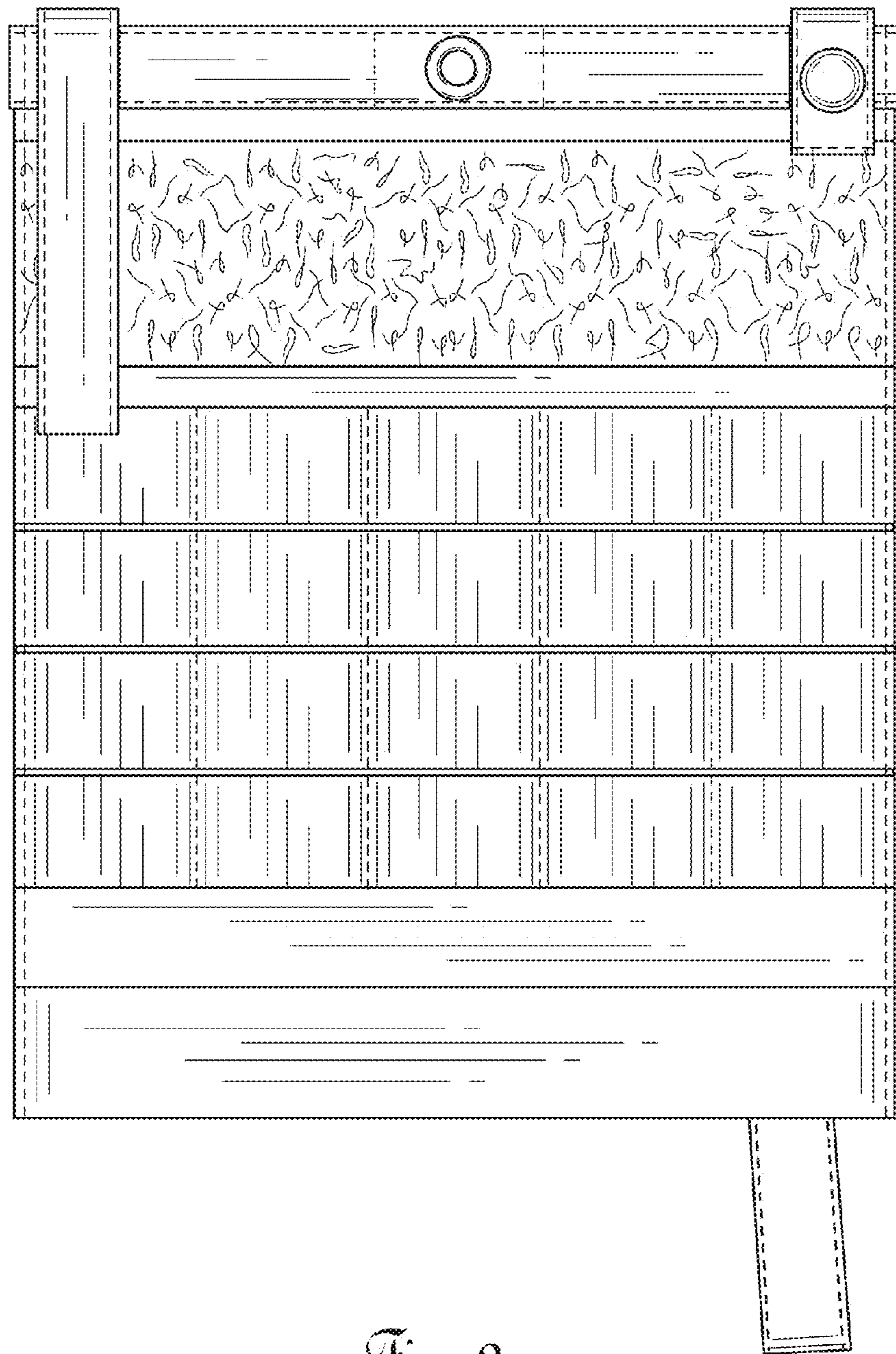


Fig. 3

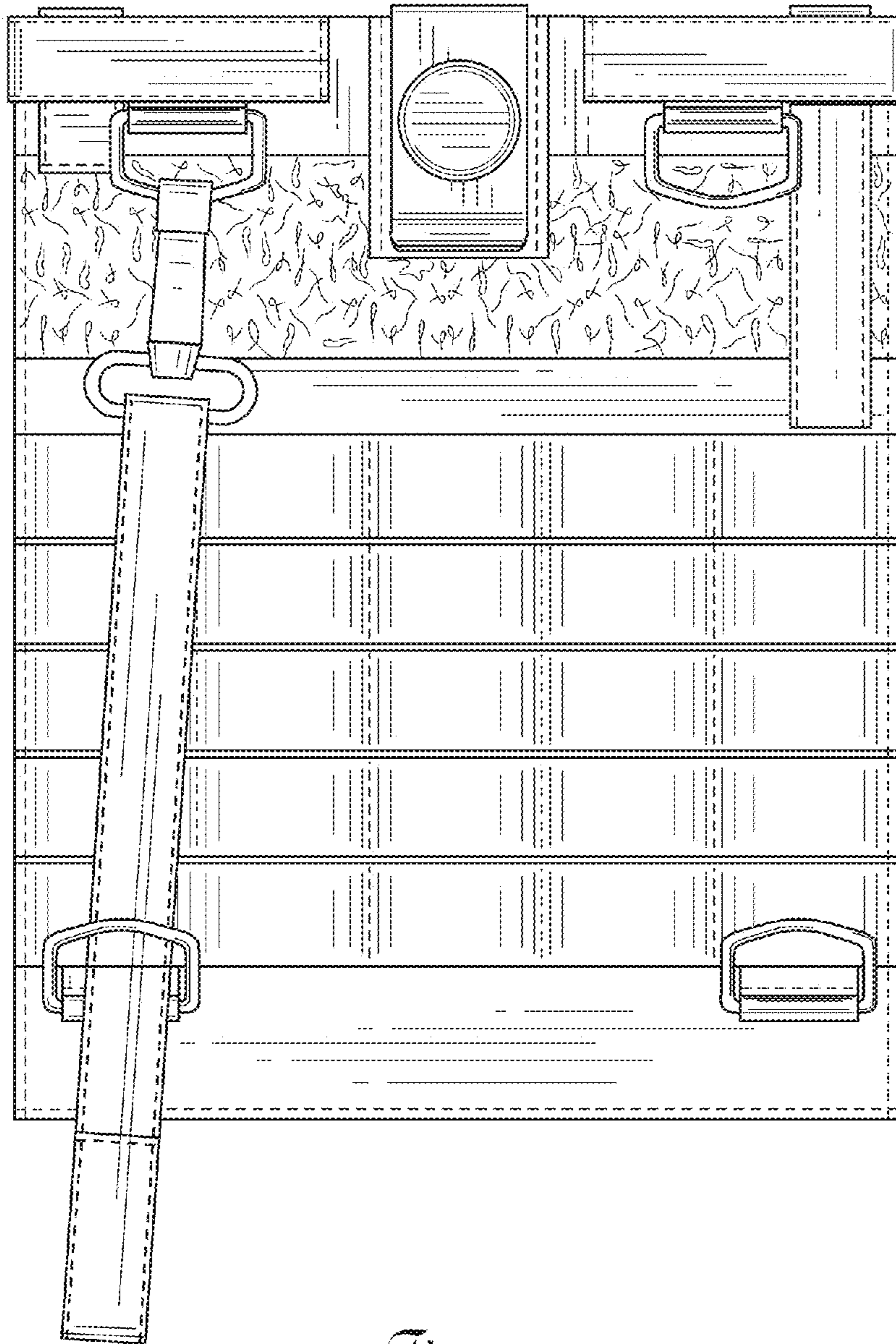


Fig. 4

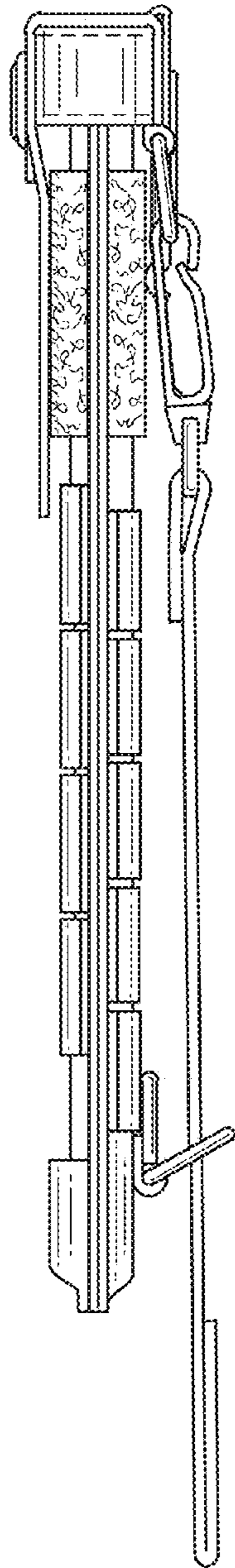


Fig. 5

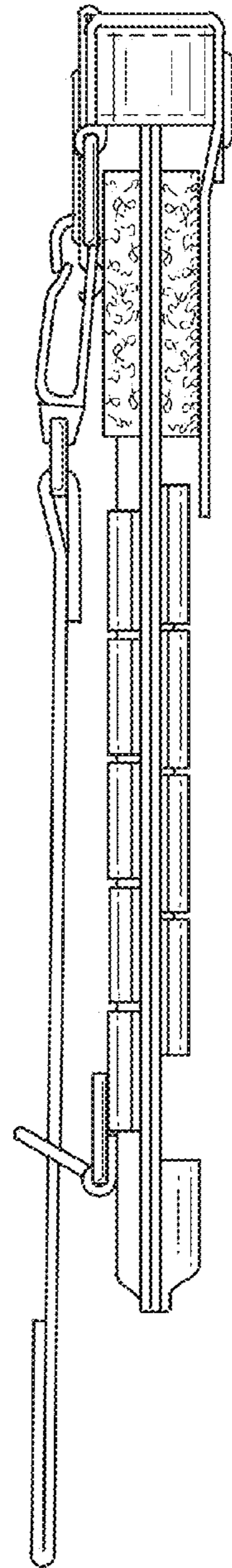


Fig. 6

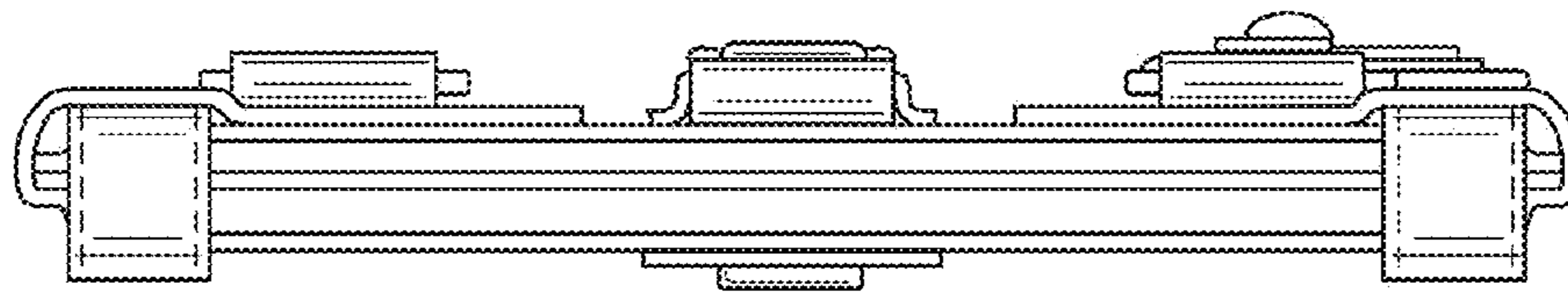


Fig. 7

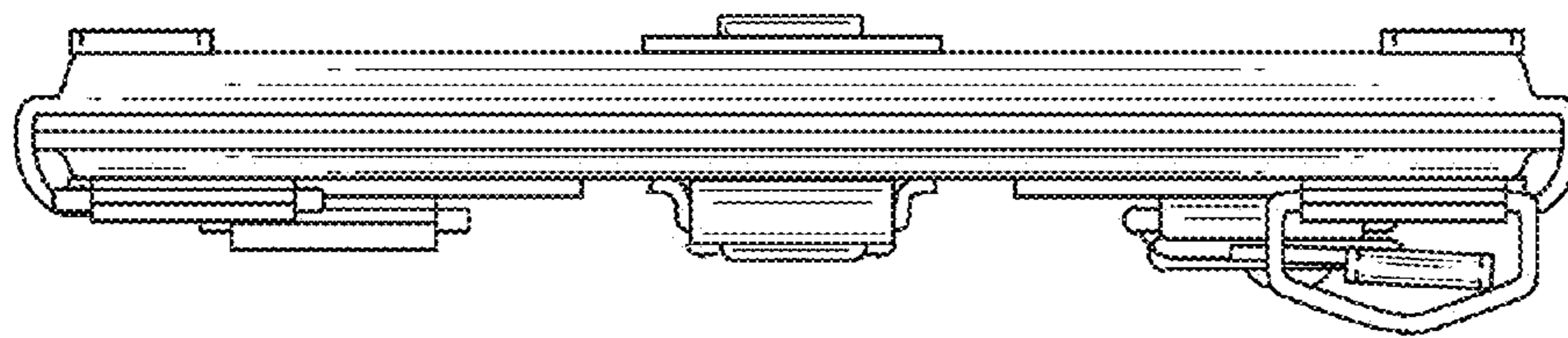


Fig. 8

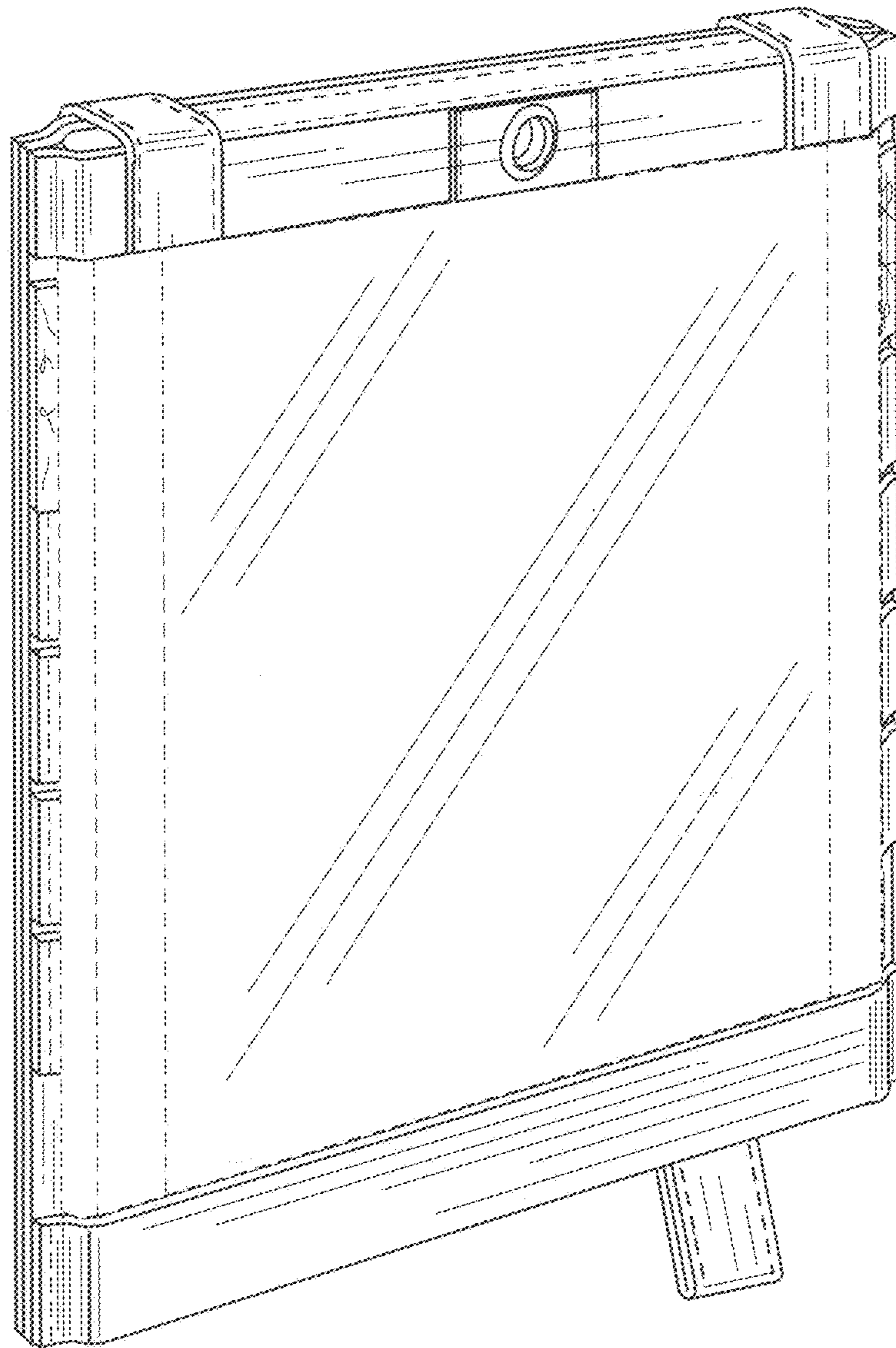


Fig. 9



Fig. 10