



US00D729810S

(12) **United States Design Patent**  
**Klüsener**

(10) **Patent No.:** **US D729,810 S**

(45) **Date of Patent:** **\*\* May 19, 2015**

(54) **TABLET COMPUTER CASE**

(71) Applicant: **Martin Klüsener**, Cologne (DE)

(72) Inventor: **Martin Klüsener**, Cologne (DE)

(\*\*) Term: **14 Years**

(21) Appl. No.: **29/453,408**

(22) Filed: **Apr. 29, 2013**

(51) **LOC (10) Cl.** ..... **14-02**

(52) **U.S. Cl.**  
USPC ..... **D14/440**

(58) **Field of Classification Search**

CPC ... G06F 1/1601; G06F 1/1626; G06F 1/1633;  
G06F 1/1675; G06F 1/1679; G02F 1/1306;  
G02F 1/133; G02F 1/133308; G02F 1/153;  
G02F 1/1533; G02F 2001/133317; H04M  
1/185; H04M 1/0252; H04B 1/3888  
USPC ..... D14/250, 251, 253, 240, 217, 496, 440,  
D14/203.3, 203.4, 203.5, 203.8, 341, 318;  
D3/218, 215, 201, 294, 289, 900;  
220/4.02; 248/309.1; 361/679.56;  
379/426, 433.11, 455; 455/575.1,  
455/575.8, 457.1; 190/100; 206/305, 320,  
206/45.2; D21/469; 312/240

See application file for complete search history.

(56) **References Cited**

**U.S. PATENT DOCUMENTS**

D118,197 S \* 12/1939 Trussell ..... D19/26  
D323,348 S \* 1/1992 Tooker ..... D19/26  
D449,166 S \* 10/2001 Shapiro ..... D3/303  
D600,699 S \* 9/2009 Johnston et al. .... D14/440

D649,185 S \* 11/2011 Bakrania ..... D19/26  
D678,293 S \* 3/2013 Meehan ..... D14/440  
D678,884 S \* 3/2013 Phillips et al. .... D14/440  
D684,978 S \* 6/2013 Phillips et al. .... D14/440  
D688,250 S \* 8/2013 Phillips et al. .... D14/440  
2010/0300909 A1\* 12/2010 Hung ..... 206/320

\* cited by examiner

*Primary Examiner* — Cynthia Underwood

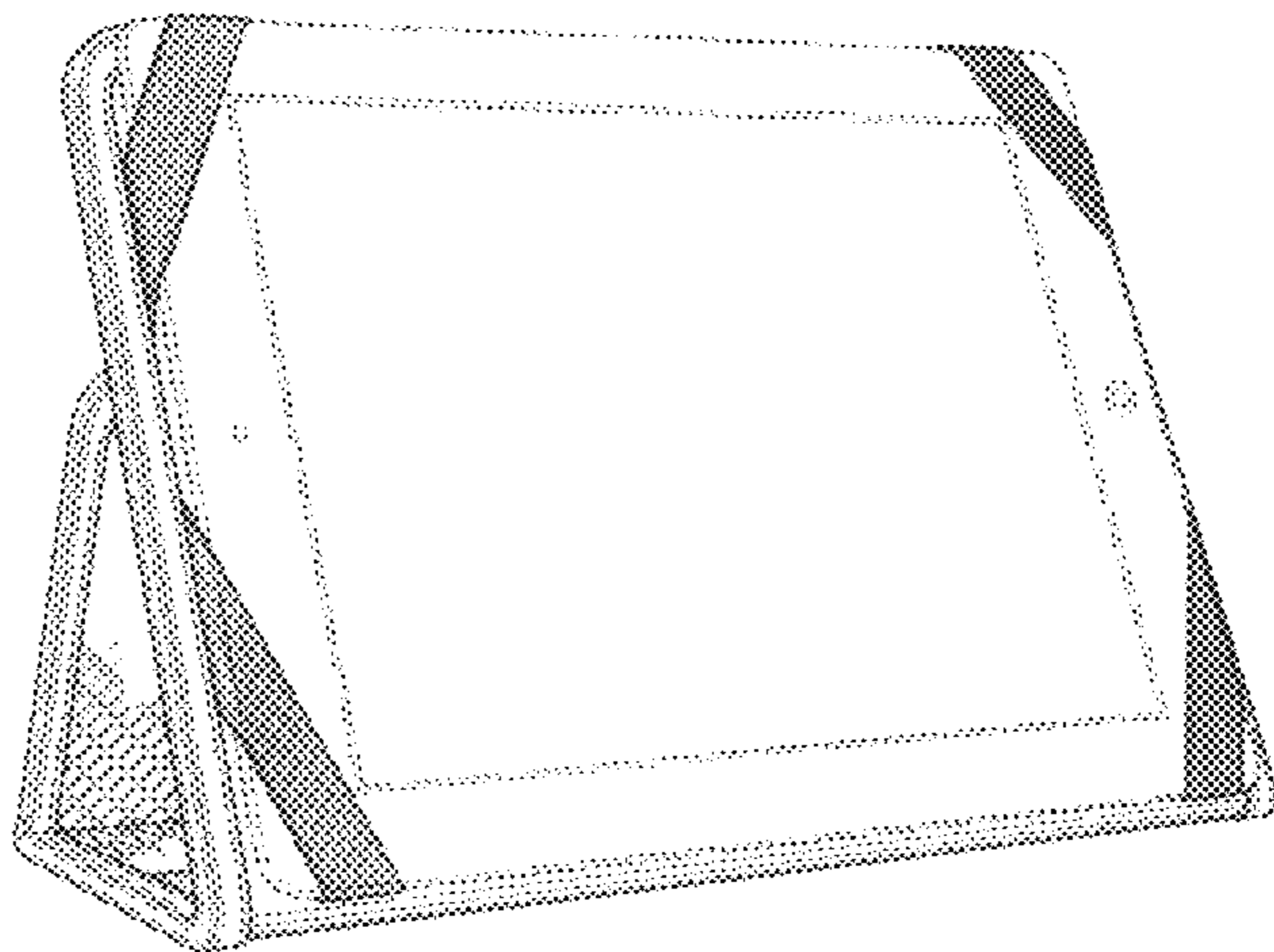
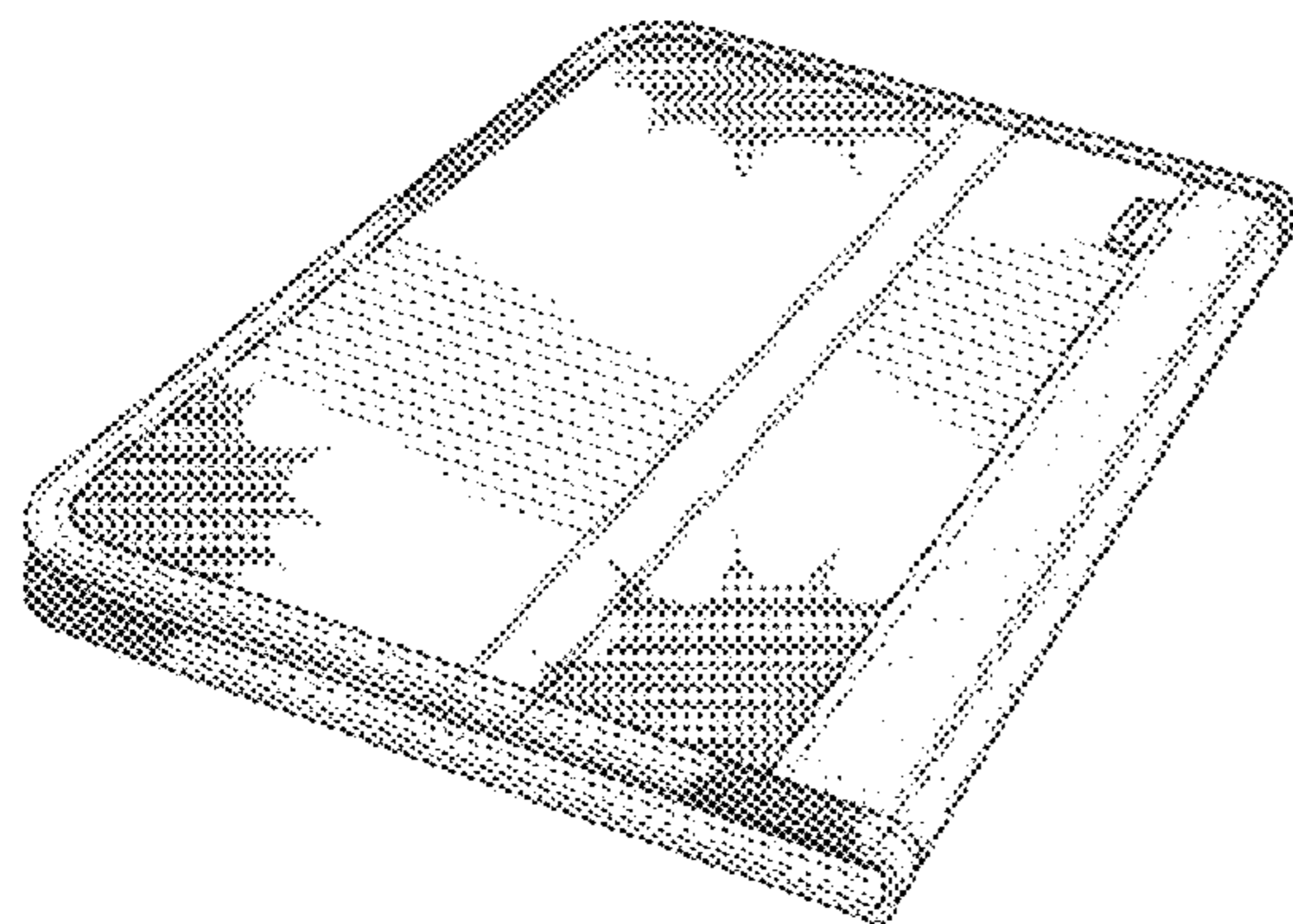
(57) **CLAIM**

The ornamental design for a tablet computer case, as shown and described.

**DESCRIPTION**

FIG. 1 is a front perspective view of a tablet case showing my new design in a closed position;  
FIG. 2 is a front perspective view thereof in an open position the touch pad computer shown in broken lines is not part of the claimed design;  
FIG. 3 is a front elevational view thereof in an open position;  
FIG. 4 is a back side elevational view thereof in an open position;  
FIG. 5 is a top plan view thereof;  
FIG. 6 is a bottom plan view thereof;  
FIG. 7 is a left side elevational view;  
FIG. 8 is a right side elevational view; and,  
FIG. 9 is a front perspective view of the tablet computer case in a standing position; the touch pad computer shown in broken lines is not part of the claimed design.  
The cross hatch shading and pill-shaped detailing represent surface texture. The broken lines on the tablet computer case represent stitching and form part of the claim. The tablet computer shown in broken lines is included to show the environment of use and forms no part of the claim.

**1 Claim, 5 Drawing Sheets**



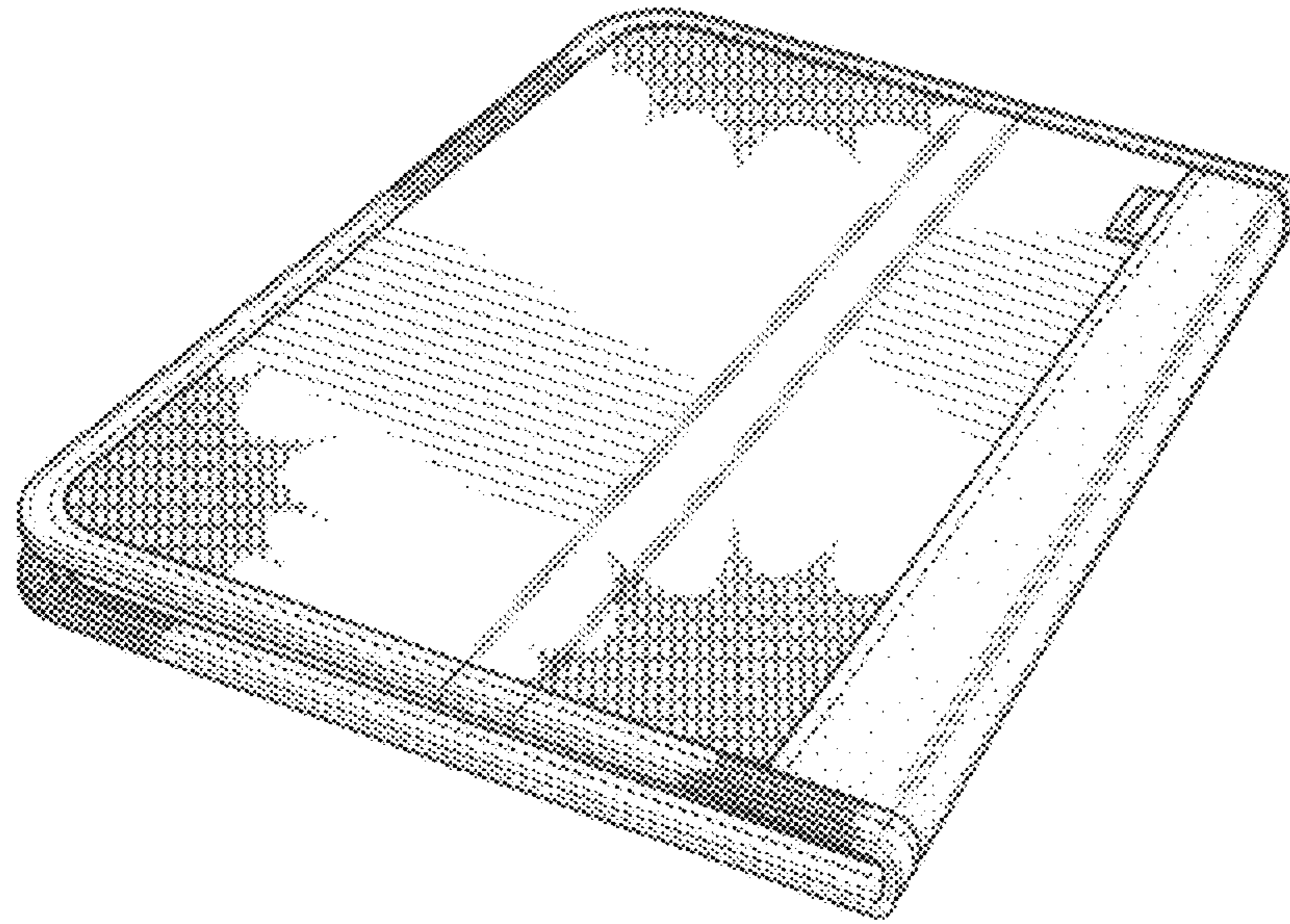


FIG. 1

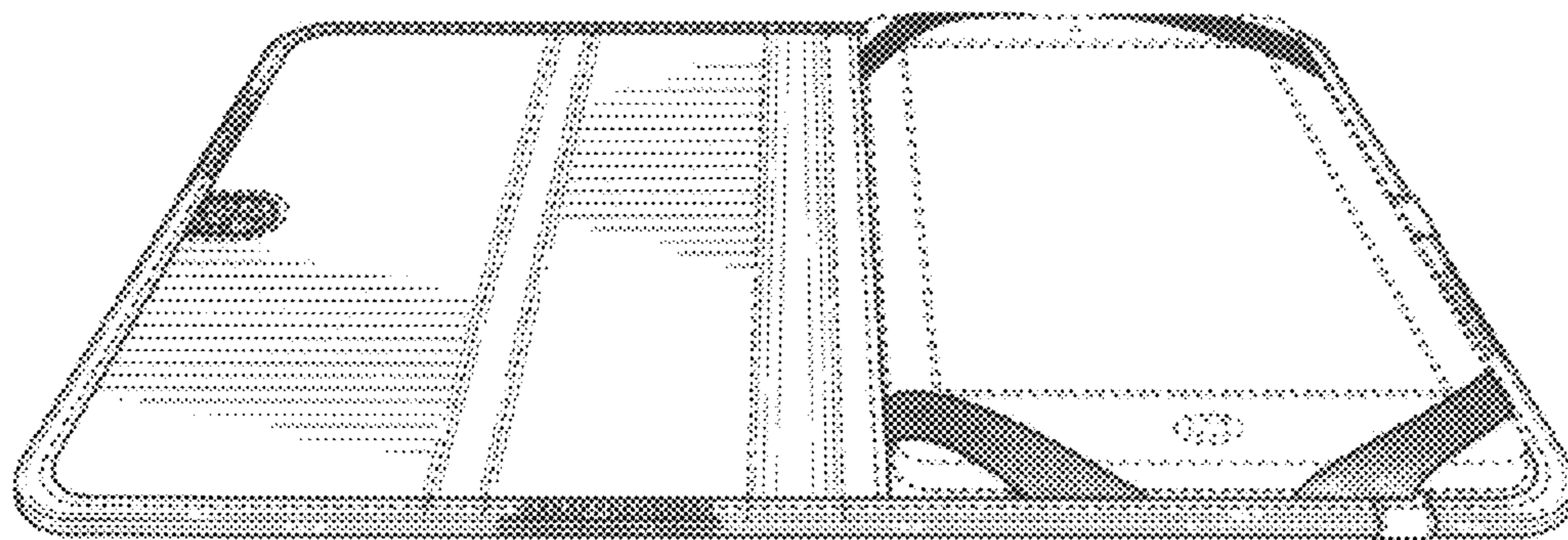


FIG. 2

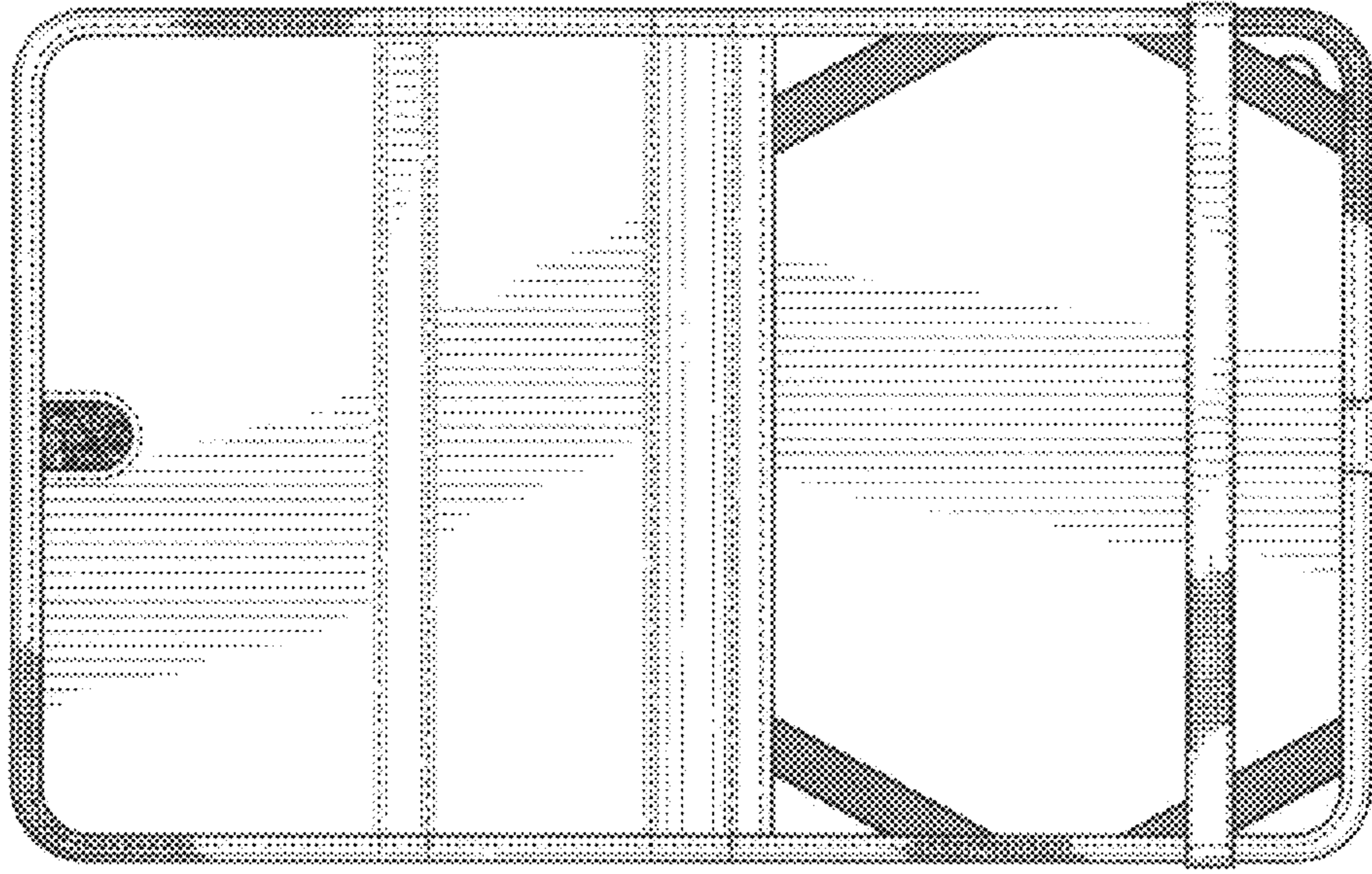


FIG. 3

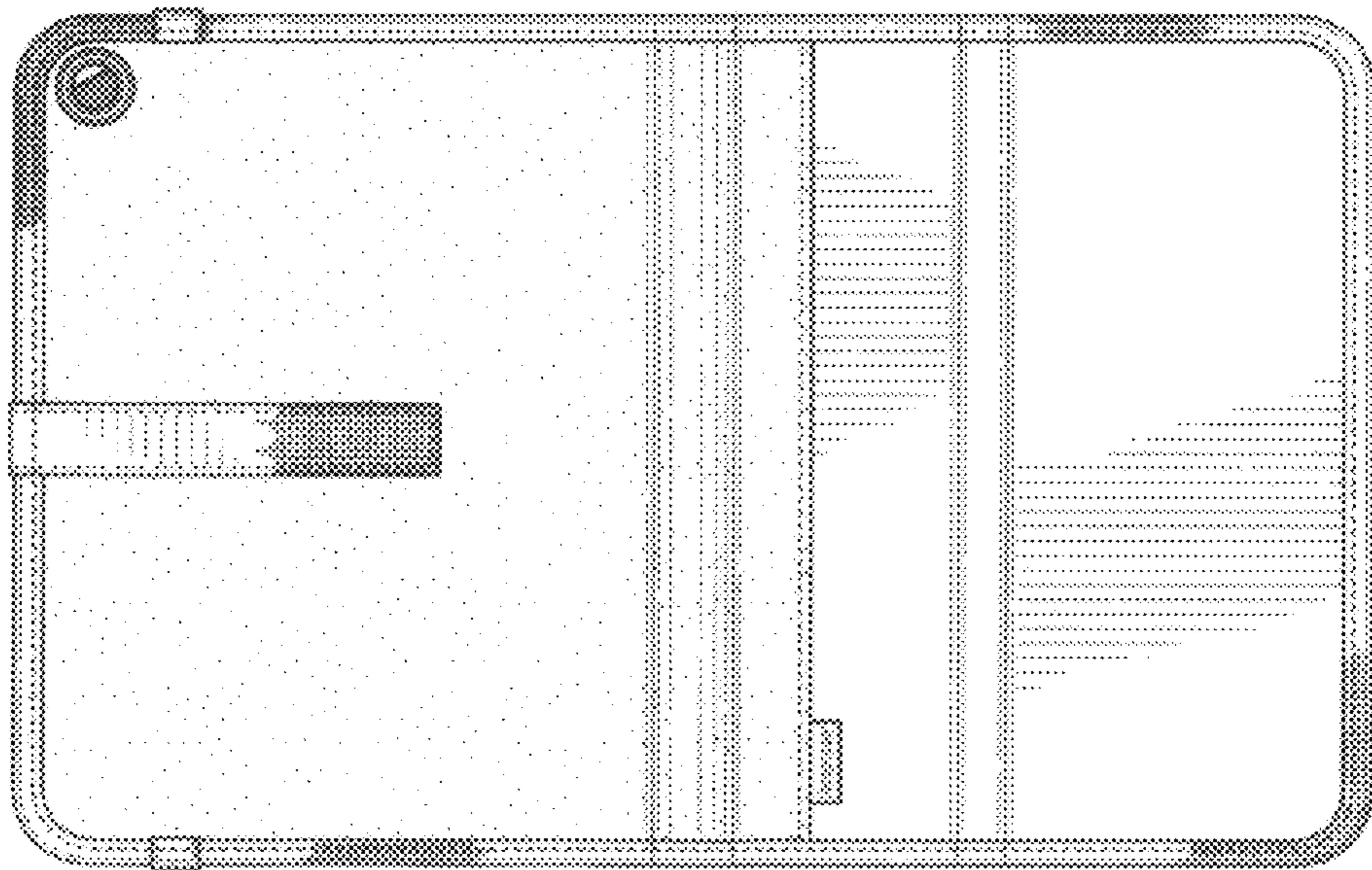


FIG. 4

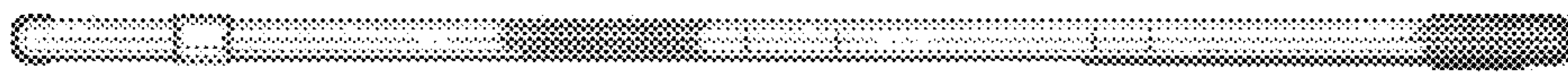


FIG. 5

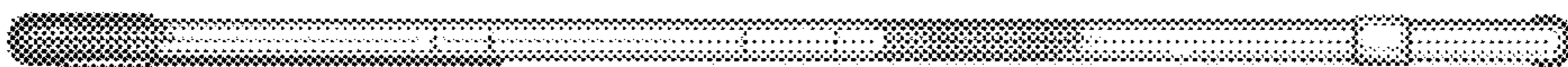


FIG. 6

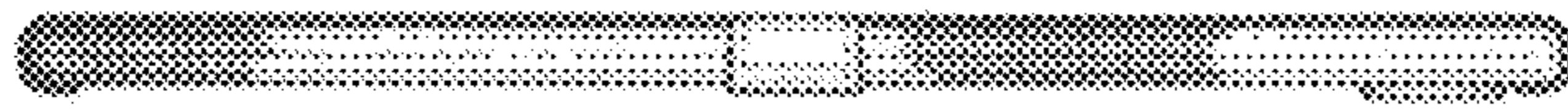


FIG. 7

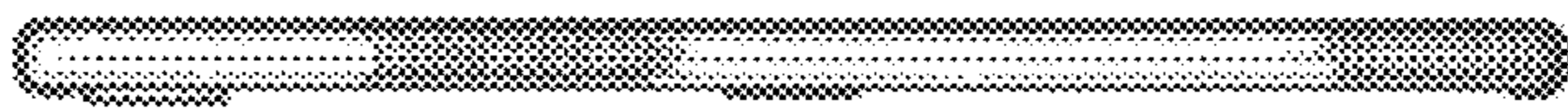


FIG. 8

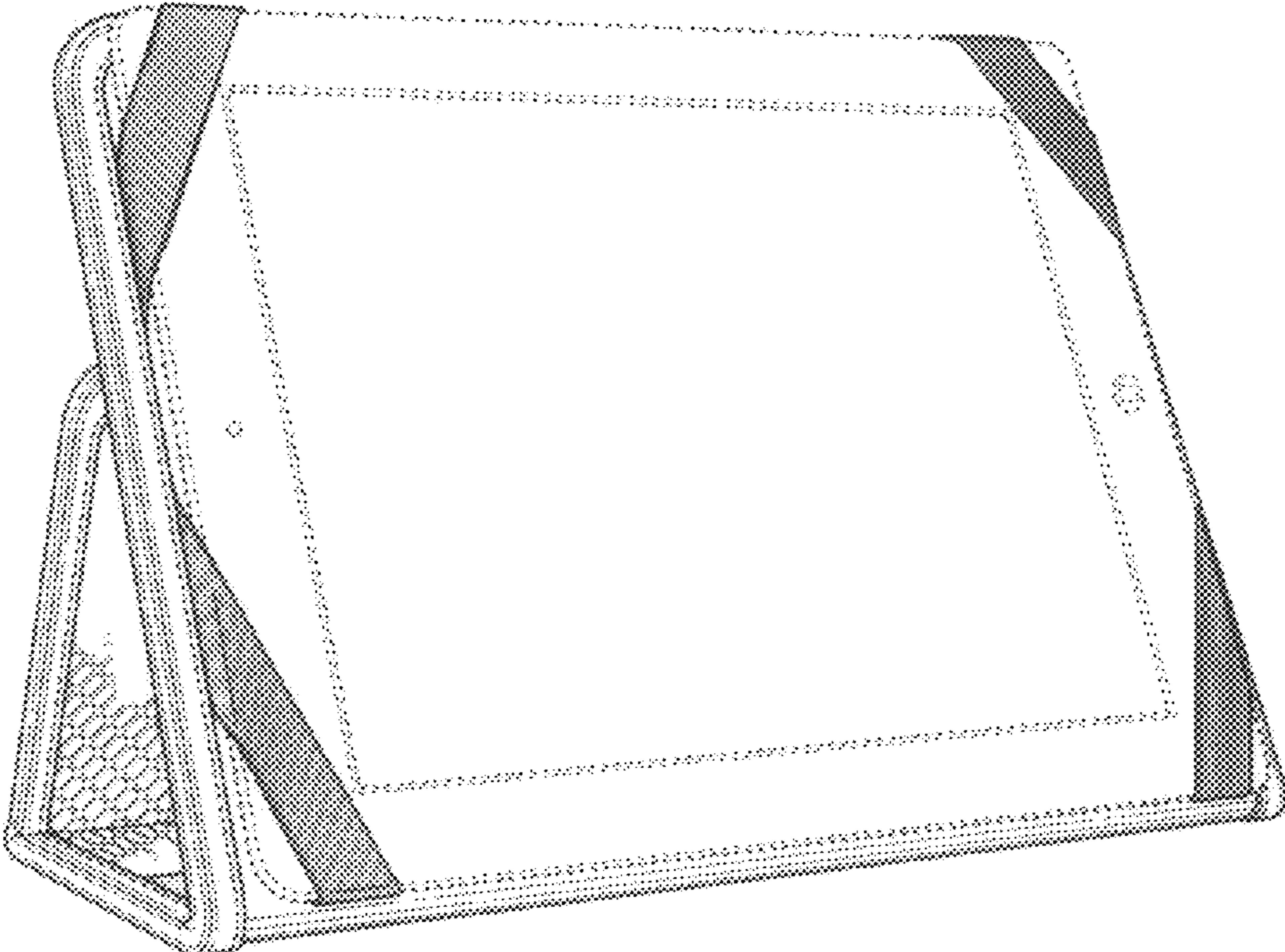


FIG. 9