



US00D729805S

(12) **United States Design Patent**
Bataillou et al.

(10) **Patent No.:** **US D729,805 S**
(45) **Date of Patent:** **** May 19, 2015**

(54) **BATTERY FOR AN ELECTRONIC DEVICE**

(56) **References Cited**

(71) Applicant: **Apple Inc.**, Cupertino, CA (US)

U.S. PATENT DOCUMENTS

(72) Inventors: **Jeremy Bataillou**, San Francisco, CA (US); **Sean Stewart Corbin**, San Jose, CA (US); **Daniel J. Coster**, San Francisco, CA (US); **Stephen McClure**, San Francisco, CA (US); **John Raff**, Menlo Park, CA (US); **Marcie Anne Sayoc**, San Francisco, CA (US)

D348,247 S	6/1994	Cooper	
D409,973 S	5/1999	Iwamoto et al.	
D422,263 S	4/2000	Waldner	
D479,193 S *	9/2003	Fujihara et al.	D13/103
D494,924 S	8/2004	Maruyama	
D532,363 S	11/2006	Morisawa	
D548,738 S *	8/2007	Doyle et al.	D14/432
D639,791 S *	6/2011	Corley et al.	D14/248
D677,620 S *	3/2013	Corbin et al.	D13/103
D678,184 S	3/2013	Banko et al.	
D678,188 S	3/2013	Sasada	
D684,529 S	6/2013	Moon et al.	
D694,240 S *	11/2013	Cho	D14/432
8,703,322 B2 *	4/2014	Lee et al.	429/138
D704,190 S *	5/2014	Sugino et al.	D14/432
D711,311 S	8/2014	Corbin et al.	
D714,789 S *	10/2014	Chen et al.	D14/435
D717,800 S *	11/2014	Akana et al.	D14/432
D719,087 S *	12/2014	Bataillou et al.	D13/103
D720,353 S *	12/2014	Nakamura	D14/432

(73) Assignee: **Apple Inc.**, Cupertino, CA (US)

(**) Term: **14 Years**

(21) Appl. No.: **29/508,579**

(22) Filed: **Nov. 7, 2014**

* cited by examiner

Related U.S. Application Data

(63) Continuation of application No. 29/434,891, filed on Oct. 17, 2012, now Pat. No. Des. 717,800.

Primary Examiner — Austin Murphy

(51) **LOC (10) Cl.** **14-02**

(74) *Attorney, Agent, or Firm* — Sterne, Kessler, Goldstein & Fox P.L.L.C.

(52) **U.S. Cl.**
USPC **D14/432**

(57) **CLAIM**

The ornamental design for a battery for an electronic device, as shown and described.

(58) **Field of Classification Search**

CPC H01M 2/0262; H01M 2/0287; H01M 2/1077; H01M 10/5075; H01M 10/5095; H01M 10/052; Y02T 10/7011
USPC D14/316-319, 432-439, 442, 451-454, D14/496, 495, 391, 385, 367, 356; D13/103; D18/50, 4.6, 4.5; 439/630, 439/635, 639, 160; 360/2; 235/492, 486, 235/479, 380

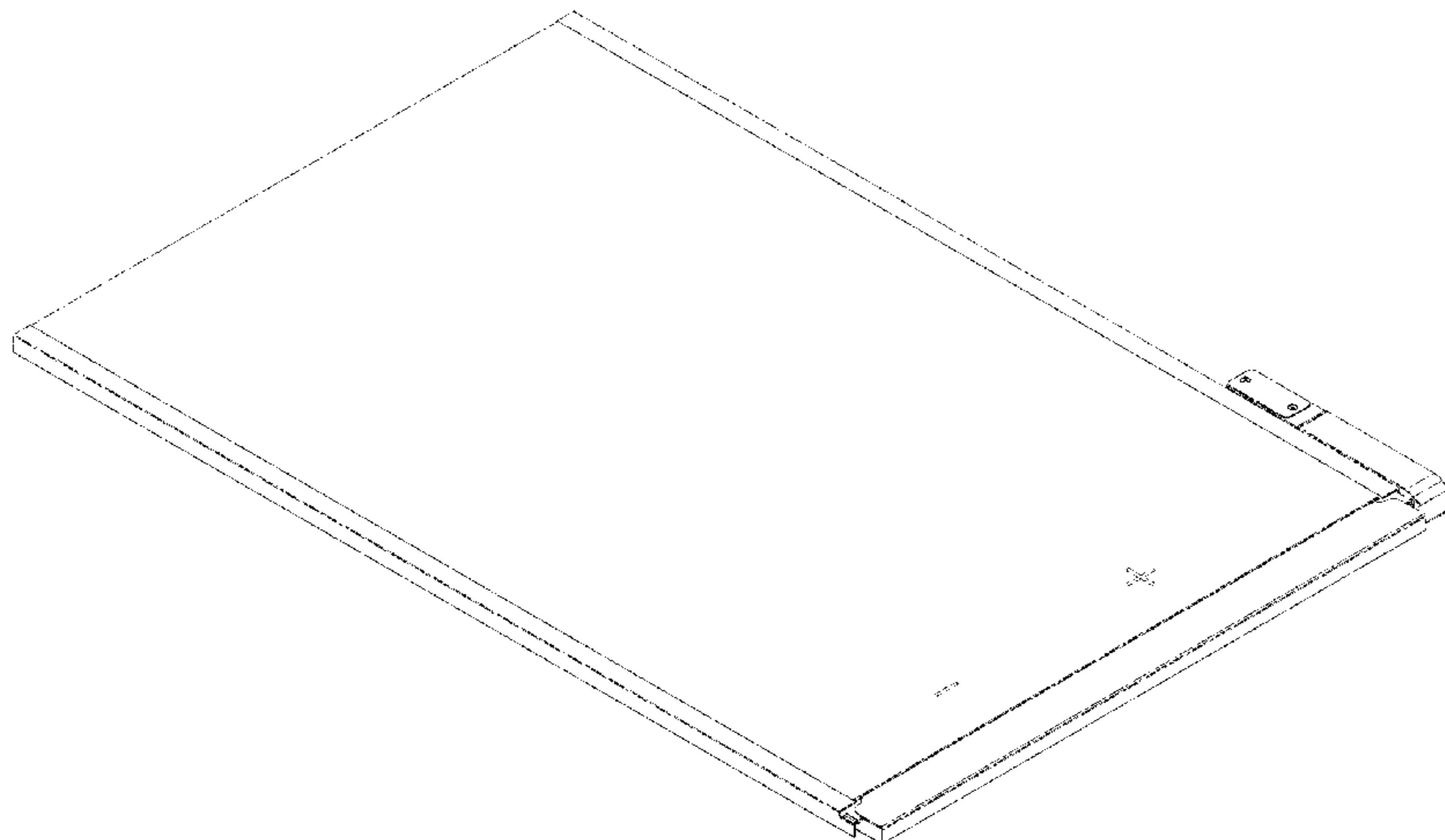
DESCRIPTION

FIG. 1 is a bottom front perspective view of a battery for an electronic device showing our new design; FIG. 2 is a bottom rear perspective view thereof; FIG. 3 is a front view thereof; FIG. 4 is a left side view thereof; FIG. 5 is a right side view thereof; FIG. 6 is a top view thereof; and, FIG. 7 is a bottom view thereof.

The broken lines in the Figures show portions of the battery for an electronic device and form no part of the claimed design.

See application file for complete search history.

1 Claim, 5 Drawing Sheets



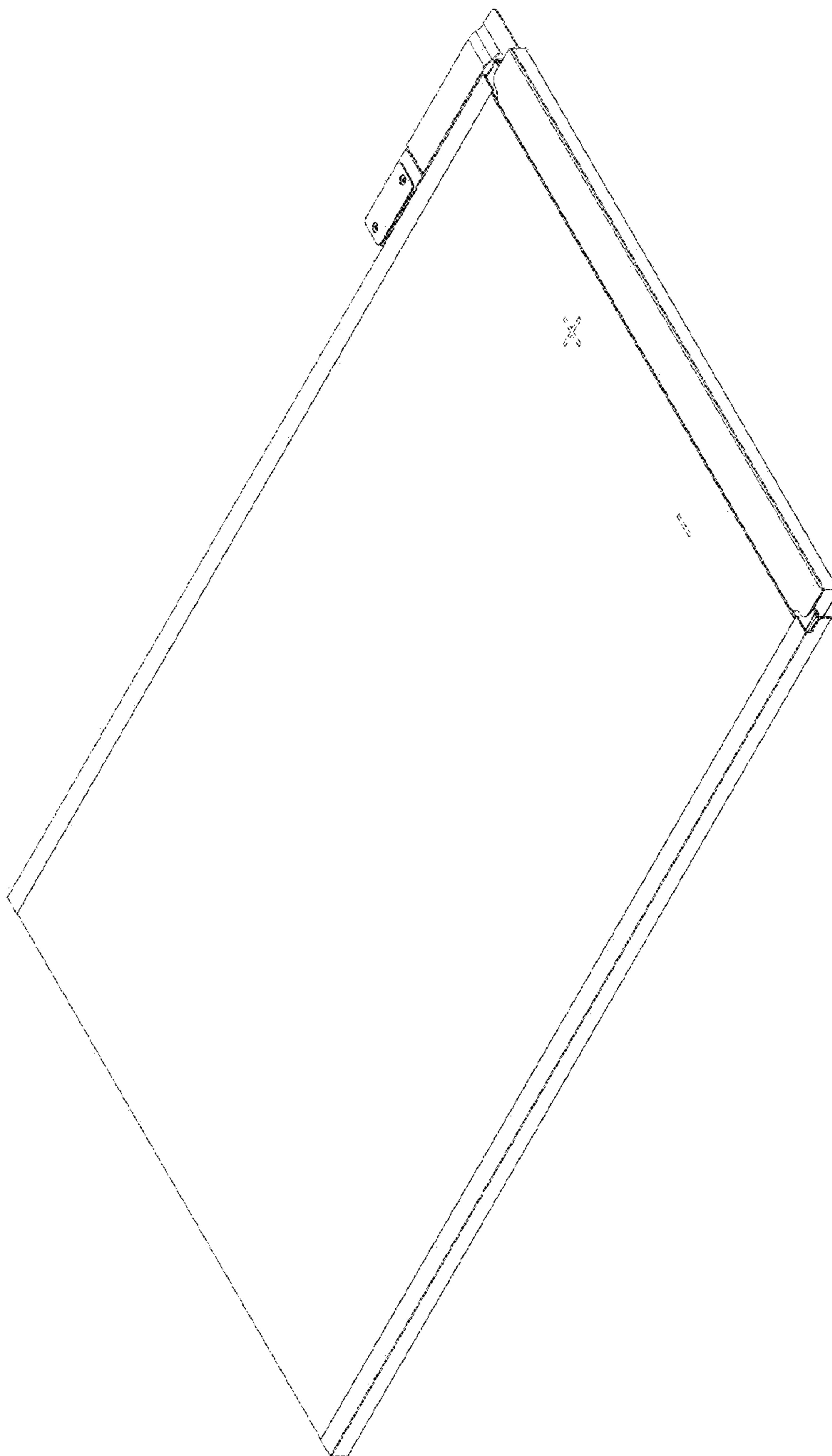


FIG. 1

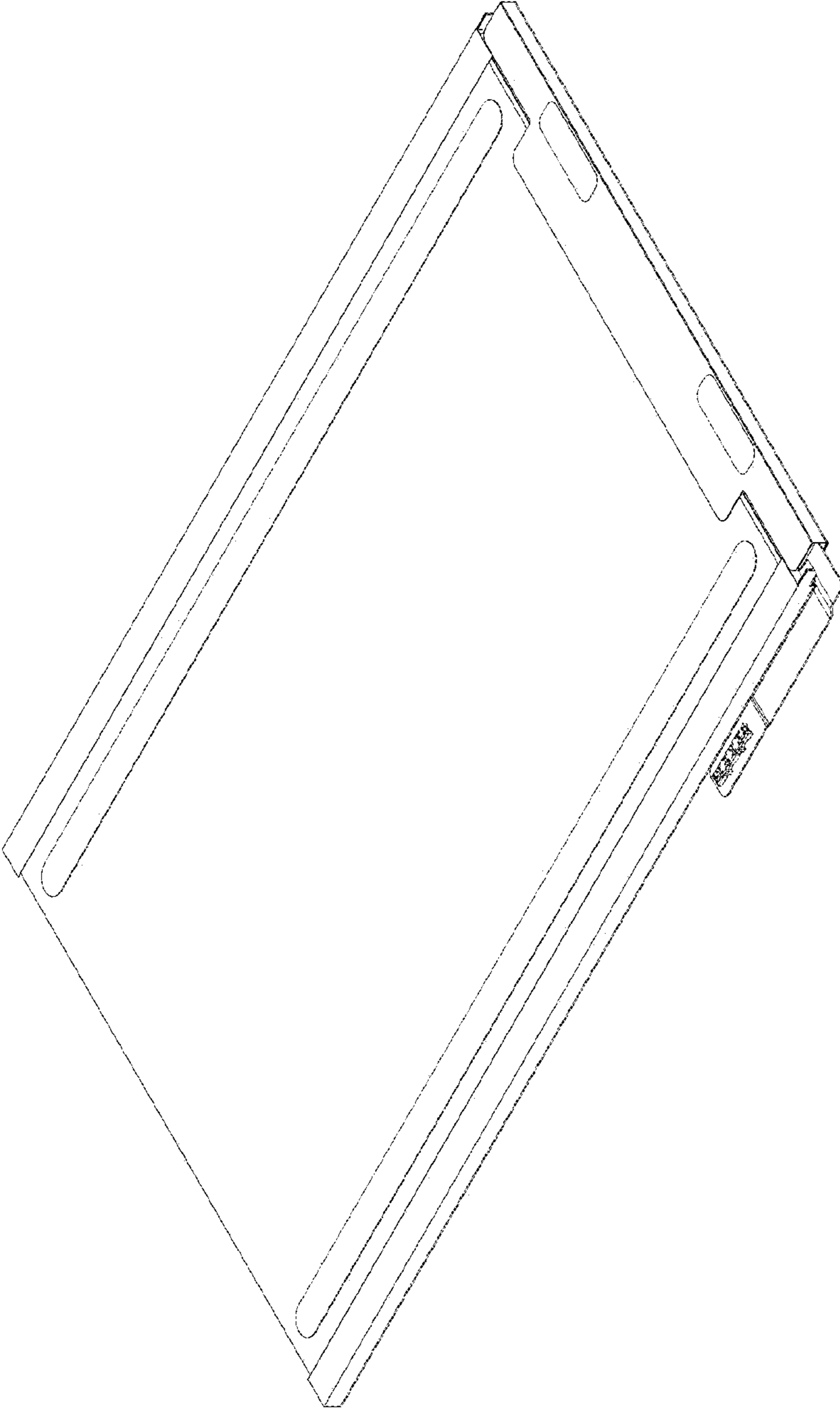


FIG. 2

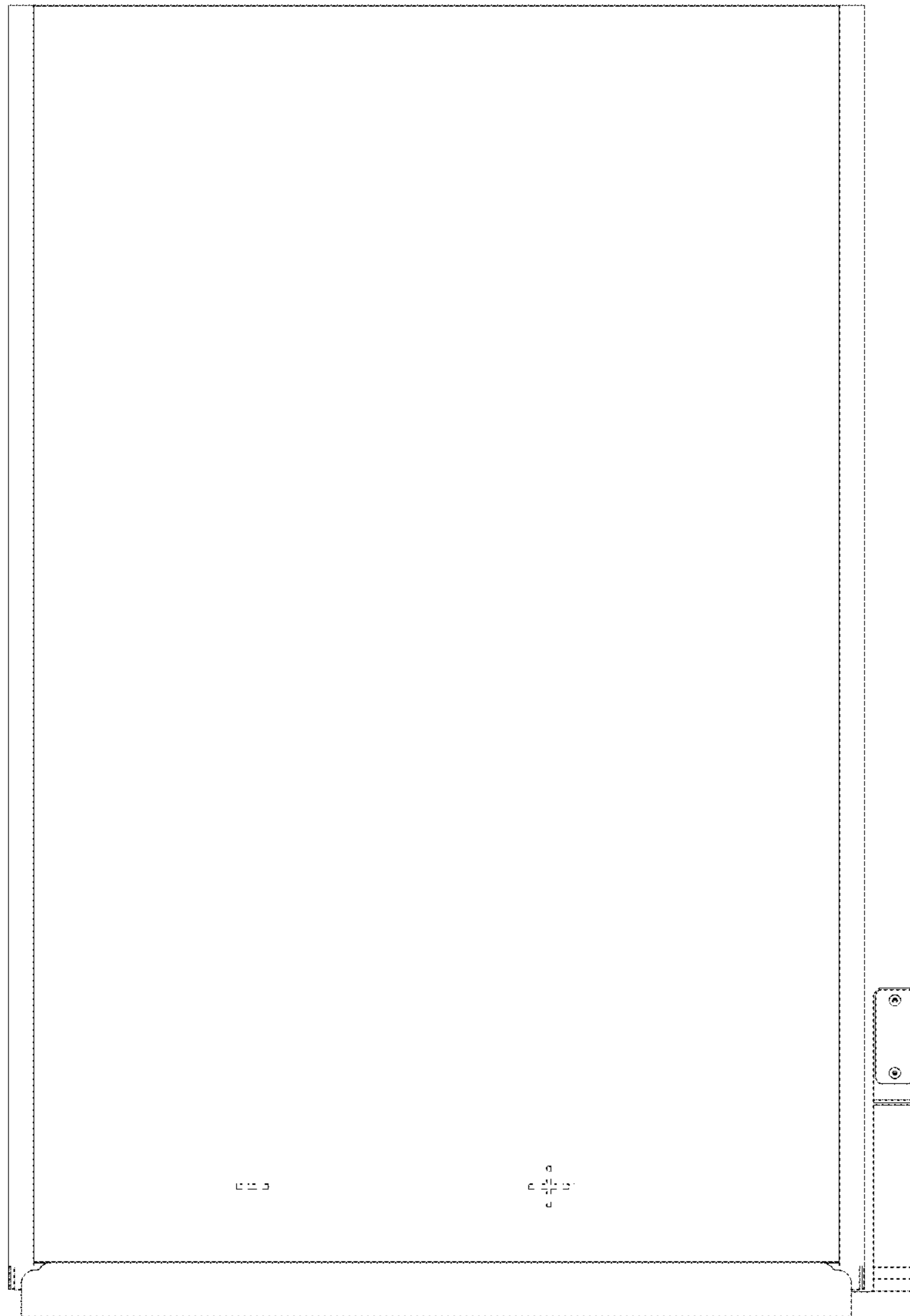


FIG. 3

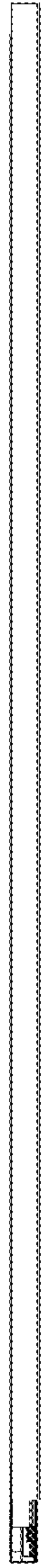


FIG. 4

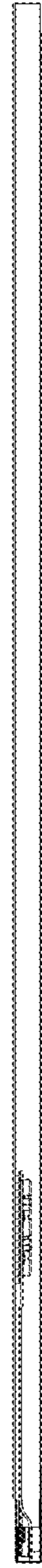


FIG. 5

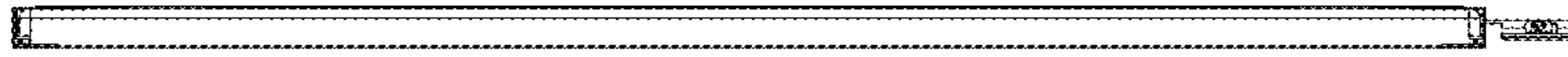


FIG. 6

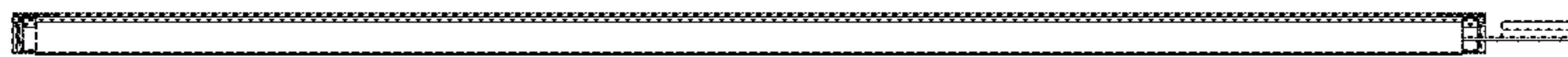


FIG. 7