



US00D729804S

(12) **United States Design Patent**
Jost

(10) **Patent No.:** **US D729,804 S**
(45) **Date of Patent:** **** May 19, 2015**

(54) **COMPUTER MOUSE**
(71) Applicant: **Roccat GmbH**, Hamburg (DE)
(72) Inventor: **Andreas Jost**, Hamburg (DE)
(73) Assignee: **Roccat GmbH**, Hamburg (DE)
(**) Term: **14 Years**
(21) Appl. No.: **29/501,101**

D594,459 S *	6/2009	Manalo et al.	D14/406
D627,355 S *	11/2010	Blanchard	D14/402
D665,392 S *	8/2012	Jost	D14/409
D680,113 S *	4/2013	Li et al.	D14/409
D684,577 S *	6/2013	Lee	D14/402
D688,245 S *	8/2013	Guerra	D14/409
D688,664 S *	8/2013	Guerra	D14/409
D709,883 S *	7/2014	Moon	D14/402
D711,380 S *	8/2014	Urban	D14/410
D712,903 S *	9/2014	Lai	D14/409
D718,310 S *	11/2014	Moon et al.	D14/409
2009/0046064 A1 *	2/2009	Manalo et al.	345/164

* cited by examiner

(22) Filed: **Sep. 1, 2014**
(51) **LOC (10) Cl.** **14-02**
(52) **U.S. Cl.**
USPC **D14/410**
(58) **Field of Classification Search**
USPC D14/402-411, 356, 388, 389, 383-385,
D14/417, 426; 345/156-167; 463/36-38;
358/471, 473; 273/148 B
See application file for complete search history.

Primary Examiner — Austin Murphy
(74) *Attorney, Agent, or Firm* — Inventa Capital PLC

(57) **CLAIM**
I claim the ornamental design for a computer mouse, as shown and described.

DESCRIPTION

FIG. 1 is a top perspective view of a computer mouse of the present invention;
FIG. 2 is a bottom view of the computer mouse;
FIG. 3 is a front view of the computer mouse;
FIG. 4 is a rear view of the computer mouse;
FIG. 5 is a right side view of the computer mouse;
FIG. 6 is a left side view of the computer mouse; and,
FIG. 7 is a perspective view of the computer mouse.

1 Claim, 7 Drawing Sheets

(56) **References Cited**
U.S. PATENT DOCUMENTS
D582,415 S * 12/2008 Manalo D14/406
D591,293 S * 4/2009 Manalo D14/402
D591,294 S * 4/2009 Manalo D14/402

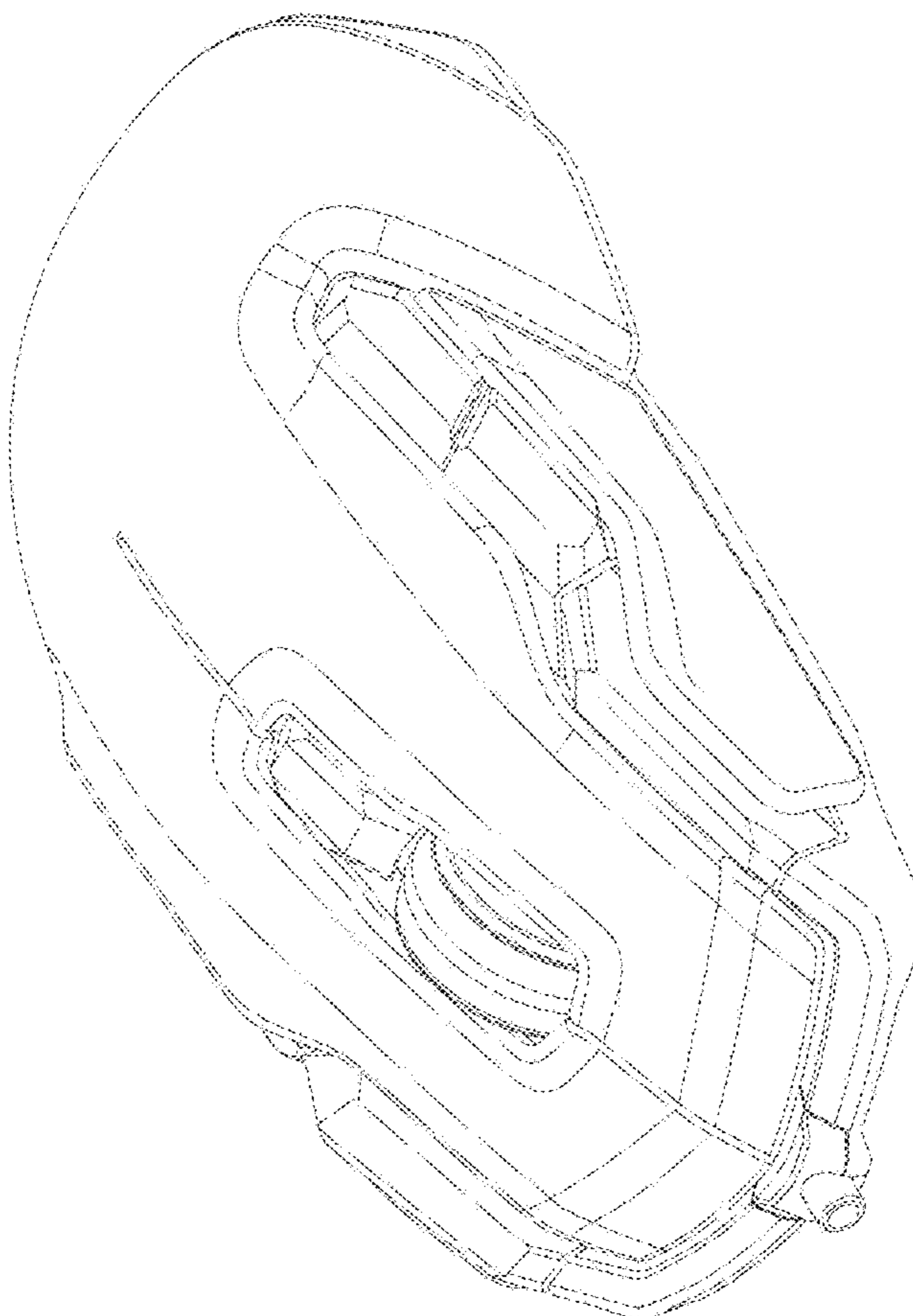


FIGURE 1

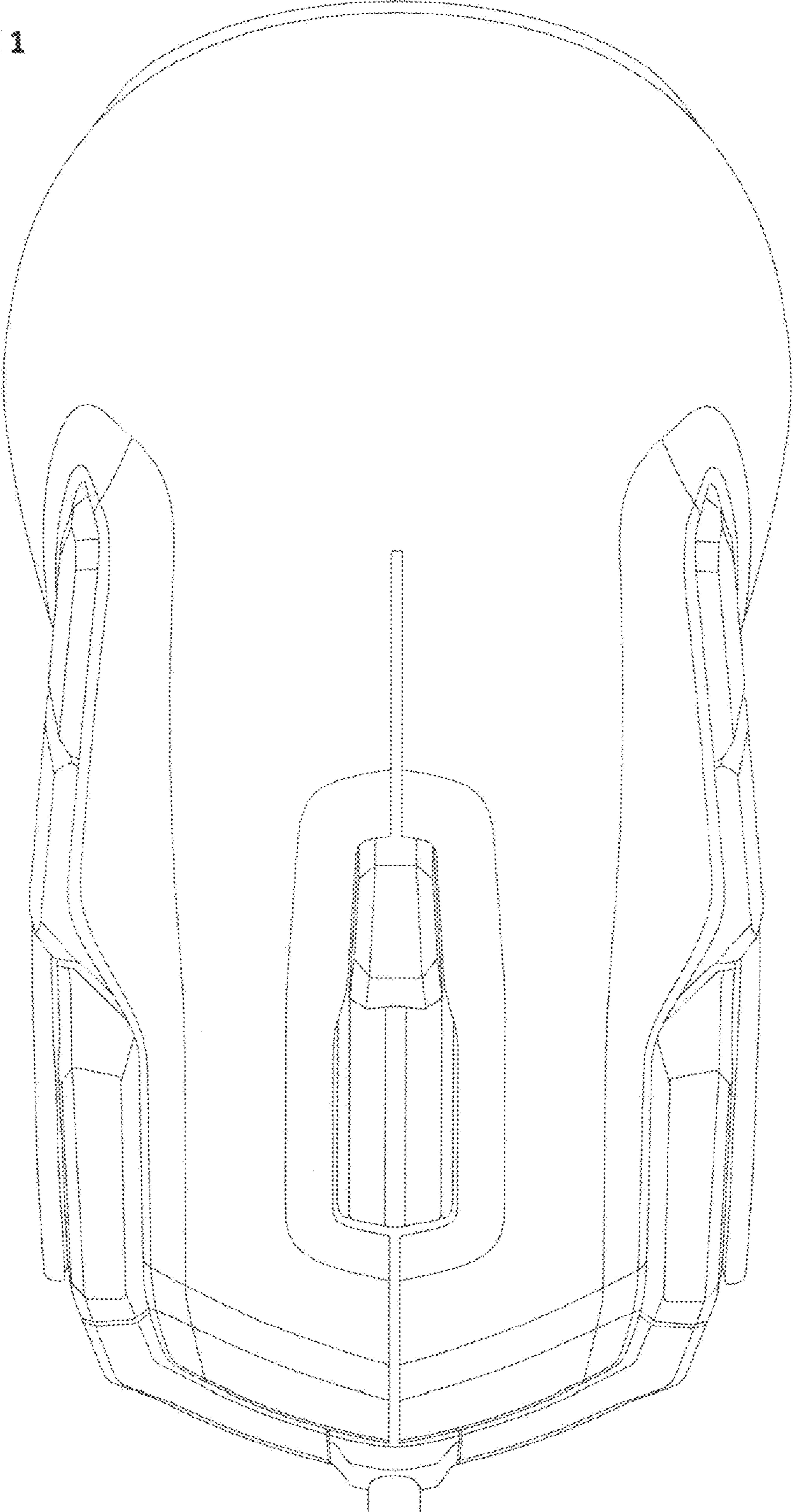


FIGURE 2

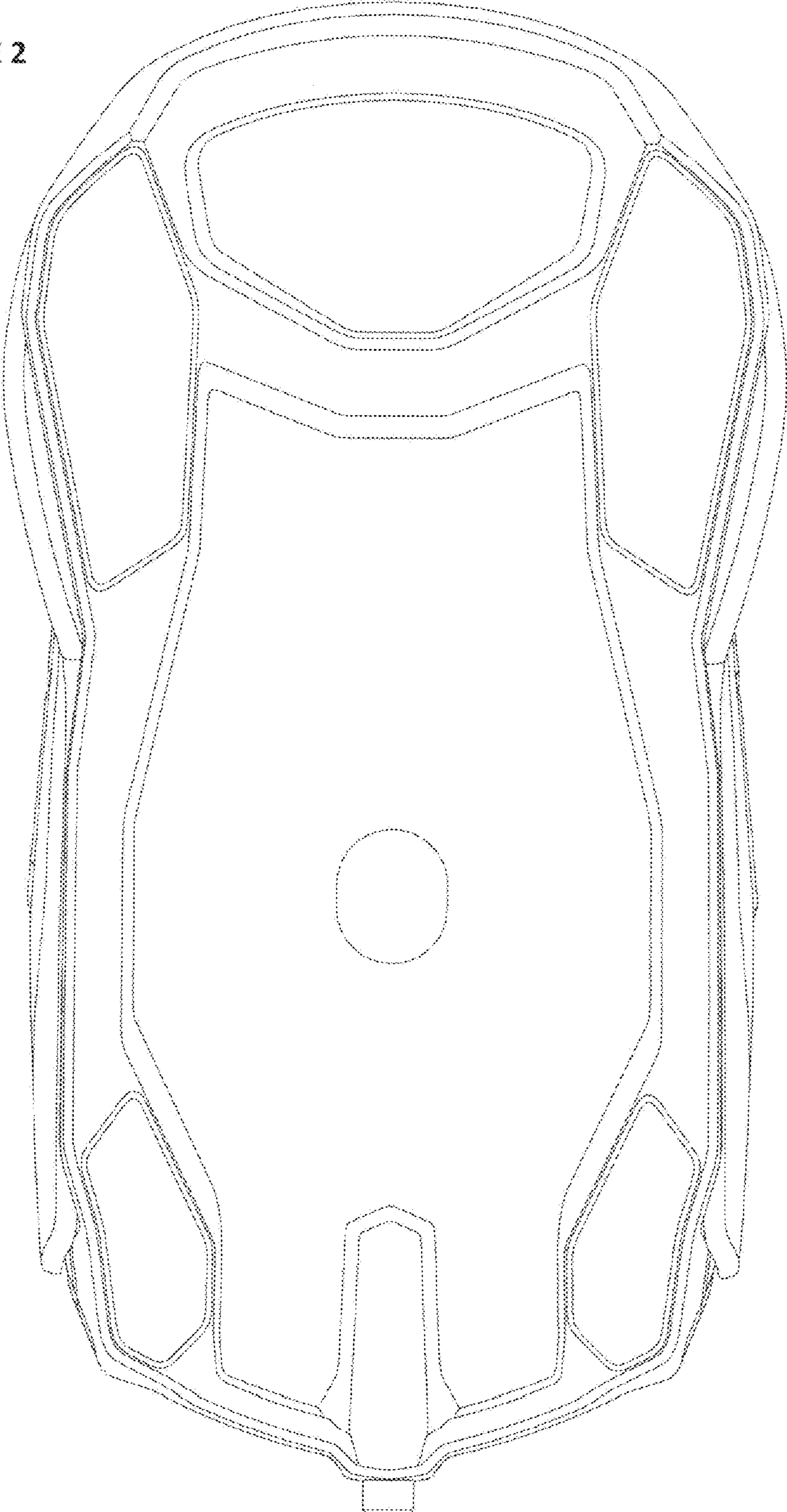


FIGURE 3

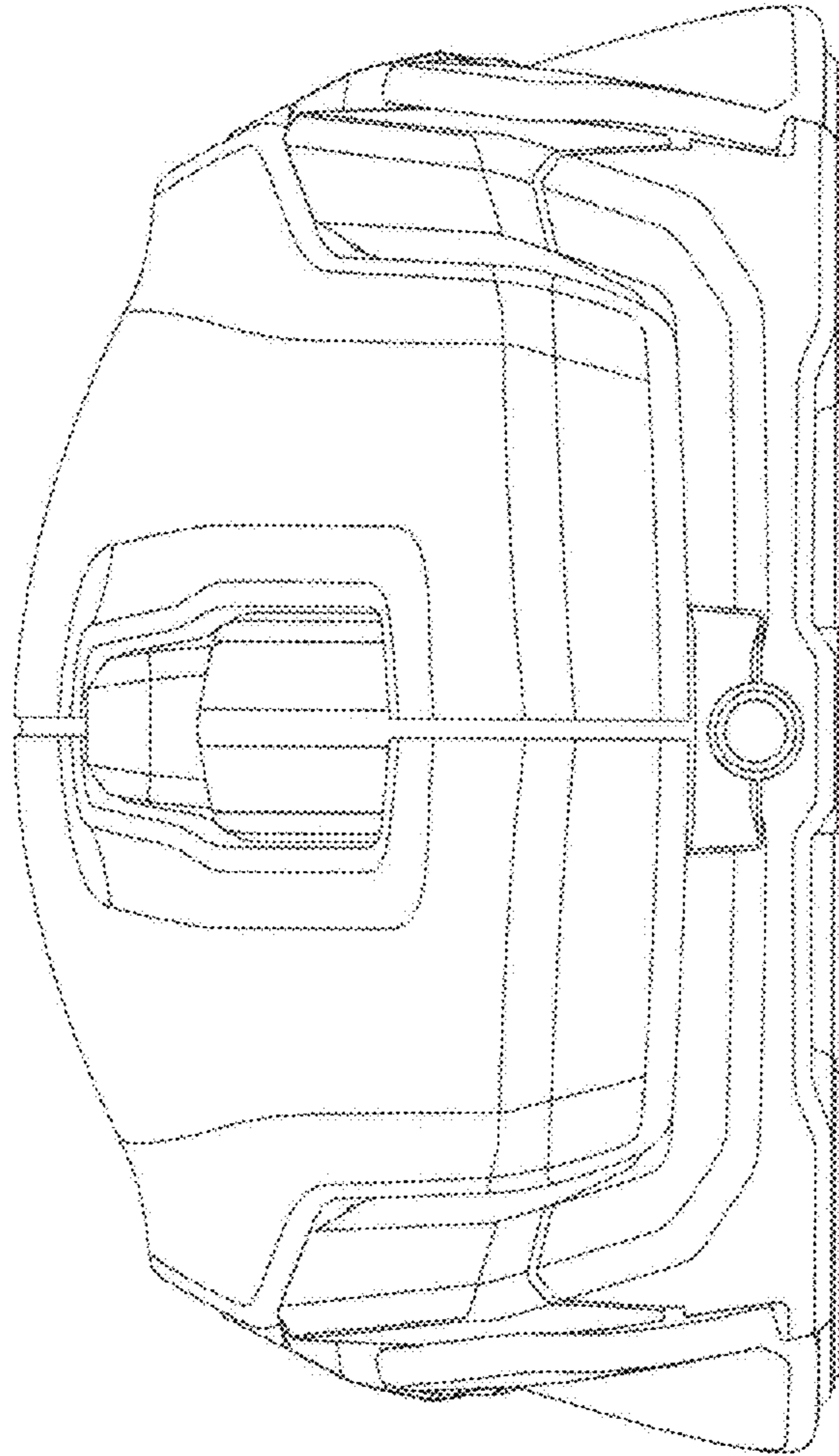


FIGURE 4

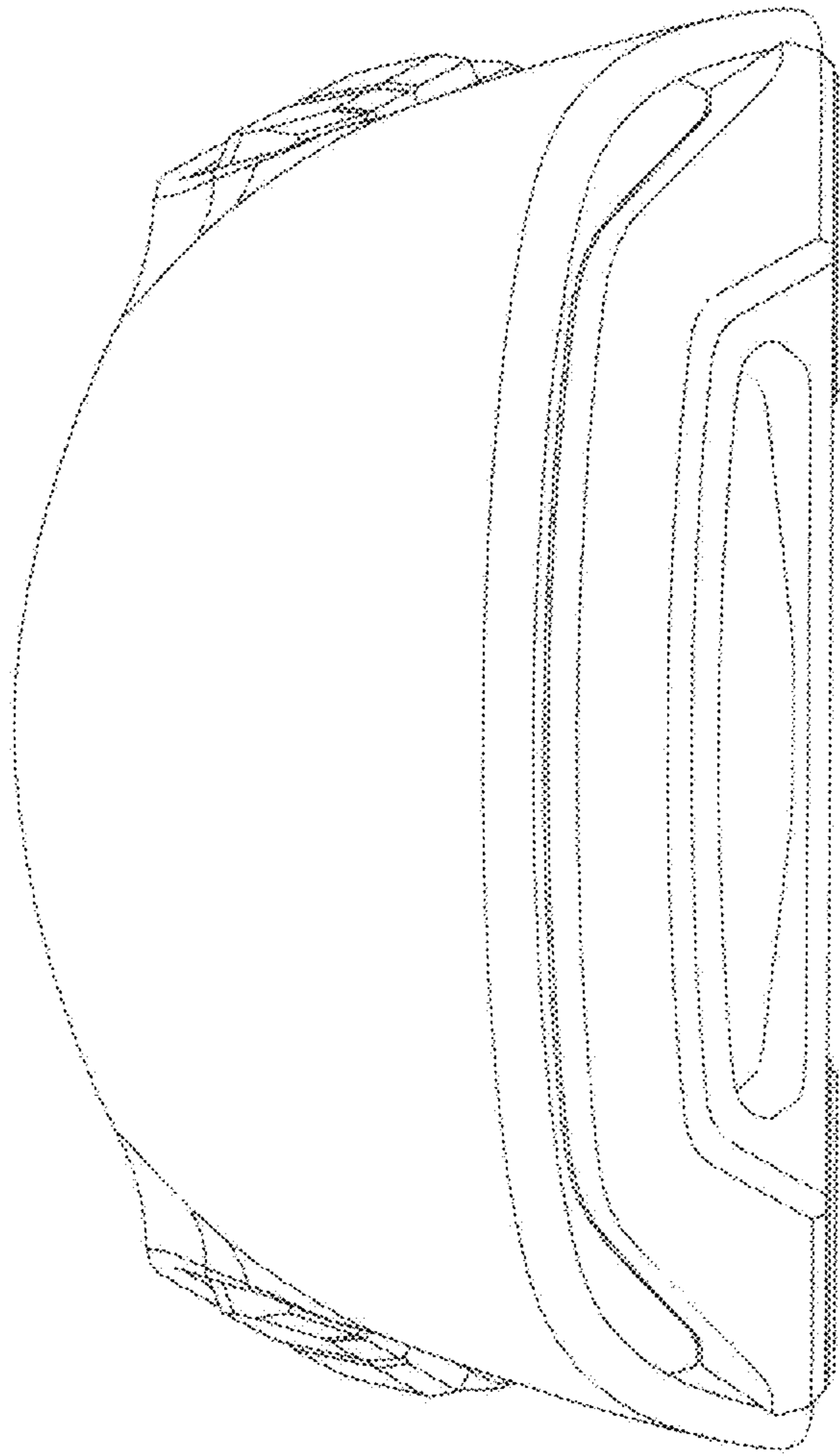


FIGURE 5

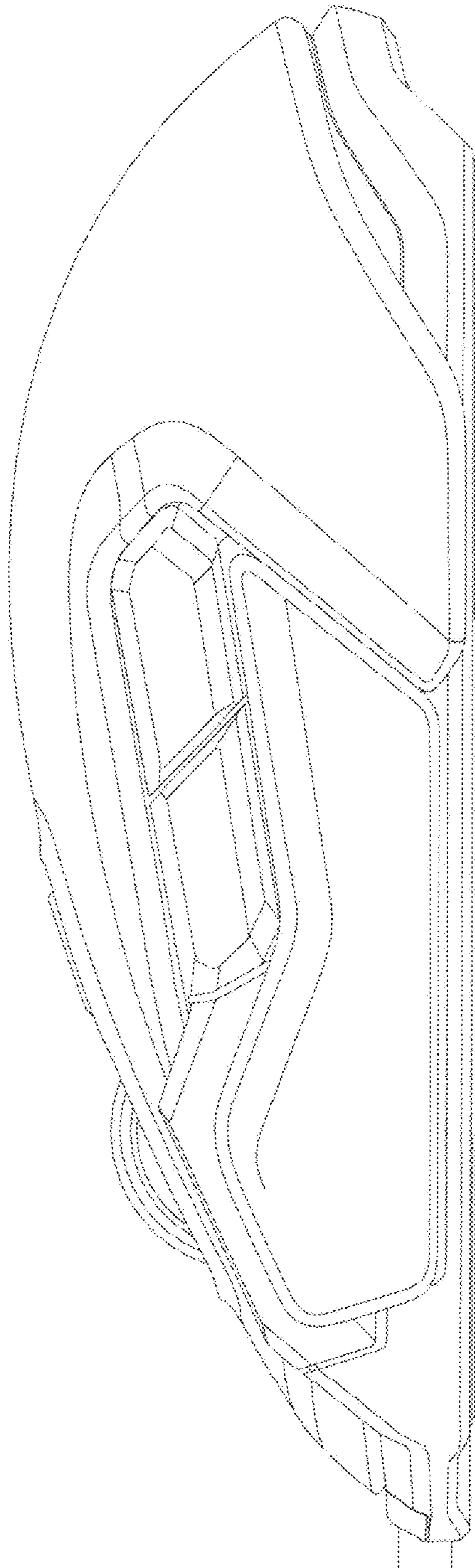


FIGURE 6

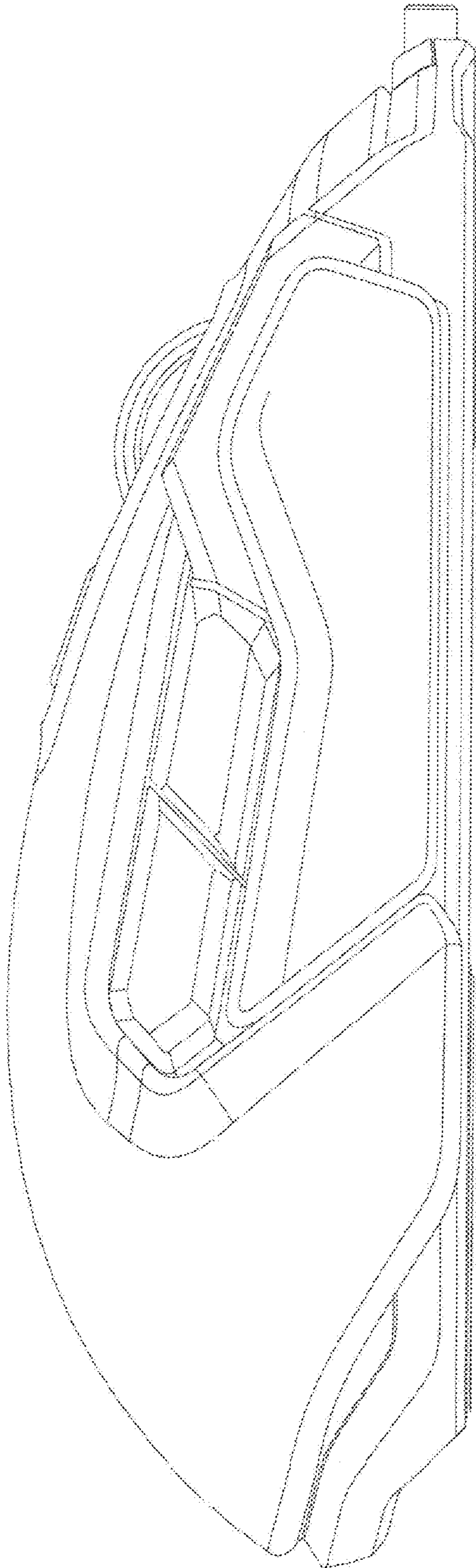


FIGURE 7

