



US00D729803S

(12) **United States Design Patent**
Avery

(10) **Patent No.:** **US D729,803 S**
(45) **Date of Patent:** **** May 19, 2015**

(54) **CONTROLLER**

(71) Applicant: **LeapFrog Enterprises, Inc.**,
Emeryville, CA (US)

(72) Inventor: **Jason Avery**, San Francisco, CA (US)

(73) Assignee: **LeapFrog Enterprises, Inc.**,
Emeryville, CA (US)

(**) Term: **14 Years**

(21) Appl. No.: **29/489,972**

(22) Filed: **May 5, 2014**

(51) **LOC (10) Cl.** **14-03**

(52) **U.S. Cl.**
USPC **D14/401; D21/333**

(58) **Field of Classification Search**
CPC A63F 13/02; A63F 9/24; A63F 9/00;
A63F 11/00
USPC D14/399-401, 412-416; D21/324, 333;
273/148 B; 463/1, 29-39, 46, 47;
345/156-161, 905
See application file for complete search history.

(56) **References Cited**

U.S. PATENT DOCUMENTS

5,046,739 A * 9/1991 Reichow 273/148 B
5,375,831 A * 12/1994 Hsien-Chung 273/148 B

D363,320 S * 10/1995 Barthelemy et al. D14/401
D422,996 S * 4/2000 Alviar et al. D14/401
6,296,571 B1 * 10/2001 McVicar 463/38
6,544,124 B2 * 4/2003 Ireland et al. 463/37
6,614,426 B1 * 9/2003 Kakeya 345/419
D656,996 S * 4/2012 Mikhailov et al. D21/333

* cited by examiner

Primary Examiner — Prabhakar Deshmukh

(74) *Attorney, Agent, or Firm* — Kilpatrick Townsend & Stockton LLP

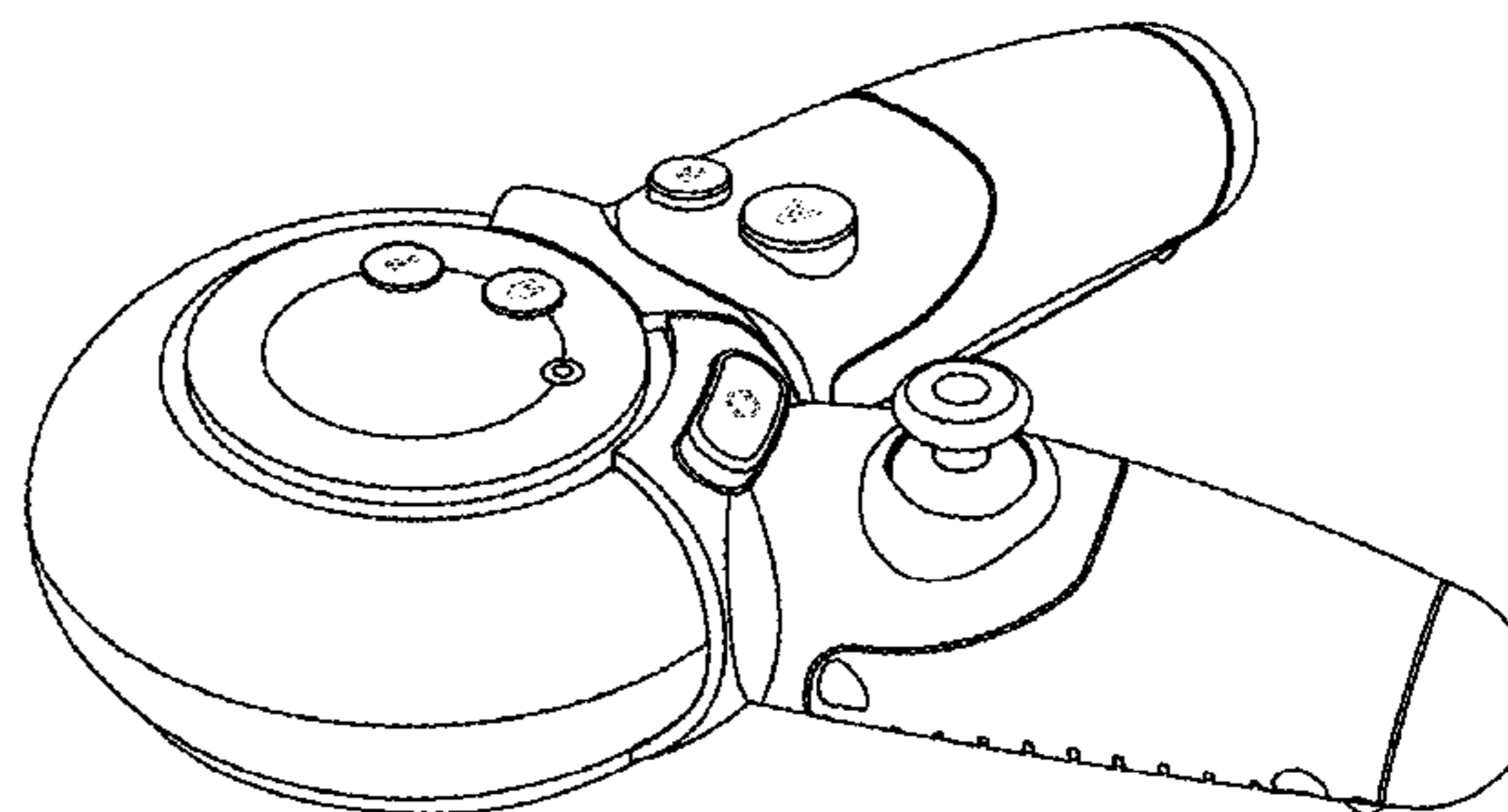
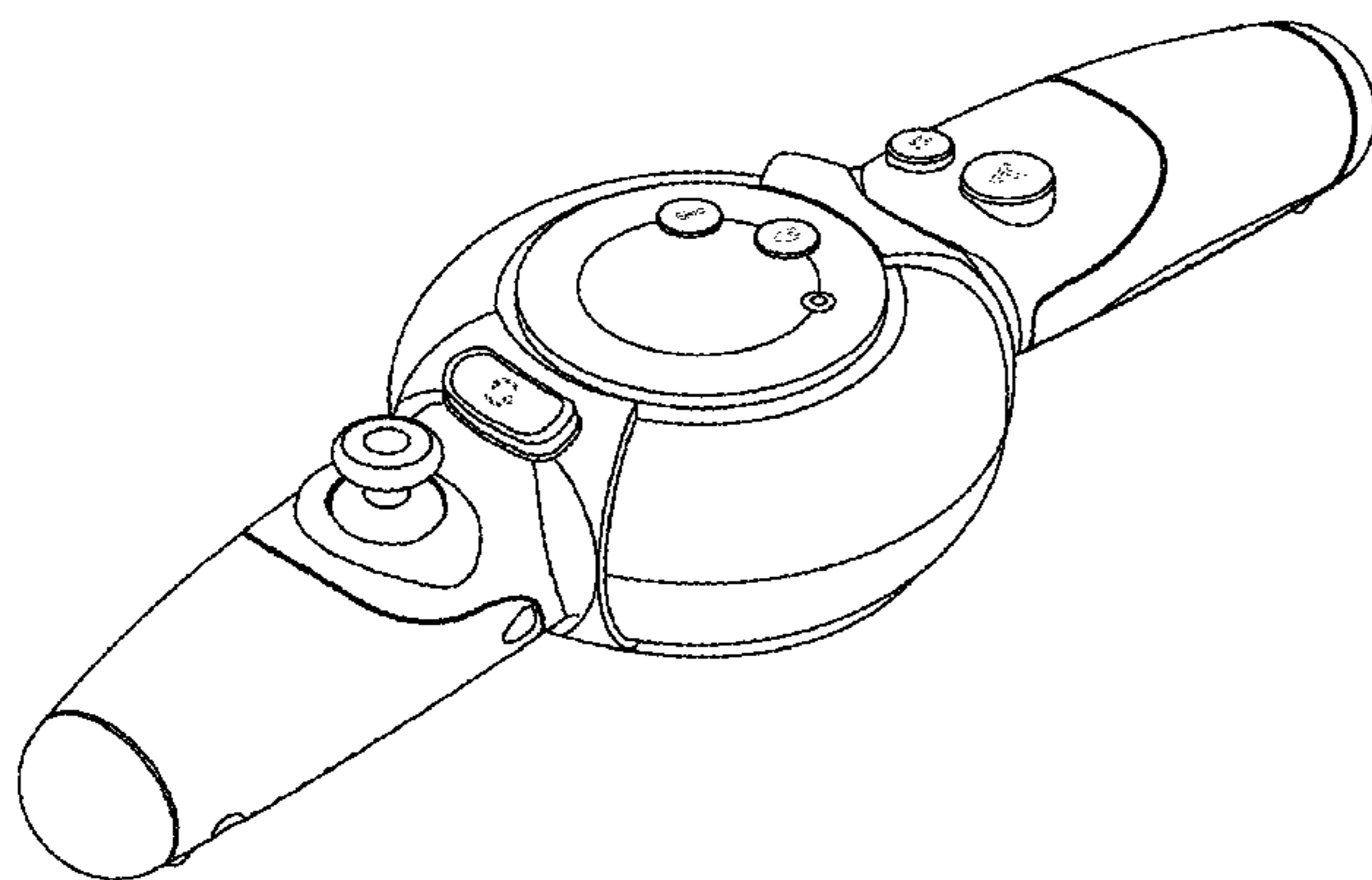
(57) **CLAIM**

The ornamental design for controller, as shown and described.

DESCRIPTION

FIG. 1 is a perspective view of controller showing my new design;
FIG. 2 is a rear elevational view thereof;
FIG. 3 is a front elevational view thereof;
FIG. 4 is a bottom plan view thereof;
FIG. 5 is a top plan view thereof;
FIG. 6 is a left side elevational view thereof;
FIG. 7 is a right side elevational view thereof;
FIG. 8 is another perspective view thereof, shown in alternate position; and,
FIG. 9 is another perspective view thereof, shown in alternate position.

1 Claim, 5 Drawing Sheets



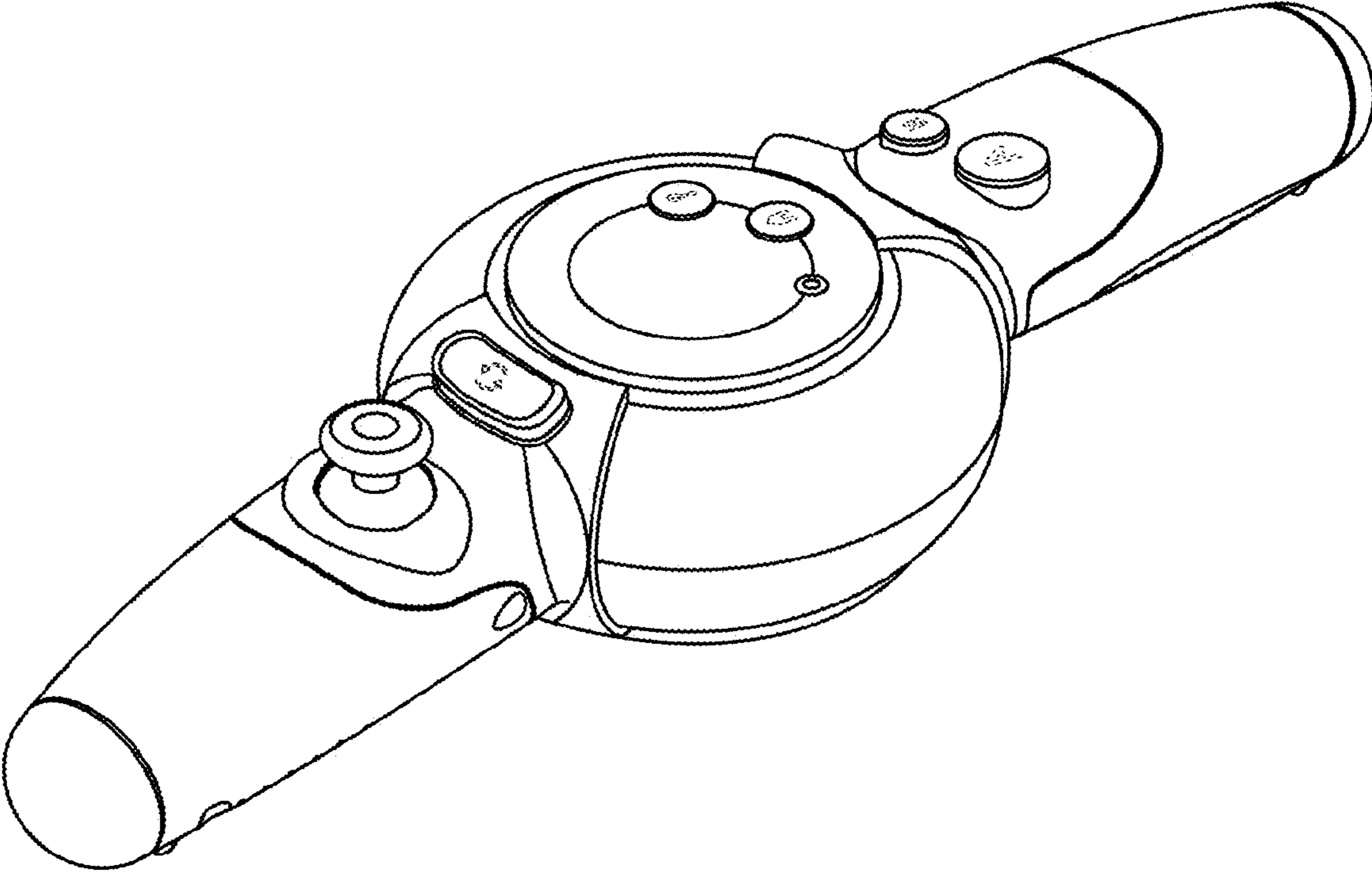


FIG. 1

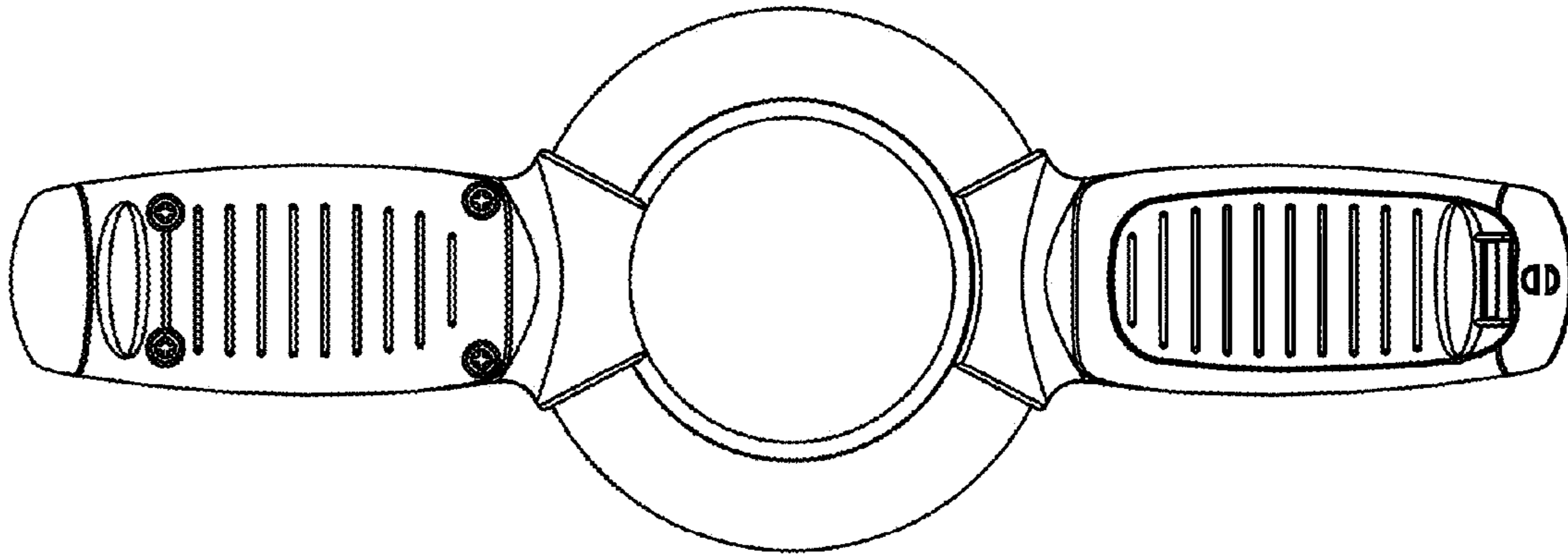


FIG. 2

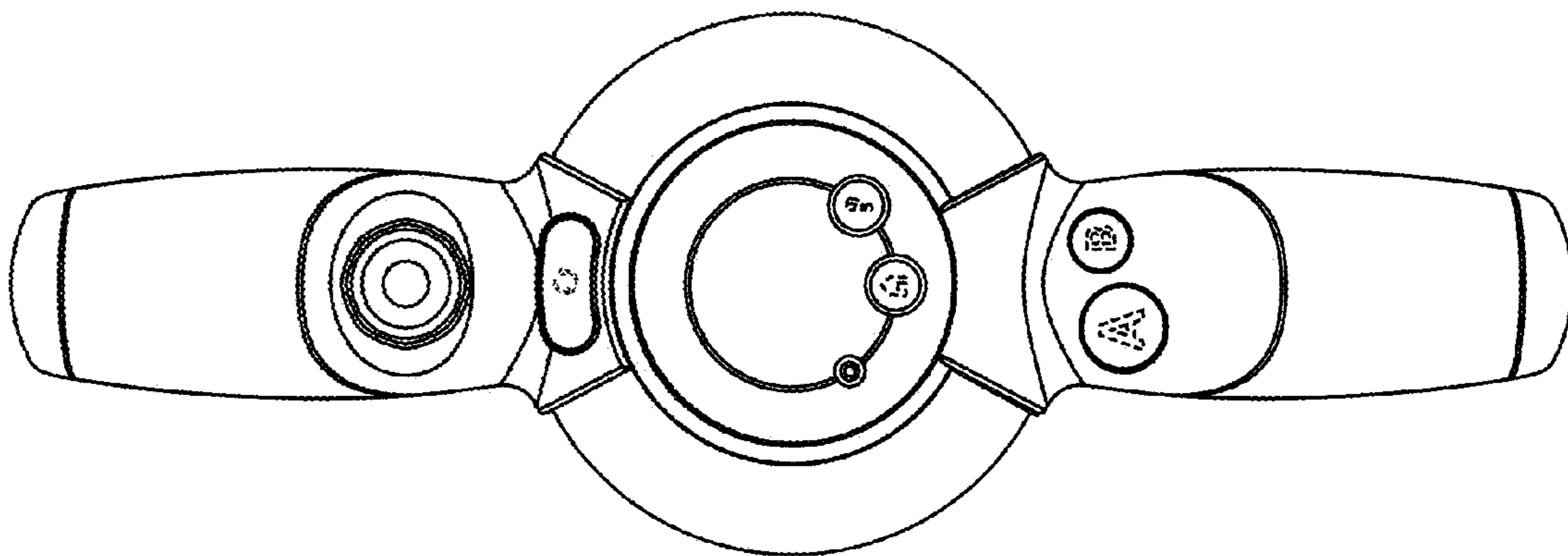


FIG. 3

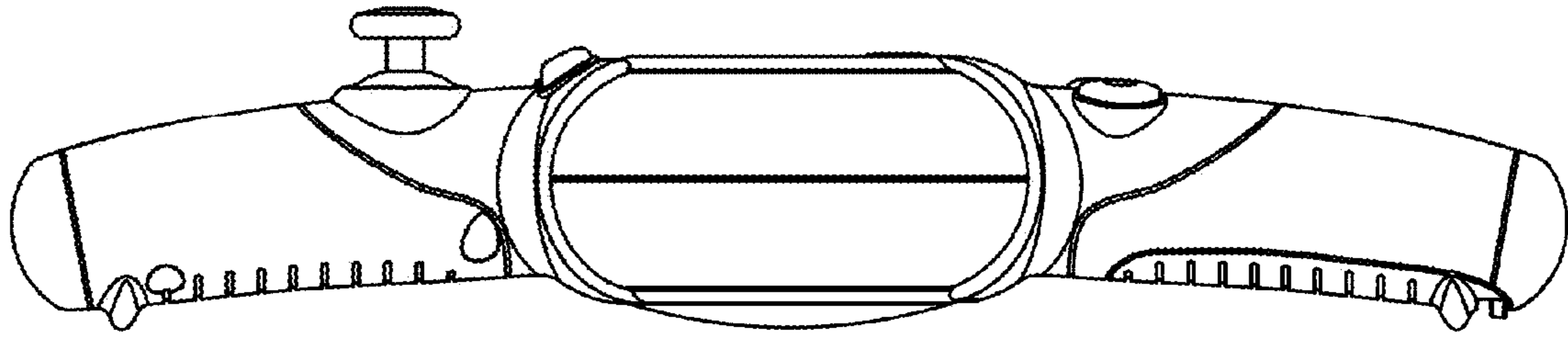


FIG. 4

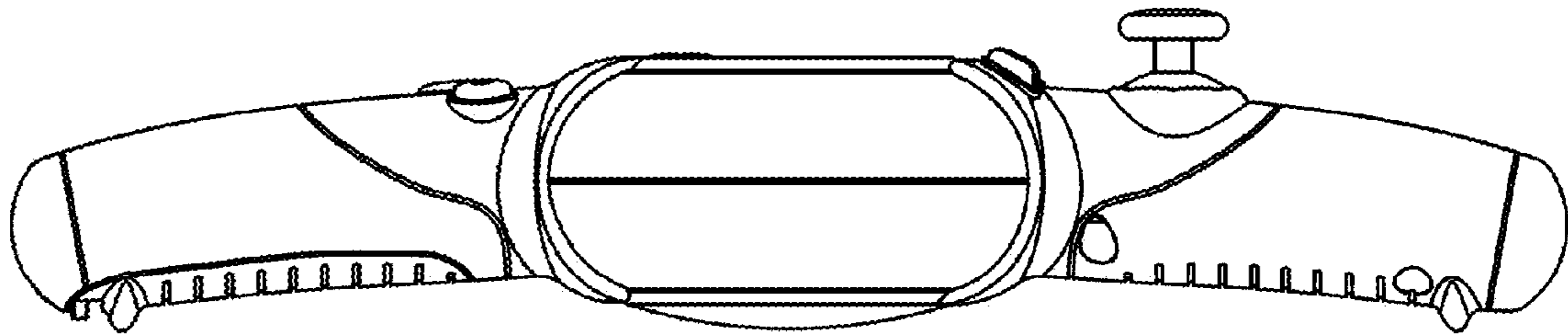


FIG. 5

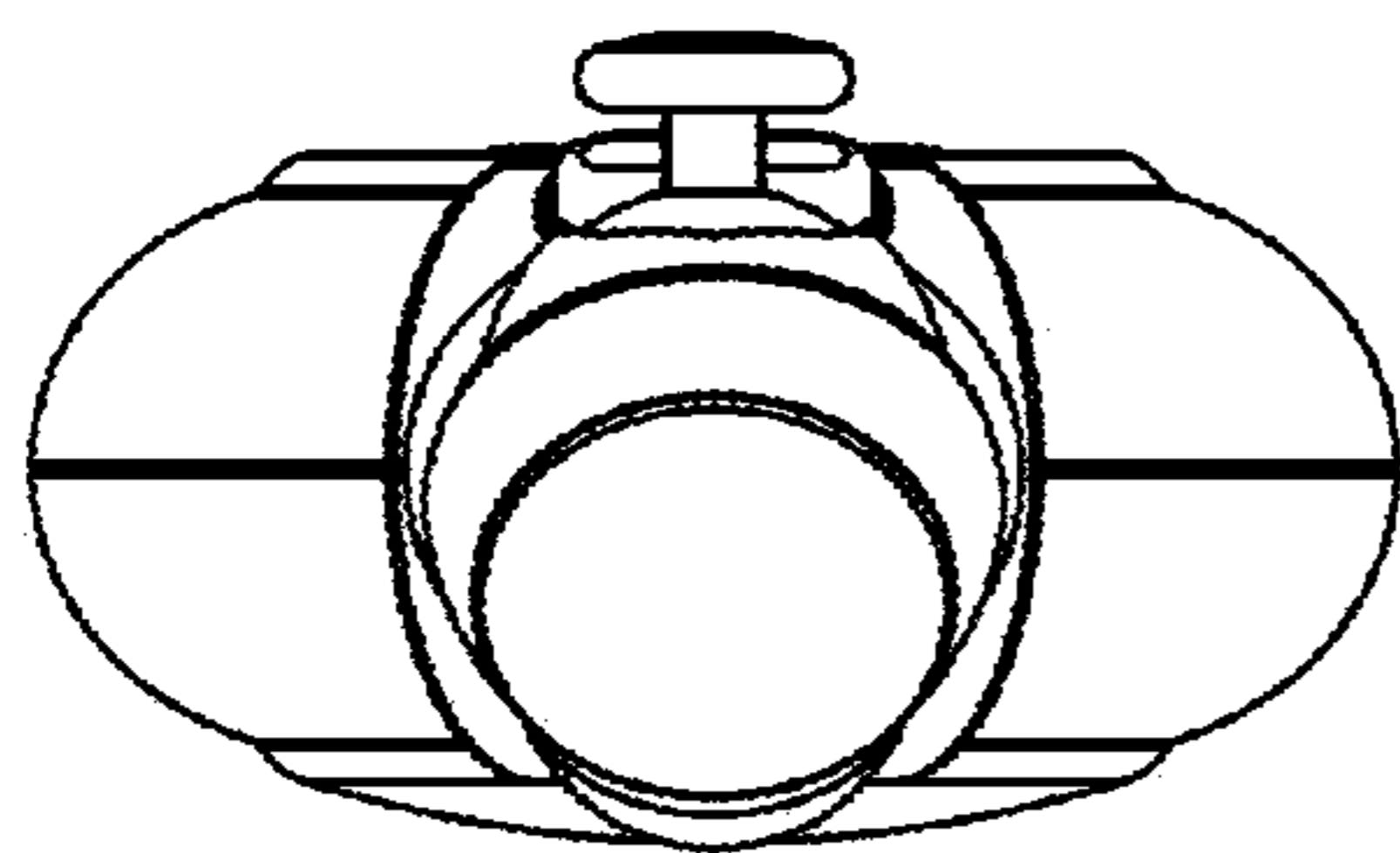


FIG. 6

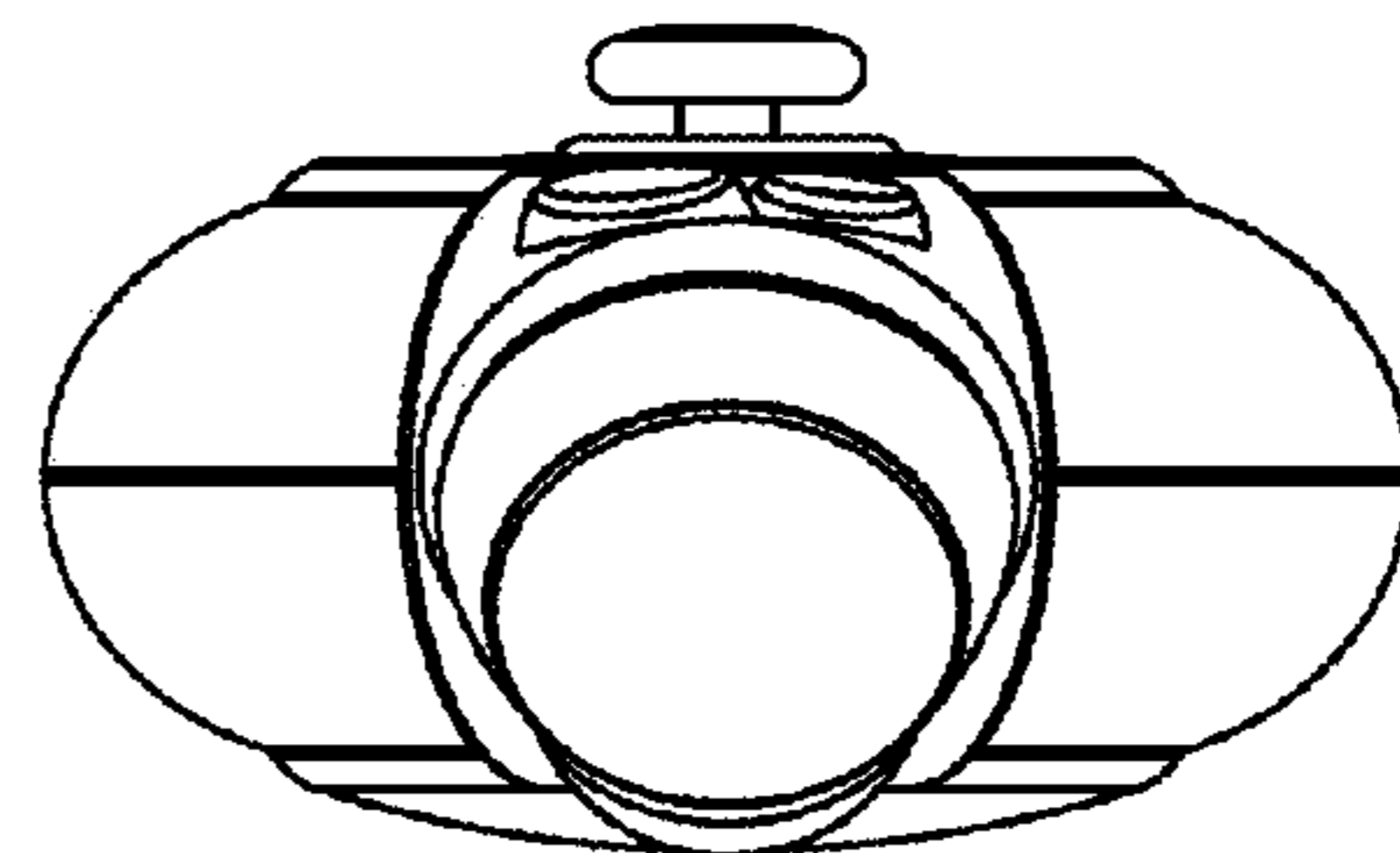


FIG. 7

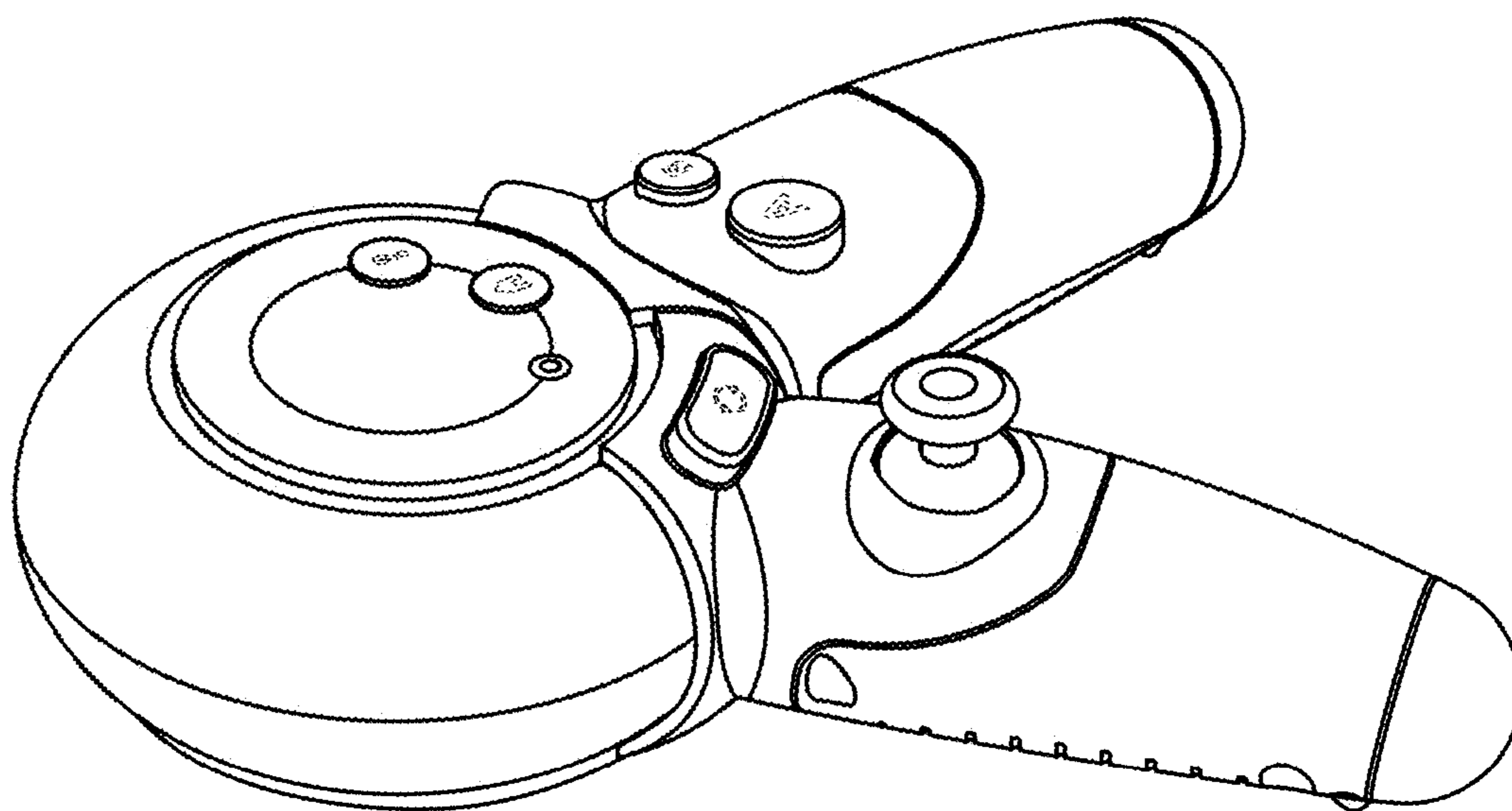


FIG. 8

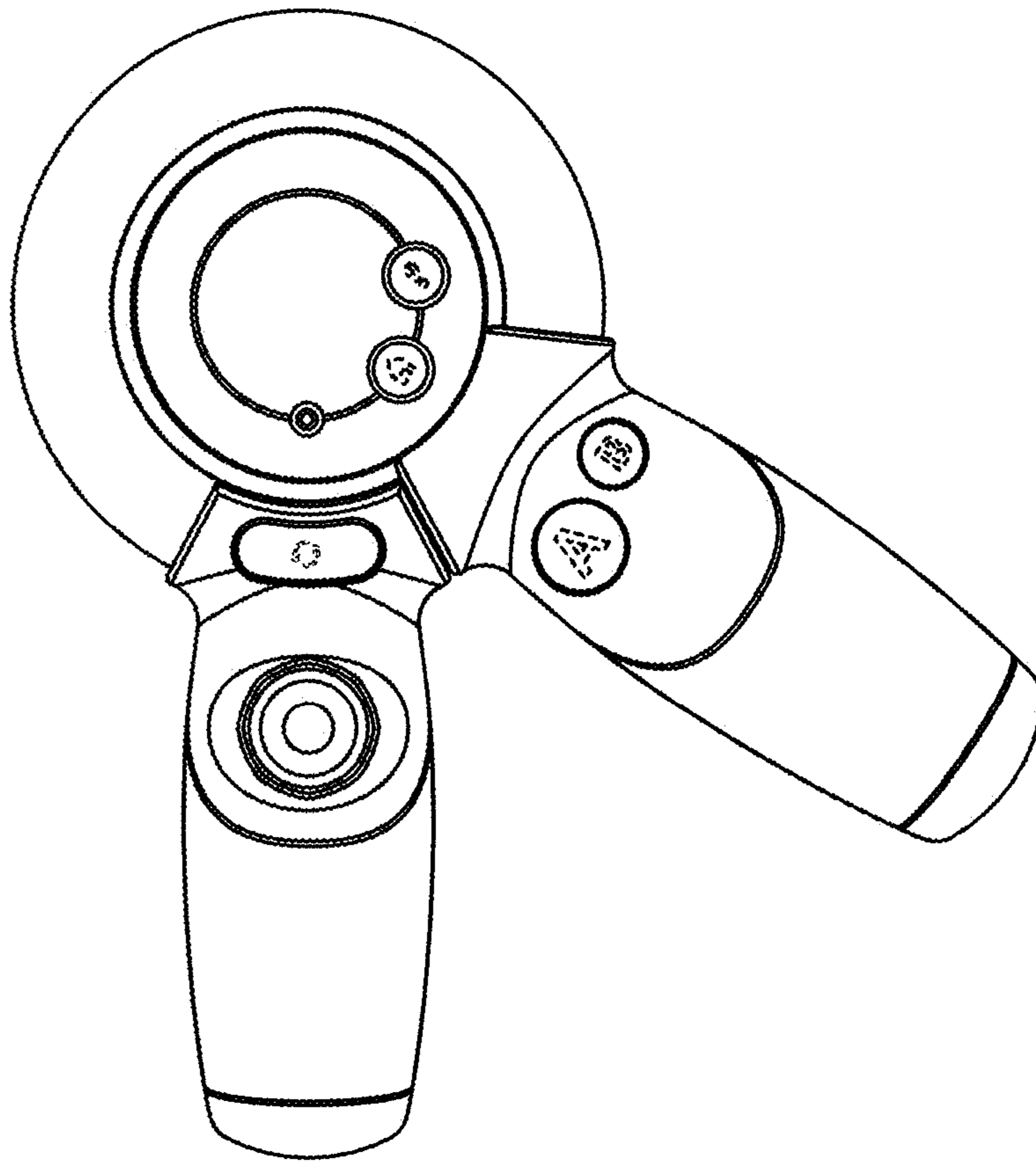


FIG. 9