



US00D729801S

(12) **United States Design Patent**
Daniel

(10) **Patent No.:** **US D729,801 S**
(45) **Date of Patent:** **** May 19, 2015**

(54) **CARD READER AND STYLUS HOLDER**

(71) Applicant: **Isaac S. Daniel**, Miramar, FL (US)

(72) Inventor: **Isaac S. Daniel**, Miramar, FL (US)

(**) Term: **14 Years**

(21) Appl. No.: **29/450,810**

(22) Filed: **Mar. 22, 2013**

(51) **LOC (10) Cl.** **14-02**

(52) **U.S. Cl.**
USPC **D14/385**; D14/307

(58) **Field of Classification Search**
USPC D14/356–358, 383–385, 420, 426, 427,
D14/432–439, 447, 453, 454, 217, 253, 299,
D14/307; D13/107, 108, 133, 146, 147,
D13/152, 154, 156, 158, 162, 162.1, 168,
D13/173, 177, 102; 235/441, 451, 492, 380,
235/439, 375; 361/679.31, 600, 679.01,
361/679.02

See application file for complete search history.

(56) **References Cited**

U.S. PATENT DOCUMENTS

D489,069 S * 4/2004 Lin D14/435.1
D535,296 S * 1/2007 Boulware D14/385

D590,828 S * 4/2009 Sherrod et al. D14/385
D603,410 S * 11/2009 Knoch D14/436
D607,000 S * 12/2009 Cheng et al. D14/485
D631,056 S * 1/2011 Mans et al. D14/480.5
D653,664 S * 2/2012 Turnbull et al. D14/385
D698,789 S * 2/2014 Daniel D14/385
D701,860 S * 4/2014 Daniel D14/385
D703,670 S * 4/2014 Rotsaert D14/385

* cited by examiner

Primary Examiner — Austin Murphy

(74) *Attorney, Agent, or Firm* — F3M3 Companies, Inc.

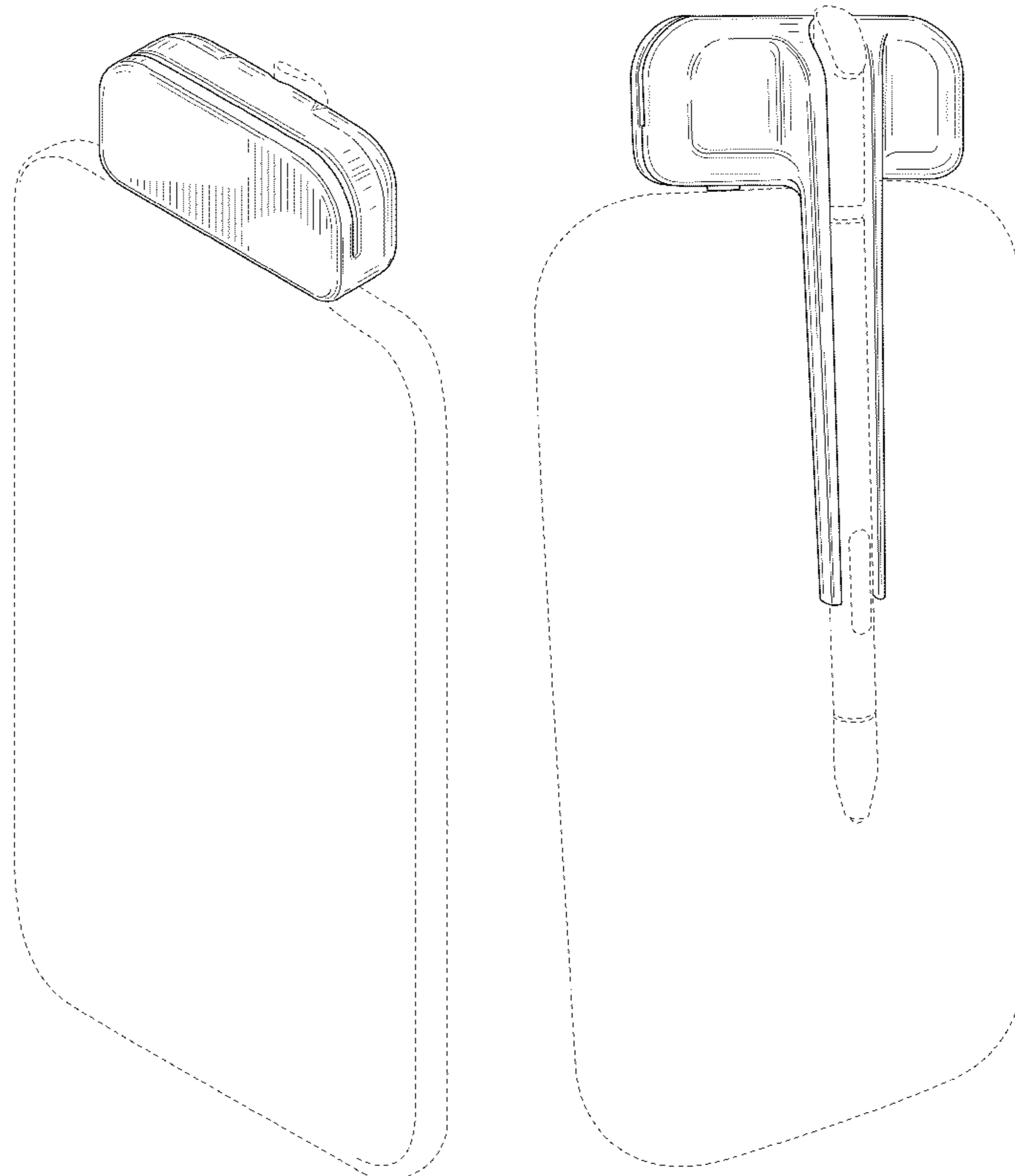
(57) **CLAIM**

The ornamental design for a card reader and stylus holder, as shown and described.

DESCRIPTION

FIG. 1 is a front perspective view of the invention.
FIG. 2 is a rear perspective view of the invention.
FIG. 3 is a front view of the invention.
FIG. 4 is a rear view of the invention.
FIG. 5 is a side view of the invention.
FIG. 6 is another side view of the invention.
FIG. 7 is a top view of the invention; and,
FIG. 8 is a bottom view of the invention.
The broken lines showing a mobile device or portion thereof form no part of the claimed design.

1 Claim, 6 Drawing Sheets



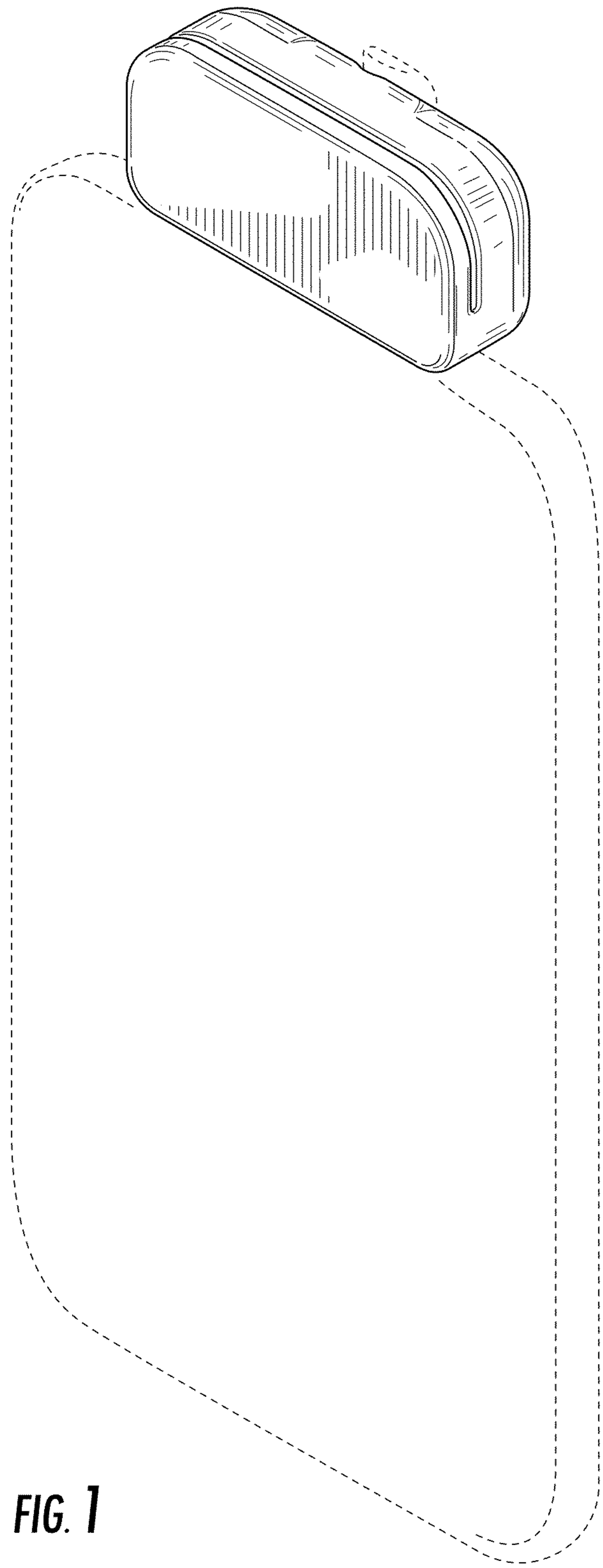


FIG. 1

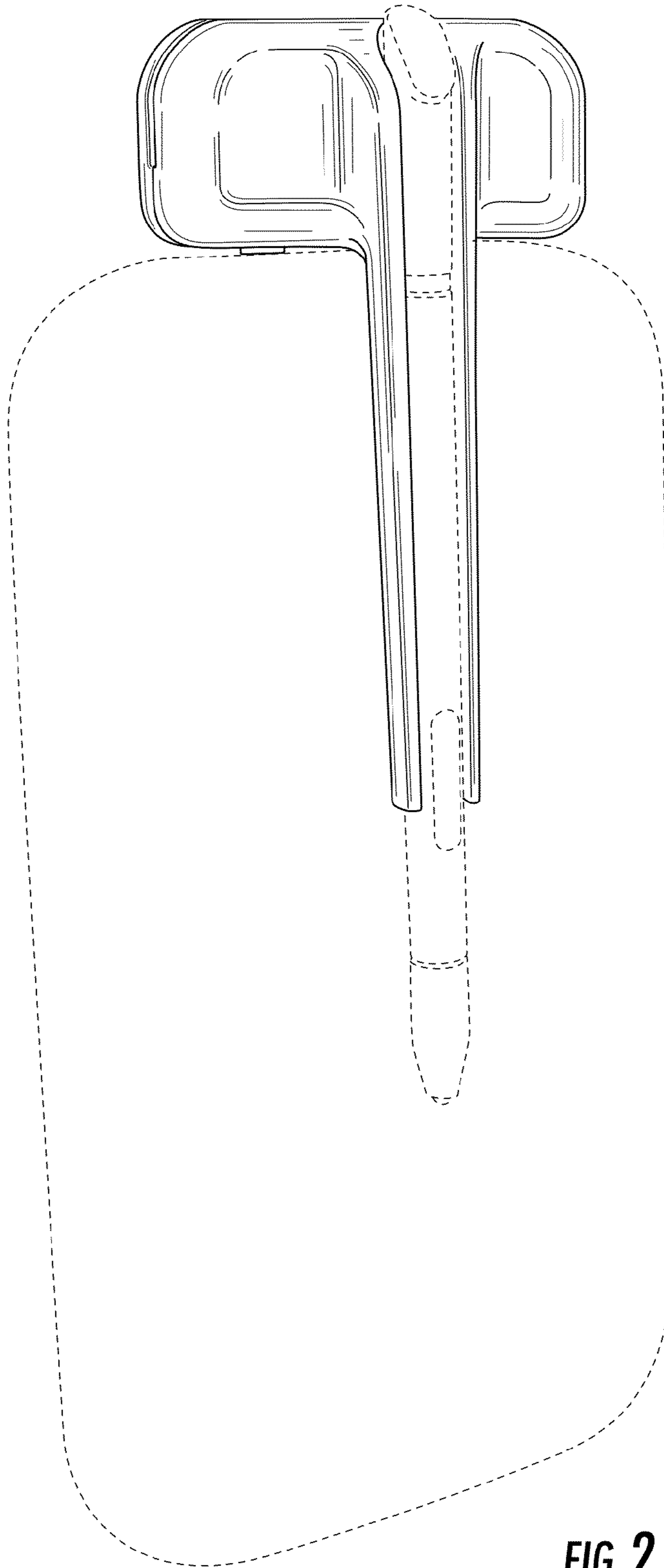


FIG. 2



FIG. 3

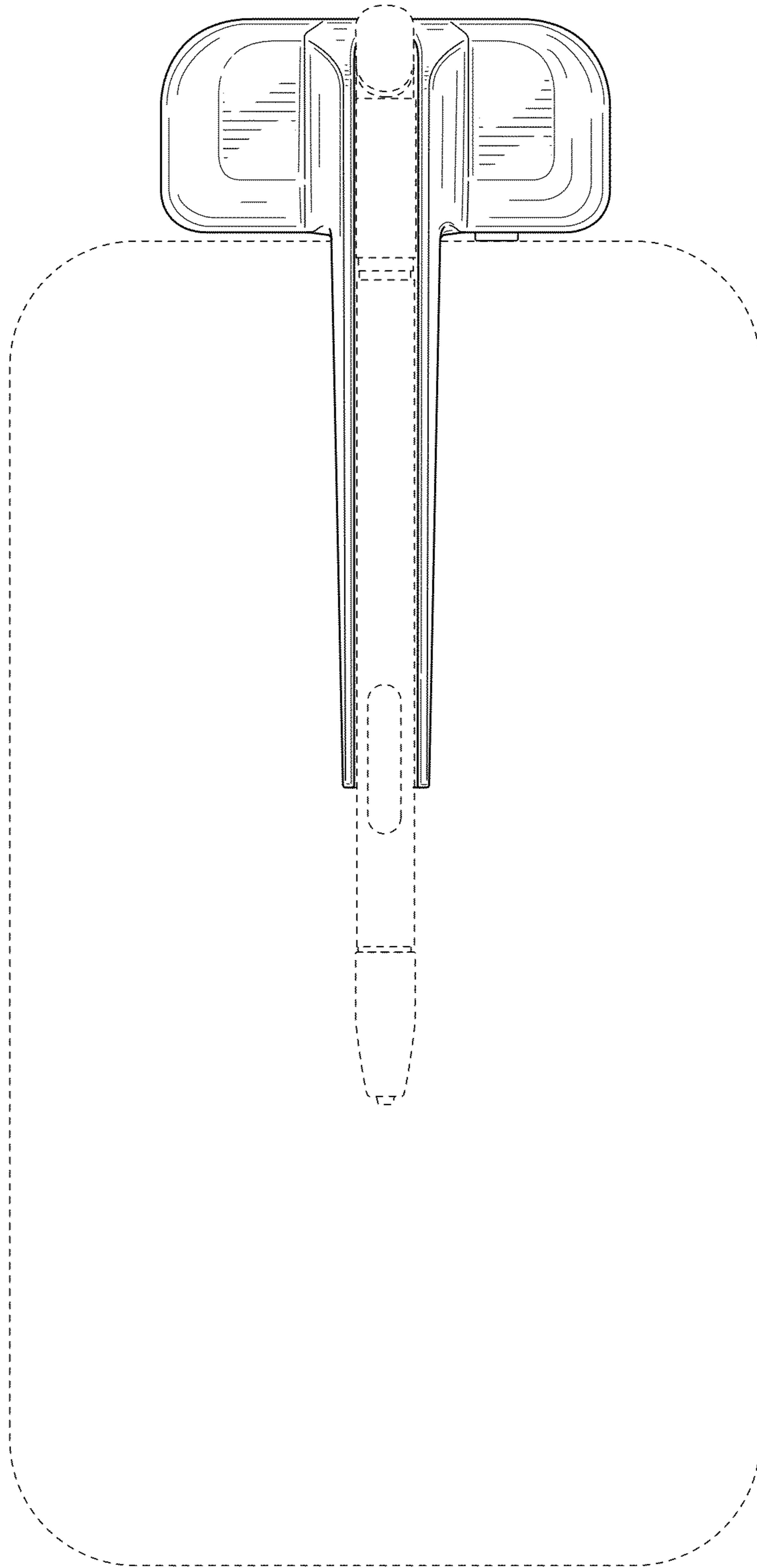


FIG. 4

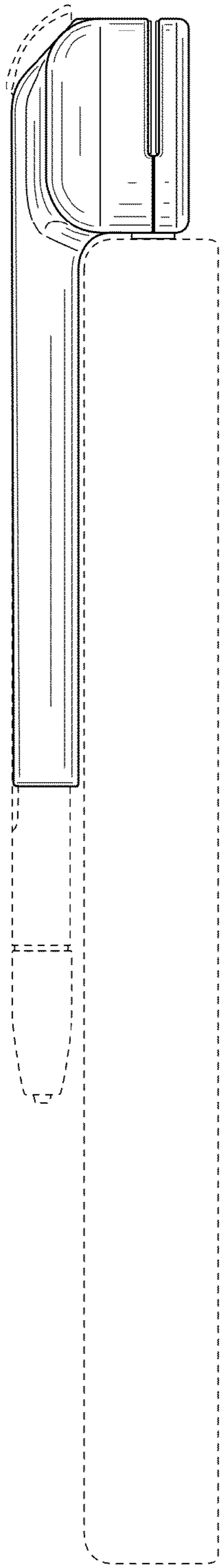


FIG. 5

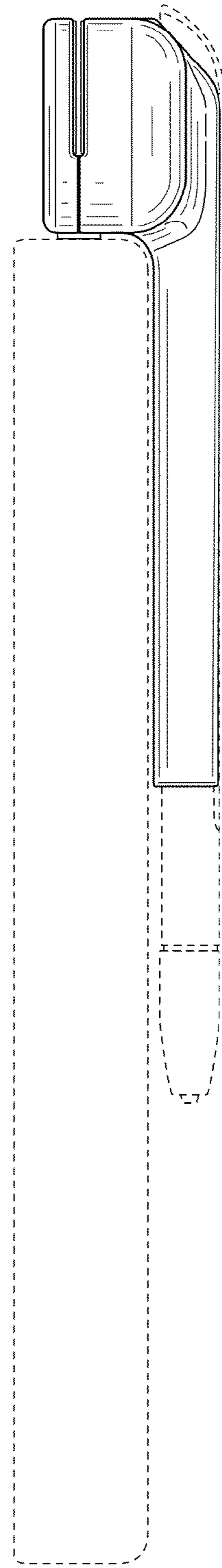


FIG. 6

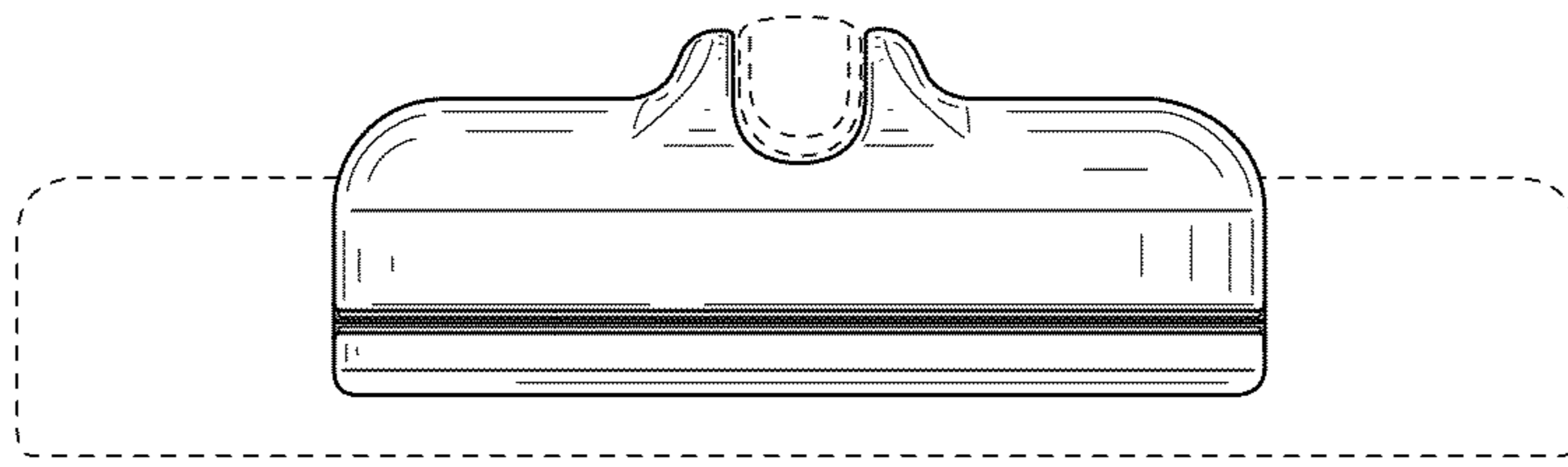


FIG. 7

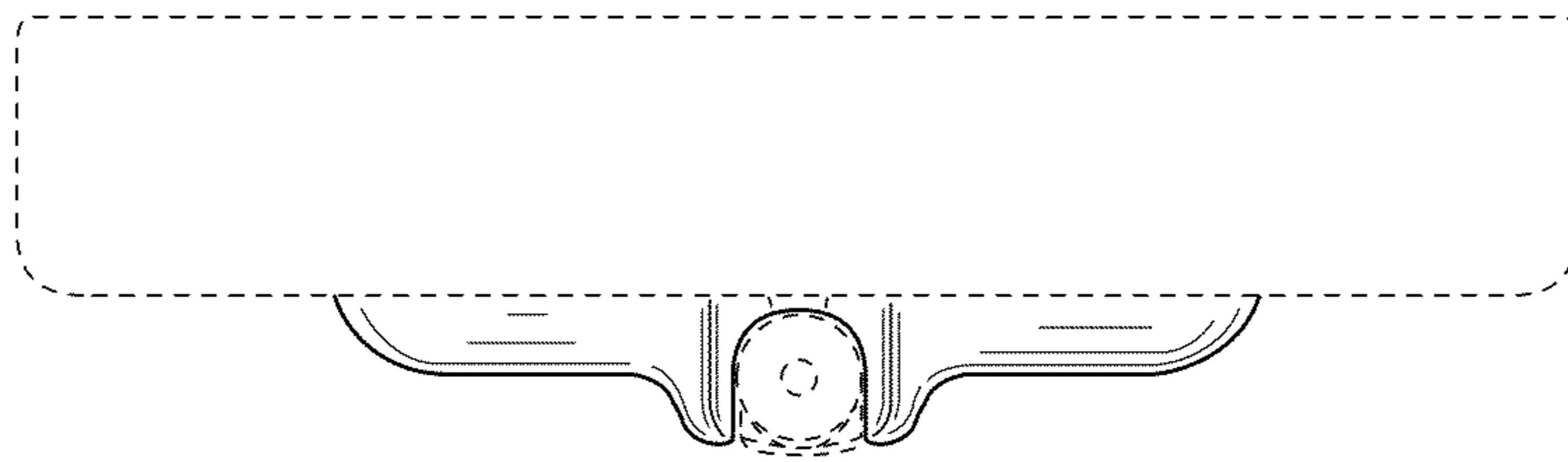


FIG. 8