



US00D729800S

(12) **United States Design Patent**
Kitano et al.

(10) **Patent No.:** **US D729,800 S**
(45) **Date of Patent:** **** May 19, 2015**

- (54) **SENSOR FOR ELECTRONIC PEN**
- (71) Applicant: **NEC DISPLAY SOLUTIONS, LTD.**,
Tokyo (JP)
- (72) Inventors: **Yasuhiro Kitano**, Tokyo (JP); **Takayuki Okamoto**, Tokyo (JP); **Takeshi Katou**, Tokyo (JP)
- (73) Assignee: **NEC DISPLAY SOLUTIONS, LTD.**,
Tokyo (JP)
- (**) Term: **14 Years**
- (21) Appl. No.: **29/436,998**
- (22) Filed: **Nov. 12, 2012**
- (30) **Foreign Application Priority Data**

May 10, 2012 (JP) 2012-010933

- (51) **LOC (10) Cl.** **14-02**
- (52) **U.S. Cl.**
USPC **D14/383**
- (58) **Field of Classification Search**
USPC D14/302-307, 900-902, 336, 371, 383;
D13/163; D20/10; D18/4.1, 4.4, 4.6;
D99/28; 194/206; 361/679.01, 679.02,
361/679.04, 679.21, 679.57, 725; 235/386,
235/51; 705/12
See application file for complete search history.

- (56) **References Cited**
U.S. PATENT DOCUMENTS
D365,340 S * 12/1995 Hill et al. D14/356
D478,086 S * 8/2003 Chuang D14/433

- D501,485 S * 2/2005 Lian et al. D14/203.3
- D559,848 S * 1/2008 Siu D14/433
- D585,306 S * 1/2009 Oas D10/2
- D587,706 S * 3/2009 Maiers et al. D14/356
- D609,076 S * 2/2010 Stevenson et al. D8/330
- D616,439 S * 5/2010 Mugica et al. D14/383
- D631,880 S * 2/2011 Hirota D14/383
- D678,286 S * 3/2013 Cheng D14/433
- D705,189 S * 5/2014 Chovin et al. D14/159
- D711,884 S * 8/2014 Turksu et al. D14/433
- 2006/0258196 A1 * 11/2006 Chen et al. 439/141

* cited by examiner

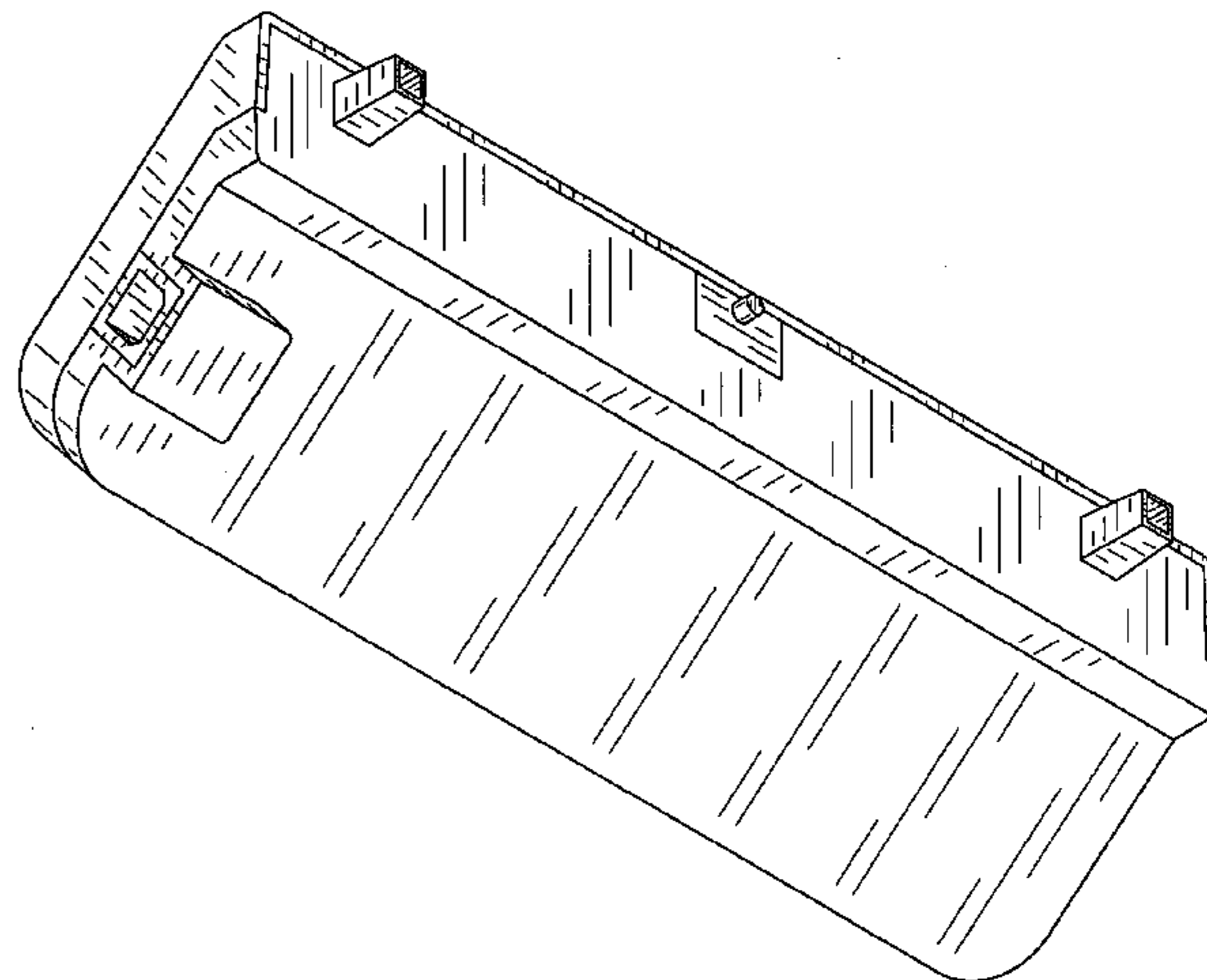
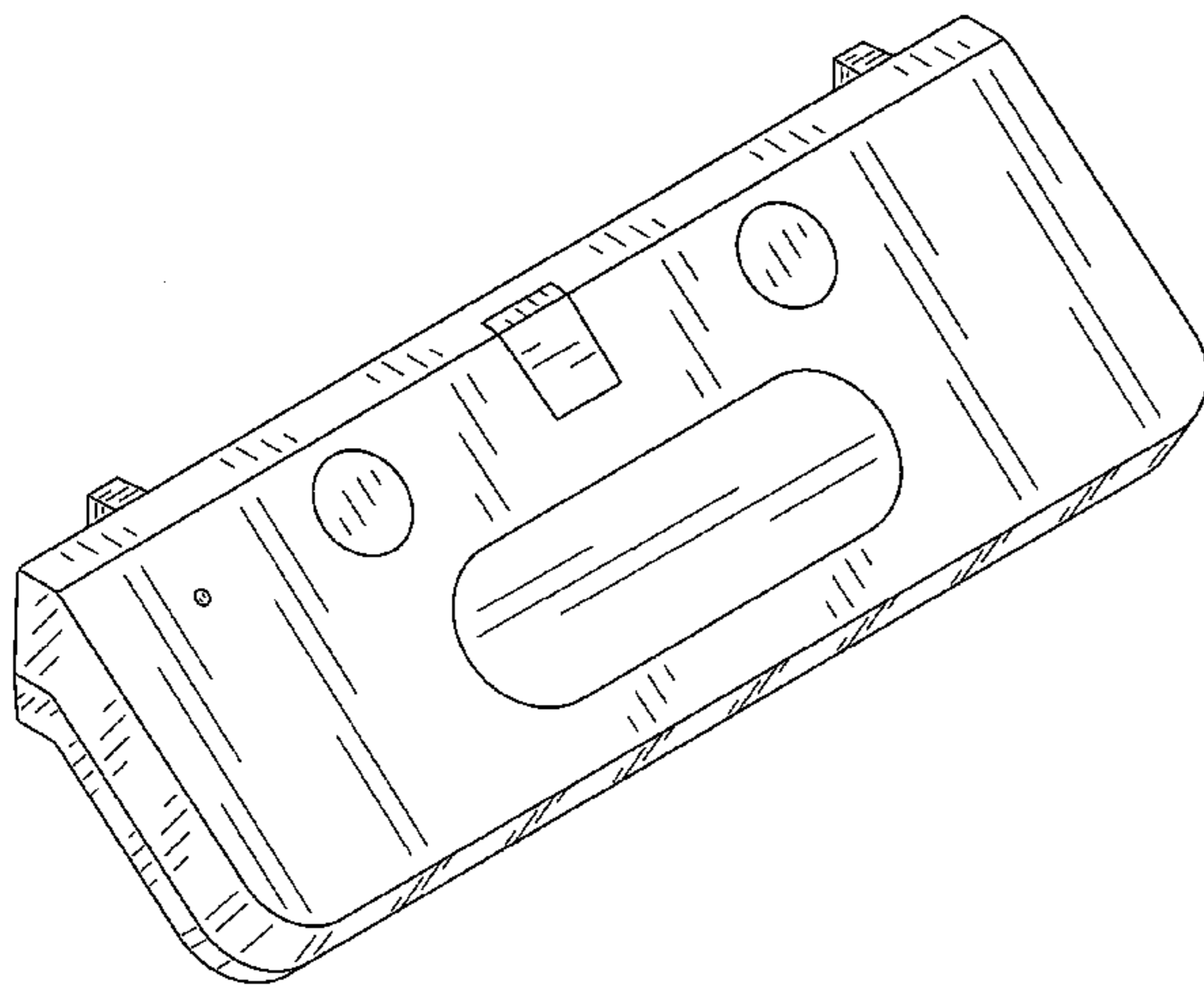
Primary Examiner — Austin Murphy
(74) *Attorney, Agent, or Firm* — Sughrue Mion, PLLC

(57) **CLAIM**
The ornamental design for a sensor for electronic pen, as shown and described.

DESCRIPTION

FIG. 1 is a front, left side, top perspective view of a sensor for electronic pen showing our new design;
 FIG. 2 is a rear, right side, bottom perspective view thereof;
 FIG. 3 is a front elevational view thereof;
 FIG. 4 is a rear elevational view thereof;
 FIG. 5 is a left side view thereof;
 FIG. 6 is a right side view thereof;
 FIG. 7 is a top plan view thereof;
 FIG. 8 is a bottom plan view thereof; and,
 FIG. 9 is a reference view thereof, showing a state in which this article is used.
 The portions in broken lines are shown for illustrative purposes only and form no part of the claimed design.

1 Claim, 6 Drawing Sheets



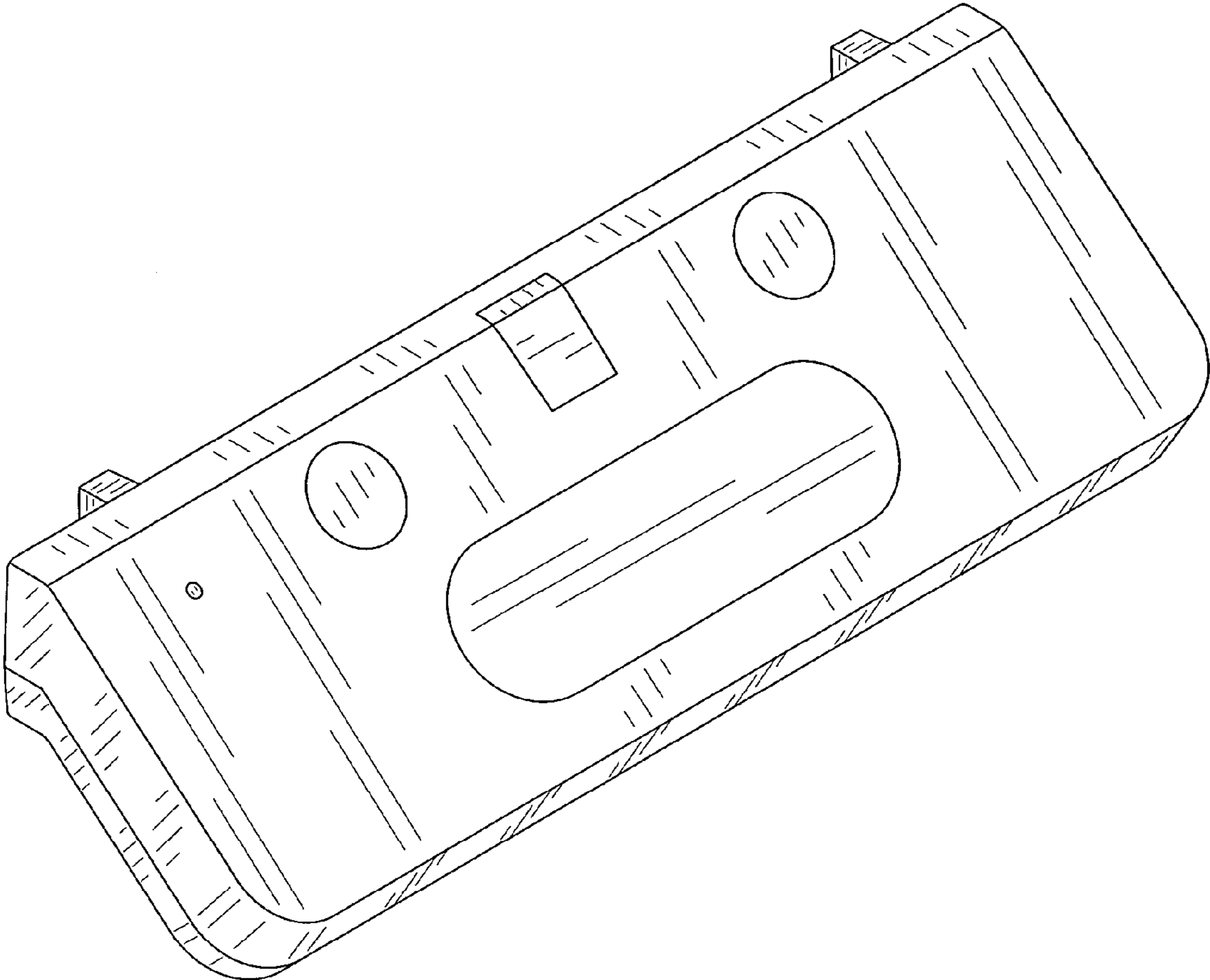


FIG. 1

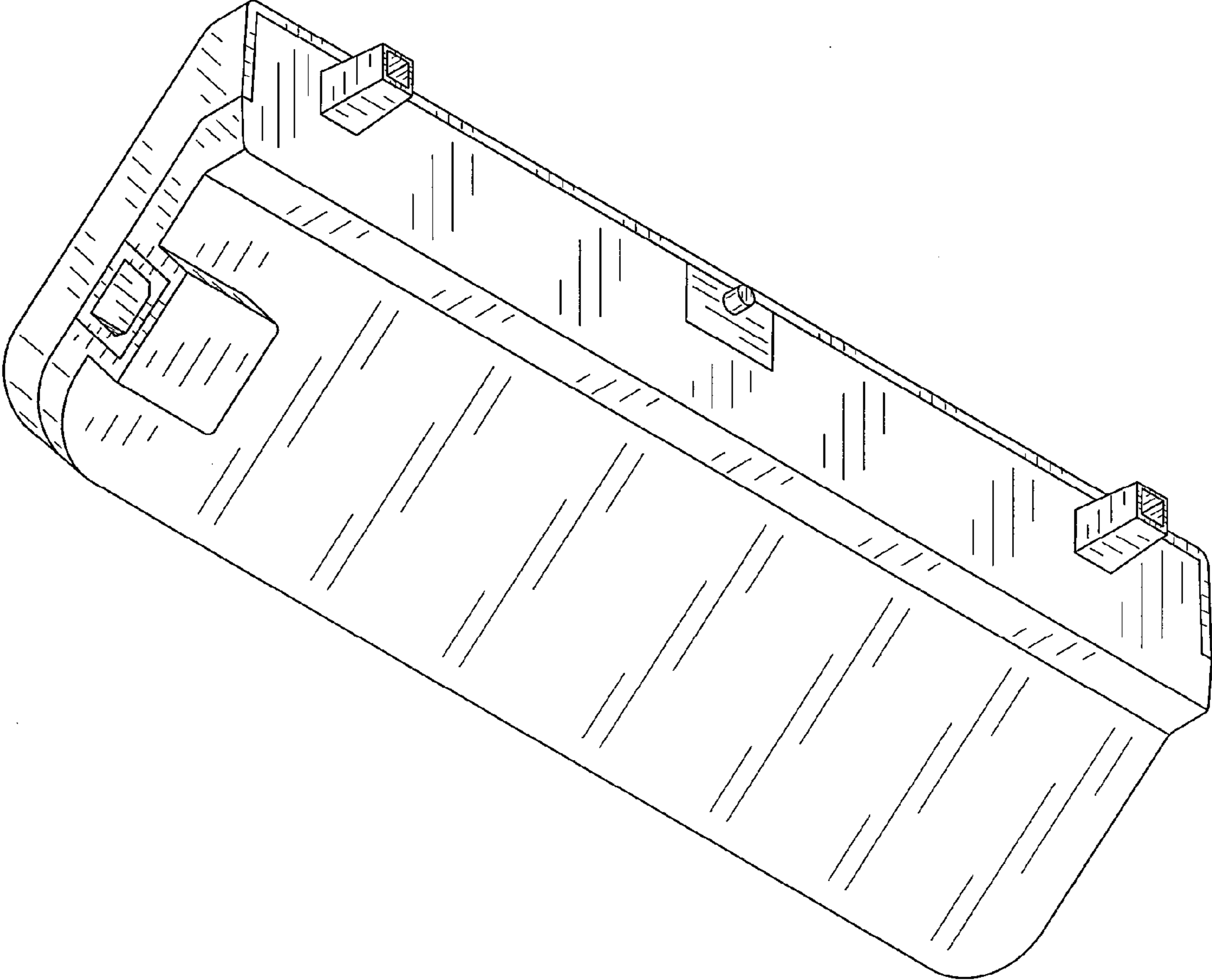


FIG. 2

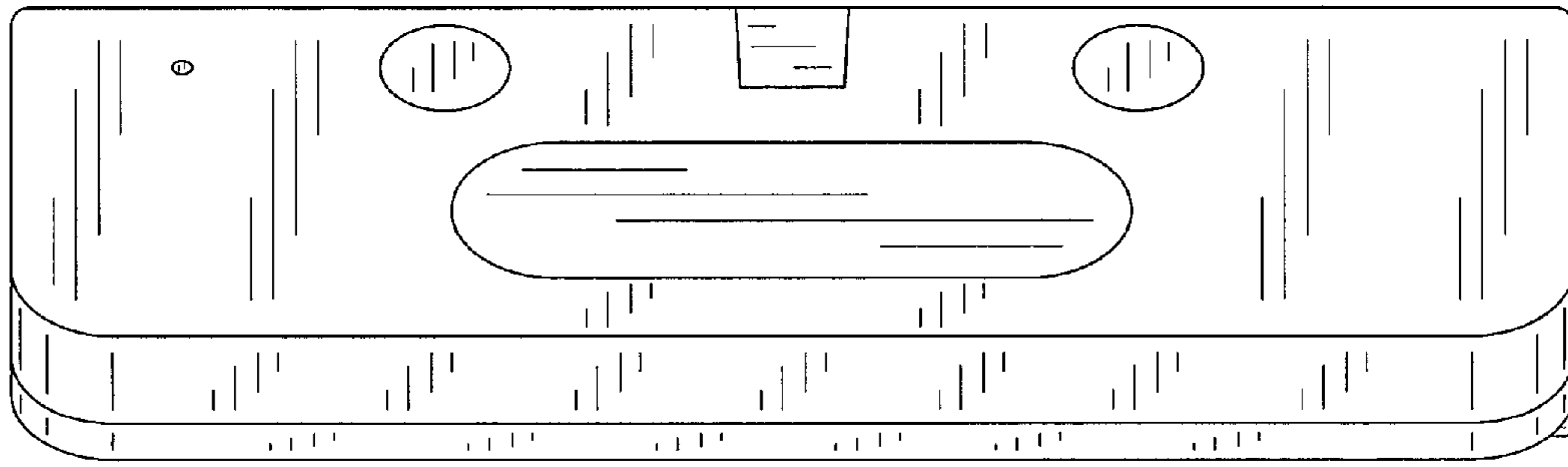


FIG. 3

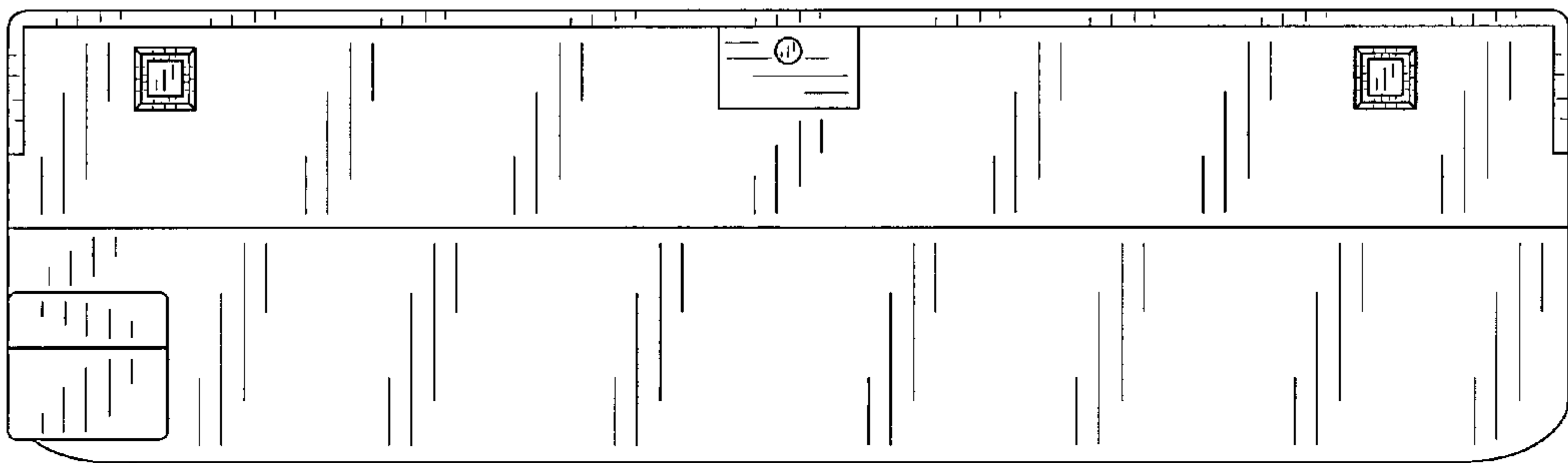


FIG. 4

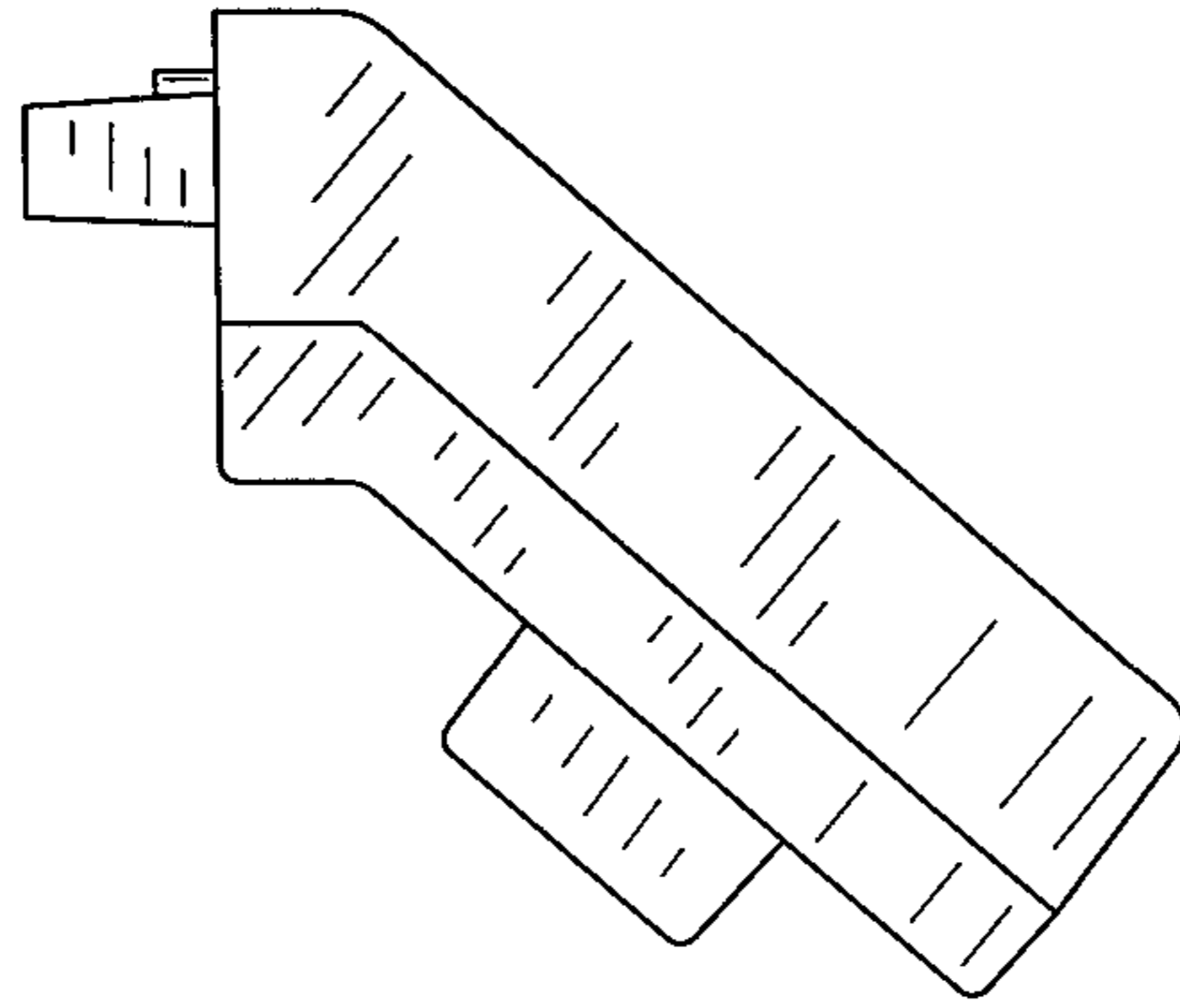


FIG. 5

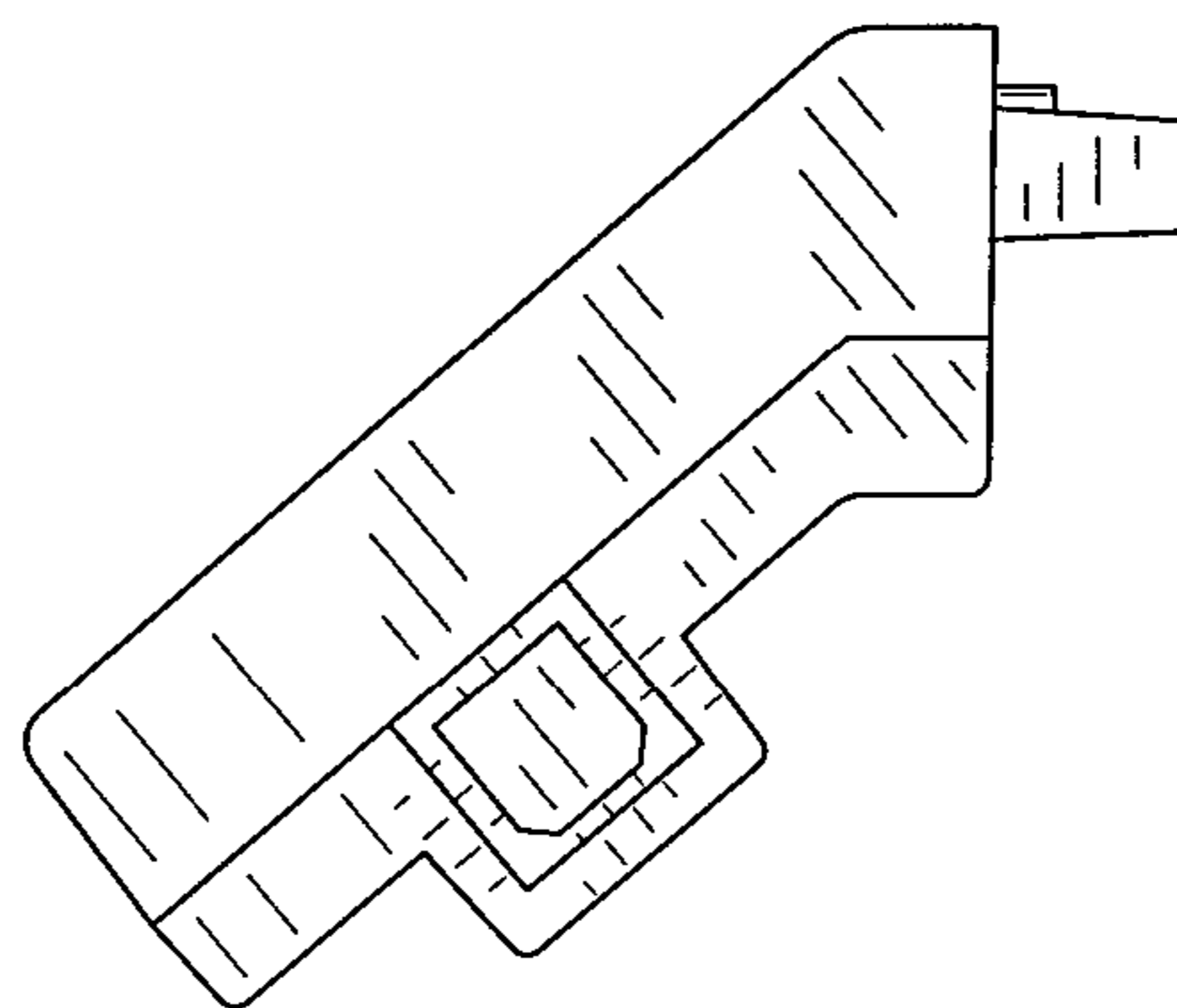


FIG. 6

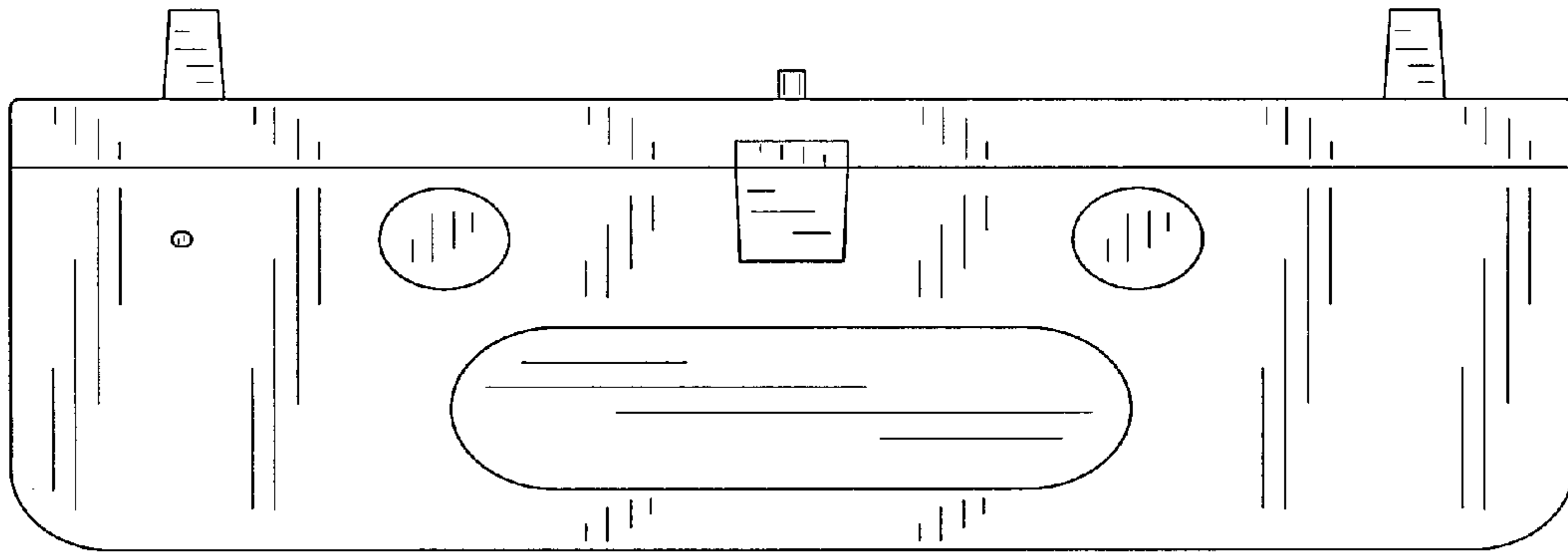


FIG. 7

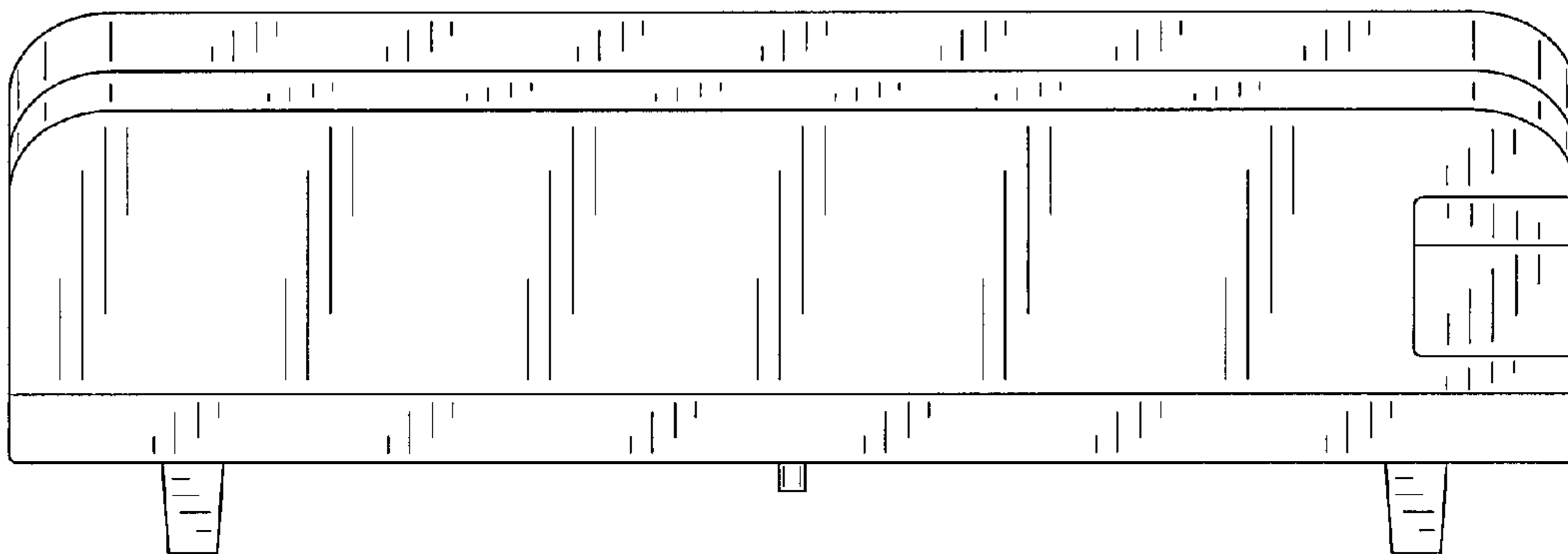


FIG. 8

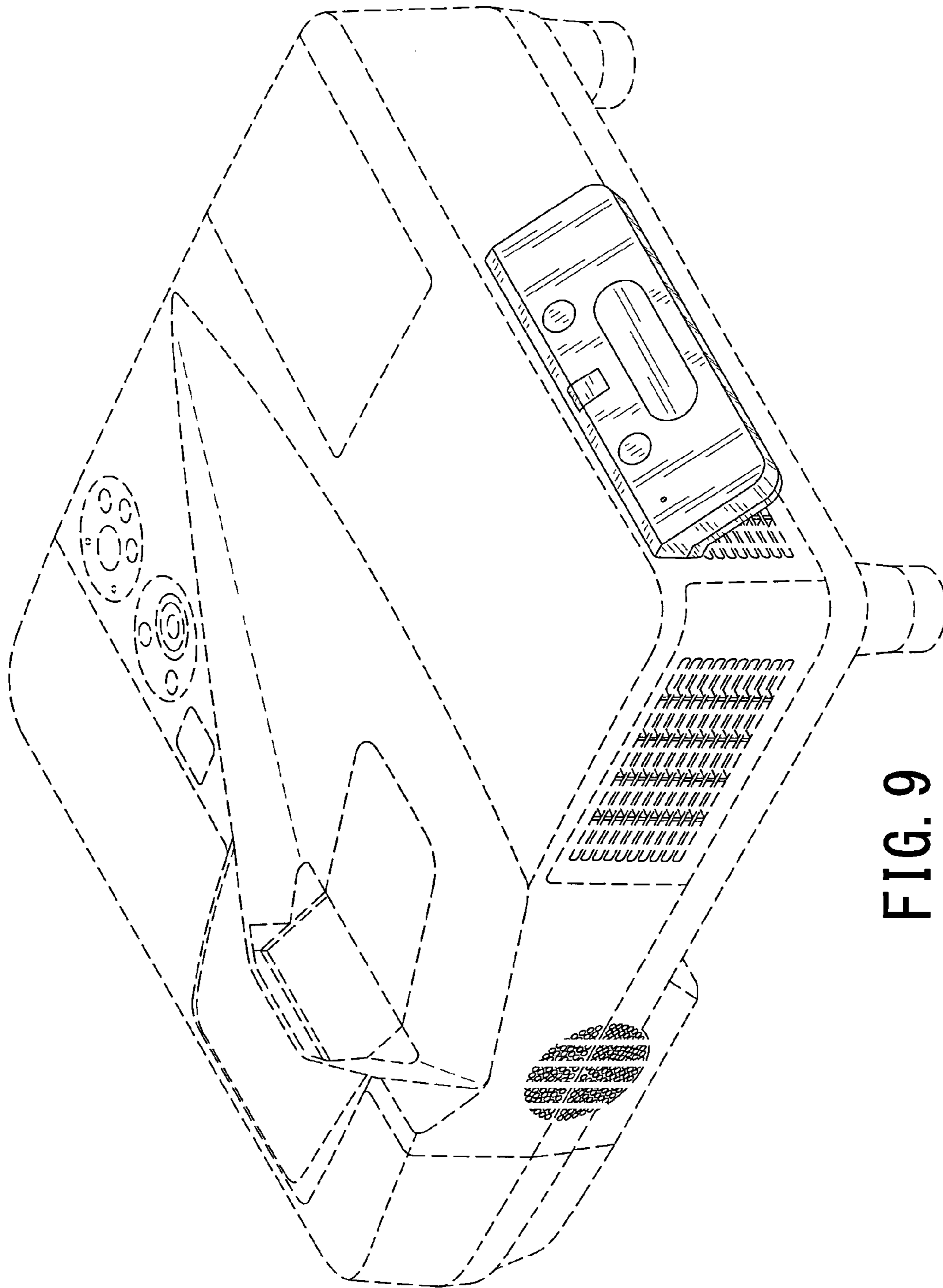


FIG. 9