



US00D729799S

(12) **United States Design Patent**
Jung et al.

(10) **Patent No.:** **US D729,799 S**
(45) **Date of Patent:** **** May 19, 2015**

(54) **DISPLAY MONITOR**

(71) Applicant: **Samsung Electronics Co., Ltd.**,
Suwon-si (KR)

(72) Inventors: **Daehun Jung**, Seoul (KR); **Yong-Joo Lee**, Seoul (KR)

(73) Assignee: **Samsung Electronics Co., Ltd.**,
Suwon-si (KR)

(**) Term: **14 Years**

(21) Appl. No.: **29/483,140**

(22) Filed: **Feb. 26, 2014**

(30) **Foreign Application Priority Data**

Sep. 4, 2013 (KR) 30-2013-0045674

(51) **LOC (10) Cl.** **14-02**

(52) **U.S. Cl.**
USPC **D14/374**

(58) **Field of Classification Search**

USPC D14/371-375, 125-129, 336, 337;
341/12; 345/104, 156, 168, 173;
348/180, 184, 325, 739; 349/1, 2, 11,
349/62; 361/679.05-679.07, 679.21;
D6/300, 308

See application file for complete search history.

(56) **References Cited**

U.S. PATENT DOCUMENTS

D648,336 S *	11/2011	Yagi	D14/374
D667,827 S *	9/2012	Park et al.	D14/374
D669,076 S *	10/2012	Haller	D14/374
D694,210 S *	11/2013	Fujii et al.	D14/126
2005/0041379 A1 *	2/2005	Jang	361/681

* cited by examiner

Primary Examiner — Freda S Nunn

(74) *Attorney, Agent, or Firm* — NSIP Law

(57) **CLAIM**

We claim the ornamental design for a display monitor, as shown and described.

DESCRIPTION

FIG. 1 is a front perspective view of a display monitor showing our new design;

FIG. 2 is a front view thereof;

FIG. 3 is a rear view thereof;

FIG. 4 is a left-side view thereof;

FIG. 5 is a right-side view thereof;

FIG. 6 is a top view thereof;

FIG. 7 is a bottom view thereof;

FIG. 8 is a rear perspective view thereof;

FIG. 9 is another front view, in which the display monitor is provided in an alternate position to illustrate an example embodiment; and,

FIG. 10 is a rear perspective view of FIG. 9.

The broken lines in the figures show portions of the display monitor which form no part of the claimed design.

1 Claim, 10 Drawing Sheets

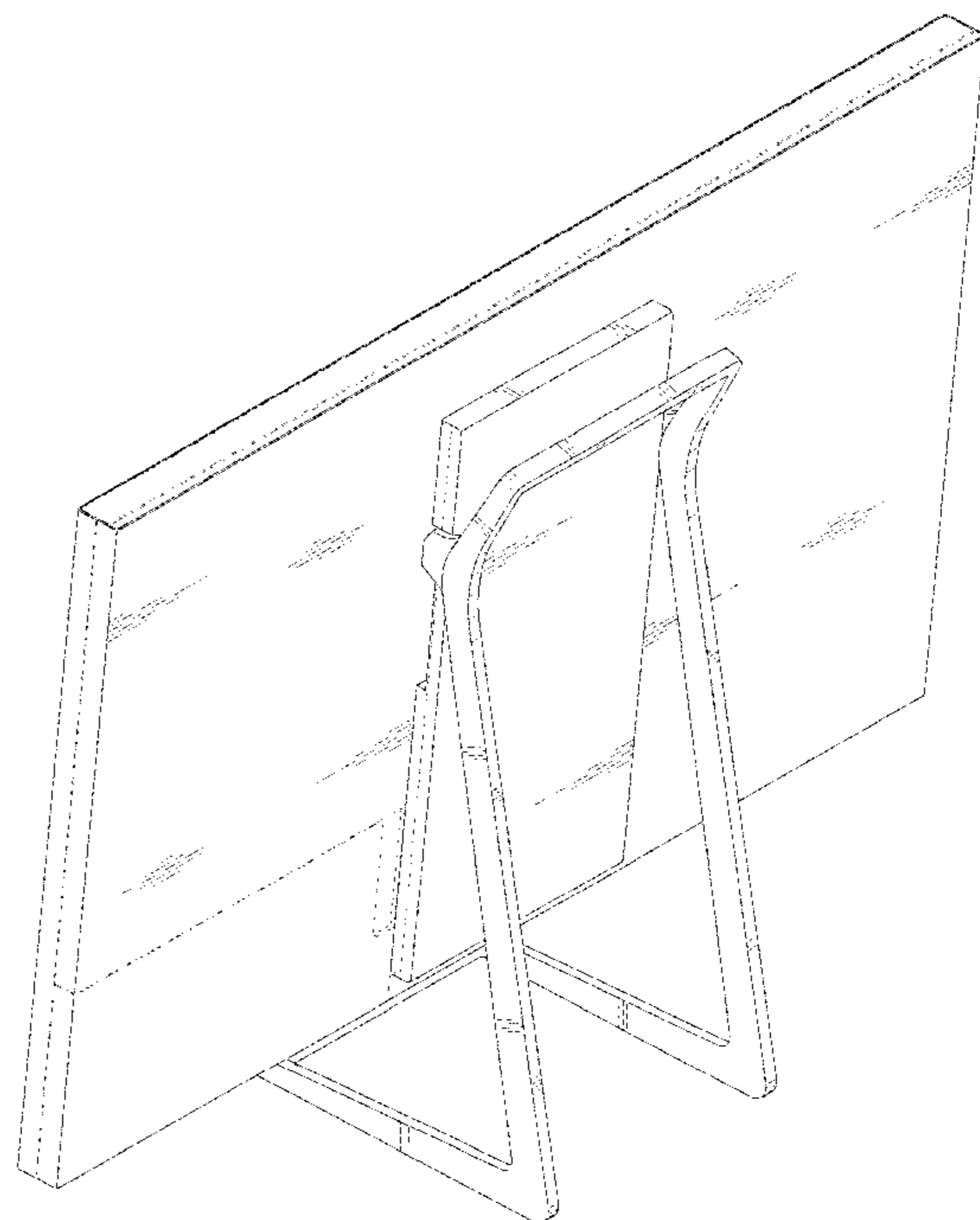
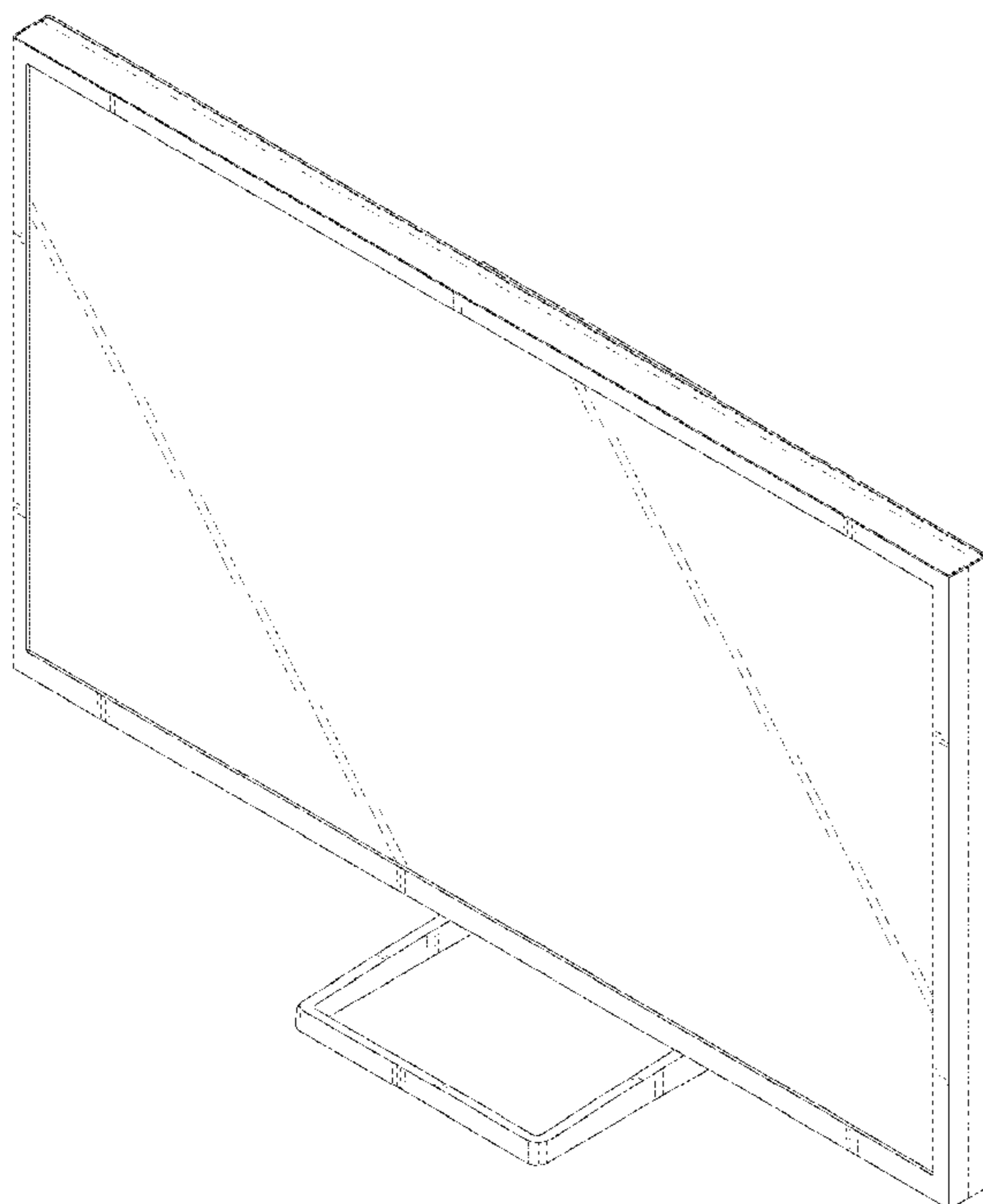


FIG. 1

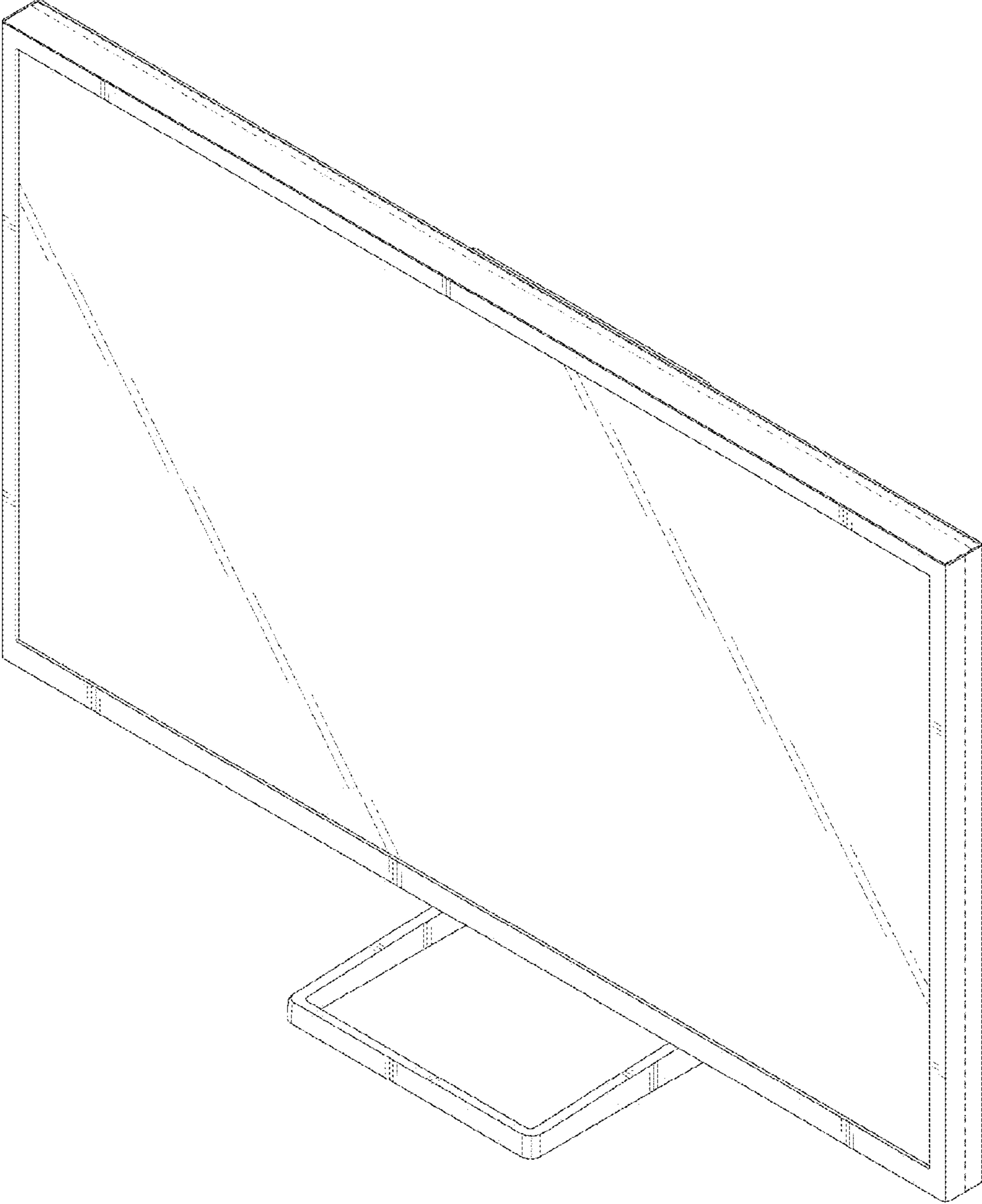


FIG. 2

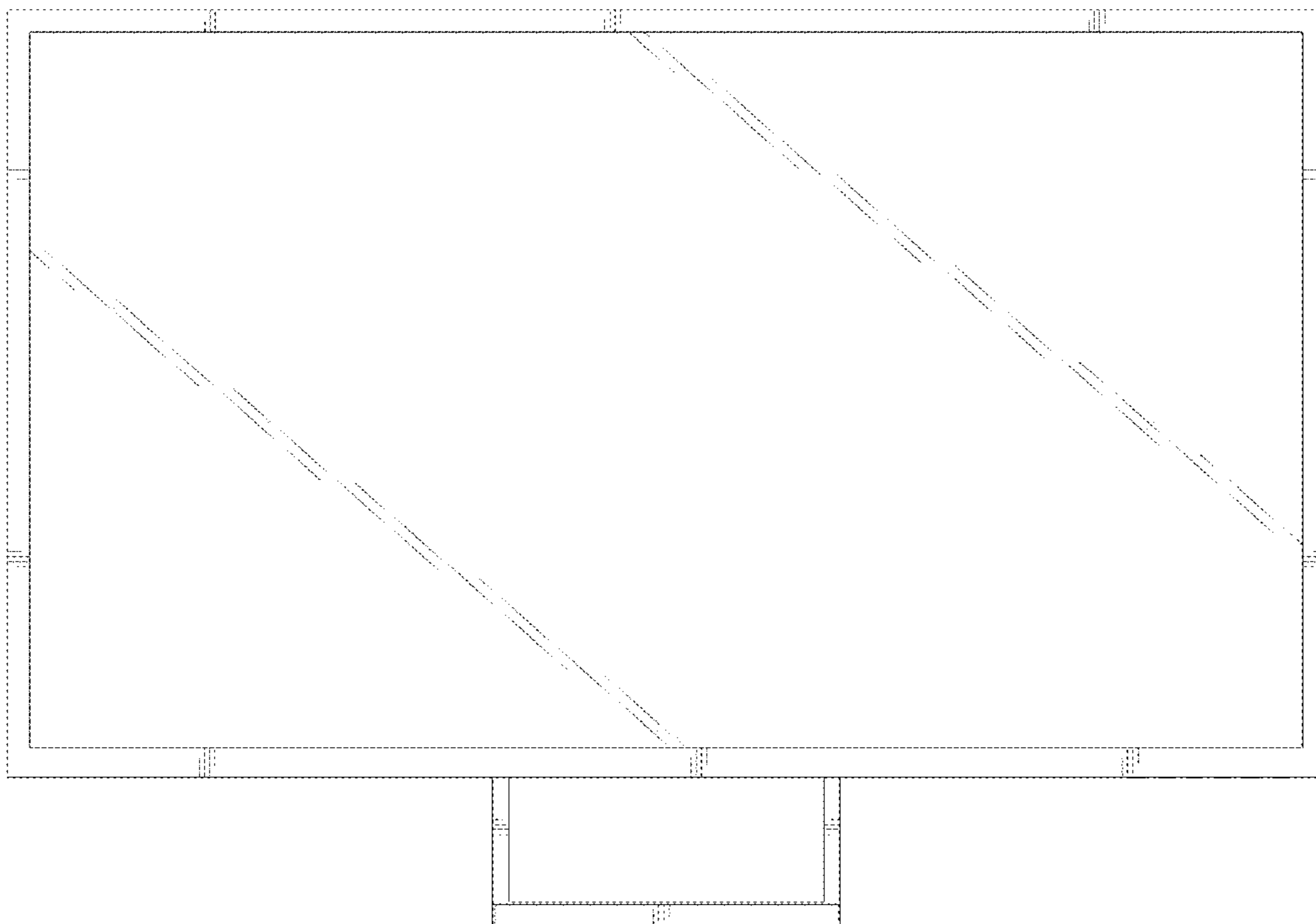


FIG. 3

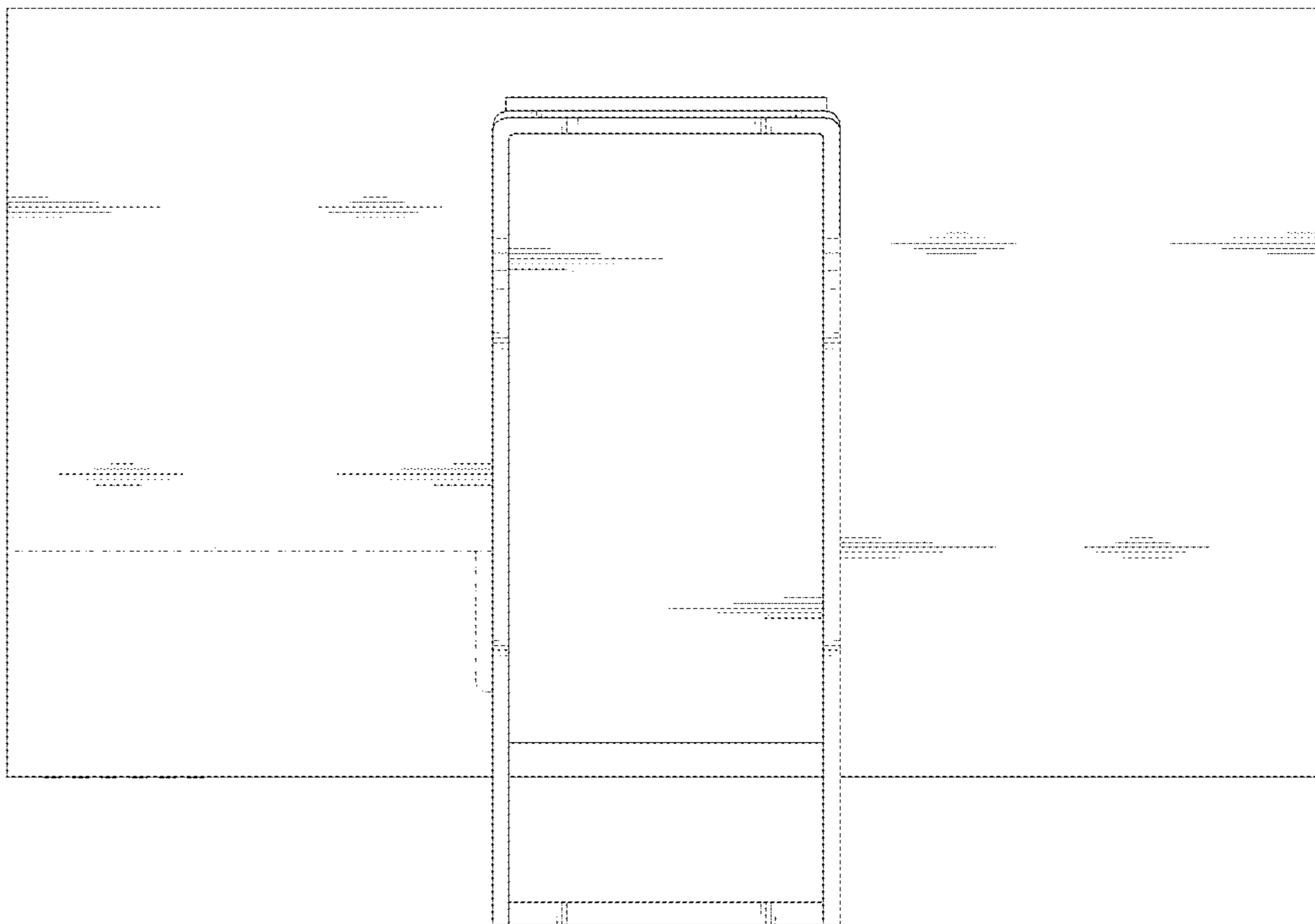


FIG. 4

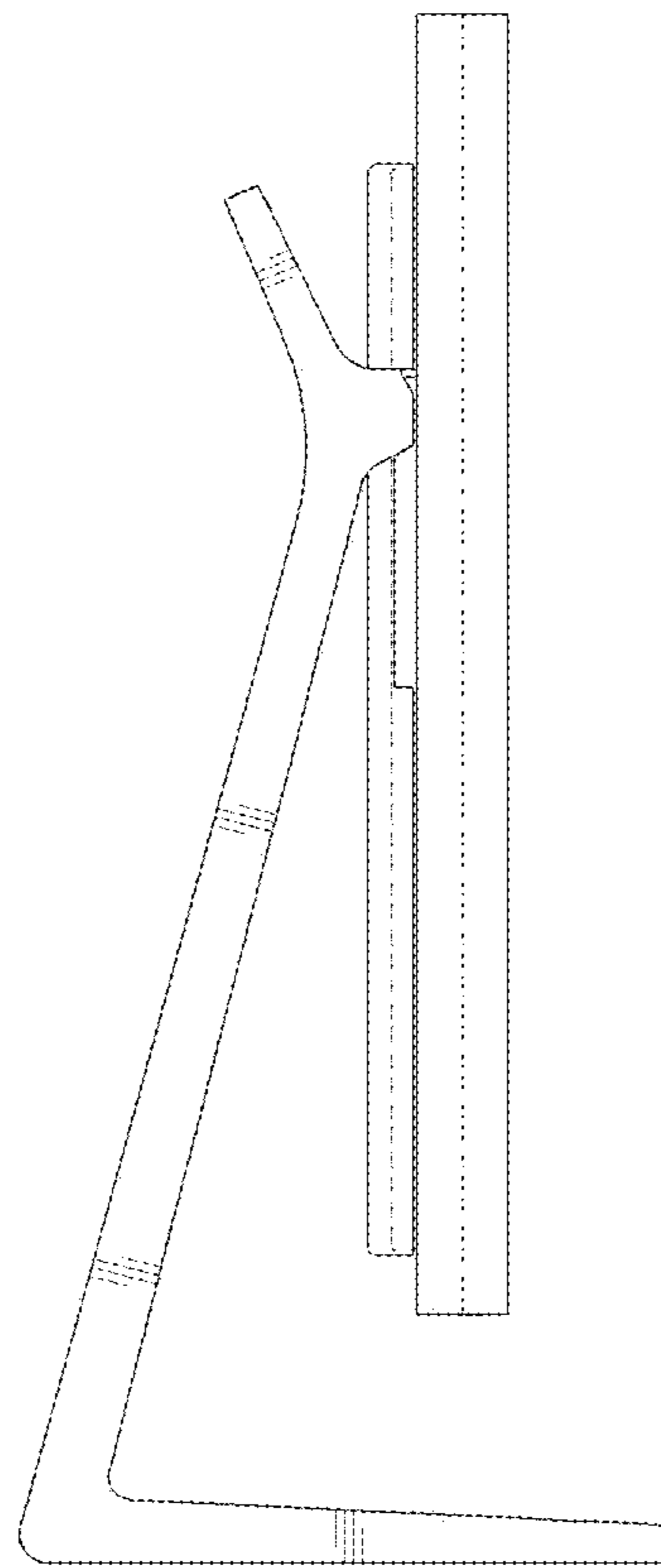


FIG. 5

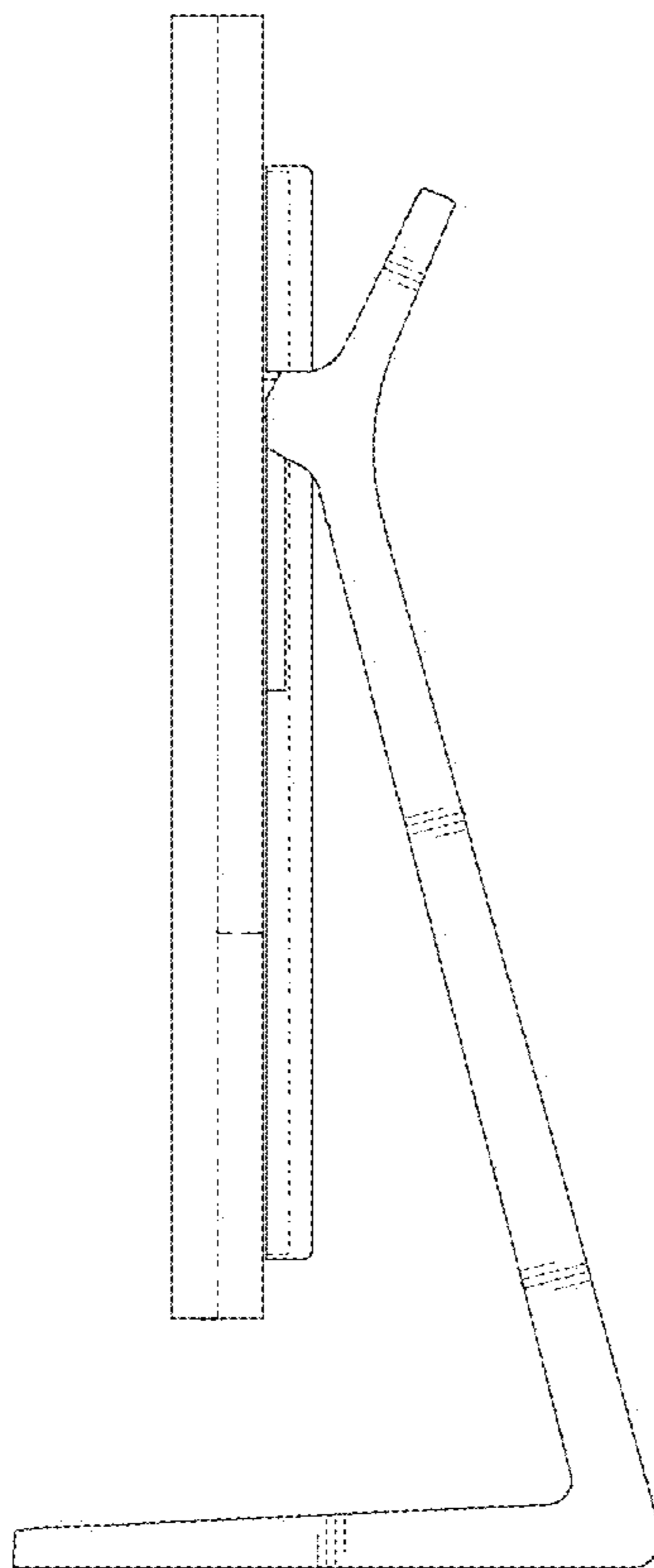


FIG. 6

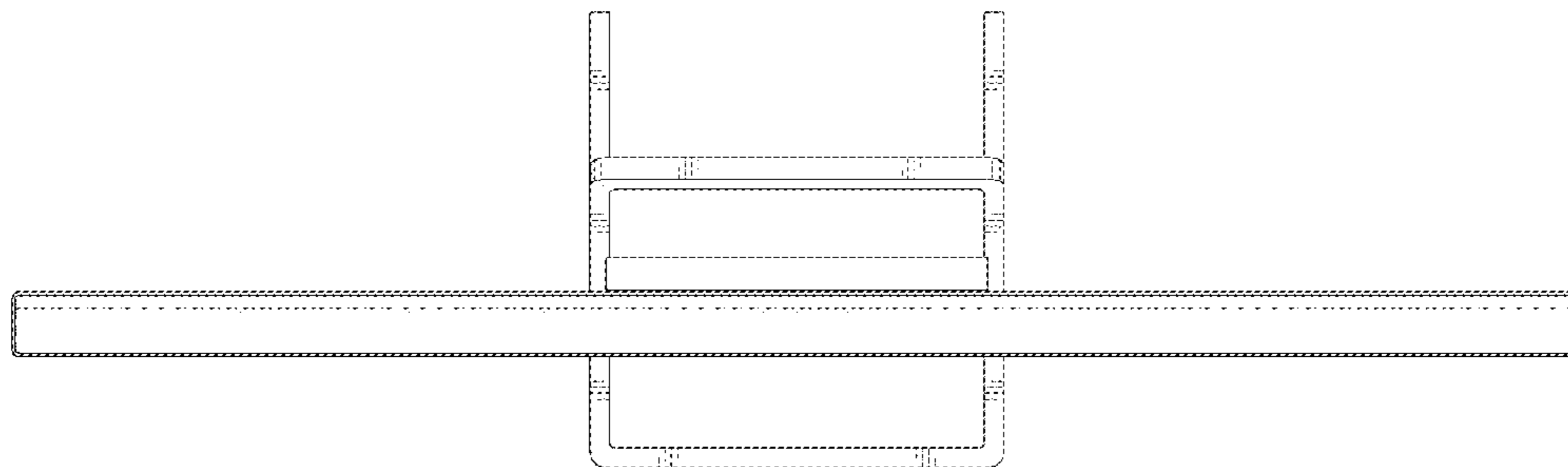


FIG. 7

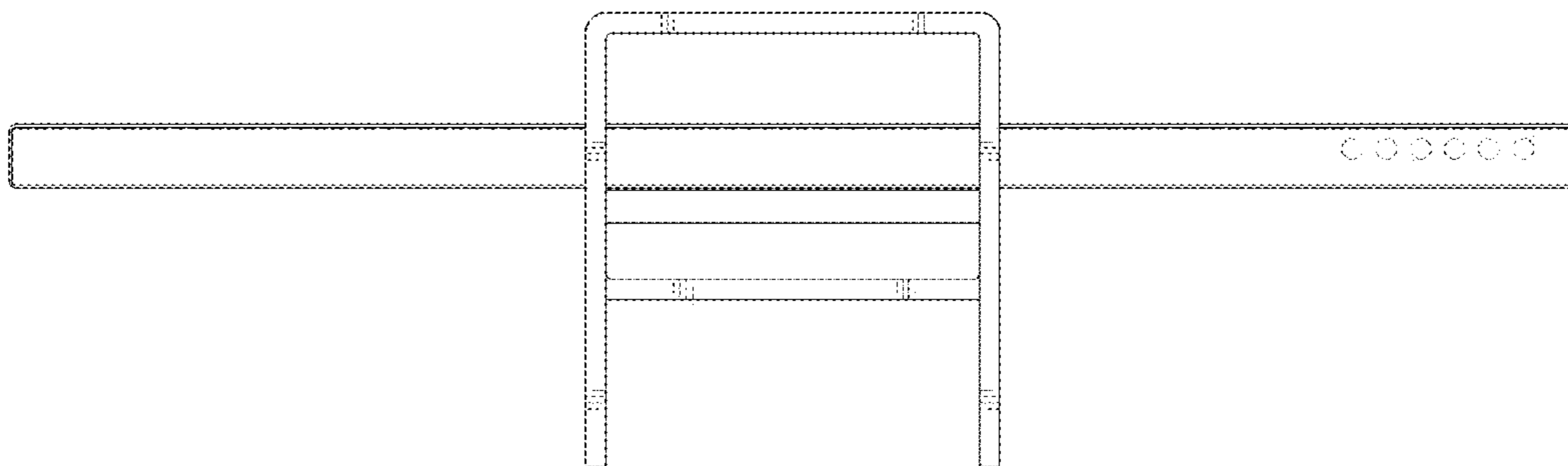


FIG. 8

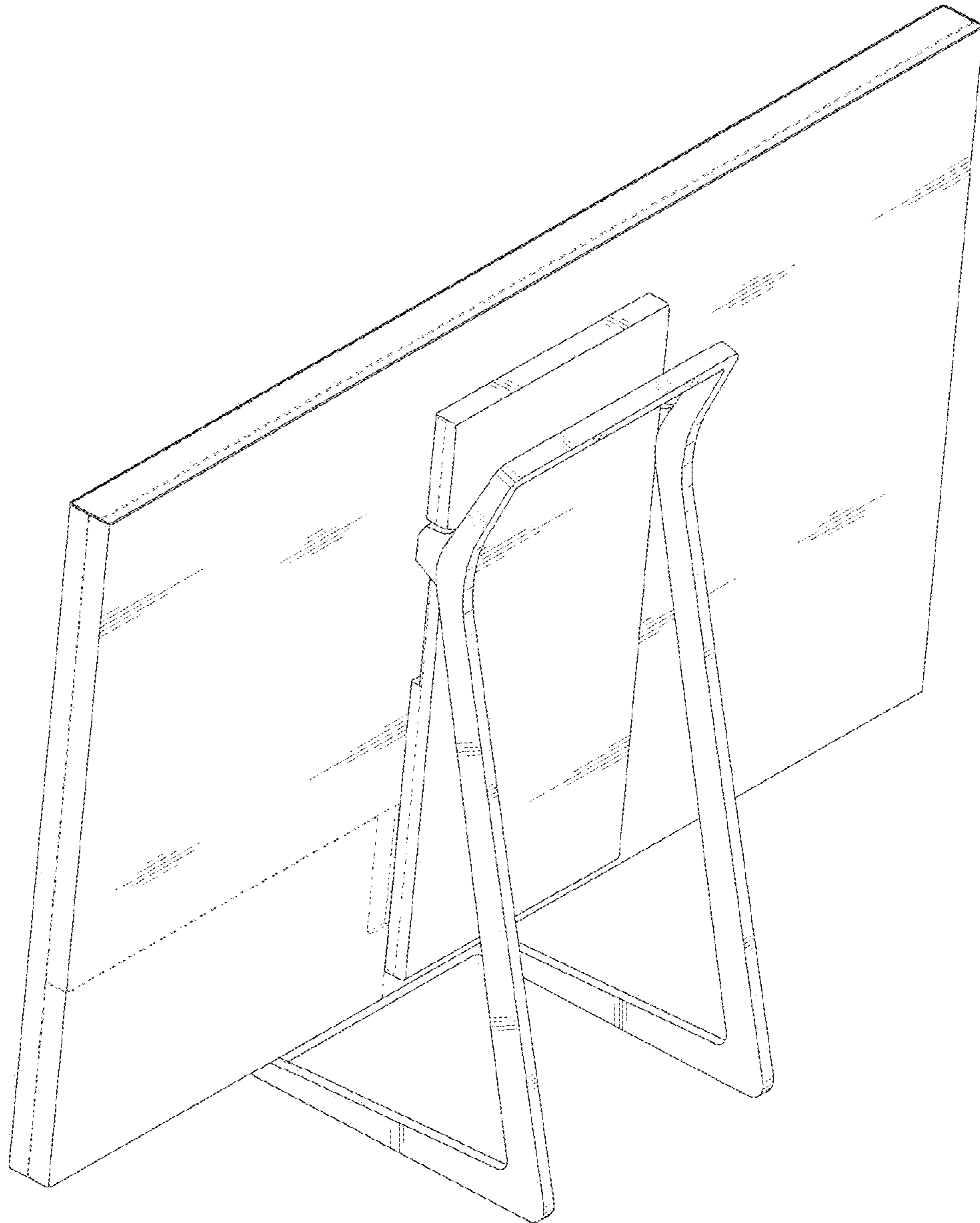


FIG. 9

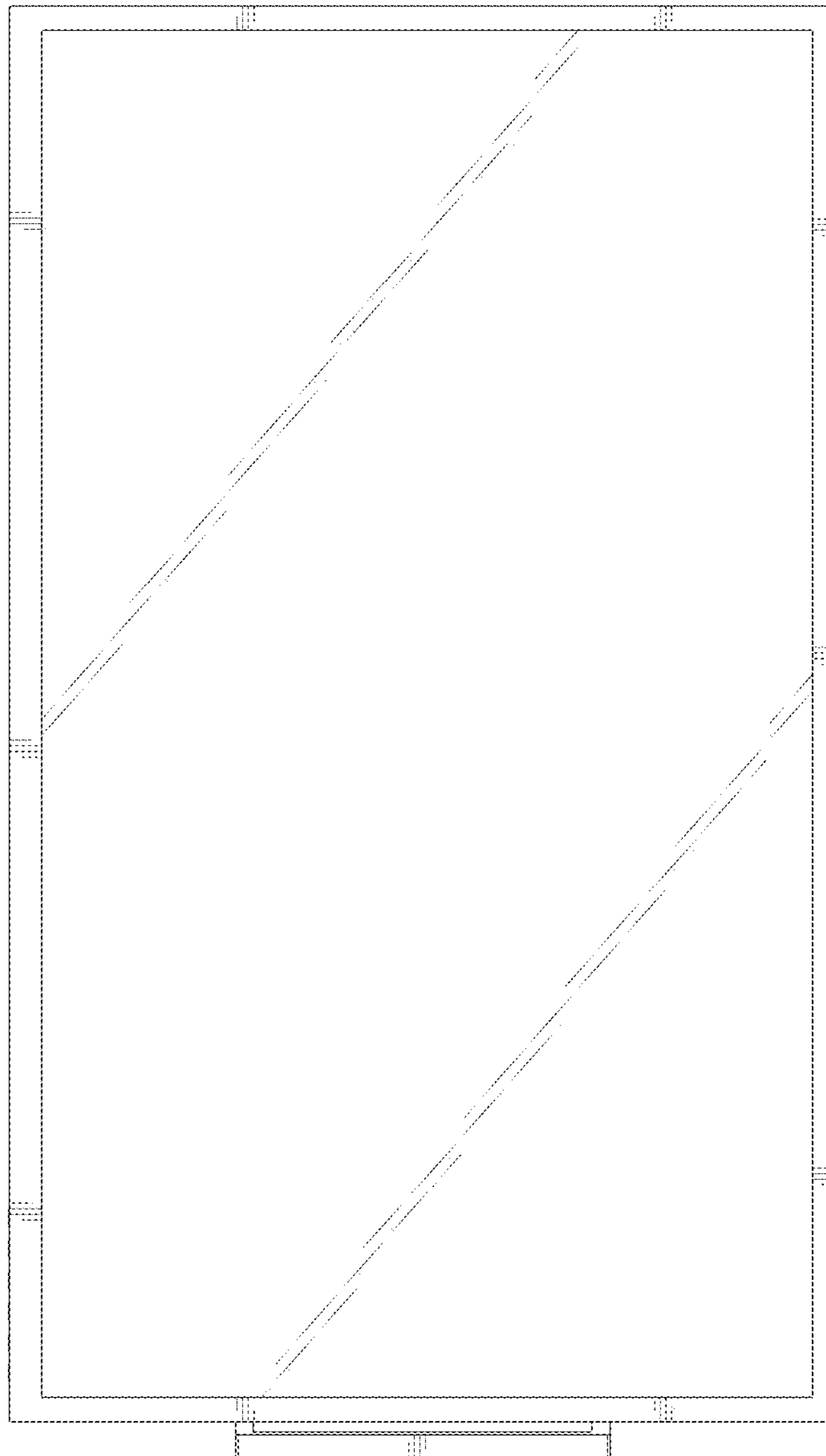


FIG. 10

