



US00D729797S

(12) **United States Design Patent**
Hickok et al.

(10) **Patent No.:** **US D729,797 S**
(45) **Date of Patent:** **** May 19, 2015**

(54) **ELECTRONIC DISPLAY MOUNTED TO A WALL**

D545,820 S 7/2007 Won et al.
D578,131 S * 10/2008 Horito et al. D14/450
D597,980 S * 8/2009 Vitito D14/129
D627,777 S 11/2010 Akana et al.

(71) Applicant: **ABL IP Holding, LLC**, Conyers, GA (US)

(Continued)

(72) Inventors: **John T. Hickok**, Social Circle, GA (US);
Troy T. Miller, Cumming, GA (US);
Mark Norton, Covington, GA (US);
Richard L. Westrick, Jr., Social Circle, GA (US);
Erik Allen Holmen, Sarasota, FL (US);
Alexander Ali Hussain, Sarasota, FL (US);
Audwin W. Cash, Lilburn, GA (US)

FOREIGN PATENT DOCUMENTS

CA 133050 8/2010
CA 134954 11/2010

(Continued)

Primary Examiner — Freda S Nunn

(74) *Attorney, Agent, or Firm* — Kilpatrick Townsend & Stockton LLP

(73) Assignee: **ABL IP Holding LLC**, Conyers, GA (US)

(57) **CLAIM**

The ornamental design for an electronic display mounted to a wall, as shown and described.

(**) Term: **14 Years**

DESCRIPTION

(21) Appl. No.: **29/472,542**

(22) Filed: **Nov. 13, 2013**

(51) **LOC (10) Cl.** **14-02**

(52) **U.S. Cl.**
USPC **D14/371**; D14/126

(58) **Field of Classification Search**
USPC D14/371–375, 125–129, 336, 337;
341/12; 345/104, 156, 168, 173;
348/180, 184, 325, 739; 349/1, 2, 11,
349/62; 361/679.05–679.07, 679.21;
D6/300, 308

See application file for complete search history.

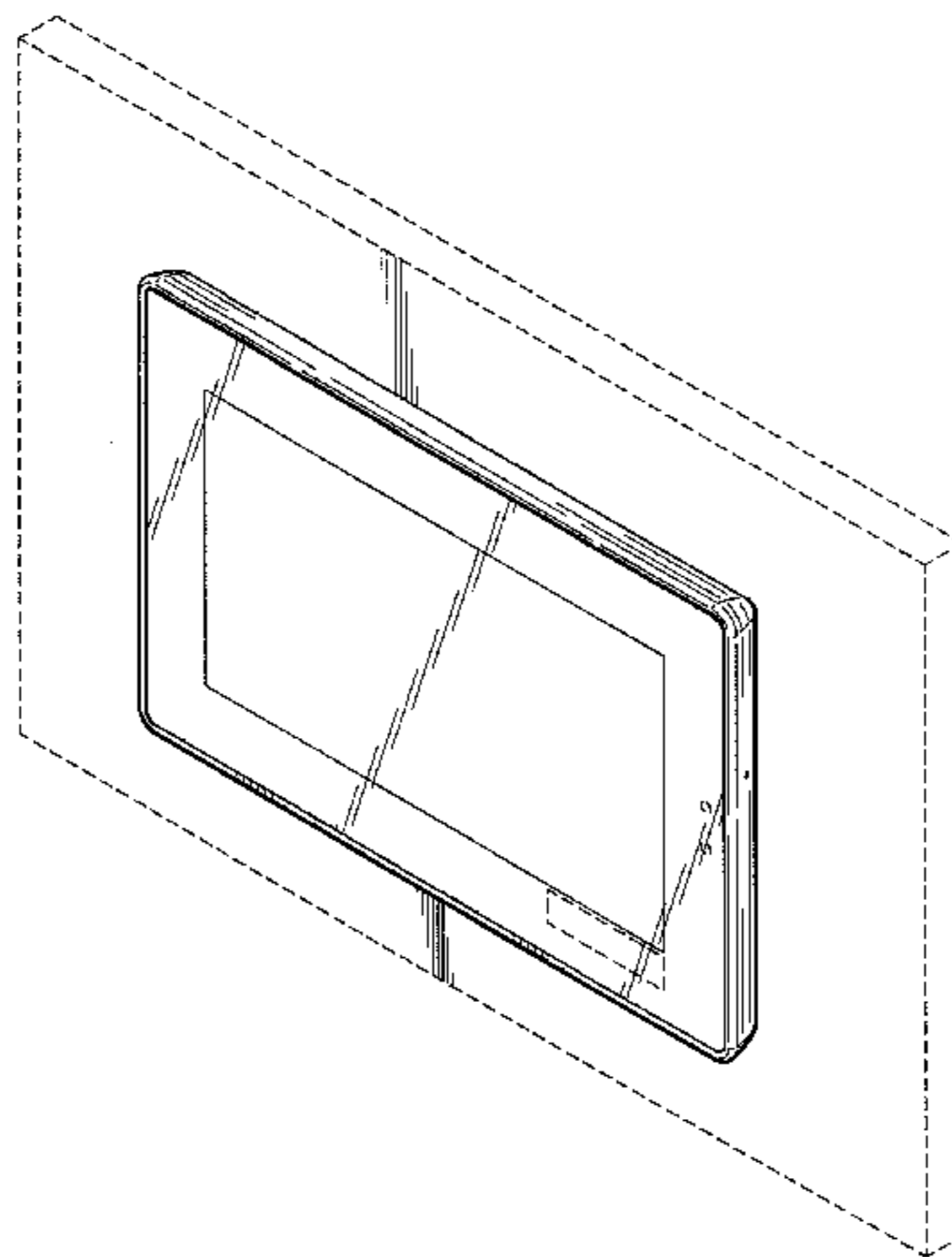
FIG. 1 is a front isometric view of an electronic display mounted to a wall.
FIG. 2 is a rear isometric view of the electronic display and wall of FIG. 1.
FIG. 3 is a front view of the electronic display and wall of FIG. 1.
FIG. 4 is a right side view of the electronic display and wall of FIG. 1.
FIG. 5 is a rear view of the electronic display and wall of FIG. 1.
FIG. 6 is a left side view of the electronic display and wall of FIG. 1.
FIG. 7 is a top view of the electronic display and wall of FIG. 1.
FIG. 8 is a bottom view of the electronic display and wall of FIG. 1; and,
FIG. 9 is a partial cross-sectional view of the electronic display taken along line 9-9 of FIG. 1.
The broken lines form no part of the claimed design. The internal features of the electronic display form no part of the claimed design.

(56) **References Cited**

U.S. PATENT DOCUMENTS

D348,055 S 6/1994 Basco et al.
D416,549 S 11/1999 Coster et al.
D491,175 S 6/2004 Shimano
D495,332 S 8/2004 Jobs et al.
D496,040 S 9/2004 Jobs et al.
D510,088 S 9/2005 Jobs et al.
D510,577 S 10/2005 Jobs et al.

1 Claim, 5 Drawing Sheets



(56)

References Cited

U.S. PATENT DOCUMENTS

7,864,512	B2 *	1/2011	Kirschner et al.	361/679.01
D637,596	S	5/2011	Akana et al.	
D639,805	S	6/2011	Song et al.	
D647,106	S	10/2011	Akana et al.	
D652,418	S	1/2012	Rashid et al.	
D654,074	S	2/2012	Wood et al.	
D656,473	S *	3/2012	Laube et al.	D14/126
D659,163	S	5/2012	Akana et al.	
D661,305	S	6/2012	Andre et al.	
D661,311	S	6/2012	Akana et al.	
D664,513	S *	7/2012	Laube et al.	D14/126
D664,954	S	8/2012	Kim et al.	
D667,825	S	9/2012	Jung	
D668,650	S	10/2012	Han	
D668,651	S	10/2012	Kim et al.	
D669,069	S	10/2012	Akana et al.	
D669,468	S	10/2012	Akana et al.	
D670,692	S	11/2012	Akana et al.	

D672,345	S	12/2012	Li
D672,768	S	12/2012	Huang et al.
D673,561	S	1/2013	Hyun et al.
D675,203	S	1/2013	Yang

FOREIGN PATENT DOCUMENTS

CA	135907	1/2011
CA	135908	1/2011
CA	139863	10/2011
CA	139864	10/2011
CA	140951	1/2012
CA	141288	2/2012
CA	141289	2/2012
CA	141290	2/2012
CA	141077	4/2012
CA	141078	4/2012
CA	141079	4/2012
CA	142764	5/2012
CA	142765	5/2012

* cited by examiner

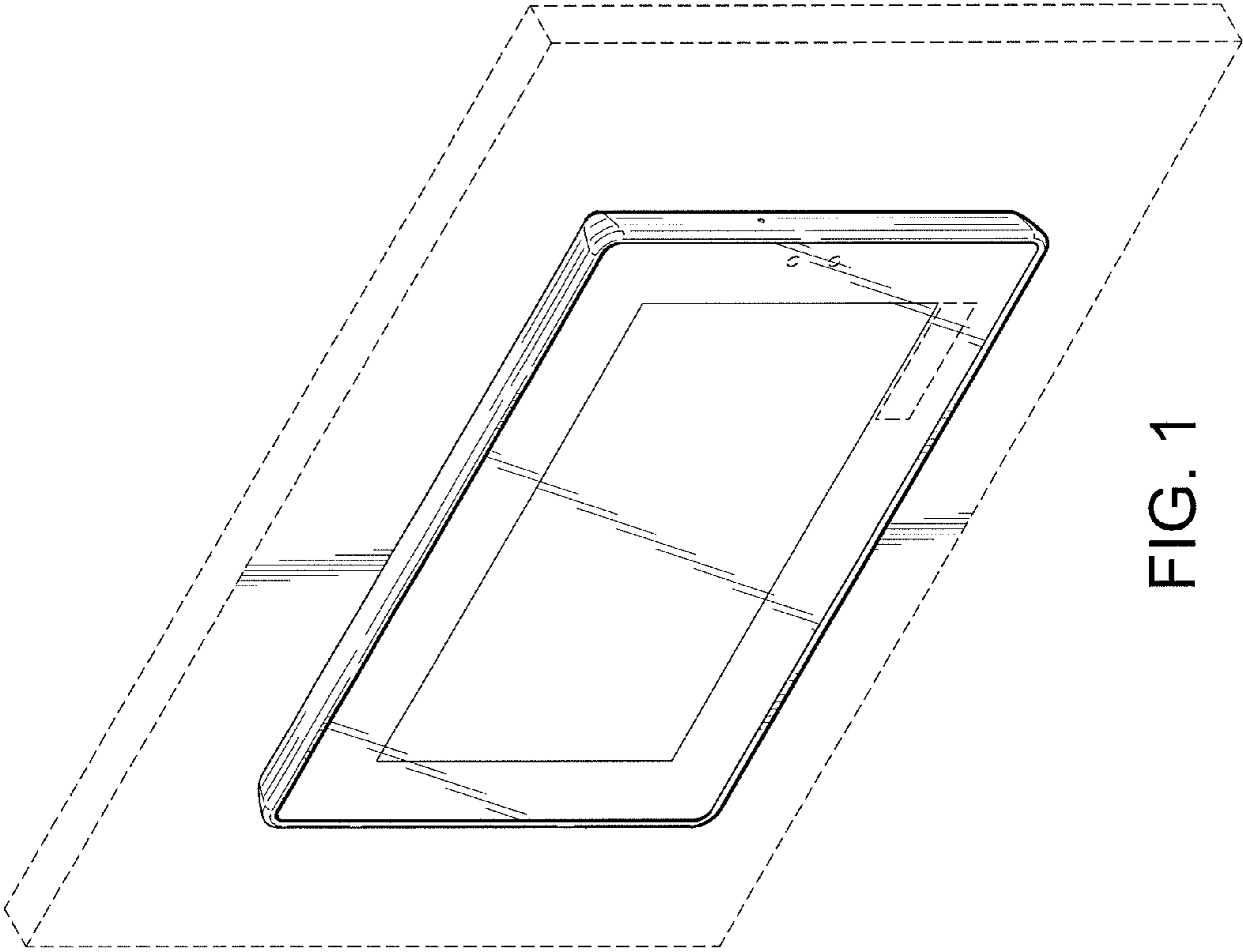


FIG. 1

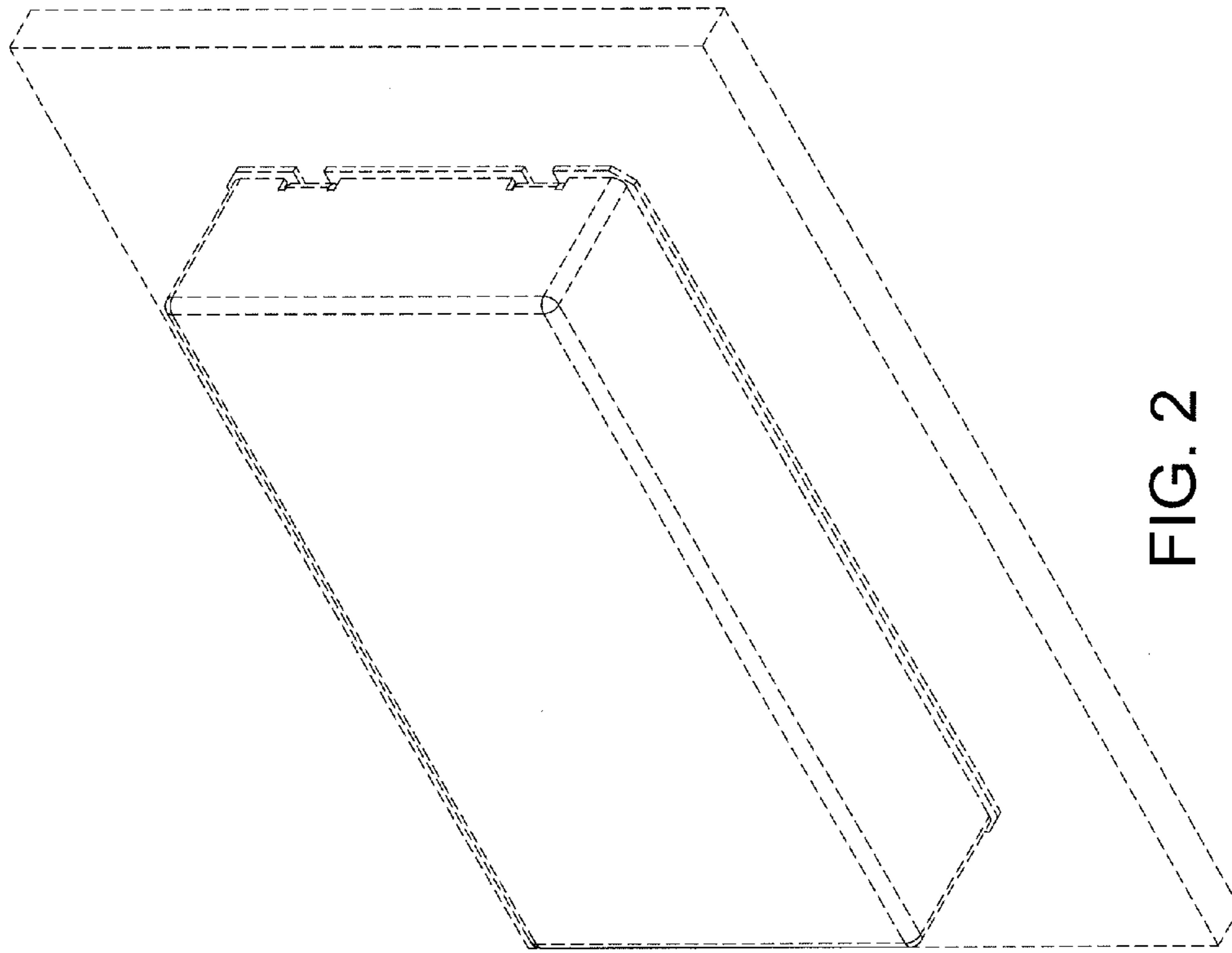


FIG. 2

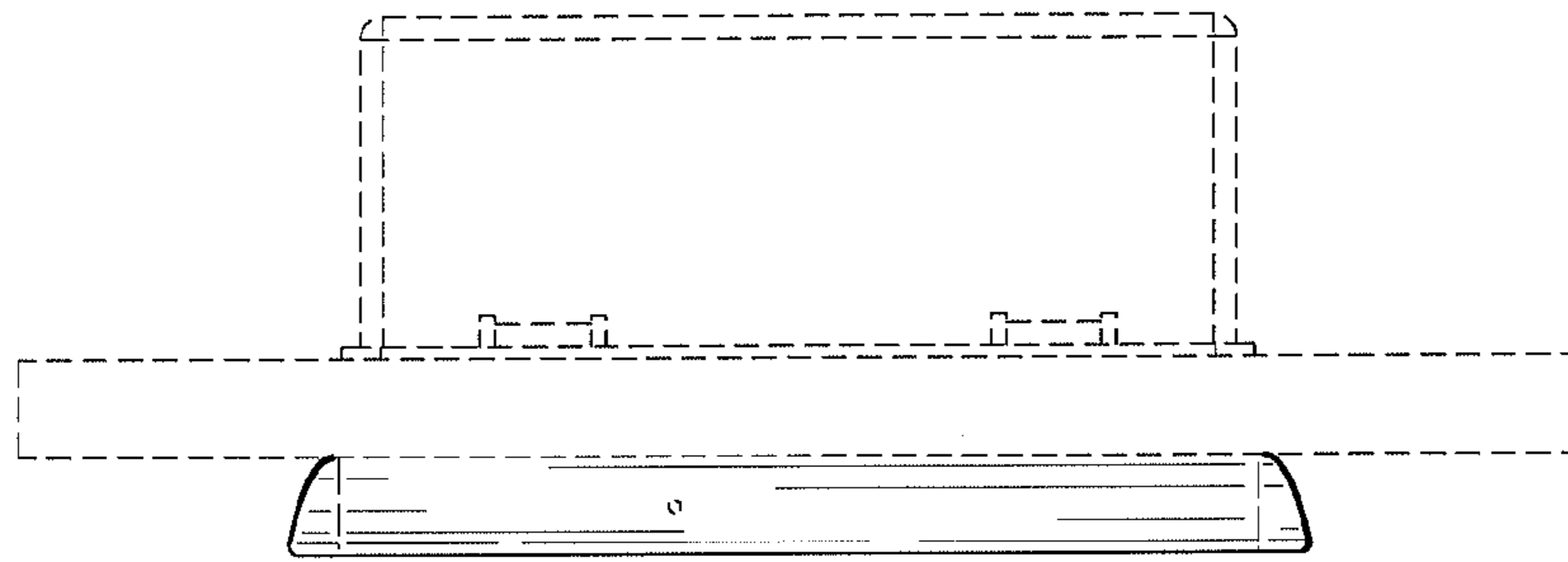


FIG. 4

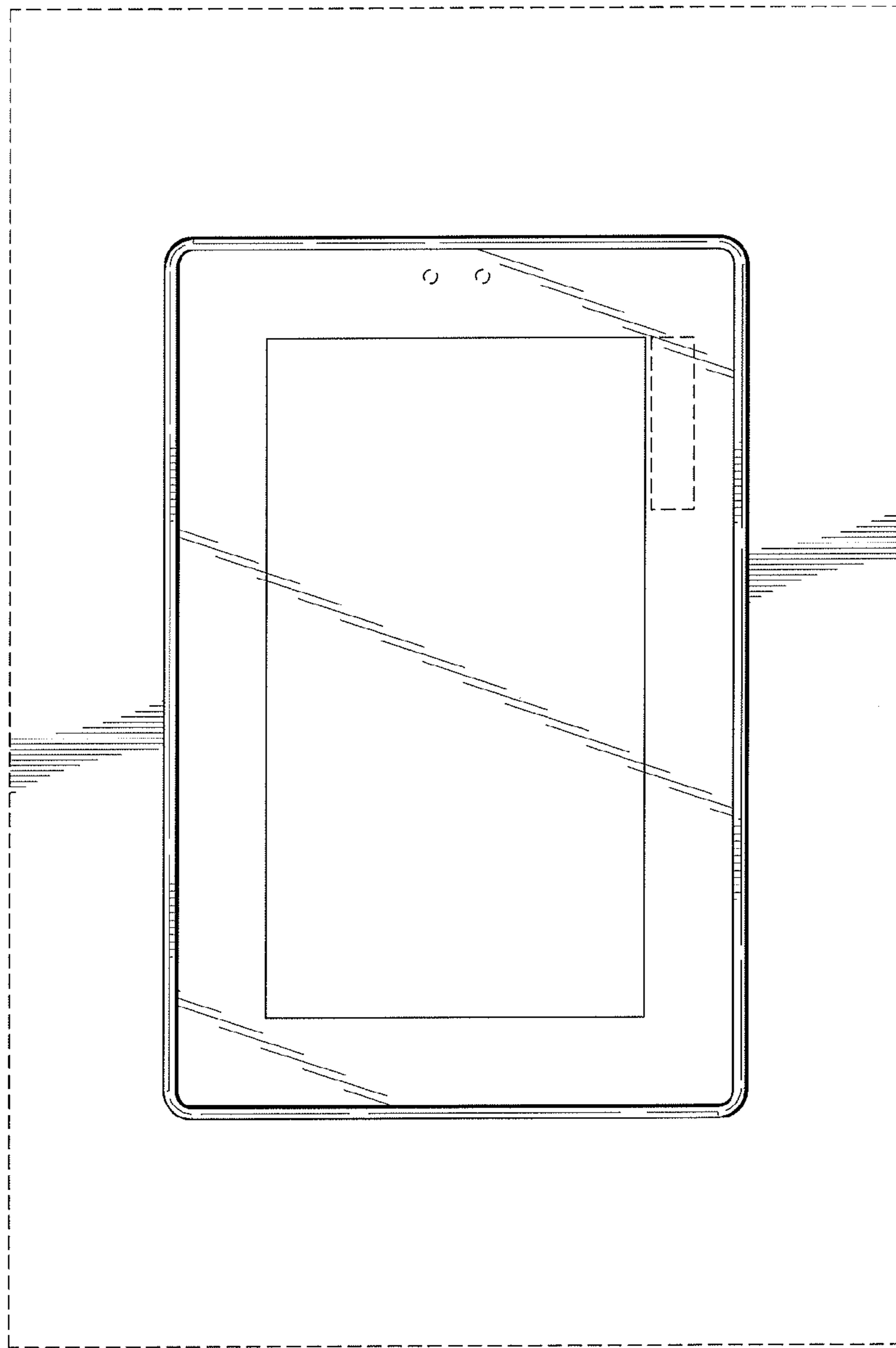


FIG. 3

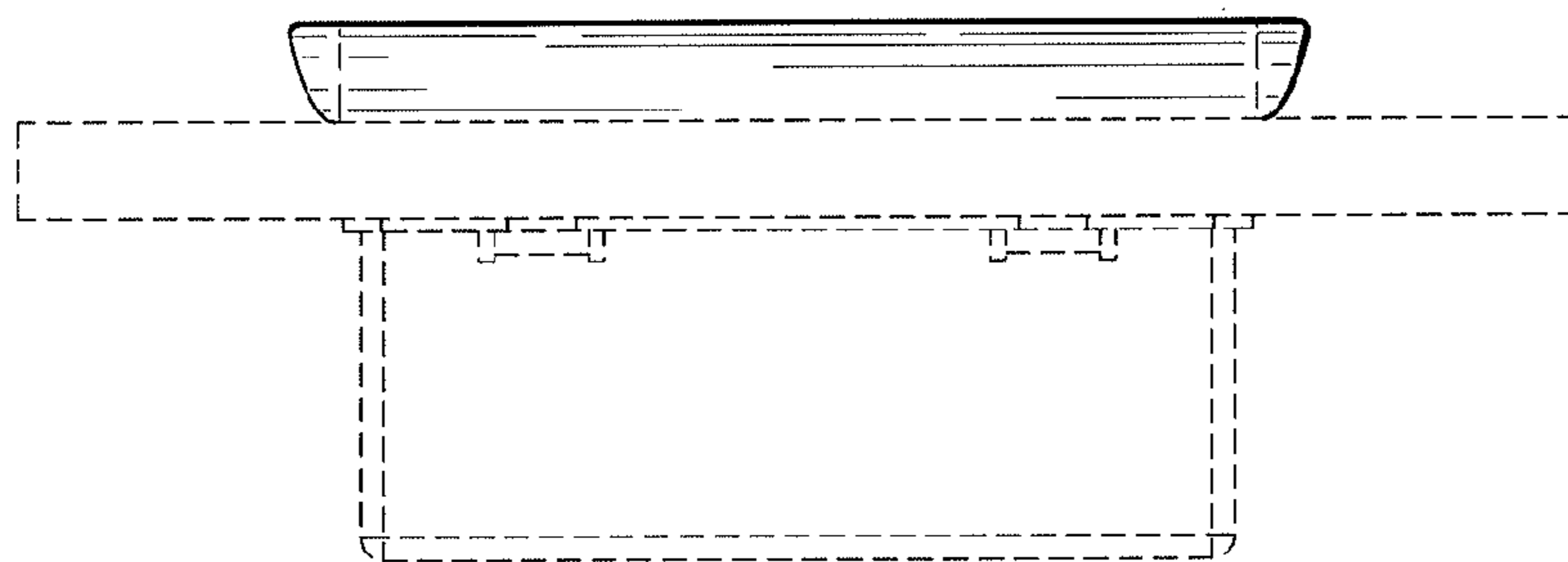


FIG. 6

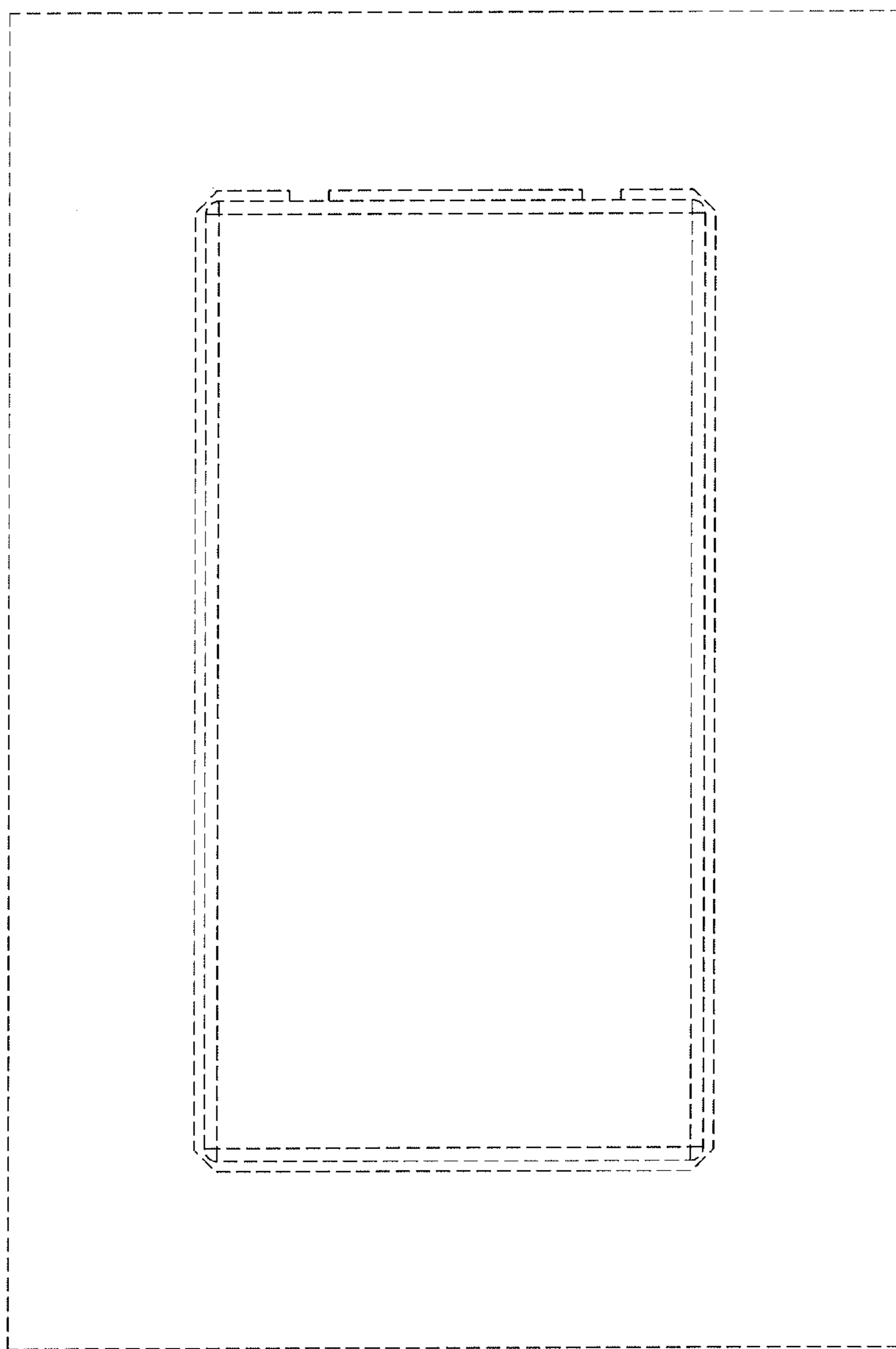


FIG. 5

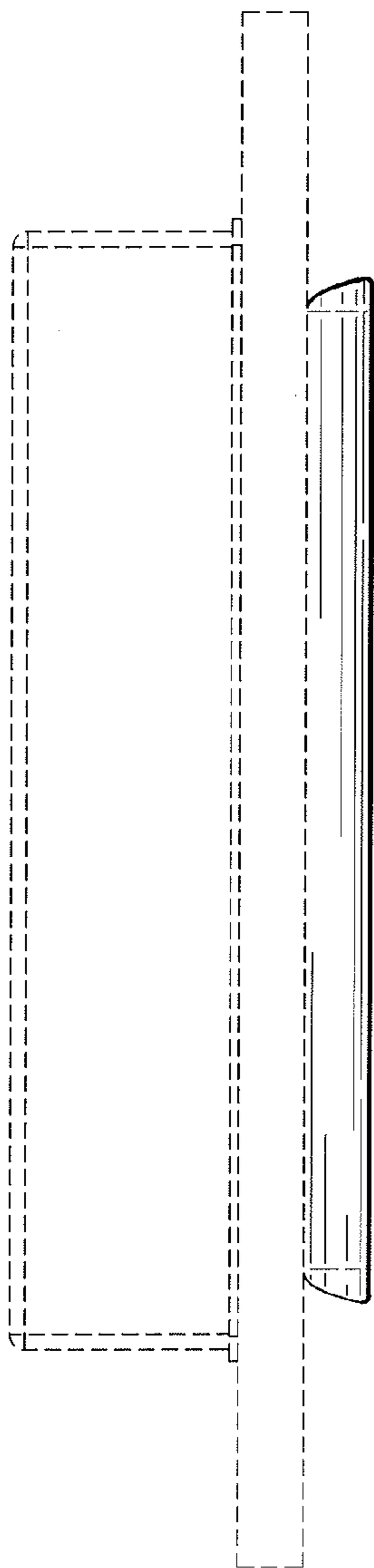


FIG. 7

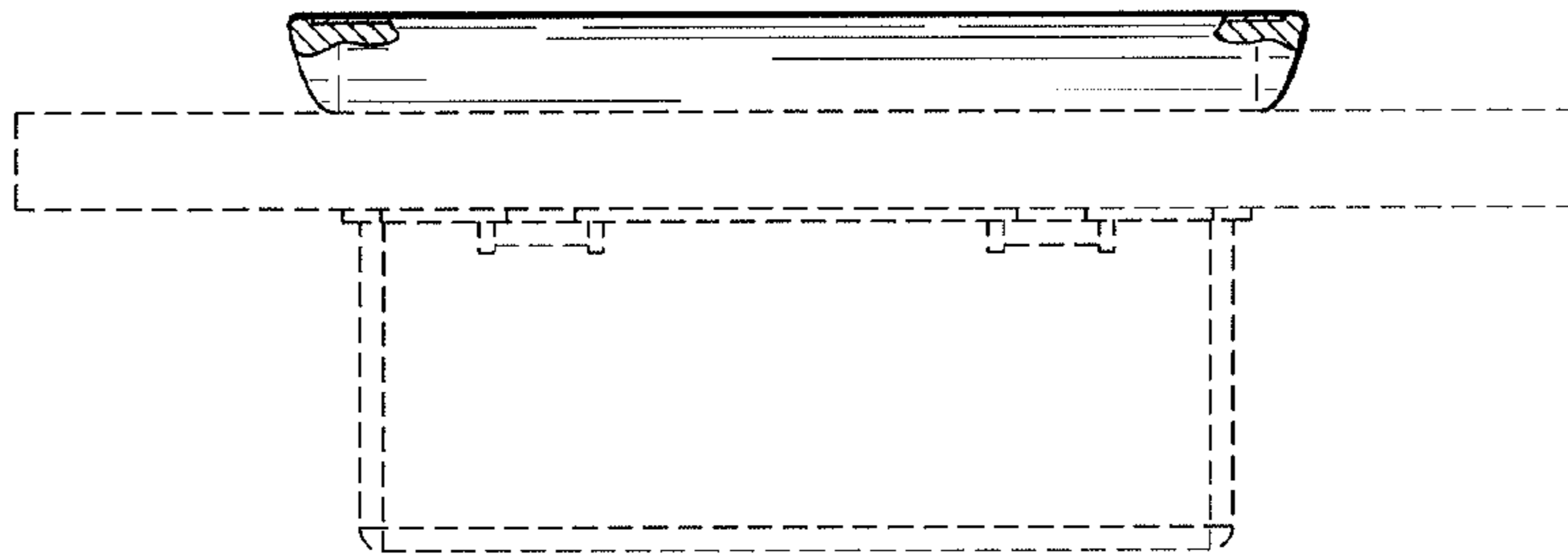


FIG. 9

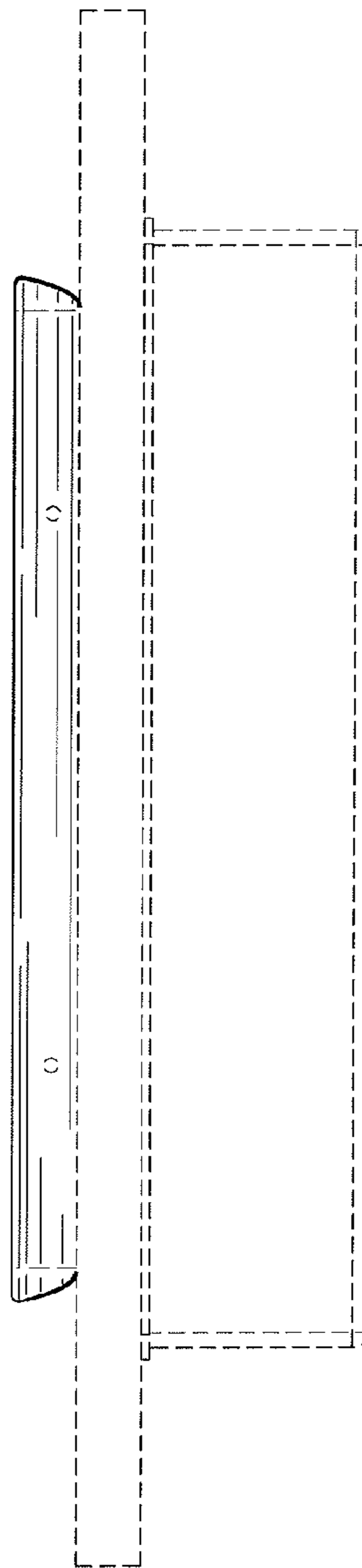


FIG. 8