



US00D729796S

(12) **United States Design Patent**
Song

(10) **Patent No.:** **US D729,796 S**
(45) **Date of Patent:** **** May 19, 2015**

(54) **ELECTRONIC DEVICE**
(71) Applicant: **SAMSUNG ELECTRONICS CO., LTD.**, Suwon-si, Gyeonggi-do (KR)
(72) Inventor: **Junyong Song**, Sunghnam-si (KR)
(73) Assignee: **SAMSUNG ELECTRONICS CO., LTD.** (KR)

(**) Term: **14 Years**
(21) Appl. No.: **29/470,924**
(22) Filed: **Oct. 25, 2013**

(30) **Foreign Application Priority Data**
Aug. 30, 2013 (KR) 30-2013-0044689

(51) **LOC (10) Cl.** **14-02**
(52) **U.S. Cl.**
USPC **D14/344**; D16/219

(58) **Field of Classification Search**
USPC D14/140, 137, 138 R, 138 AB, 139, 155, D14/191, 192, 203.1, 203.3, 203.4, 203.5, D14/203.7, 248, 226, 218, 144, 240, 344, D14/440, 341, 346, 448, 450, 496; D10/30-39, 70, 65, 78, 104.1, 104.2, D10/125; D11/3-5, 12, 19, 25; D13/168; D8/354, 366, 402, 499; D3/215; D15/199; 381/364, 151; 379/433.1; 455/575.1, 556.1, 556.2, 558, 575.3, 455/575.4, 575.6, 90.3; 368/10, 13, 69, 368/223; D21/329; D24/167; 224/175; 24/190, 265 WS; D16/202, 219
See application file for complete search history.

(56) **References Cited**
U.S. PATENT DOCUMENTS
3,136,547 A * 6/1964 Schaper 473/406
D251,897 S * 5/1979 Davidson D10/39
4,580,789 A * 4/1986 Jett 277/353
D342,963 S * 1/1994 Isozaki D16/209

D353,343 S * 12/1994 Eberhardt D10/104.1
5,381,387 A * 1/1995 Blonder et al. 368/10
5,467,324 A * 11/1995 Houlihan 368/10

(Continued)

FOREIGN PATENT DOCUMENTS

RU 53179 9/2003

OTHER PUBLICATIONS

Cell Phone Watch with Camera and Bluetooth [geekalerts.com](http://www.geekalerts.com) [online] 10 pages. Uploaded Mar. 11, 2008 [retrieved on Oct. 13, 2014]. Retrieved from Internet: < <http://www.geekalerts.com/cell-phone-watch-with-camera-and-bluetooth/>>.*

(Continued)

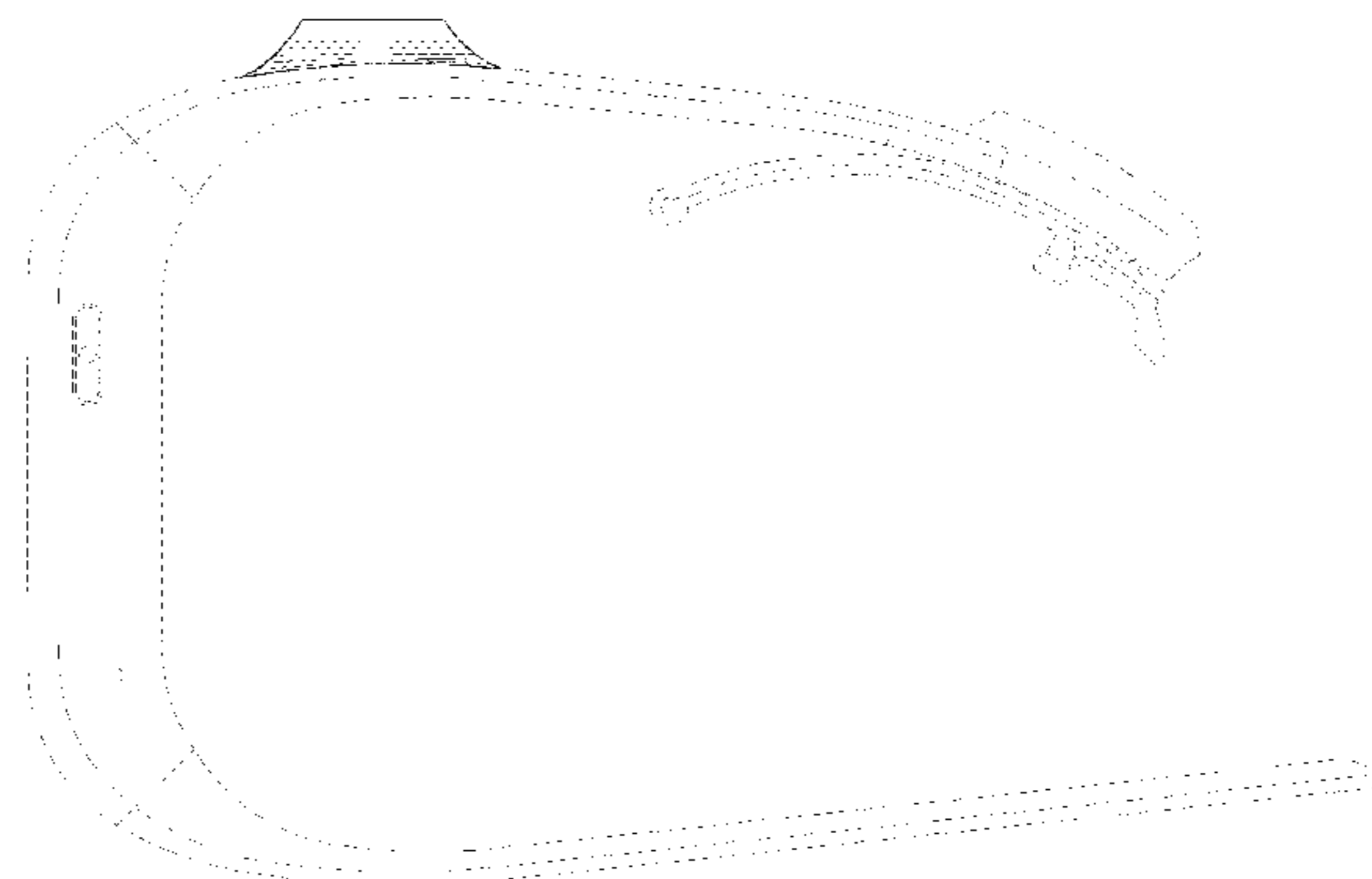
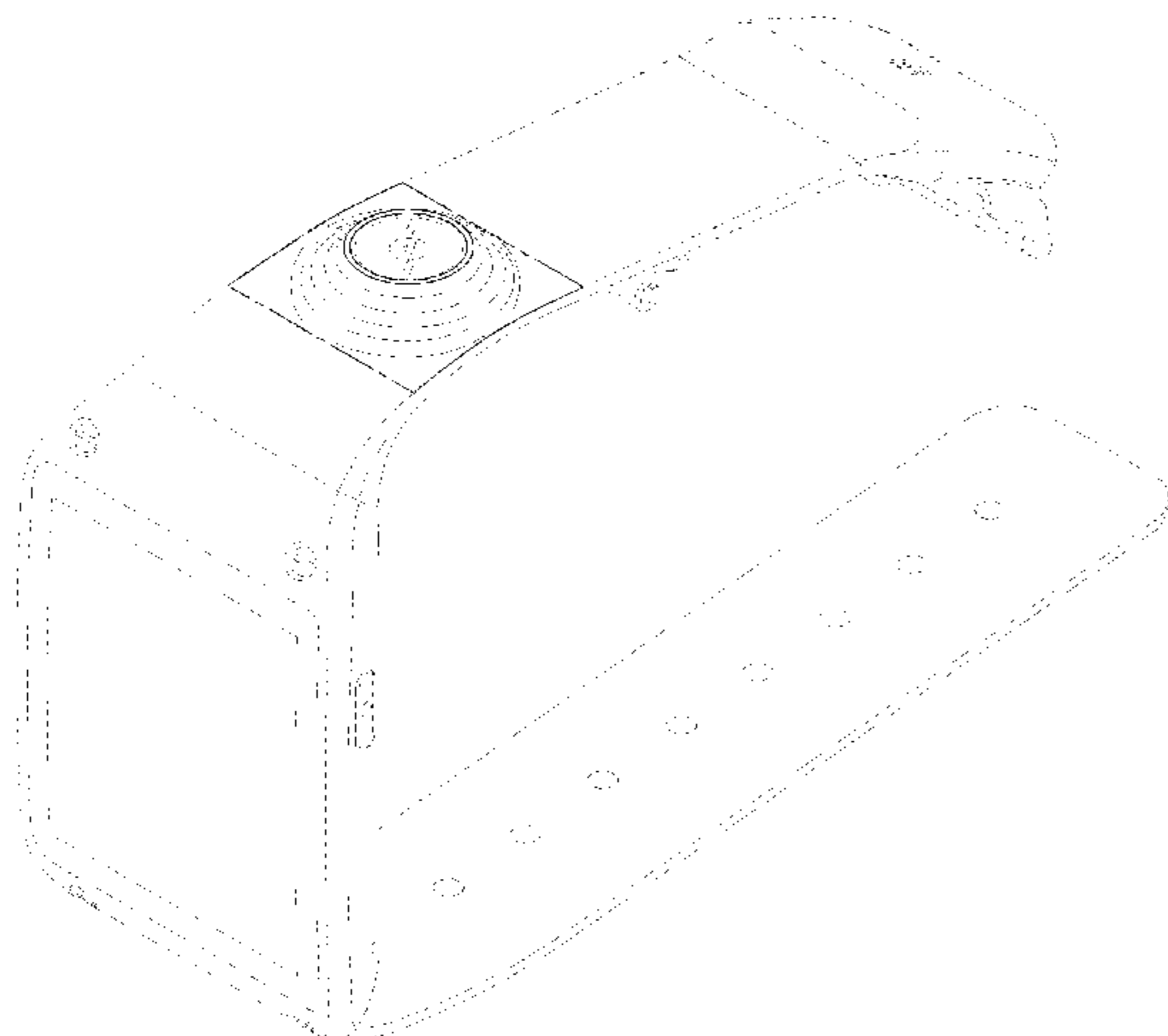
Primary Examiner — Susan Bennett Hattan
Assistant Examiner — Marie Fast Horse
(74) *Attorney, Agent, or Firm* — Cantor Colburn LLP

(57) **CLAIM**
I claim, the ornamental design for an electronic device, as shown and described.

DESCRIPTION

FIG. 1 is the front perspective view of an electronic device showing my new design;
FIG. 2 is a front elevation view thereof;
FIG. 3 is a rear elevation view thereof;
FIG. 4 is a side elevation view thereof;
FIG. 5 is another side elevation view thereof;
FIG. 6 is a top plan view thereof;
FIG. 7 is a bottom plan view thereof; and
FIG. 8 is a front elevation view thereof in a user environment; and,
FIG. 9 is a top plan view thereof in a user environment.
The broken lines depict portions of the electronic device that form no part of the claimed design. The dash-dot lines represent boundary between claimed and unclaimed portions of the design.

1 Claim, 9 Drawing Sheets



(56)

References Cited

U.S. PATENT DOCUMENTS

5,499,292 A * 3/1996 Blonder et al. 379/433.1
 D369,751 S * 5/1996 Boyer et al. D10/31
 5,564,082 A * 10/1996 Blonder et al. 455/575.6
 5,832,296 A * 11/1998 Wang et al. 340/539.22
 D407,654 S * 4/1999 Rayon D10/31
 D438,883 S * 3/2001 Ishibashi et al. D16/219
 6,212,414 B1 * 4/2001 Alameh et al. 455/575.6
 D447,501 S * 9/2001 Mizoguchi et al. D16/209
 D449,631 S * 10/2001 Hayashi D16/209
 D454,148 S * 3/2002 Backs et al. D16/218
 D456,438 S * 4/2002 Kawai D16/218
 D467,958 S * 12/2002 Senda et al. D16/219
 D473,155 S * 4/2003 Bonnet D11/26
 D488,391 S * 4/2004 Kume D10/32
 D518,843 S * 4/2006 Tullberg et al. D16/218
 D529,528 S * 10/2006 Ross et al. D16/200
 D535,676 S * 1/2007 Dayan D16/218
 D542,690 S * 5/2007 Miller et al. D11/26
 D551,573 S * 9/2007 Yan D10/32
 D562,175 S * 2/2008 Miller D11/35
 D566,579 S * 4/2008 Tran D10/31
 D568,356 S * 5/2008 Tainaka D16/202
 D591,321 S * 4/2009 Sheppard et al. D16/202
 D601,603 S * 10/2009 Jang et al. D16/202
 D612,269 S * 3/2010 Leung D10/32
 D626,165 S * 10/2010 Raken et al. D16/242
 D627,380 S * 11/2010 Sheppard et al. D16/202

D627,813 S * 11/2010 Chen et al. D16/202
 D659,106 S * 5/2012 Paul D13/168
 D664,866 S * 8/2012 Chiang D10/38
 D664,881 S * 8/2012 Cobbett et al. D11/3
 D666,658 S * 9/2012 Furlan et al. D16/202
 D666,659 S * 9/2012 Furlan et al. D16/202
 8,370,549 B2 * 2/2013 Burton et al. 710/63
 D683,251 S * 5/2013 Dumas et al. D10/104.2
 8,506,158 B2 * 8/2013 Keung et al. 368/282
 D692,473 S * 10/2013 Kawaguchi et al. D16/202
 D695,329 S * 12/2013 Fujita et al. D16/202
 D707,742 S * 6/2014 Imamizu D16/202
 D709,874 S * 7/2014 Aumiller et al. D14/344
 D710,845 S * 8/2014 Aumiller et al. D14/344
 D711,372 S * 8/2014 Aumiller et al. D14/344
 D711,872 S * 8/2014 Aumiller et al. D14/344
 D711,873 S * 8/2014 Aumiller et al. D14/344
 D712,949 S * 9/2014 Kwon et al. D16/202
 D714,248 S * 9/2014 Chang D14/140
 2007/0200716 A1 * 8/2007 Haase et al. 340/574
 2007/0232373 A1 * 10/2007 Yoshida et al. 455/575.6
 2014/0143785 A1 * 5/2014 Mistry et al. 718/104

OTHER PUBLICATIONS

Hyper link <http://mobilab.tistory.com/33> printed on Oct. 23, 2013, pp. 1-9.
 Russian Office Action with English Translation for Application No. 2014500751 dated Sep. 10, 2014.

* cited by examiner

FIG. 1

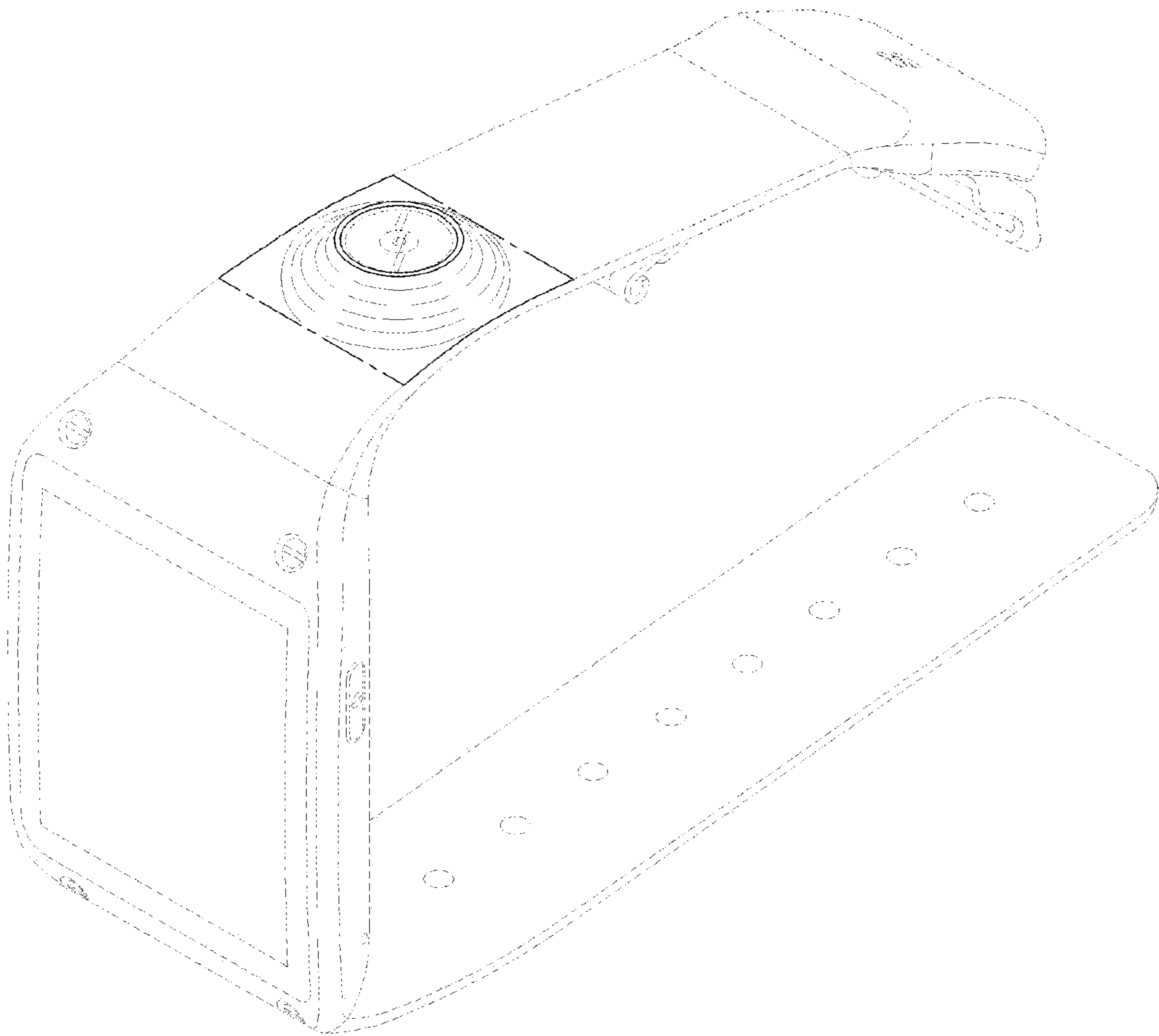


FIG. 2

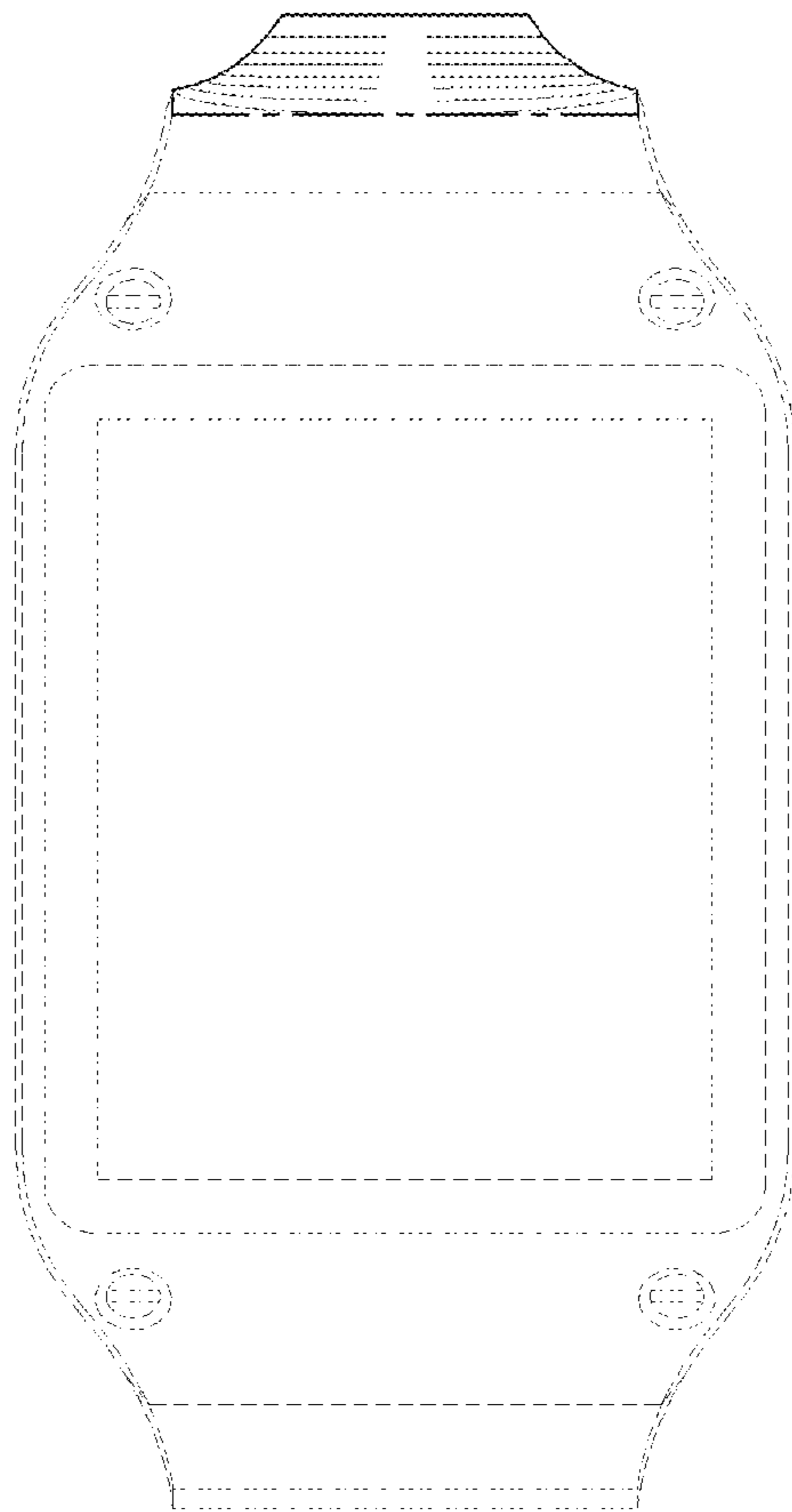


FIG. 3

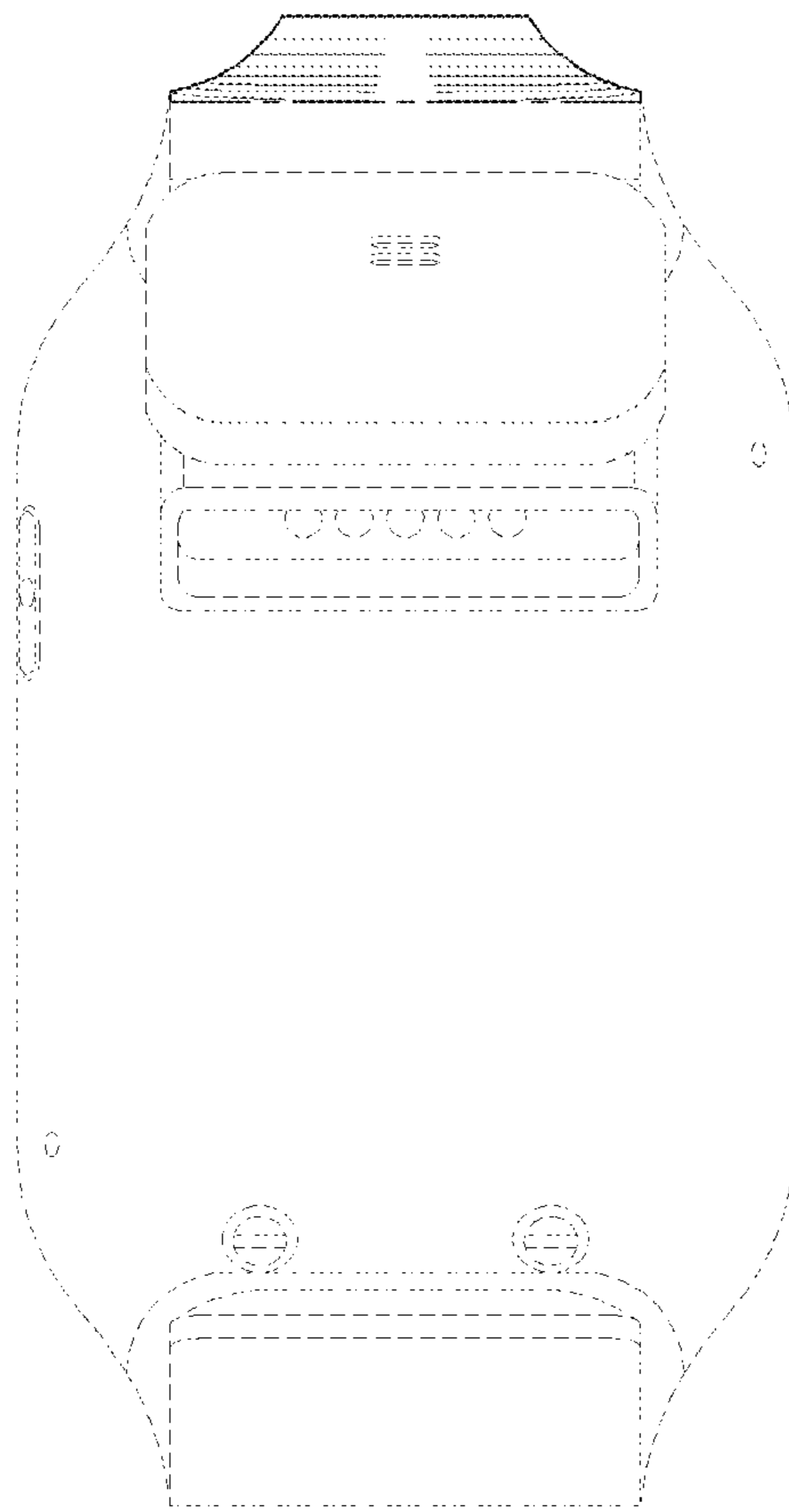


FIG. 4

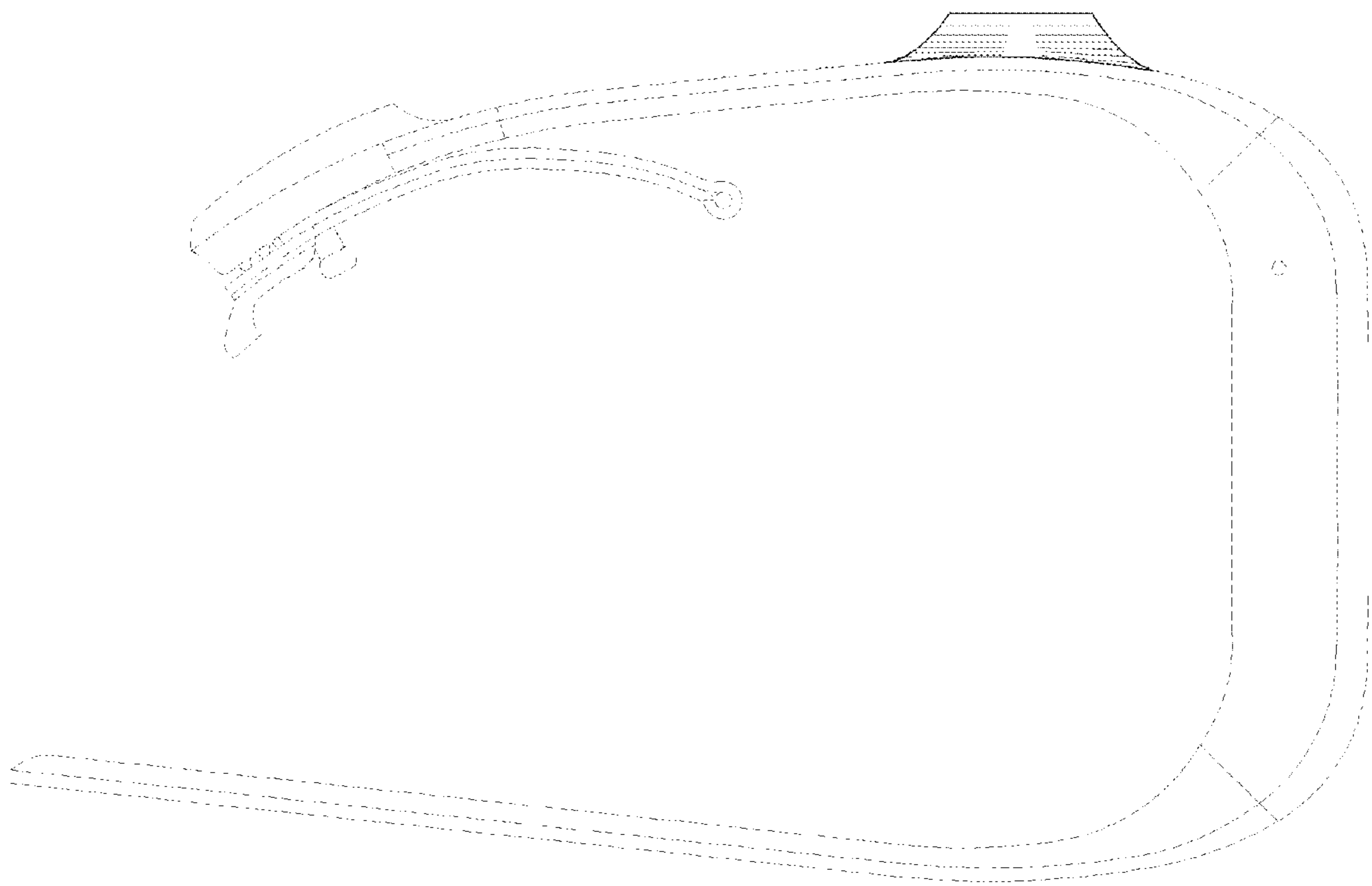


FIG. 5

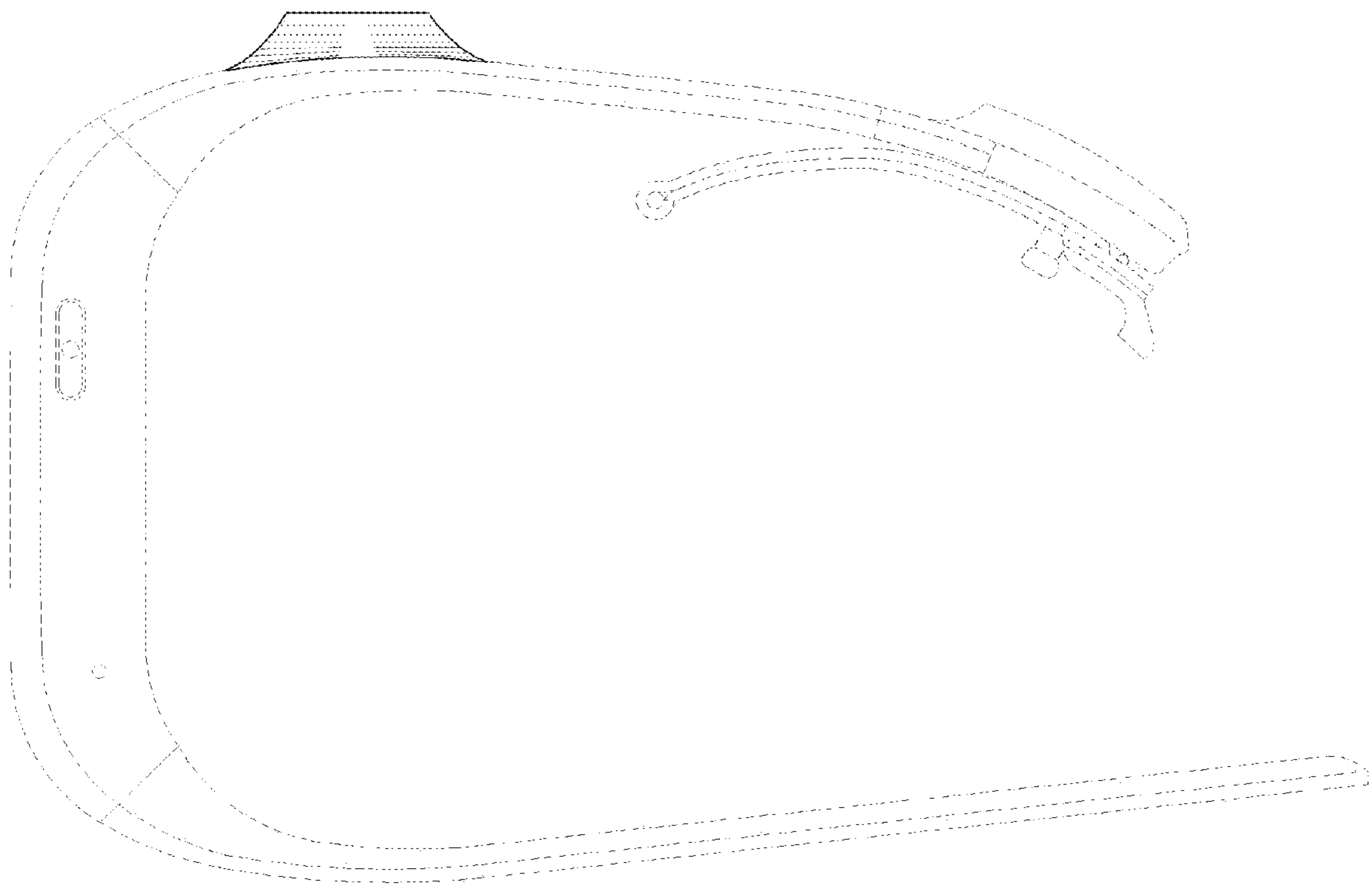


FIG. 6

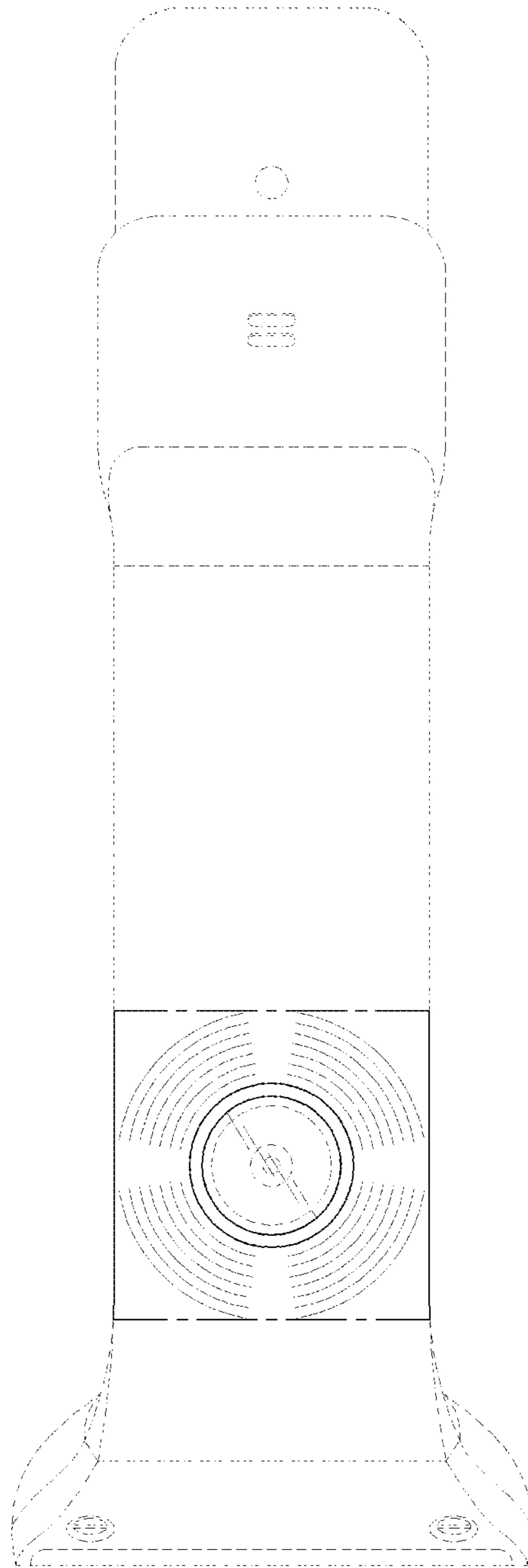


FIG. 7

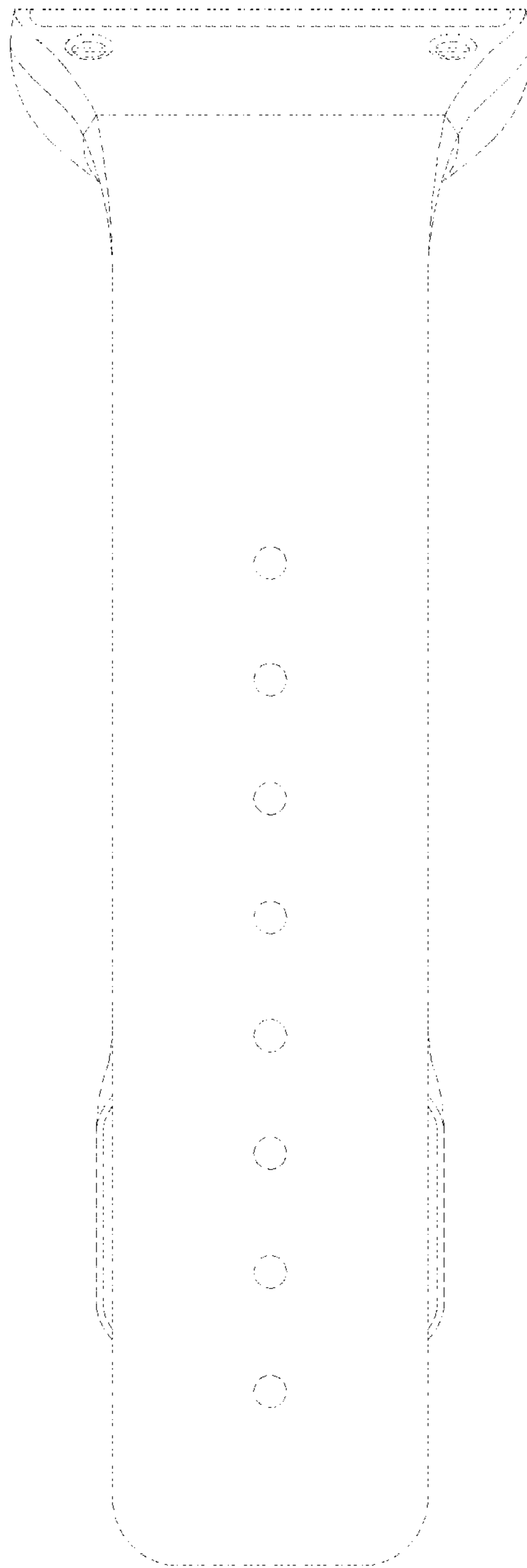


FIG. 8

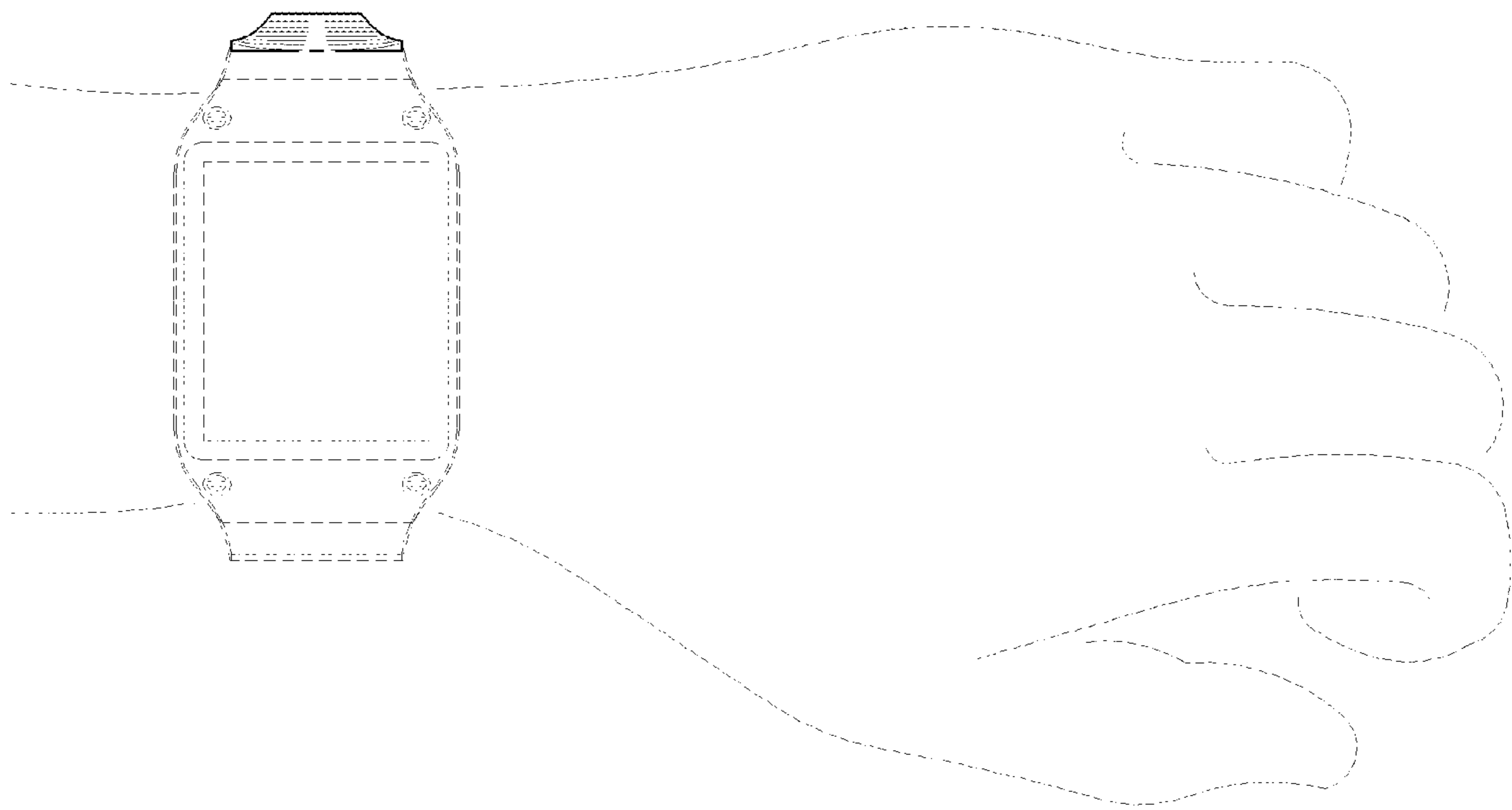


FIG. 9

