



US00D729793S

(12) **United States Design Patent**  
**Hickok et al.**

(10) **Patent No.:** **US D729,793 S**

(45) **Date of Patent:** **\*\* May 19, 2015**

(54) **ELECTRONIC DISPLAY**

(71) Applicant: **ABL IP Holding, LLC**, Conyers, GA (US)

(72) Inventors: **John T. Hickok**, Social Circle, GA (US);  
**Troy T. Miller**, Cumming, GA (US);  
**Mark Norton**, Covington, GA (US);  
**Richard L. Westrick, Jr.**, Social Circle, GA (US);  
**Erik Allen Holmen**, Sarasota, FL (US);  
**Alexander Ali Hussain**, Sarasota, FL (US);  
**Audwin W. Cash**, Lilburn, GA (US)

(73) Assignee: **ABL IP Holding LLC**, Conyers, GA (US)

(\*\*) Term: **14 Years**

(21) Appl. No.: **29/472,548**

(22) Filed: **Nov. 13, 2013**

(51) **LOC (10) Cl.** ..... **14-02**

(52) **U.S. Cl.**  
USPC ..... **D14/336**; D14/126; D14/371

(58) **Field of Classification Search**  
USPC ..... D14/371-375, 125-129, 336, 337;  
341/12; 345/104, 156, 168, 173;  
348/180, 184, 325, 739; 349/1, 2, 11,  
349/62; 361/679.05-679.07, 679.21;  
D6/300, 308

See application file for complete search history.

(56) **References Cited**

**U.S. PATENT DOCUMENTS**

D348,055 S 6/1994 Basco et al.  
D416,549 S 11/1999 Coster et al.  
D491,175 S 6/2004 Shimano  
D495,332 S 8/2004 Jobs et al.  
D496,040 S 9/2004 Jobs et al.

D497,362 S \* 10/2004 Wang et al. .... D14/371  
D510,088 S 9/2005 Jobs et al.  
D510,577 S 10/2005 Jobs et al.  
D545,820 S 7/2007 Won et al.  
D559,251 S \* 1/2008 Sandmael et al. .... D14/374  
D578,131 S \* 10/2008 Horito et al. .... D14/450  
D597,980 S \* 8/2009 Vitito ..... D14/129  
D627,777 S 11/2010 Akana et al.

(Continued)

**FOREIGN PATENT DOCUMENTS**

CA 133050 8/2010  
CA 134954 11/2010

(Continued)

*Primary Examiner* — Freda S Nunn

(74) *Attorney, Agent, or Firm* — Kilpatrick Townsend & Stockton LLP

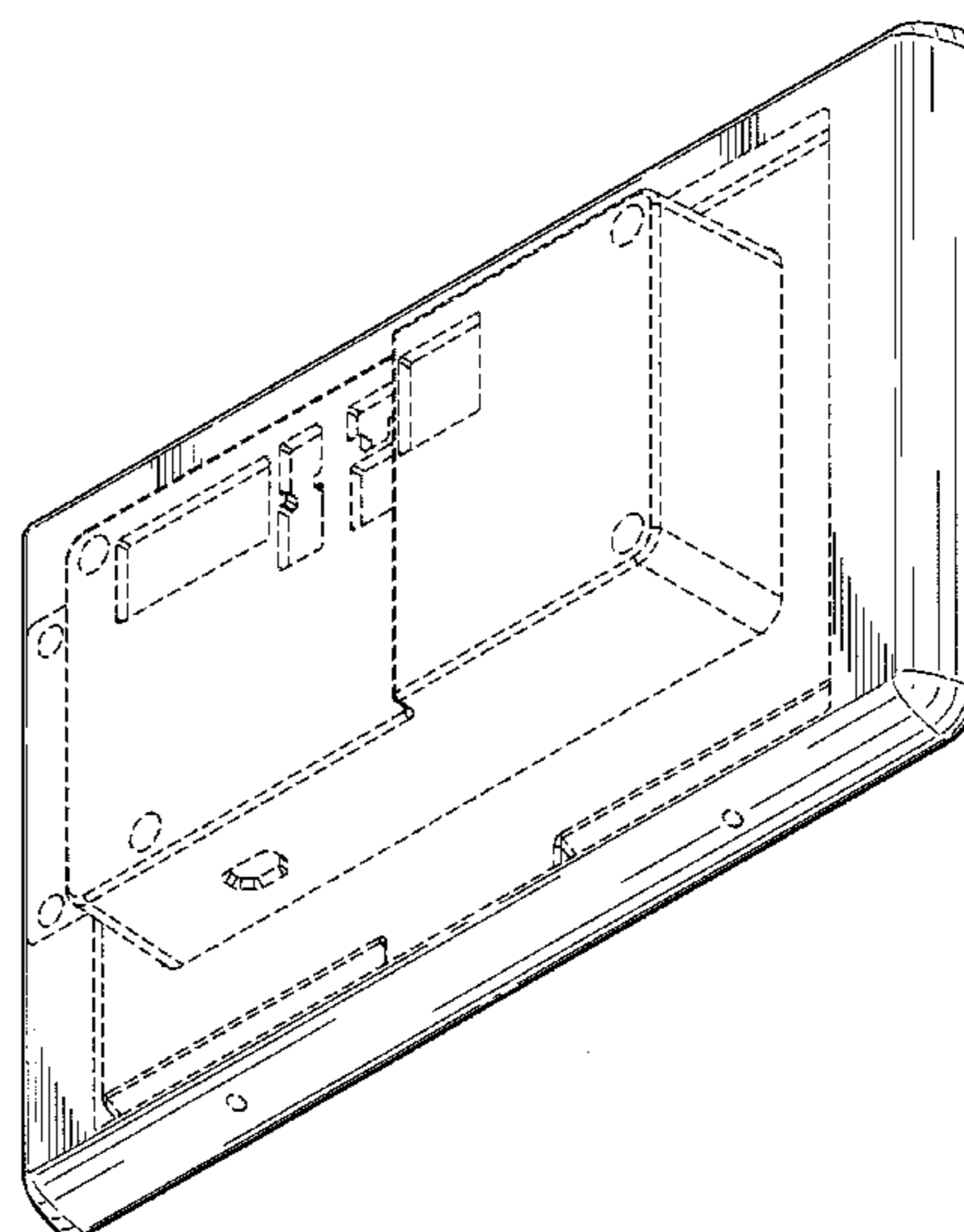
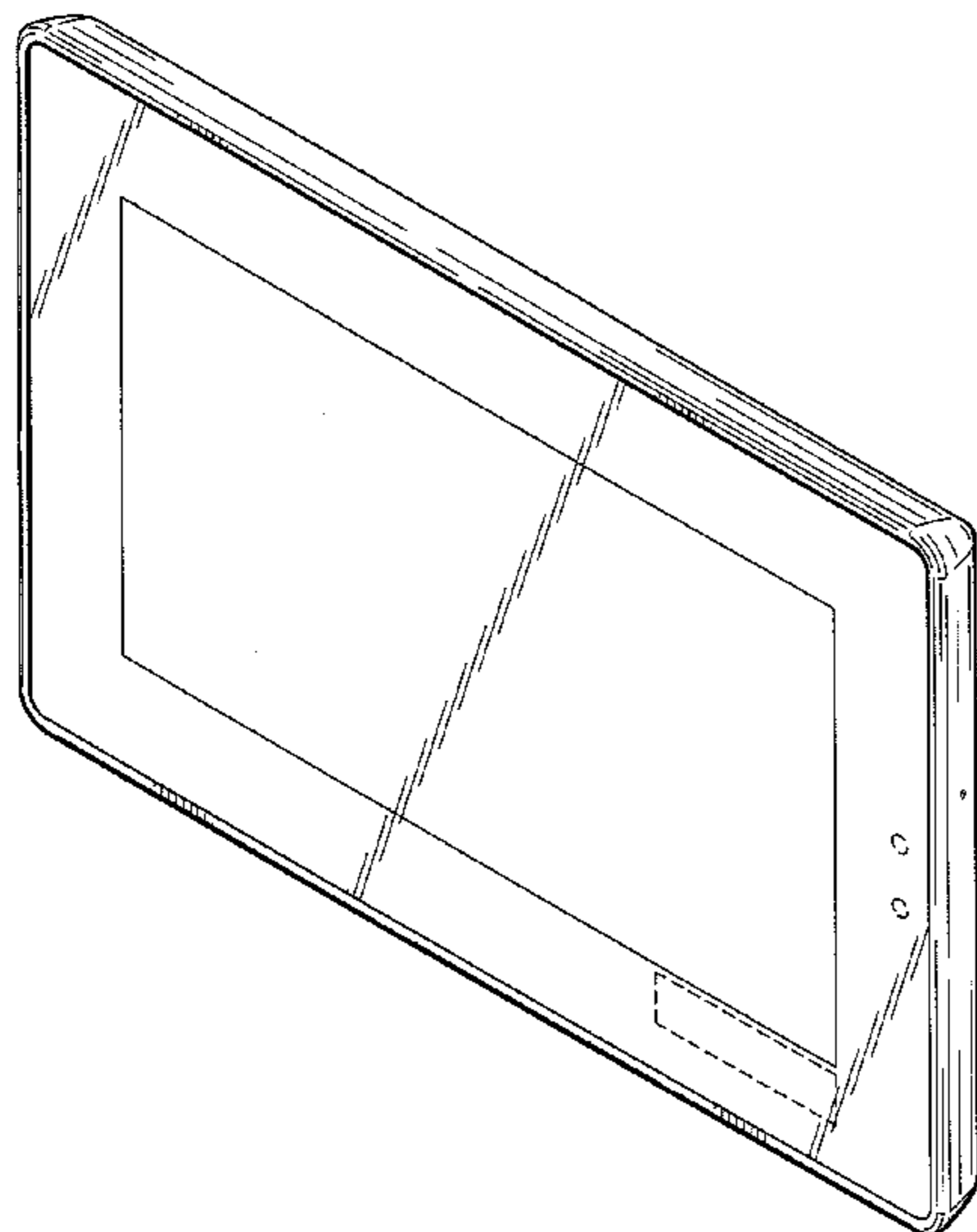
(57) **CLAIM**

The ornamental design for an electronic display, as shown and described.

**DESCRIPTION**

FIG. 1 is a front isometric view of an electronic display.  
FIG. 2 is a rear isometric view of the electronic display of FIG. 1.  
FIG. 3 is a front view of the electronic display of FIG. 1.  
FIG. 4 is a right side view of the electronic display of FIG. 1.  
FIG. 5 is a rear view of the electronic display of FIG. 1.  
FIG. 6 is a left side view of the electronic display of FIG. 1.  
FIG. 7 is a top view of the electronic display of FIG. 1.  
FIG. 8 is a bottom view of the electronic display of FIG. 1; and,  
FIG. 9 is a partial cross-sectional view of the electronic display taken along line 9-9 of FIG. 1.  
The broken lines form no part of the claimed design. The internal features of the electronic display form no part of the claimed design.

**1 Claim, 5 Drawing Sheets**



(56)

**References Cited**

U.S. PATENT DOCUMENTS

7,864,512 B2 \* 1/2011 Kirschner et al. .... 361/679.01  
 D637,596 S 5/2011 Akana et al.  
 D639,805 S 6/2011 Song et al.  
 D647,106 S 10/2011 Akana et al.  
 D652,418 S 1/2012 Rashid et al.  
 D654,074 S 2/2012 Wood et al.  
 D656,473 S \* 3/2012 Laube et al. .... D14/126  
 D659,163 S 5/2012 Akana et al.  
 D661,305 S 6/2012 Andre et al.  
 D661,311 S 6/2012 Akana et al.  
 D664,513 S \* 7/2012 Laube et al. .... D14/126  
 D664,954 S 8/2012 Kim et al.  
 D667,825 S 9/2012 Jung  
 D668,650 S 10/2012 Han  
 D668,651 S 10/2012 Kim et al.  
 D669,069 S 10/2012 Akana et al.  
 D669,468 S 10/2012 Akana et al.  
 D670,692 S 11/2012 Akana et al.  
 D672,345 S 12/2012 Li  
 D672,768 S 12/2012 Huang et al.

D673,561 S 1/2013 Hyun et al.  
 D675,203 S 1/2013 Yang  
 D690,294 S \* 9/2013 Isonaga et al. .... D14/336  
 2002/0188363 A1 \* 12/2002 Ashy ..... 700/94  
 2005/0243505 A1 \* 11/2005 Jackson, Jr. .... 361/683

FOREIGN PATENT DOCUMENTS

CA	135907	1/2011
CA	135908	1/2011
CA	139863	10/2011
CA	139864	10/2011
CA	140951	1/2012
CA	141288	2/2012
CA	141289	2/2012
CA	141290	2/2012
CA	141077	4/2012
CA	141078	4/2012
CA	141079	4/2012
CA	142764	5/2012
CA	142765	5/2012

\* cited by examiner

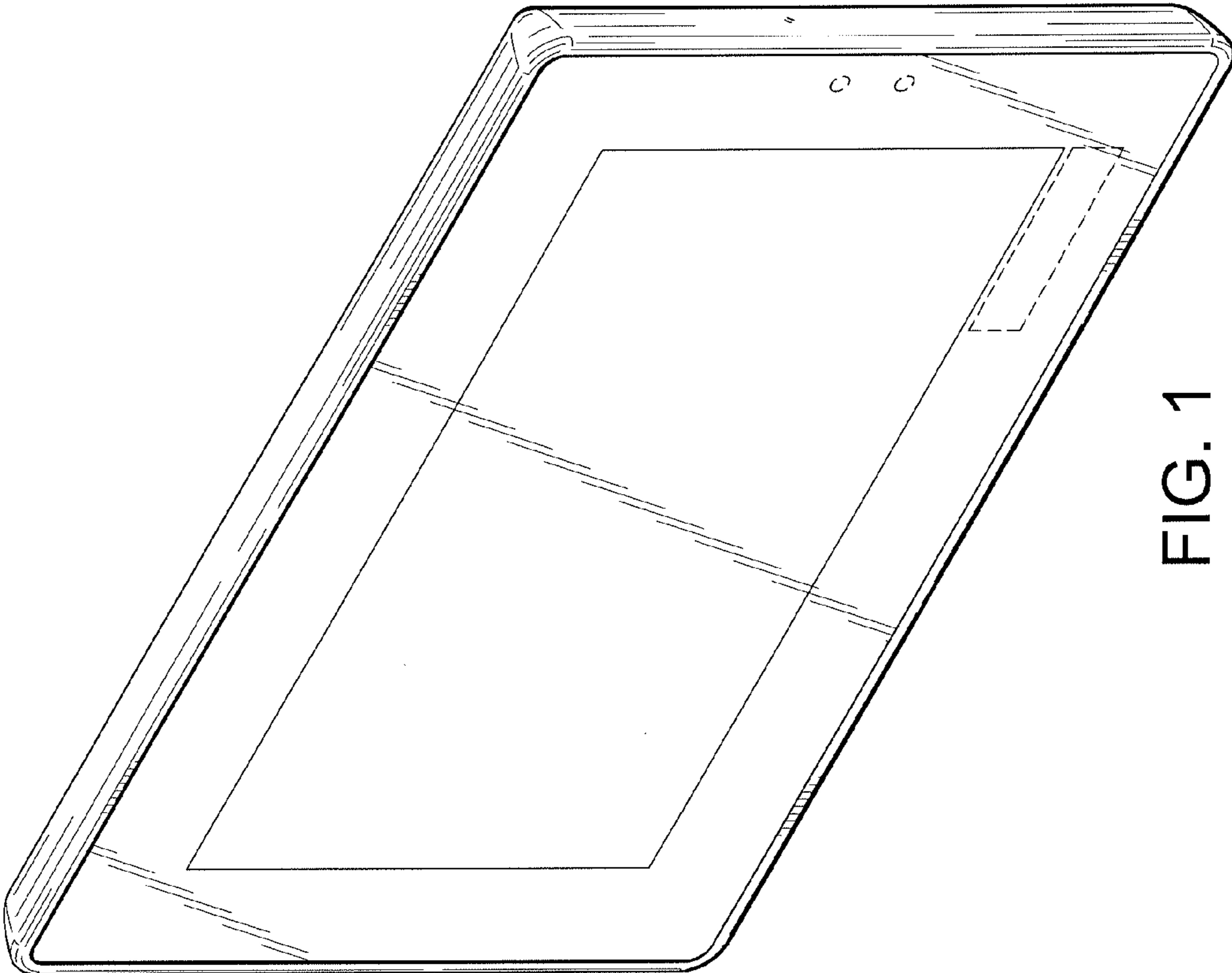


FIG. 1

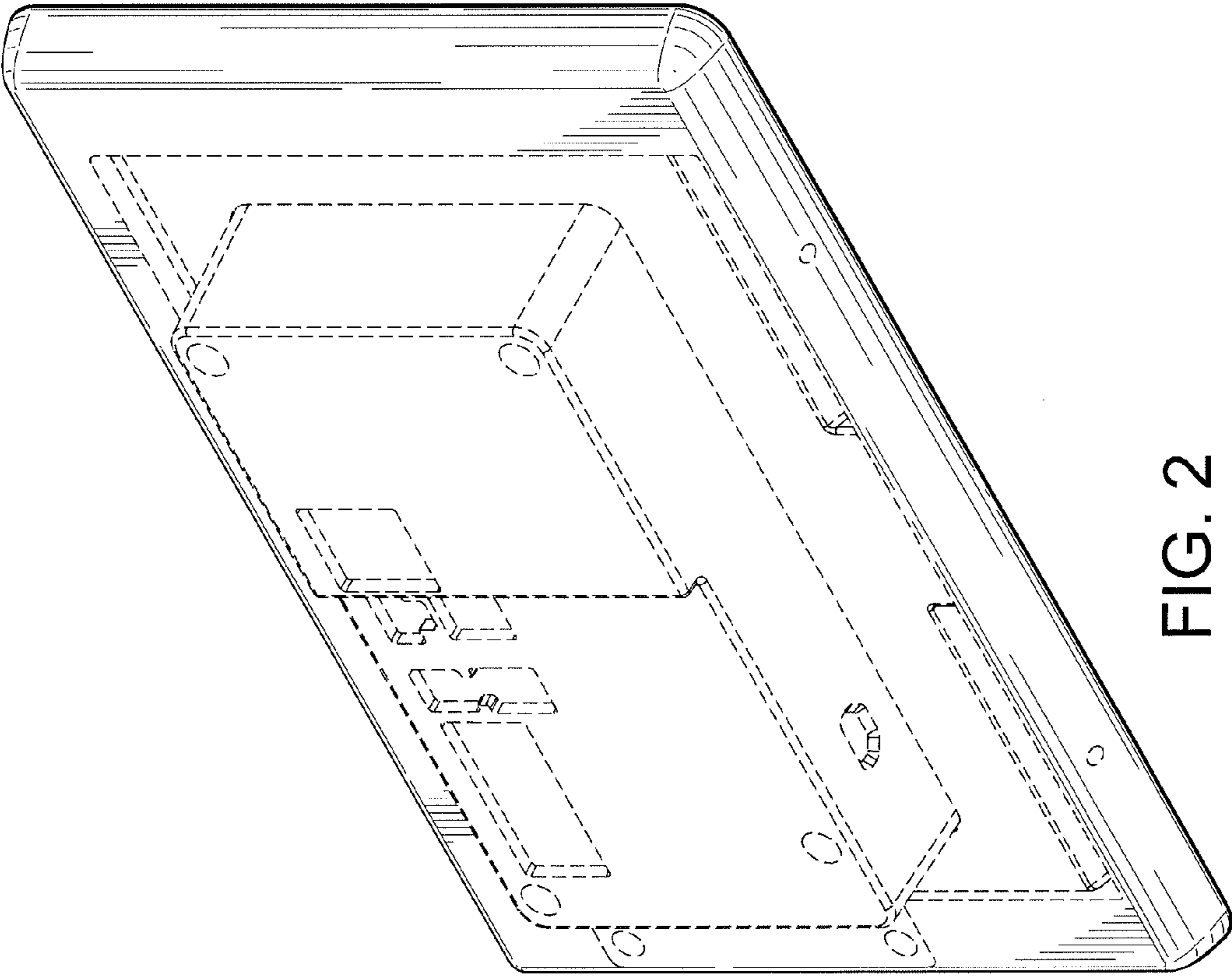


FIG. 2

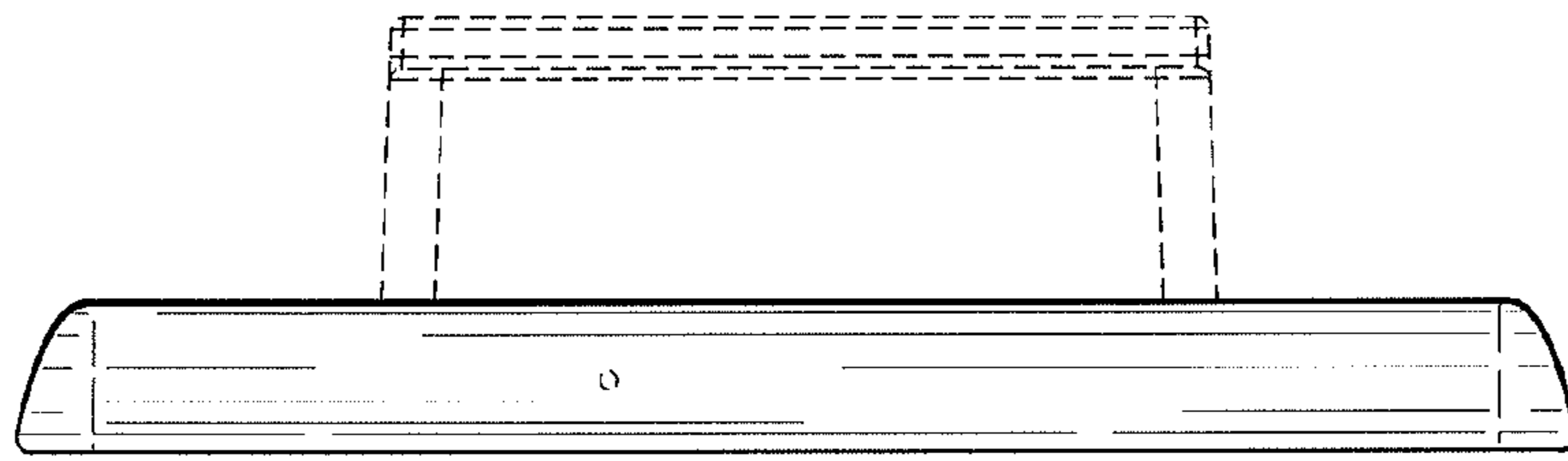


FIG. 4

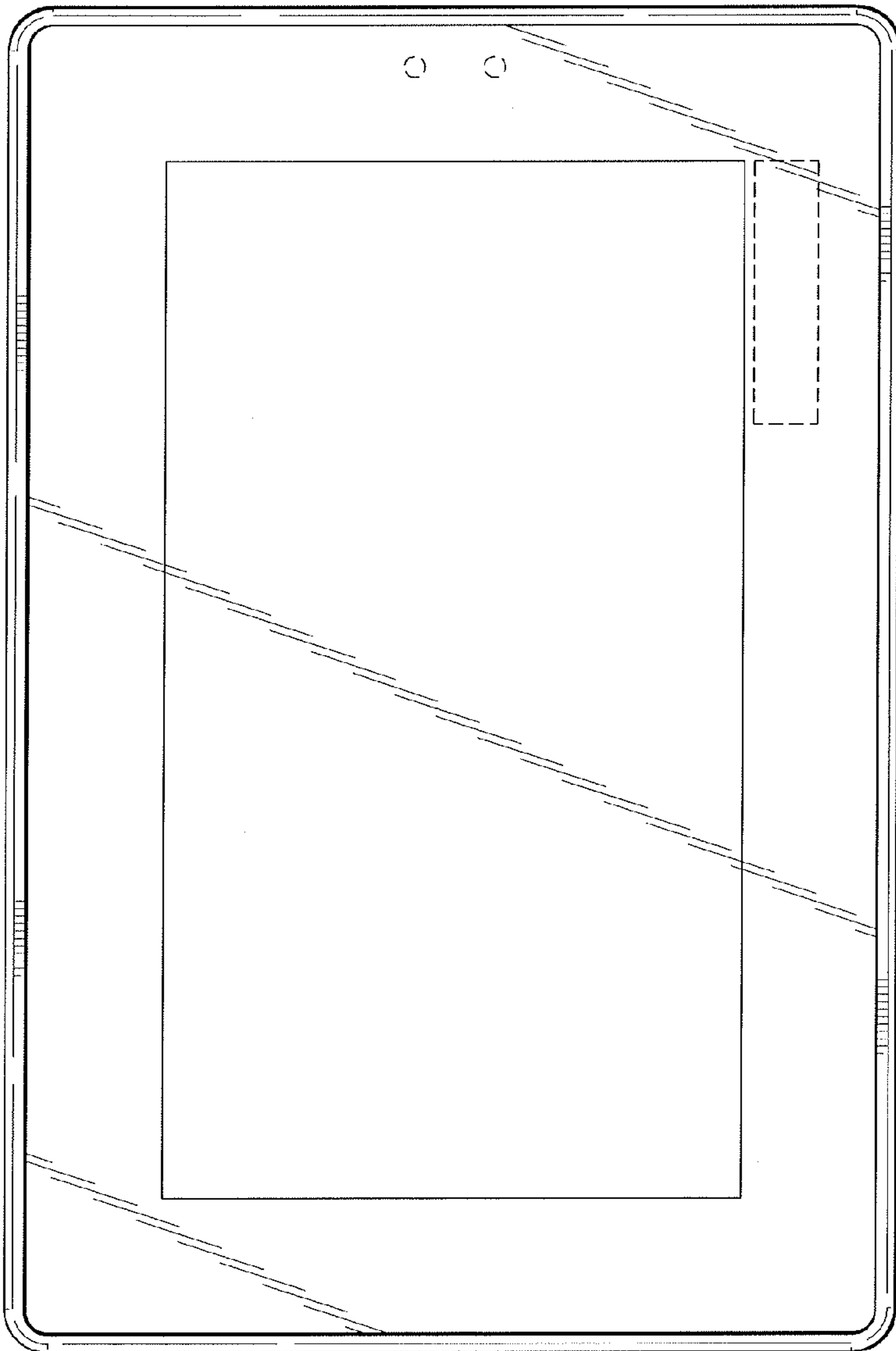


FIG. 3

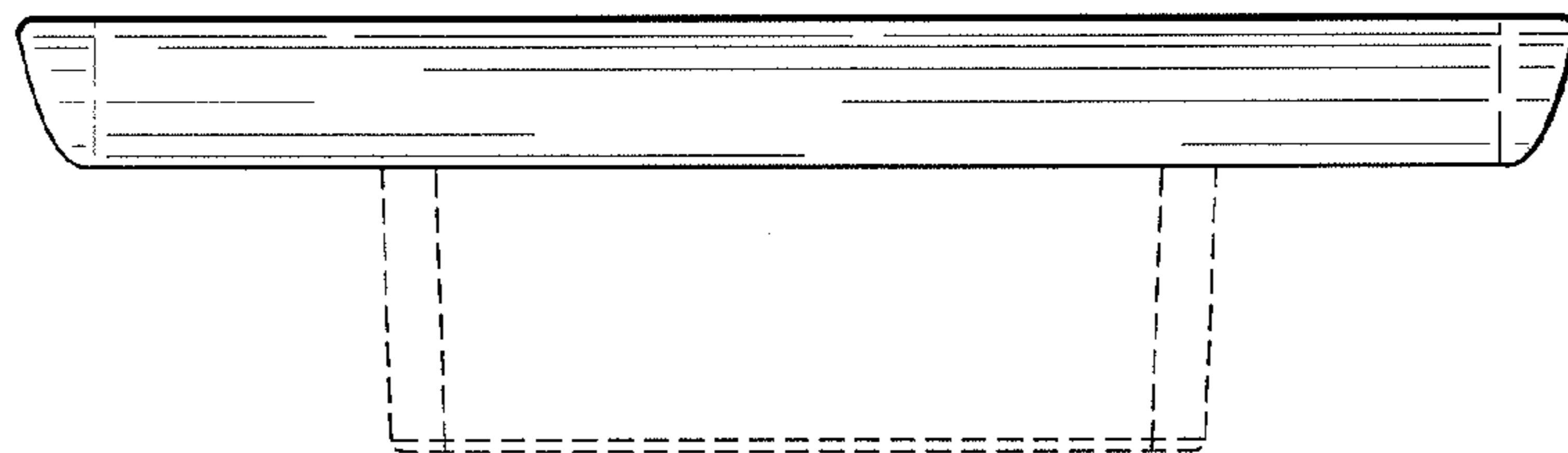


FIG. 6

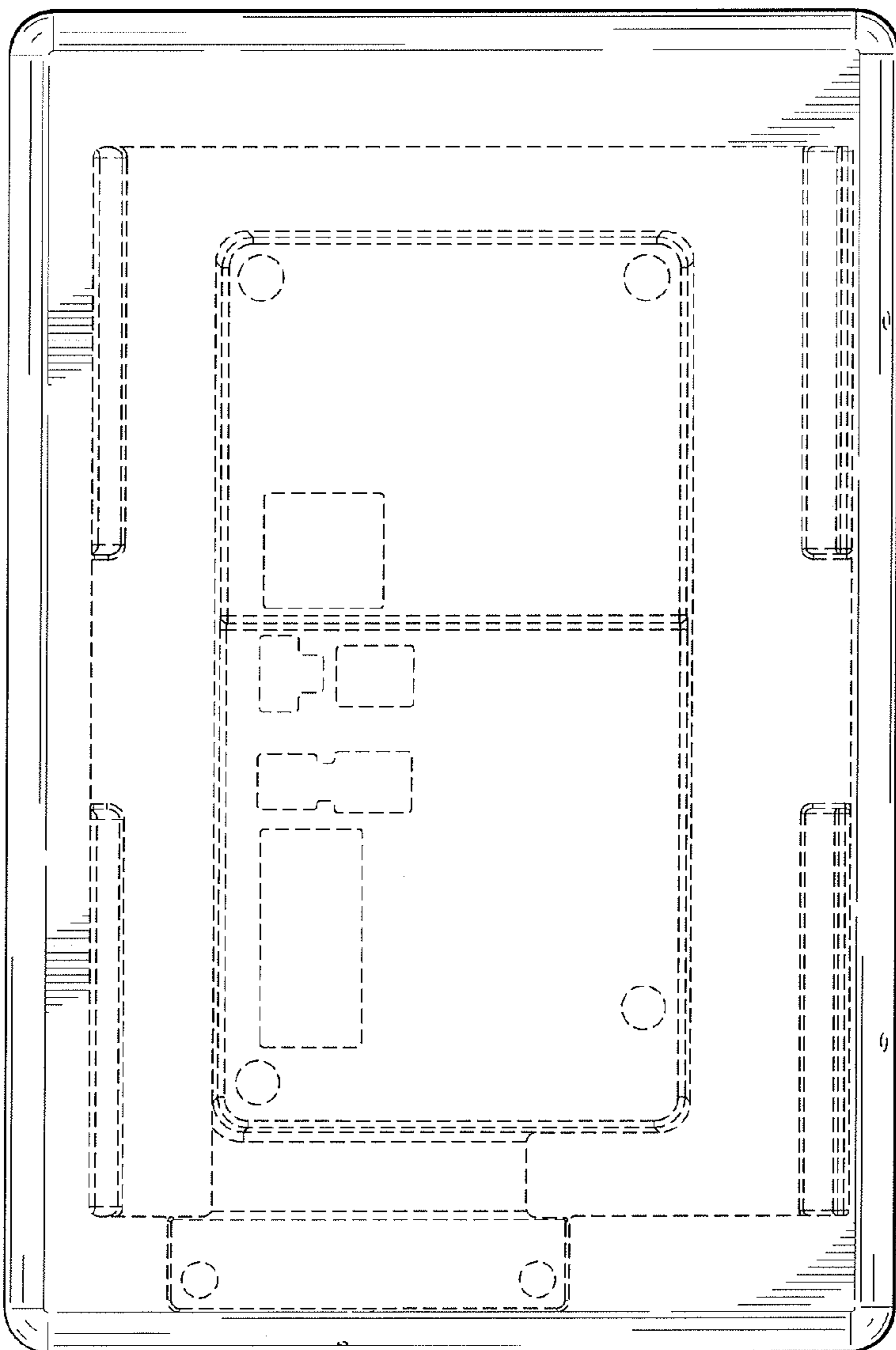


FIG. 5

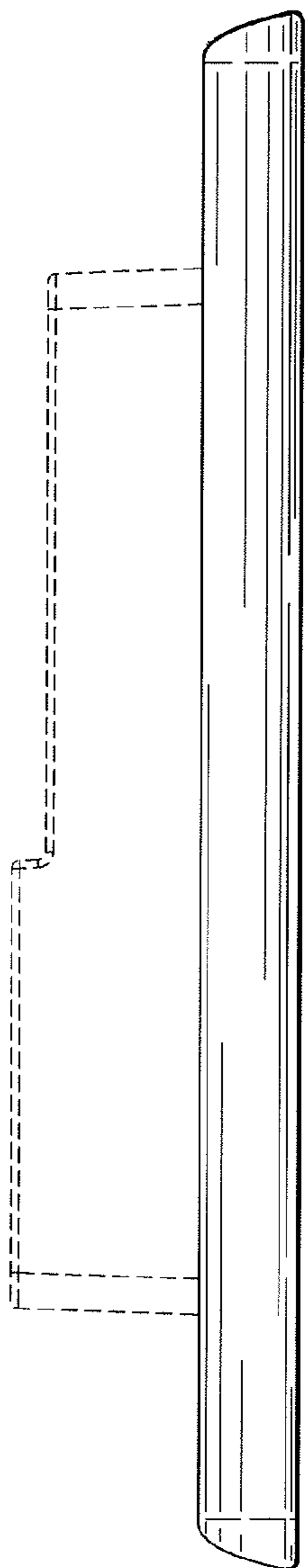


FIG. 7

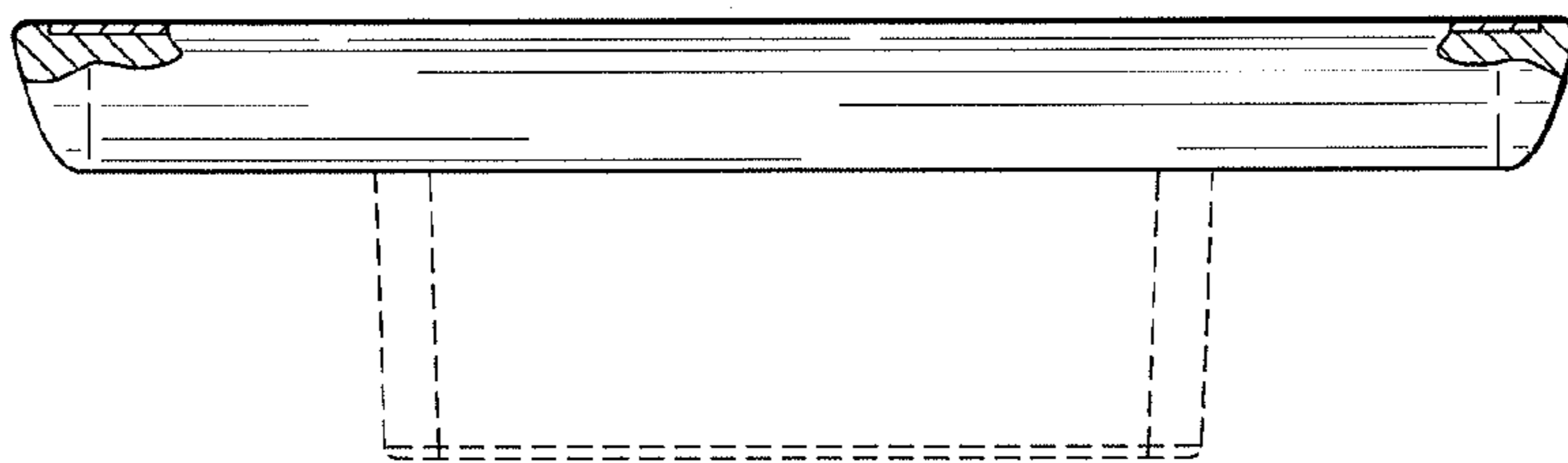


FIG. 9

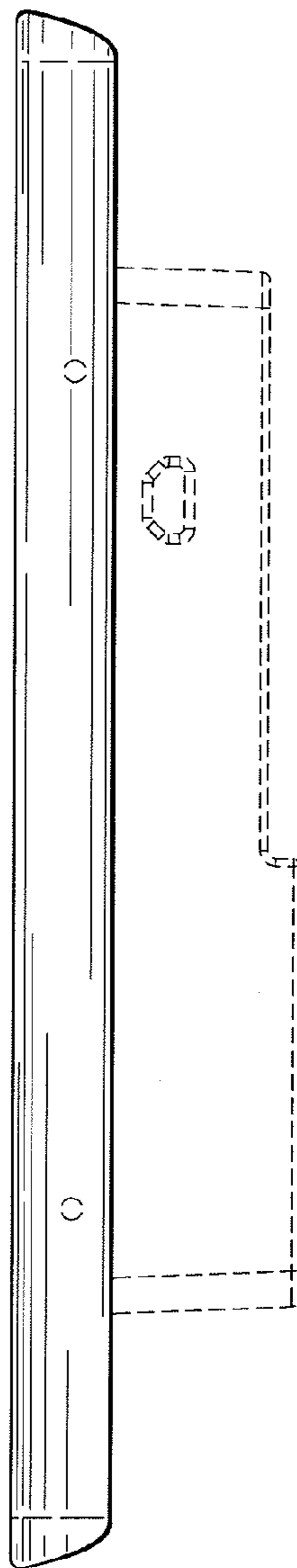


FIG. 8