



US00D729790S

(12) **United States Design Patent**  
**Baum et al.**

(10) **Patent No.:** **US D729,790 S**

(45) **Date of Patent:** **\*\* May 19, 2015**

(54) **FLEXIBLE GARMENT WITH SYMMETRICAL LEFT AND RIGHT THUMB OPENINGS**

(71) Applicants: **Lawrence M Baum**, Shaker Heights, OH (US); **Geoffrey S Gardner**, Solon, OH (US)

(72) Inventors: **Lawrence M Baum**, Shaker Heights, OH (US); **Geoffrey S Gardner**, Solon, OH (US)

(\*\*) Term: **14 Years**

(21) Appl. No.: **29/442,760**

(22) Filed: **May 9, 2013**

**Related U.S. Application Data**

(60) Continuation-in-part of application No. 12/584,292, filed on Sep. 1, 2009, now abandoned, and a continuation-in-part of application No. 29/421,455, filed on Jul. 30, 2012, now Pat. No. Des. 689,477, which is a division of application No. 29/370,825, filed on Sep. 10, 2010, now Pat. No. Des. 667,172.

(51) **LOC (10) Cl.** ..... **14-03**

(52) **U.S. Cl.**  
USPC ..... **D14/253**

(58) **Field of Classification Search**  
CPC ... A45C 2013/025; A45C 11/00; B65D 85/64  
USPC ..... D3/215, 218, 219, 224-226, 247-251,  
D3/230, 303; 224/219, 222, 269, 240, 583;  
206/320; D14/251-253

See application file for complete search history.

(56) **References Cited**

**U.S. PATENT DOCUMENTS**

57,283 A	8/1866	Brown	30/123.5
275,780 A	4/1883	Mahar	224/217
471,000 A	3/1892	Green	224/217
552,171 A	12/1895	Farnham	473/36
1,082,542 A	12/1913	Manson	223/101
1,189,924 A	7/1916	Blieux	224/222

1,199,635 A	9/1916	Urmston	224/218
1,817,212 A	8/1931	Siebrandt	602/21
1,872,218 A	8/1932	Asplund	359/517
2,077,202 A	4/1937	Hovey	128/133
2,388,330 A	11/1945	Jungmann	2/16
2,738,190 A	3/1956	Tureaud	273/54
2,749,000 A	6/1956	McKittrick	224/218
3,123,832 A	3/1964	Kubik	2/161

(Continued)

**OTHER PUBLICATIONS**

5-page printout from www.iskin.com describing product called Iskin-Pulse dated Sep. 9, 2010.

(Continued)

*Primary Examiner* — Randall Gholson

(74) *Attorney, Agent, or Firm* — David A. Burge

(57) **CLAIM**

We claim the ornamental design for a flexible garment with symmetrical left and right thumb openings, as shown and described.

**DESCRIPTION**

FIG. 1 is a front view showing our new design that includes a transparent pocket portion for containing a small portable electronic device;

FIG. 2 is a left side view thereof;

FIG. 3 is a rear view thereof, with a strap portion thereof foreshortened to indicate that it is of indefinite length;

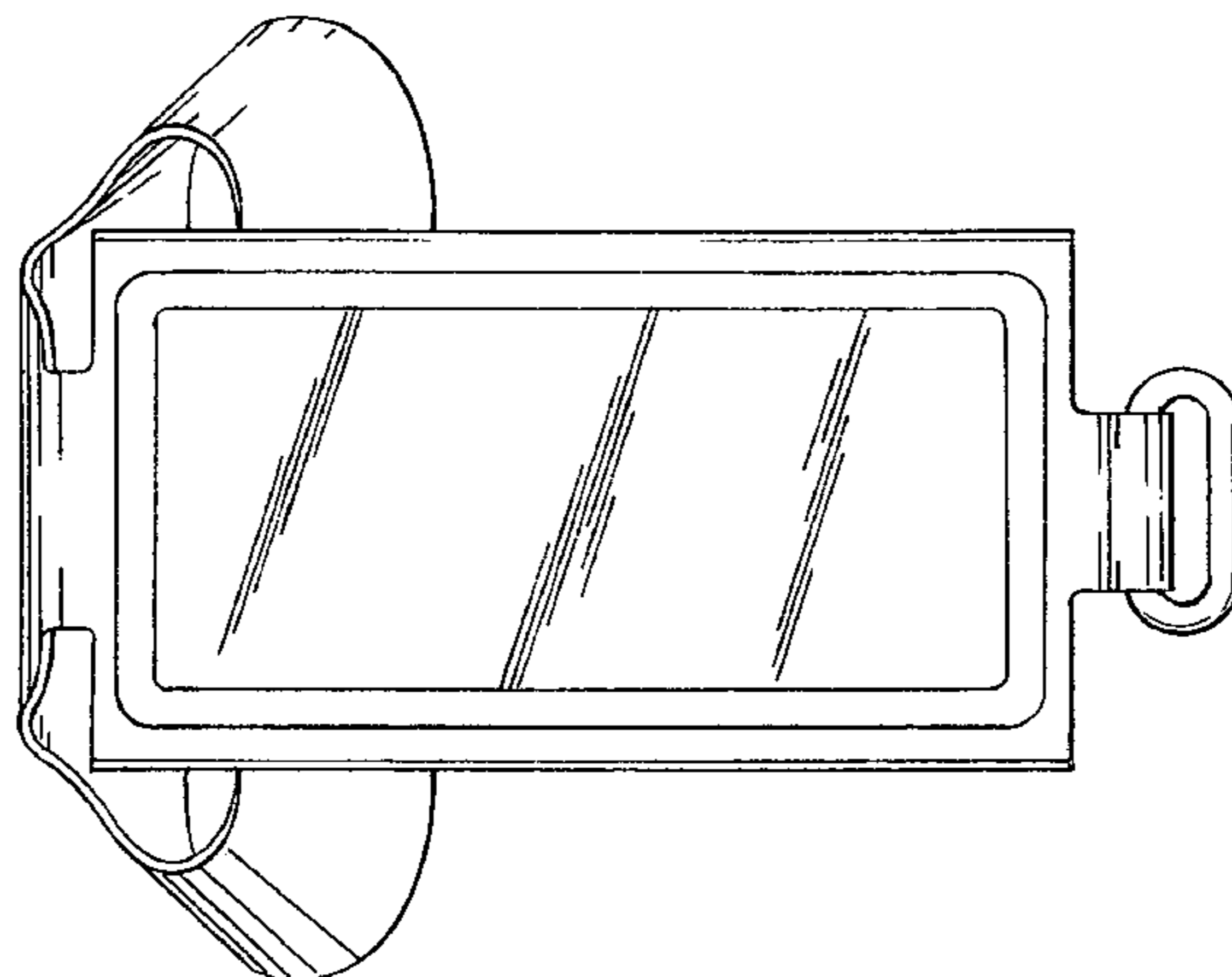
FIG. 4 is a right side view thereof; and,

FIG. 5 is a top view thereof, it being understood that a bottom view would be identical hereto.

Portions broken away or not shown form no part of the claimed design. No appearance feature of any part of the garment located behind a transparent window shown in FIG. 1 is claimed.

Because garments embodying features of the present invention are flexible, those skilled in the art will appreciate that configuration exhibited by the garment is likely to vary depending, at least in part, on how the garment is worn, positioned or supported.

**1 Claim, 3 Drawing Sheets**



(56)

## References Cited

## U.S. PATENT DOCUMENTS

- |              |      |         |                      |           |
|--------------|------|---------|----------------------|-----------|
| 3,146,463    | A    | 9/1964  | Wargo                | 2/20      |
| 3,369,258    | A    | 2/1968  | Smith                | 2/159     |
| 3,421,160    | A    | 1/1969  | Domenico             | 2/159     |
| 3,496,573    | A    | 2/1970  | Kuchar et al.        | 2/161     |
| 3,533,407    | A    | 10/1970 | Smith                | 128/165   |
| 3,583,704    | A    | 6/1971  | Callanan             | 273/54    |
| 3,598,408    | A    | 8/1971  | Klose                | 273/54    |
| 3,728,738    | A    | 4/1973  | Andolino             | 2/161     |
| 3,893,099    | A    | 7/1975  | Zoepfl               | 340/323   |
| D242,172     | S    | 11/1976 | Borenstein           | D24/4     |
| 4,062,540    | A    | 12/1977 | Calentine            | 273/54    |
| D248,258     | S    | 6/1978  | Munari               | D2/383    |
| 4,103,362    | A    | 8/1978  | Blakeman             | 2/161     |
| 4,135,653    | A    | 1/1979  | Sieloff              | 224/5     |
| 4,148,424    | A    | 4/1979  | Fortenberry          | 224/218   |
| D259,955     | S    | 7/1981  | Helferich            | D24/4     |
| 4,326,706    | A    | 4/1982  | Guthrie et al.       | 272/119   |
| 4,414,692    | A    | 11/1983 | Dzierson et al.      | 2/160     |
| 4,415,106    | A    | 11/1983 | Connell et al.       | 224/221   |
| 4,432,477    | A    | 2/1984  | Haidt et al.         | 224/222   |
| 4,447,912    | A    | 5/1984  | Morrow               | 2/159     |
| 4,463,879    | A    | 8/1984  | Des Voignes          | 222/175   |
| 4,477,005    | A    | 10/1984 | Martinez             | 224/218   |
| 4,500,019    | A *  | 2/1985  | Curley, Jr.          | 224/222   |
| 4,504,980    | A    | 3/1985  | Butcher              | 2/160     |
| 4,519,097    | A    | 5/1985  | Chappell, Jr. et al. | 2/16      |
| 4,556,215    | A    | 12/1985 | Tarbox et al.        | 482/105   |
| 4,575,075    | A    | 3/1986  | Tarbox et al.        | 482/105   |
| 4,606,484    | A    | 8/1986  | Winter et al.        | 224/218   |
| D287,640     | S    | 1/1987  | Primiano             | D24/6.4   |
| 4,638,511    | A    | 1/1987  | Haack                | 2/161     |
| 4,653,490    | A    | 3/1987  | Eisenberg            | 128/133   |
| 4,658,441    | A    | 4/1987  | Smith                | 2/16      |
| D293,387     | S    | 12/1987 | Wagner, II           | D2/630    |
| 4,746,043    | A    | 5/1988  | Booker               | 224/219   |
| D300,948     | S    | 5/1989  | Harris et al.        | D24/64    |
| 4,923,418    | A    | 5/1990  | Hoffman              | 441/57    |
| 4,938,487    | A    | 7/1990  | Ponsart              | 473/60    |
| 4,953,568    | A    | 9/1990  | Theisler             | 128/878   |
| 5,003,637    | A    | 4/1991  | Lonon                | 2/160     |
| 5,088,121    | A    | 2/1992  | Wallace              | 2/160     |
| 5,160,314    | A    | 11/1992 | Peters               | 602/21    |
| 5,170,917    | A    | 12/1992 | Tourigny             | 224/221   |
| 5,222,643    | A    | 6/1993  | Platt                | 224/218   |
| 5,276,922    | A    | 1/1994  | Floyd                | 2/160     |
| 5,335,916    | A    | 8/1994  | Nee                  | 273/346   |
| 5,350,418    | A *  | 9/1994  | Janevski et al.      | 607/111   |
| 5,413,553    | A    | 5/1995  | Downes               | 602/21    |
| D363,146     | S    | 10/1995 | Pando                | D29/113   |
| 5,511,702    | A    | 4/1996  | Yang                 | 224/219   |
| D371,675     | S    | 7/1996  | Carter               | D3/215    |
| 5,542,588    | A    | 8/1996  | Sison                | 224/218   |
| D373,639     | S    | 9/1996  | McKie                | D24/190   |
| 5,566,389    | A    | 10/1996 | Li                   | 2/16      |
| 5,577,273    | A    | 11/1996 | Newkirk              | 2/160     |
| 5,638,767    | A    | 6/1997  | Bush                 | 116/139   |
| 5,678,730    | A    | 10/1997 | Fabek et al.         | 222/78    |
| 5,850,954    | A    | 12/1998 | Dong-Joo             | 224/197   |
| D406,455     | S    | 3/1999  | Wagner, II           | D3/226    |
| 5,899,870    | A    | 5/1999  | Deirmendjian et al.  | 602/21    |
| 5,924,136    | A    | 7/1999  | Ogean                | 2/759     |
| 5,943,701    | A    | 8/1999  | Seats                | 2/160     |
| 5,971,240    | A    | 10/1999 | Dequaine             | 224/217   |
| 6,000,058    | A    | 12/1999 | Iselin               | 2/160     |
| 6,142,966    | A    | 11/2000 | Hely                 | 602/64    |
| 6,217,095    | B1   | 4/2001  | Yamada               | 294/149   |
| 6,227,424    | B1 * | 5/2001  | Roegner              | 224/219   |
| D447,623     | S    | 9/2001  | Troska               | D3/215    |
| 6,325,772    | B1   | 12/2001 | Scheuermann et al.   | 602/22    |
| 6,360,684    | B1   | 3/2002  | Quaglia              | 116/222   |
| 6,530,509    | B1 * | 3/2003  | Davis                | 224/219   |
| 6,629,628    | B1   | 10/2003 | Canepari et al.      | 229/222   |
| 6,702,496    | B1   | 3/2004  | Park                 | 401/131   |
| D490,239     | S    | 5/2004  | Wagner, II           | D3/226    |
| D490,974     | S    | 6/2004  | Wagner, II           | D3/226    |
| 6,783,507    | B1   | 8/2004  | Fisher               | 602/22    |
| D504,224     | S    | 4/2005  | Sexson               | D3/218    |
| 6,880,737    | B2   | 4/2005  | Bauer                | 224/246   |
| D506,058     | S    | 6/2005  | Sexson               | D3/218    |
| D512,834     | S    | 12/2005 | Wagner, II           | D3/226    |
| D513,865     | S    | 1/2006  | Wagner, II           | D3/226    |
| D514,772     | S    | 2/2006  | Bevier               | D2/623    |
| D515,805     | S    | 2/2006  | Jones                | D3/215    |
| D526,479     | S    | 8/2006  | Brandenburg          | D3/218    |
| D536,867     | S    | 2/2007  | Sexson               | D3/218    |
| D537,623     | S    | 3/2007  | Dennis et al.        | D3/218    |
| D541,042     | S *  | 4/2007  | Andre et al.         | D3/218    |
| D541,044     | S    | 4/2007  | Wagner, II           | D3/226    |
| D543,352     | S    | 5/2007  | Goradesky et al.     | D3/218    |
| 7,243,824    | B2   | 7/2007  | Tabata               | 224/221   |
| D554,365     | S    | 11/2007 | Zhou                 | D3/218    |
| D555,353     | S    | 11/2007 | Kennedy              | D3/218    |
| 7,334,711    | B1   | 2/2008  | Winters              | 224/217   |
| 7,364,556    | B2   | 4/2008  | Weaver, II           | 602/5     |
| D570,598     | S    | 6/2008  | Chan                 | D3/218    |
| D576,791     | S    | 9/2008  | Wagner, II           | D3/226    |
| D576,792     | S    | 9/2008  | Wagner, II           | D3/226    |
| D580,599     | S    | 11/2008 | Marino               | D29/113   |
| 7,469,809    | B2   | 12/2008 | Rodarte et al.       | 224/578   |
| D584,822     | S    | 1/2009  | Weber                | D24/190   |
| D596,828     | S    | 7/2009  | Sofer et al.         | D2/617    |
| D599,108     | S *  | 9/2009  | Brandenburg          | D3/218    |
| 7,584,841    | B2   | 9/2009  | Chan et al.          | 206/45.23 |
| 7,616,097    | B1   | 11/2009 | Whang                | 340/321   |
| D607,198     | S    | 1/2010  | Andre et al.         | D3/218    |
| 7,641,046    | B2   | 1/2010  | Tsang et al.         | 206/320   |
| 7,673,745    | B2   | 3/2010  | Sirichai et al.      | 206/45.23 |
| 7,735,644    | B2   | 6/2010  | Sirichai et al.      | 206/320   |
| D620,706     | S    | 8/2010  | Wagner, II           | D3/226    |
| D622,058     | S    | 8/2010  | Wagner, II           | D3/226    |
| 7,780,047    | B2   | 8/2010  | Chen et al.          | 224/218   |
| D623,404     | S    | 9/2010  | Andre et al.         | D3/218    |
| D623,852     | S *  | 9/2010  | Kroll                | D3/226    |
| D628,375     | S    | 12/2010 | Andre et al.         | D3/218    |
| D633,215     | S    | 2/2011  | Steele               | D24/199   |
| 7,942,293    | B2 * | 5/2011  | Lawrence et al.      | 224/218   |
| 7,959,351    | B1   | 6/2011  | Thorpe               | 368/282   |
| 8,060,948    | B2   | 11/2011 | Pesic                | 2/161.5   |
| D651,793     | S    | 1/2012  | Willows et al.       | D3/226    |
| D677,252     | S    | 3/2013  | Baum et al.          | D19/253   |
| 2002/0126217 | A1   | 9/2002  | Arakane et al.       | 348/375   |
| 2003/0019894 | A1   | 1/2003  | Caldana              | 224/165   |
| 2003/0066856 | A1   | 4/2003  | Lehtonen             | 224/675   |
| 2006/0076381 | A1   | 4/2006  | Rodarte et al.       | 224/600   |
| 2007/0083979 | A1   | 4/2007  | Daniels              | 2/160     |
| 2007/0235492 | A1   | 10/2007 | Sirichai et al.      | 224/930   |
| 2008/0017678 | A1   | 1/2008  | Anderson et al.      | 224/221   |
| 2008/0083631 | A1   | 4/2008  | Tsang et al.         | 206/320   |
| 2008/0164174 | A1   | 7/2008  | Chan et al.          | 206/474   |
| 2008/0194139 | A1   | 8/2008  | Chan                 | 439/521   |
| 2008/0302687 | A1   | 12/2008 | Sirichai et al.      | 206/320   |
| 2011/0057002 | A1   | 3/2011  | Westra et al.        | 224/218   |

## OTHER PUBLICATIONS

1-page printout from <http://appadvice.com/appnn/2010/08> also described Iskin-Pulse product dated Sep. 9, 2010.

Belkin hand band iPod carrying case. 2-page catalog depiction printed from [www.belkin.com](http://www.belkin.com) & from [www.slashgear.com](http://www.slashgear.com) Sep. 9, 2009.

\* cited by examiner

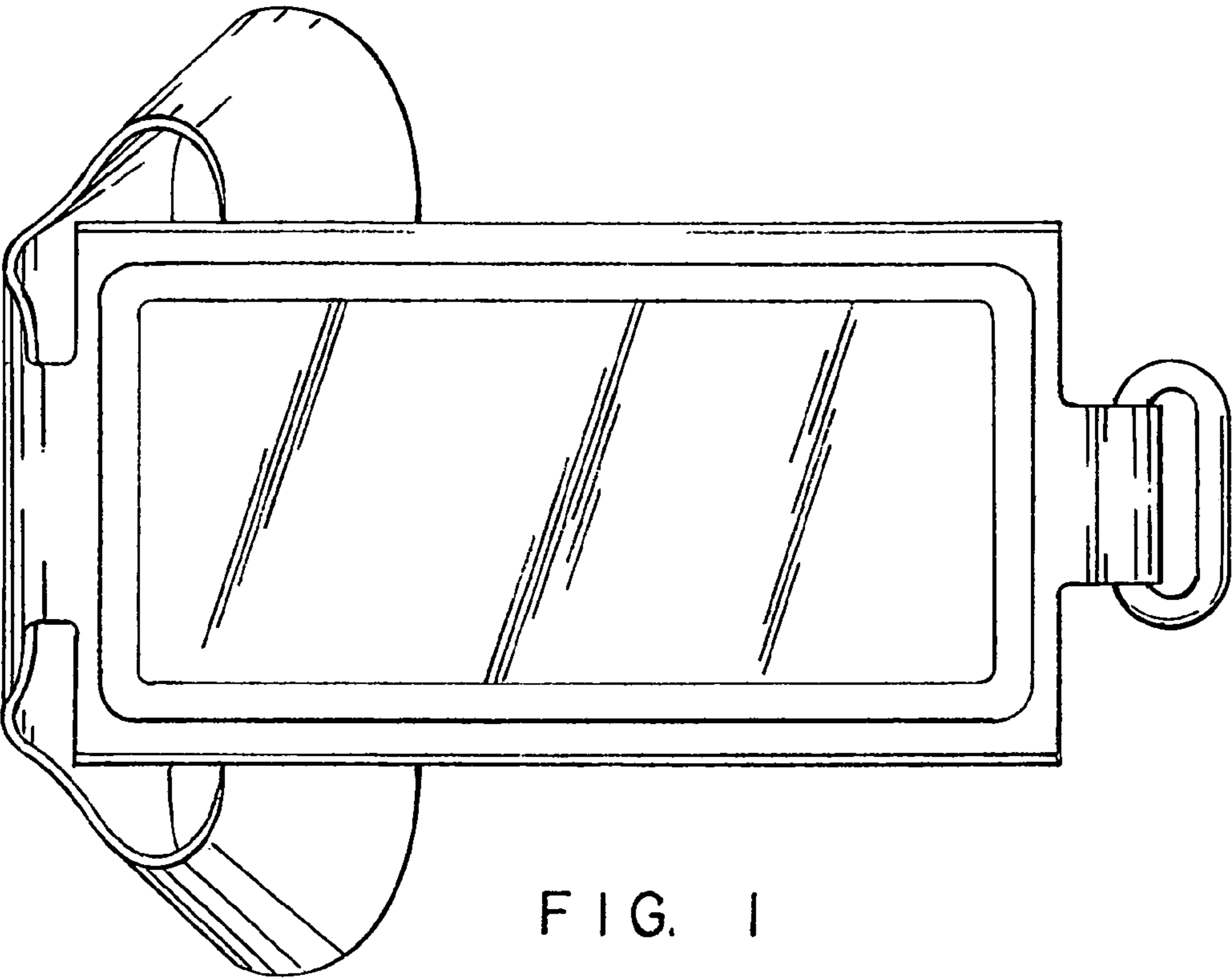


FIG. 1

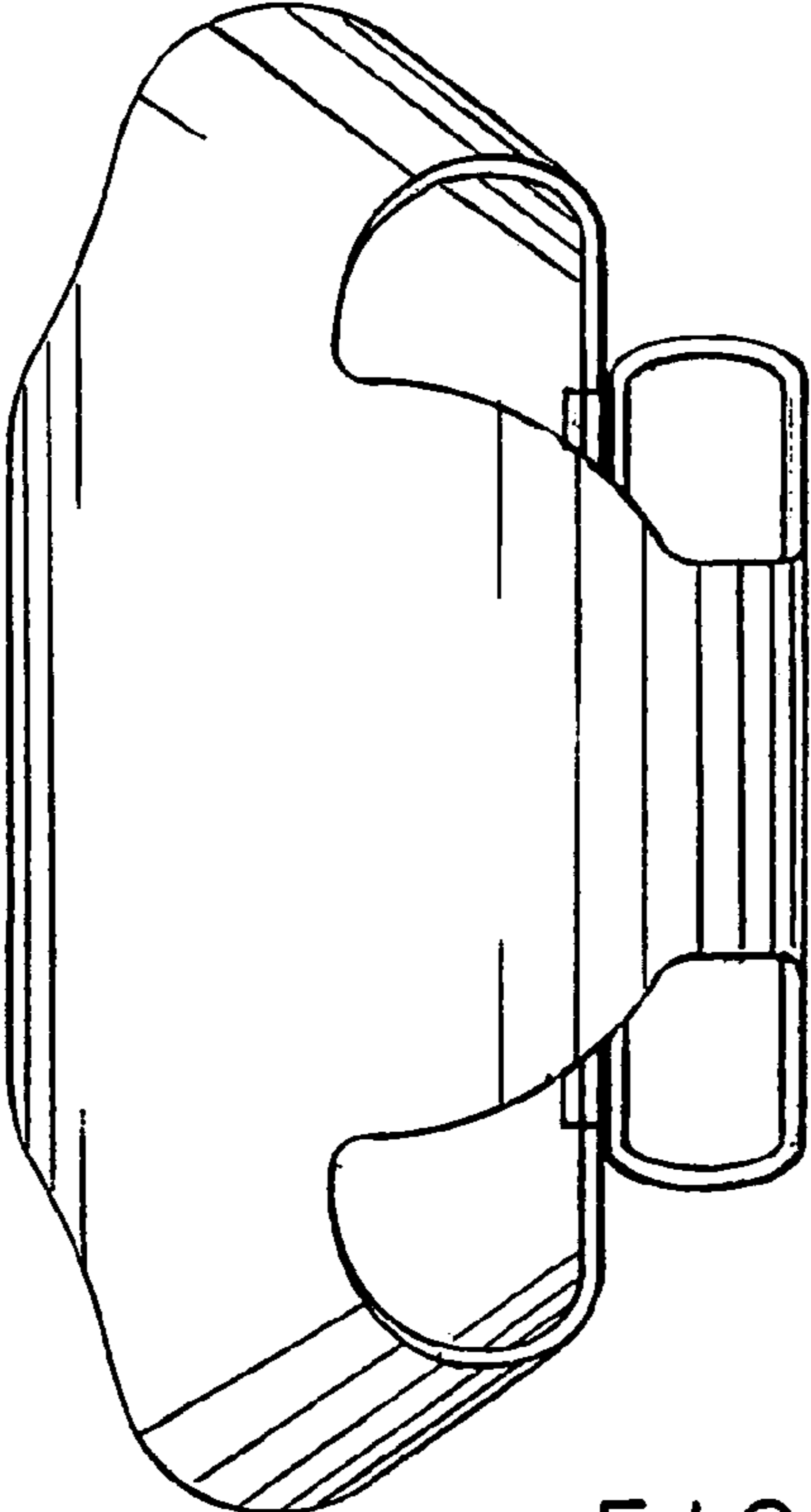


FIG. 2

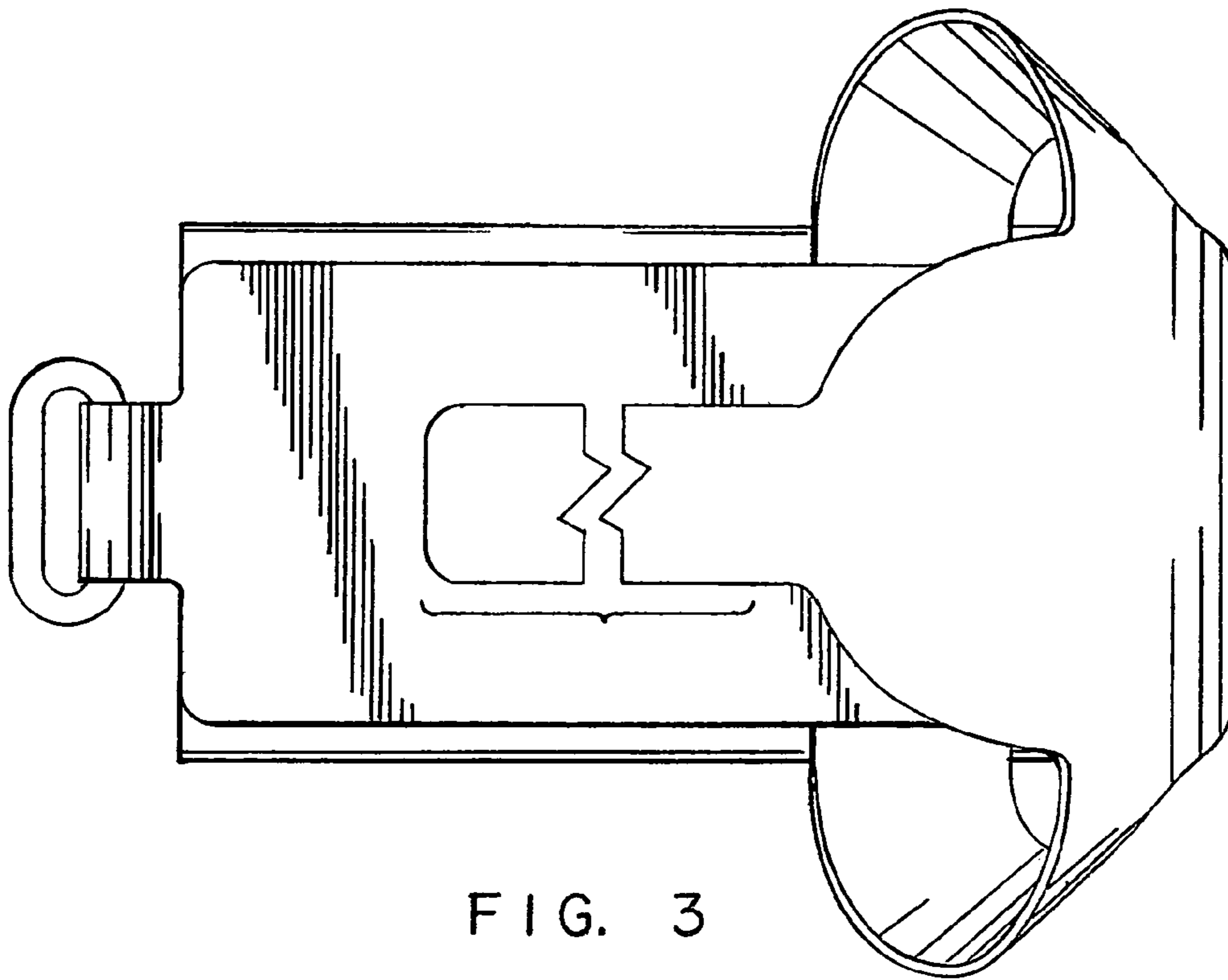


FIG. 3

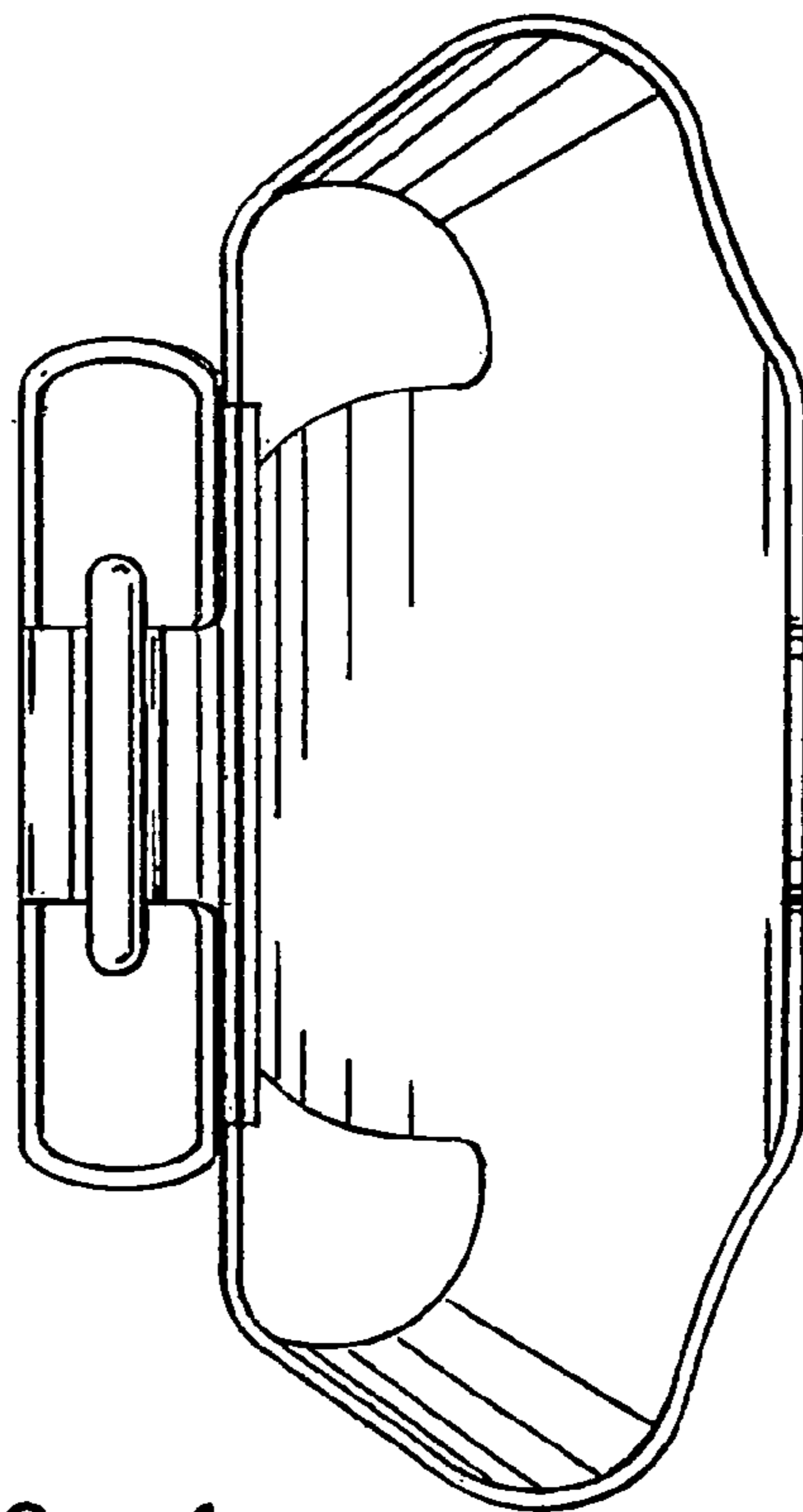


FIG. 4

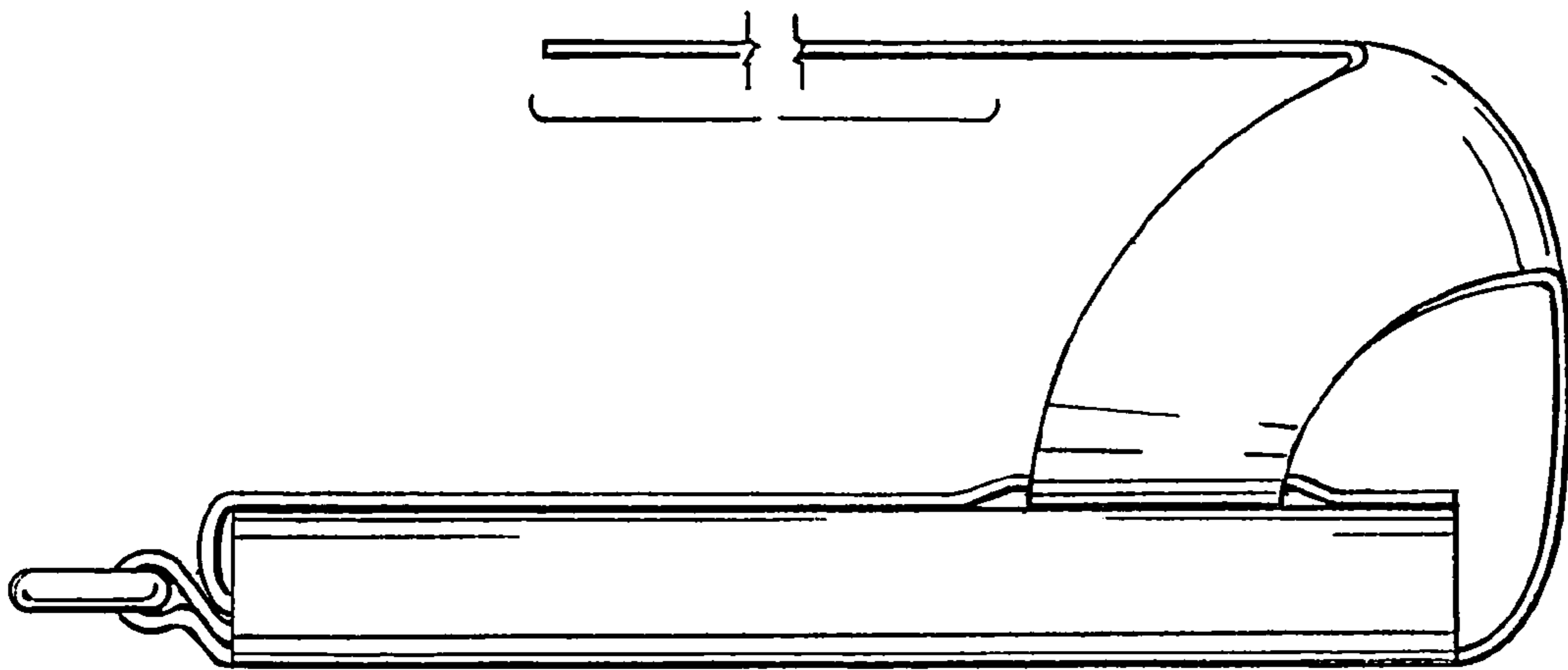


FIG. 5