



US00D729789S

(12) **United States Design Patent**
Jeon et al.

(10) **Patent No.:** **US D729,789 S**
(45) **Date of Patent:** **** May 19, 2015**

(54) **STAND FOR TELEPHONE**
(71) Applicant: **Samsung Electronics Co., Ltd.**,
Suwon-si, Gyeonggi-do (KR)
(72) Inventors: **So-Yoon Jeon**, Guri-si (KR); **Eun-Ae Shally Lee**, Seoul (KR); **Bum-Ho Chun**,
Seoul (KR)
(73) Assignee: **SAMSUNG ELECTRONICS CO., LTD.** (KR)
(**) Term: **14 Years**

D249,873 S * 10/1978 Zabransky D10/26
D276,012 S * 10/1984 Westcott et al. D6/301
D279,185 S * 6/1985 Felix et al. D14/251
4,527,018 A * 7/1985 Offredi 455/575.1
D306,732 S * 3/1990 Ward D14/251
D308,522 S * 6/1990 Swinburne D14/251
D317,311 S * 6/1991 Anderson et al. D14/240
D326,649 S * 6/1992 Joffe et al. D14/142
D335,963 S * 6/1993 Tracey D6/310
D345,308 S * 3/1994 Kanai D10/26
D381,338 S * 7/1997 Johansson D14/253
D413,118 S * 8/1999 Waldner D14/149
D420,927 S * 2/2000 Yano D10/80
D439,246 S * 3/2001 Hansen, Jr. D14/253
D449,601 S * 10/2001 Baldwin et al. D14/336

(Continued)

(21) Appl. No.: **29/479,285**
(22) Filed: **Jan. 14, 2014**
(30) **Foreign Application Priority Data**
Jul. 19, 2013 (KR) 30-2013-0037421

Primary Examiner — Susan Bennett Hattan
Assistant Examiner — Marie Fast Horse
(74) *Attorney, Agent, or Firm* — Cantor Colburn LLP

(51) **LOC (10) Cl.** **14-03**
(52) **U.S. Cl.**
USPC **D14/251**

(57) **CLAIM**
We claim, the ornamental design for a stand for telephone, as shown and described.

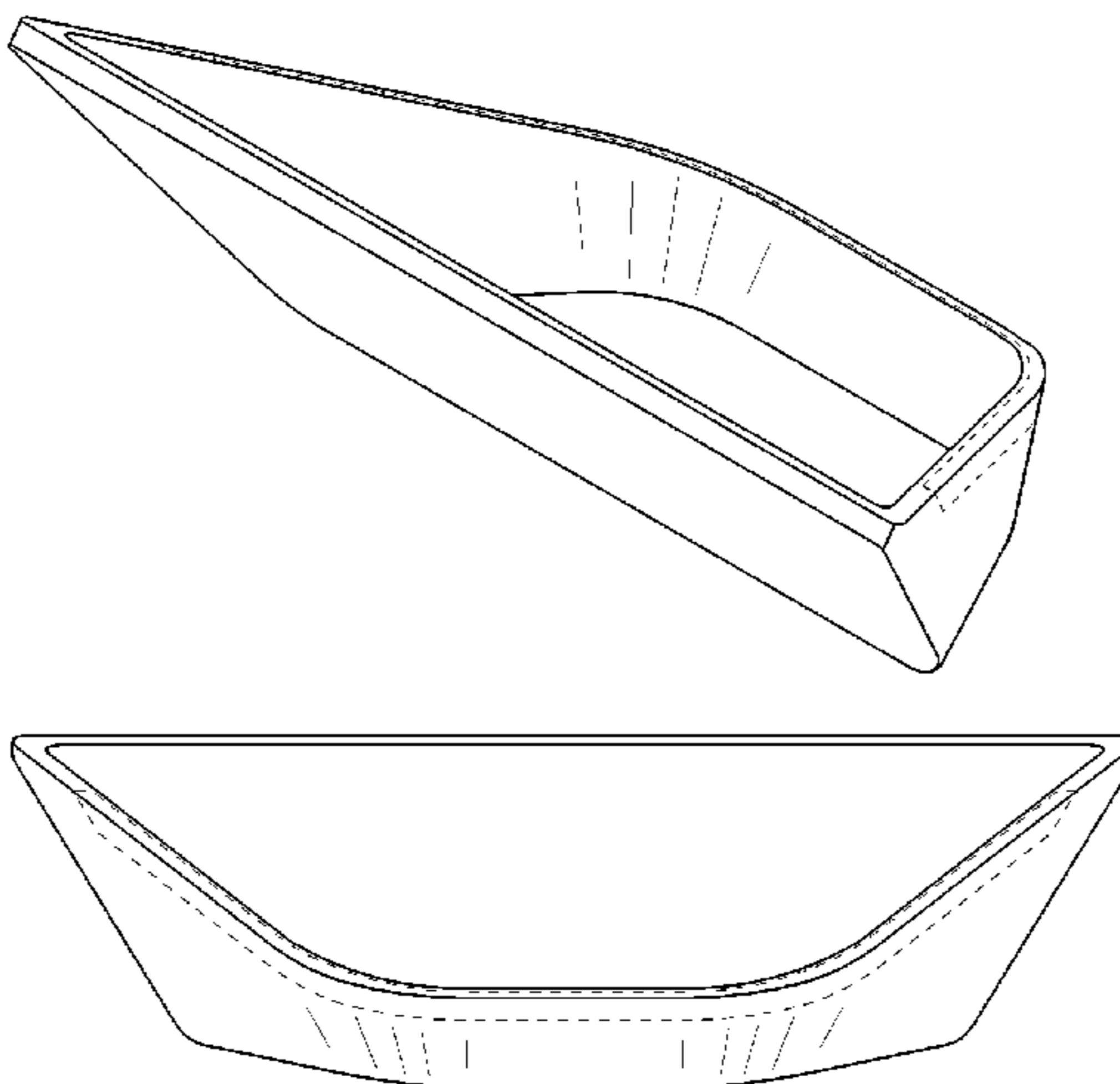
(58) **Field of Classification Search**
CPC F16M 11/00; H04M 1/04; H04M 1/12
USPC D14/151, 130, 142, 144, 149, 150, 155,
D14/158, 159, 217, 226, 229, 240, 251–253,
D14/307, 336, 399, 329; D21/517;
D13/107, 108, 168; D10/1–4, 15,
D10/23–27, 65; D8/349; D6/310;
379/88.17, 90.01, 93.17, 93.23,
379/387.01, 388.02, 419–420.04, 420.02,
379/428.01–428.04, 434–436, 440,
379/446–447, 454–455; 455/575.1
See application file for complete search history.

DESCRIPTION

FIG. 1 is a front perspective view of a stand for telephone showing our new design;
FIG. 2 is a front view thereof;
FIG. 3 is a rear view thereof;
FIG. 4 is a side view thereof;
FIG. 5 is another side view thereof;
FIG. 6 is a top view thereof;
FIG. 7 is a bottom view thereof;
FIG. 8 is another front perspective view thereof, in which the stand for telephone is shown in a telephone environment;
FIG. 9 is another side view thereof, in which the stand for telephone is shown in another position; and,
FIG. 10 is another side view thereof, in which the stand for telephone is shown in another position.
The broken lines in the drawings depict environmental structure only and form no part of the claimed design.

(56) **References Cited**
U.S. PATENT DOCUMENTS
D133,117 S * 7/1942 Mathieson D14/253
3,891,177 A * 6/1975 Jerrel 248/352

1 Claim, 5 Drawing Sheets



(56)

References Cited

U.S. PATENT DOCUMENTS

| | | | | | | | |
|--------------|---------|----------------------|-----------|-------------------|---------|----------------------|---------|
| D453,153 S * | 1/2002 | Yu et al. | D14/240 | D614,617 S * | 4/2010 | Pepper et al. | D14/336 |
| D456,020 S * | 4/2002 | Obata et al. | D14/336 | D617,301 S * | 6/2010 | Furuno et al. | D14/149 |
| D465,474 S * | 11/2002 | Lum | D14/217 | D617,302 S * | 6/2010 | Nakajima et al. | D14/149 |
| D472,227 S * | 3/2003 | Takayama et al. | D14/151 | D658,175 S * | 4/2012 | Goetzen | D14/371 |
| D473,203 S * | 4/2003 | Enos et al. | D14/158 | D661,266 S * | 6/2012 | Laube et al. | D14/126 |
| D507,263 S * | 7/2005 | Narita | D14/240 | D671,518 S * | 11/2012 | Ookawa et al. | D14/149 |
| D550,644 S * | 9/2007 | Cho et al. | D14/151 | D671,544 S * | 11/2012 | Chun et al. | D14/447 |
| D556,181 S * | 11/2007 | Liu | D14/151 | D675,592 S * | 2/2013 | Fuxen | D14/151 |
| D557,259 S * | 12/2007 | Hirsch | D14/217 | D681,027 S * | 4/2013 | Fuxen | D14/251 |
| D570,345 S * | 6/2008 | Lee et al. | D14/336 | D683,141 S * | 5/2013 | Symons | D6/310 |
| D573,974 S * | 7/2008 | Liu | D14/140.8 | D699,713 S * | 2/2014 | Seong | D14/239 |
| D580,384 S * | 11/2008 | Katayama et al. | D14/126 | D702,243 S * | 4/2014 | Oh et al. | D14/447 |
| D582,886 S * | 12/2008 | Woo et al. | D14/151 | D703,675 S * | 4/2014 | Jensen et al. | D14/447 |
| D592,625 S * | 5/2009 | Hwang | D14/130 | D707,624 S * | 6/2014 | Morrison et al. | D13/108 |
| D594,439 S * | 6/2009 | Jeon et al. | D14/151 | D709,852 S * | 7/2014 | Yoshida | D14/151 |
| D608,759 S * | 1/2010 | Chun et al. | D14/151 | D714,749 S * | 10/2014 | Park et al. | D14/126 |
| D611,845 S * | 3/2010 | Sadler et al. | D10/53 | D719,938 S * | 12/2014 | Kim et al. | D14/239 |
| | | | | 2005/0069126 A1 * | 3/2005 | Xue | 379/454 |
| | | | | 2006/0231703 A1 * | 10/2006 | Gibson | 248/200 |

* cited by examiner

FIG.1

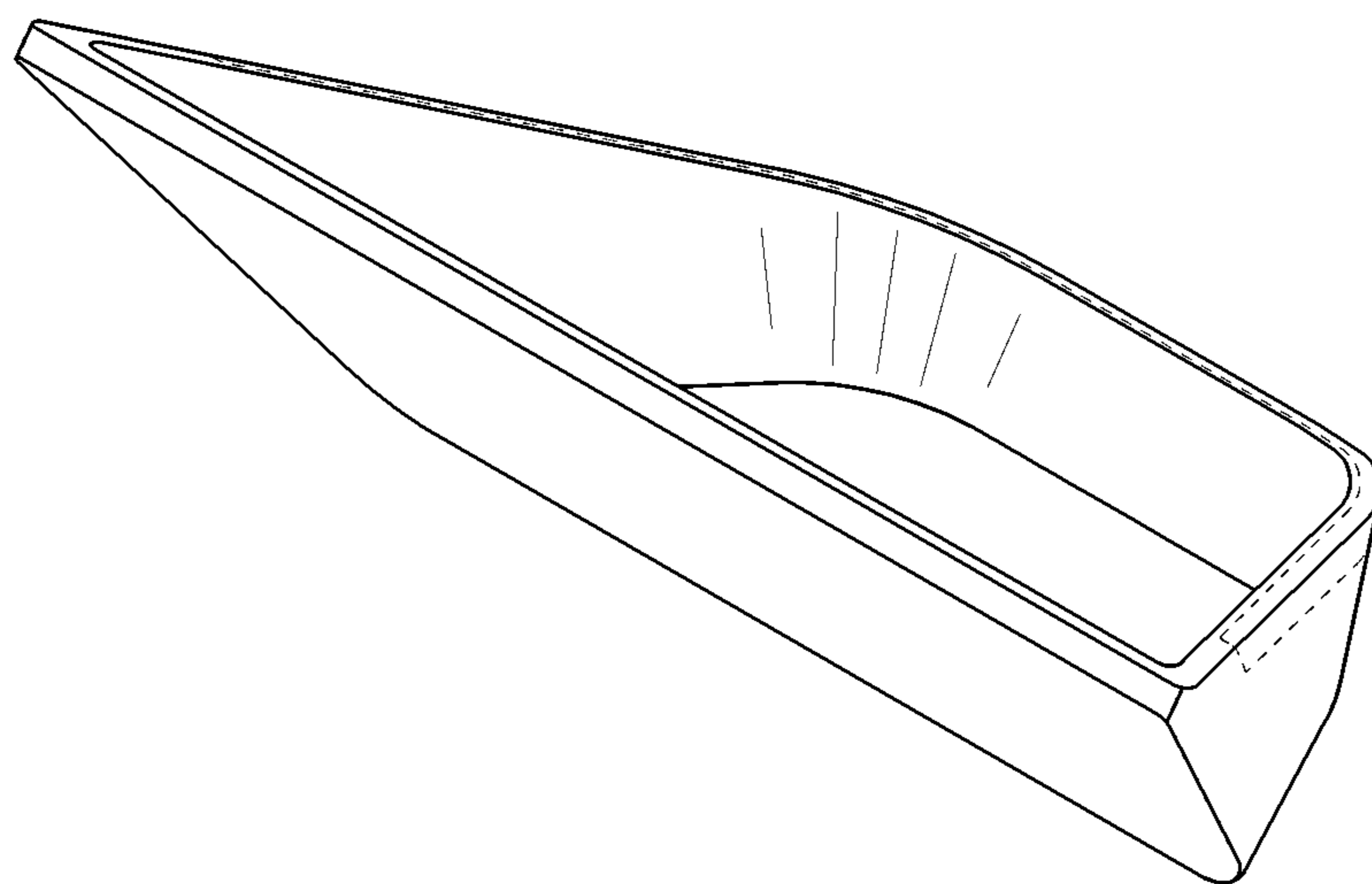


FIG.2

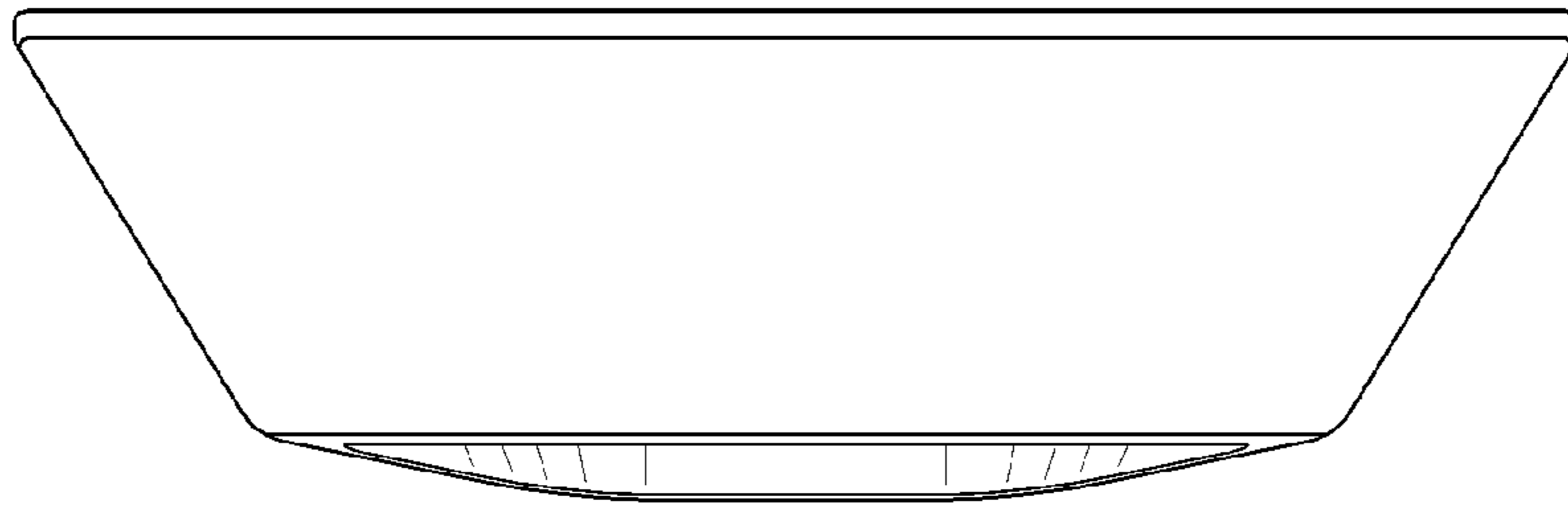


FIG.3

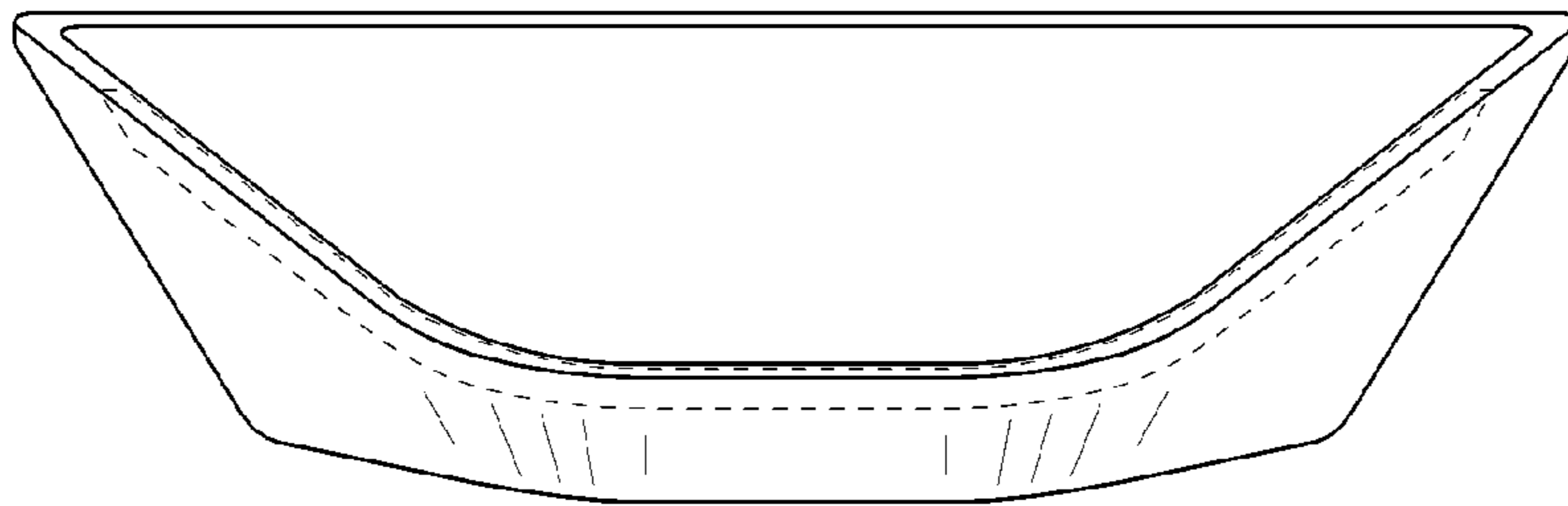


FIG.4

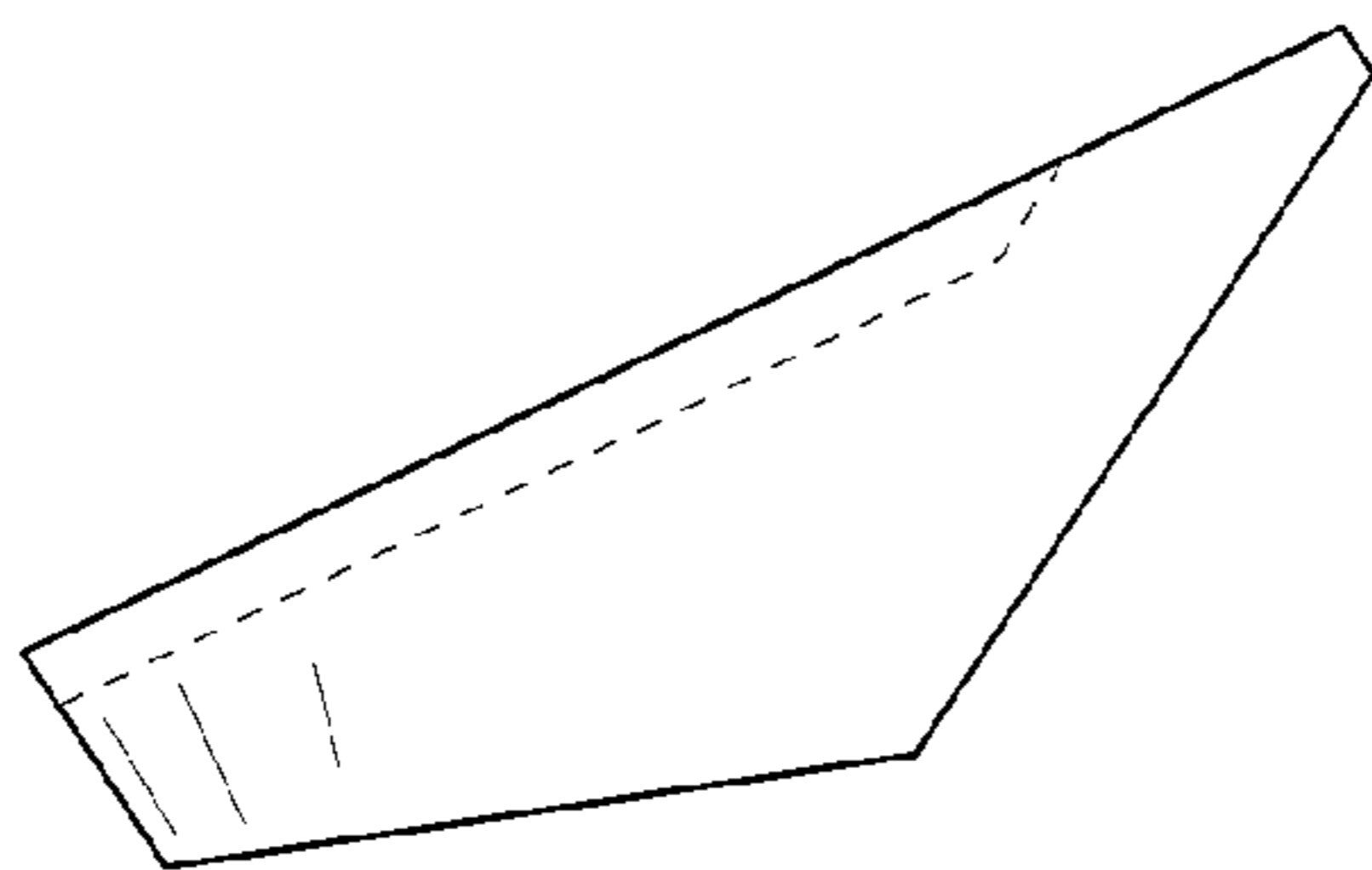


FIG.5

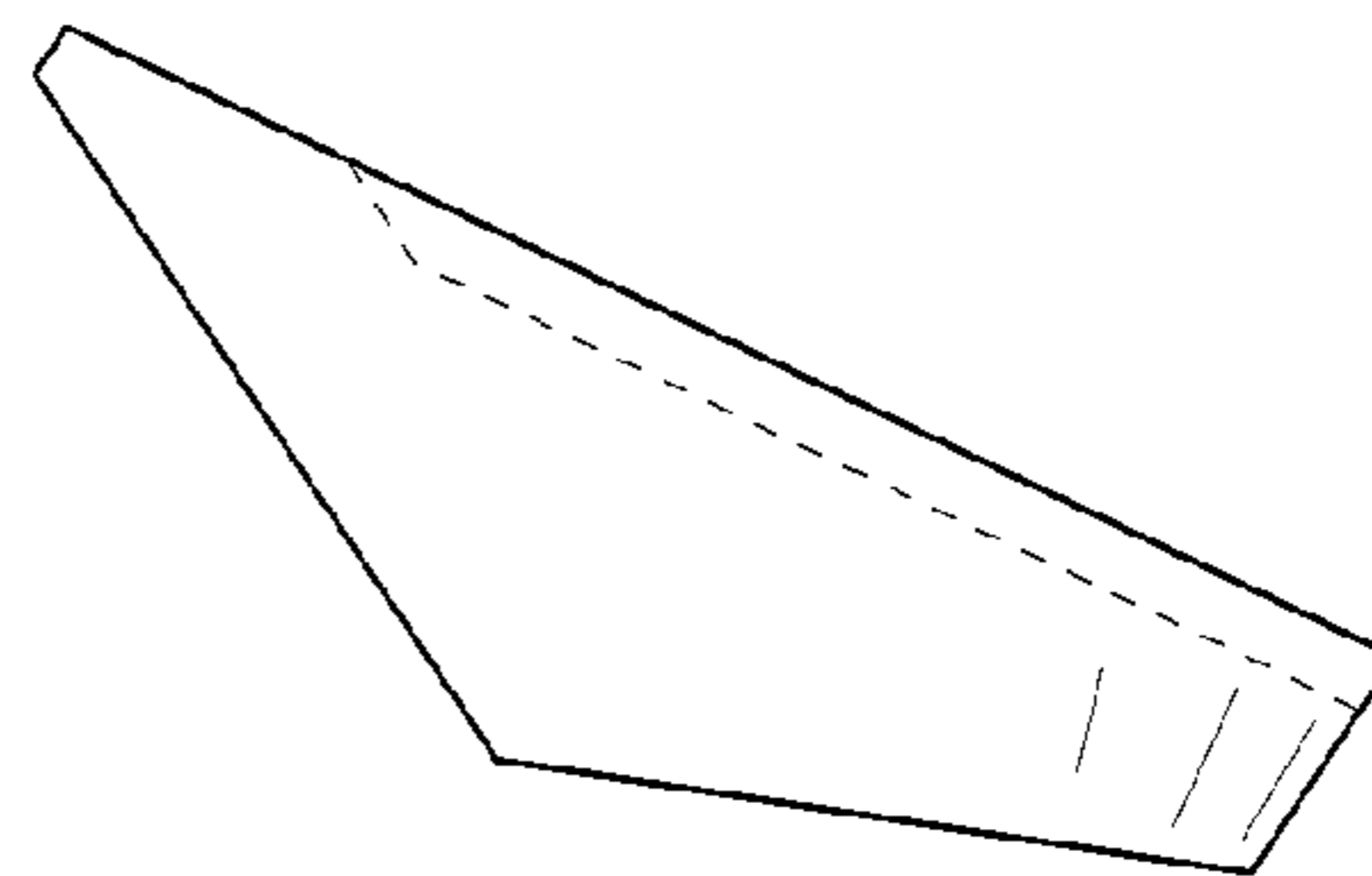


FIG.6

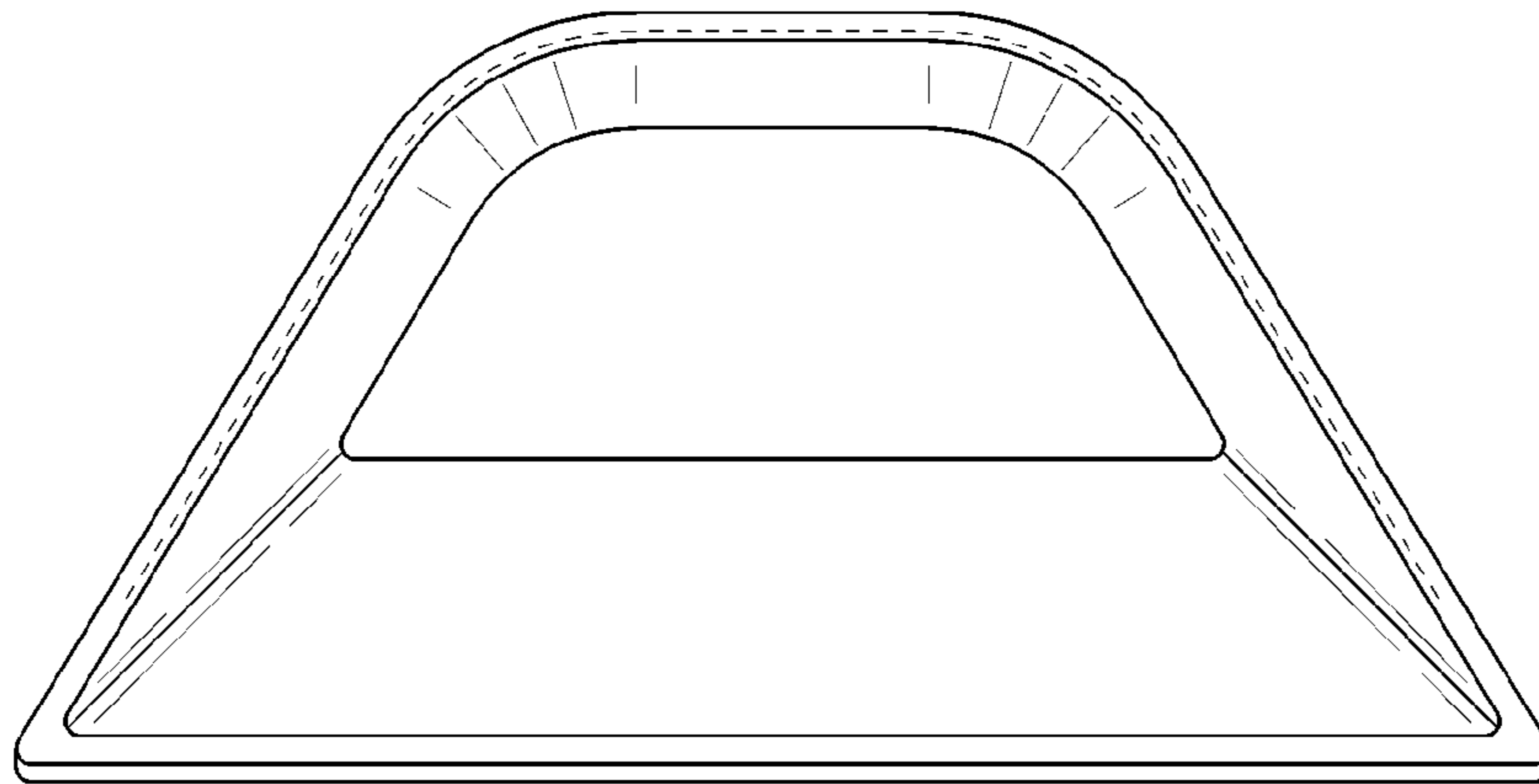


FIG.7

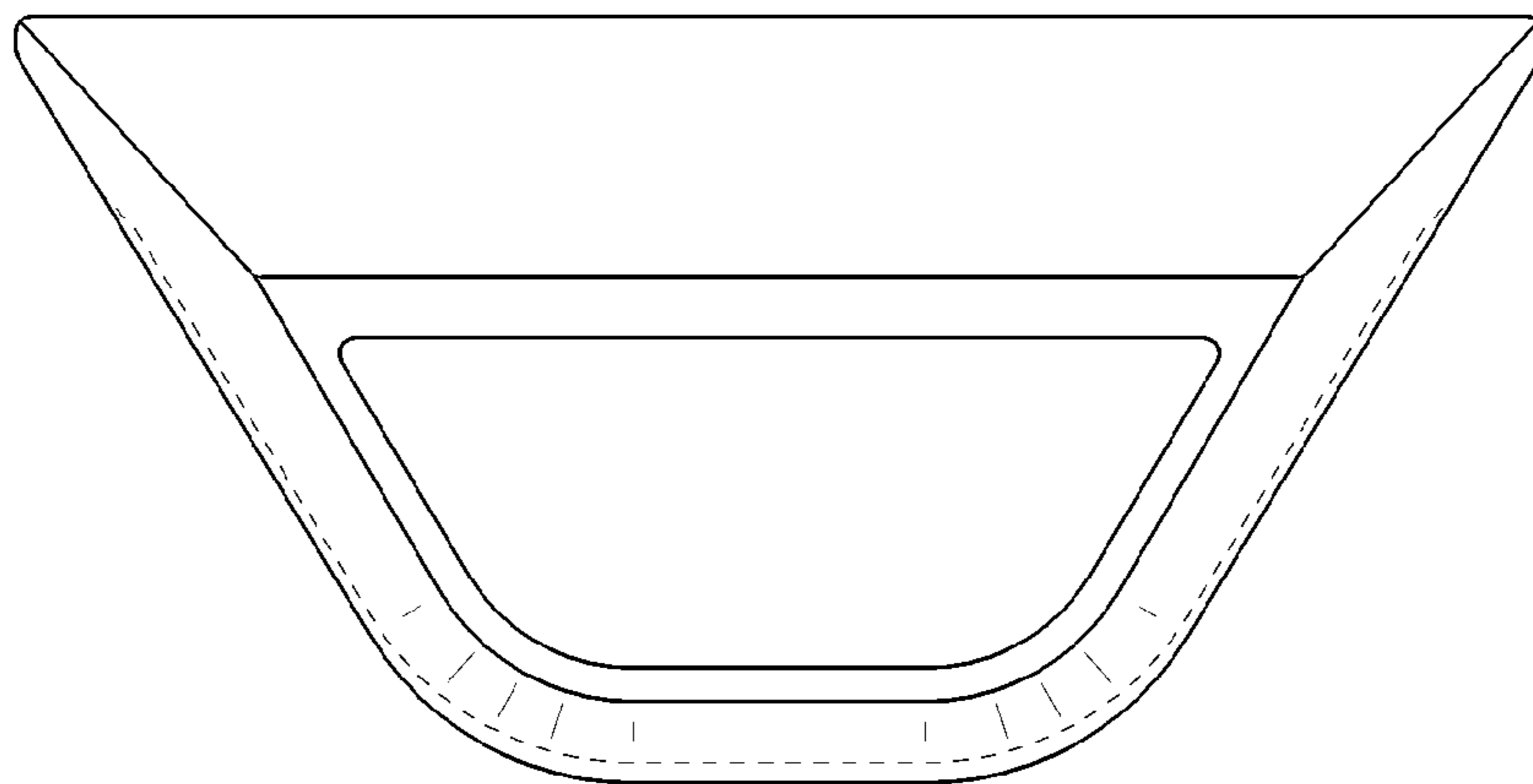


FIG.8

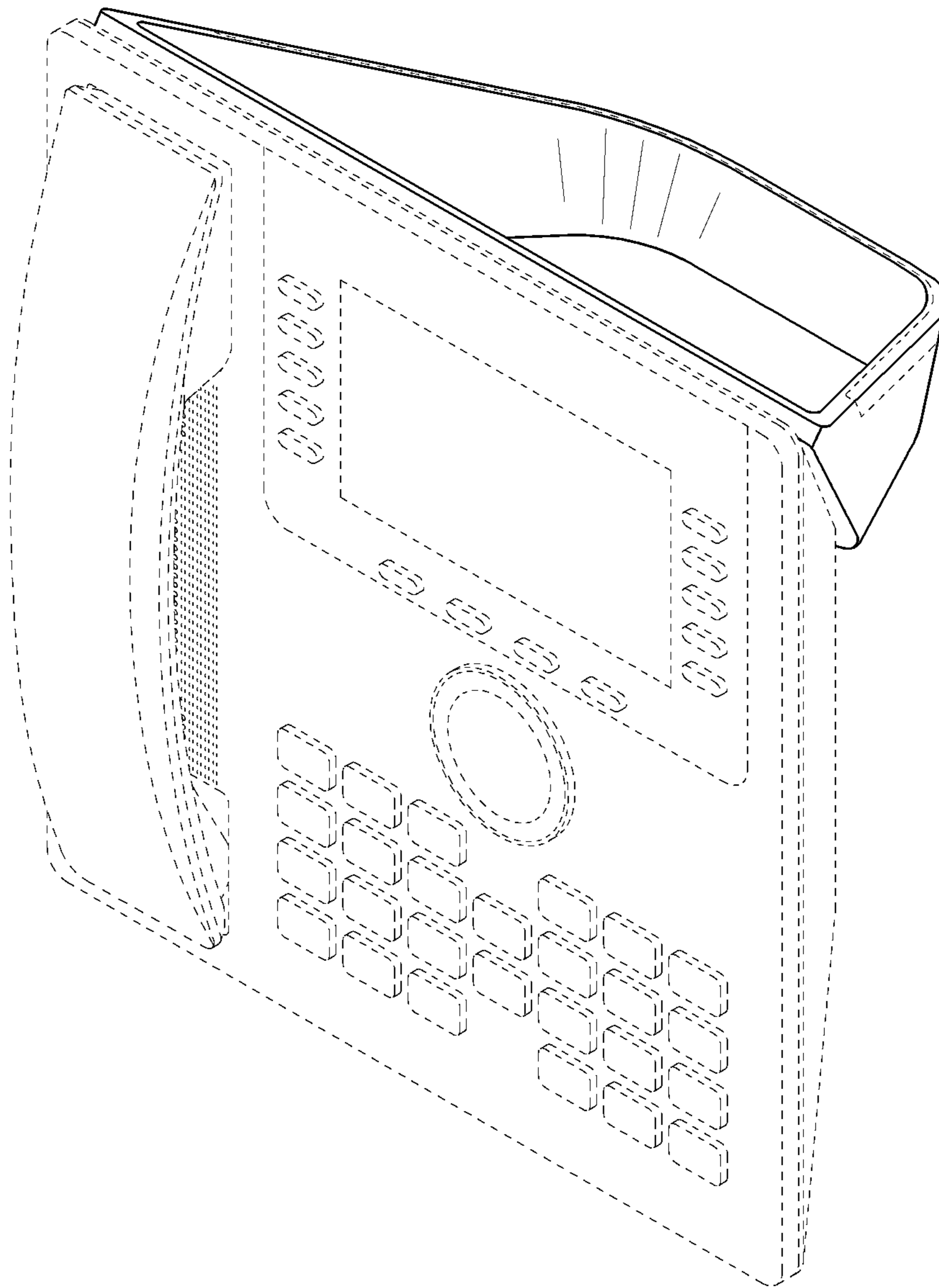


FIG.9

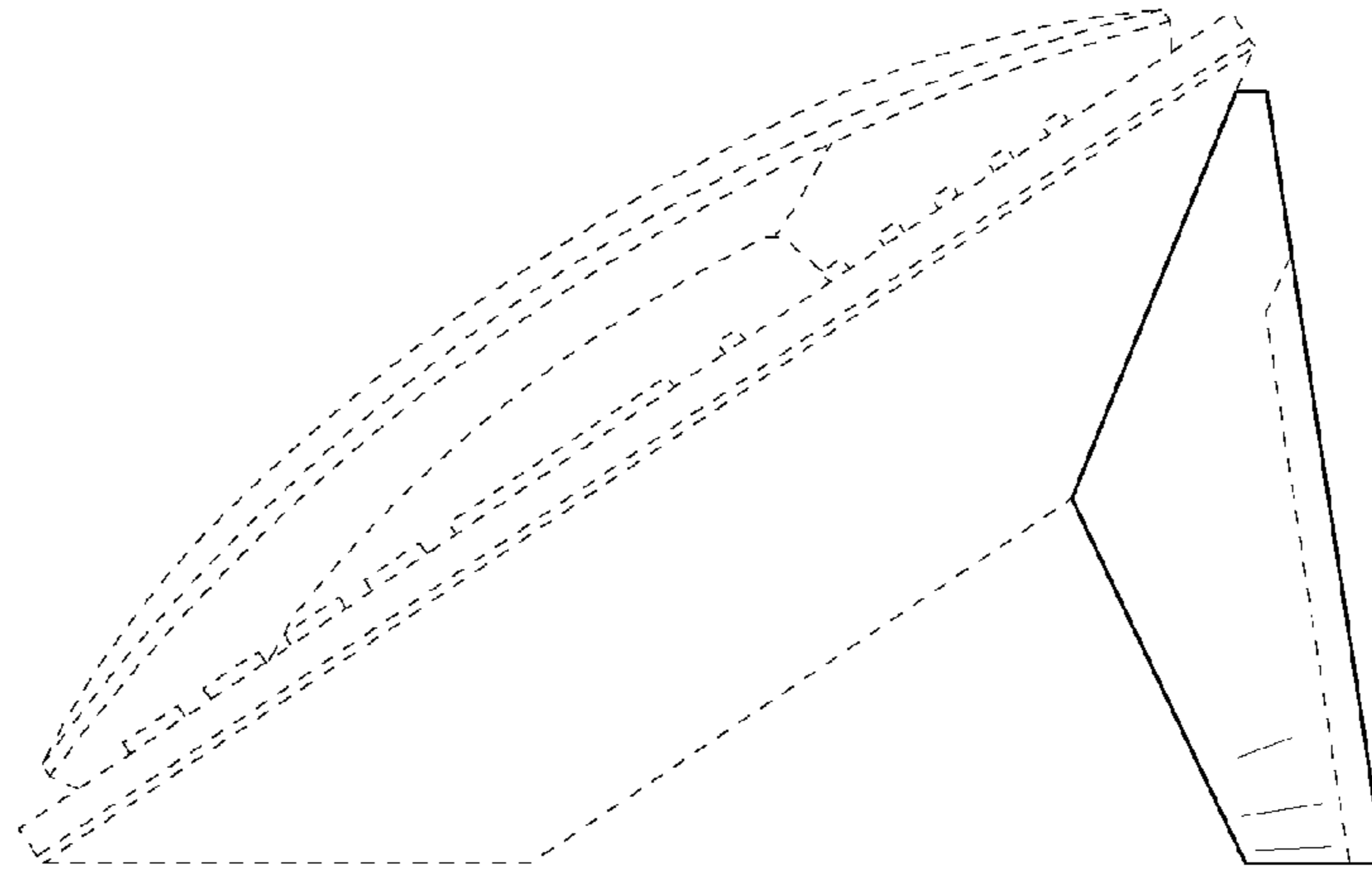


FIG.10

