



US00D729784S

(12) **United States Design Patent**
Ryu et al.

(10) **Patent No.:** **US D729,784 S**
(45) **Date of Patent:** **** May 19, 2015**

(54) **MOBILE PHONE**

- (71) Applicant: **LG Electronics Inc.**, Seoul (KR)
- (72) Inventors: **Hyunggon Ryu**, Gyeonggi-do (KR); **Youngho Kim**, Seoul (KR); **Jinwan Bae**, Seoul (KR)
- (73) Assignee: **LG Electronics Inc.**, Seoul (KR)
- (**) Term: **14 Years**
- (21) Appl. No.: **29/476,749**
- (22) Filed: **Dec. 17, 2013**
- (30) **Foreign Application Priority Data**

Jul. 19, 2013 (KR) 30-2013-0037509

- (51) **LOC (10) Cl.** **14-03**
- (52) **U.S. Cl.**

USPC **D14/248**

(58) **Field of Classification Search**

CPC H04M 1/02; H04M 1/0202; H04M 1/0202-1/035; H04M 1/0235; H04M 1/0237; H04M 1/0239; H04M 2250/22

USPC D14/138 G, 138 AC, 138 AD, 138 R, D14/203.1, 203.3, 203.5, 203.7, 218, 248, D14/257, 250, 341, 441, 443, 496; D21/517, 329, 331; D13/168; D10/65, D10/78; 455/575.1, 556.1, 556.2; 379/433.01, 433.04; 361/679.3, 679.56

See application file for complete search history.

(56) **References Cited**

U.S. PATENT DOCUMENTS

- D398,580 S * 9/1998 Richards D13/119
- D403,265 S * 12/1998 Nagele et al. D13/119
- D425,859 S * 5/2000 Oliver et al. D13/119

(Continued)

OTHER PUBLICATIONS

LG G3 Dual-LTE telephone, announced Oct. 2014, [online], [site visited Dec. 19, 2014]. Available from Internet, <URL: http://www.gsmarena.com/lg_g3_dual_lte-6764.php>.*

(Continued)

Primary Examiner — Jeffrey D Asch

Assistant Examiner — Sanjeev Paul

(74) *Attorney, Agent, or Firm* — Morgan, Lewis & Bockius LLP

(57) **CLAIM**

The ornamental design for a mobile phone, as shown and described.

DESCRIPTION

FIG. 1 is a rear perspective view of a mobile phone showing our new design;

FIG. 2 is a front view thereof;

FIG. 3 is a rear view thereof;

FIG. 4 is a left side view thereof;

FIG. 5 is a right side view thereof;

FIG. 6 is a top plan view thereof;

FIG. 7 is a bottom plan view thereof;

FIG. 8 is an exploded perspective view thereof;

FIG. 9 is a rear perspective view thereof showing the rear battery cover and battery omitted for ease of illustration.

FIG. 10 is a rear view thereof.

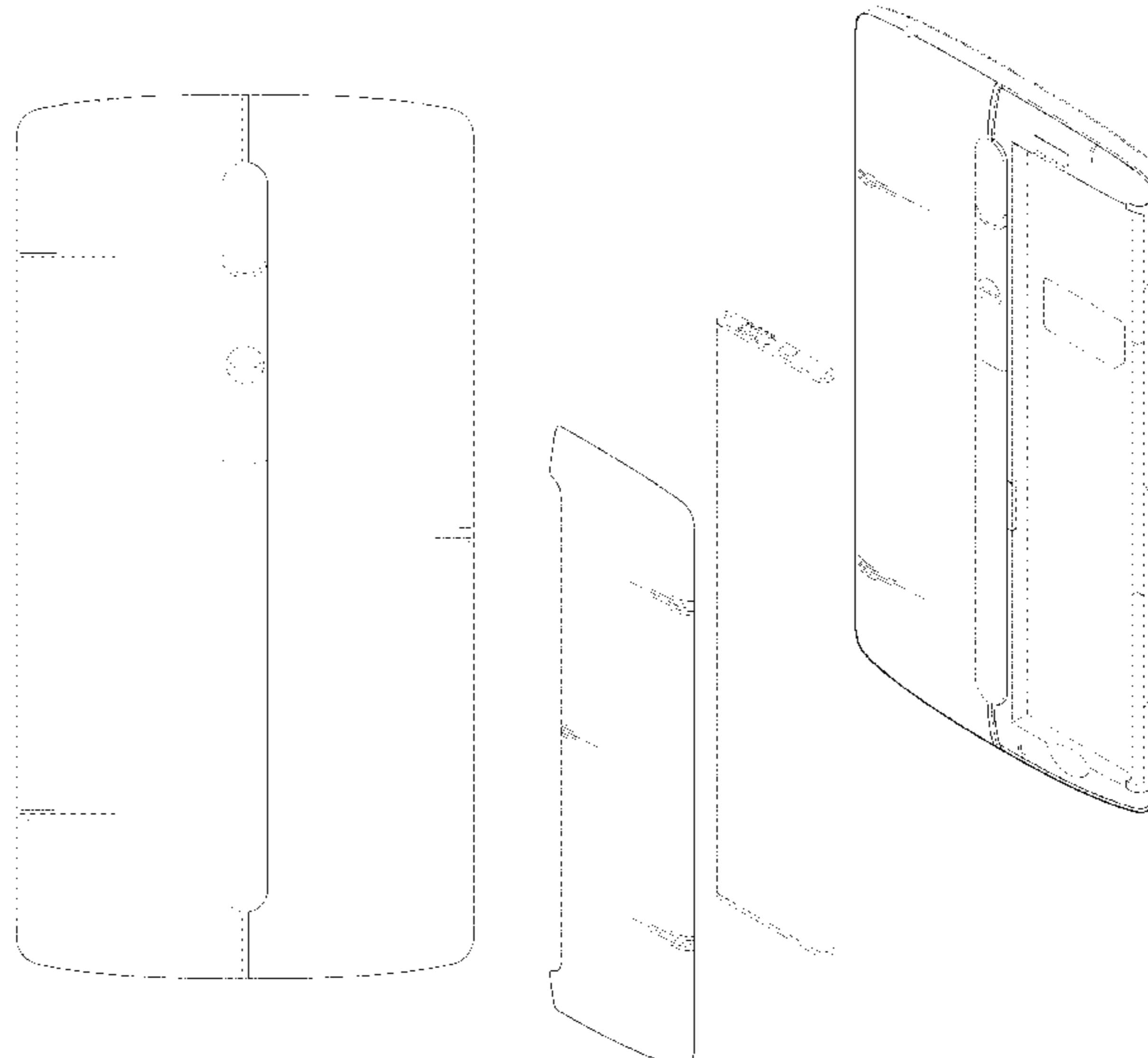
FIG. 11 is a left side view thereof.

FIG. 12 is a top plan view thereof; and,

FIG. 13 is a bottom plan view thereof.

The broken lines shown in the figures that are immediately adjacent to the shaded areas represent the bounds of the claim, while all other broken lines, shown in non-claimed regions, are directed to environment; the broken lines form no part of the claimed design.

1 Claim, 11 Drawing Sheets



(56)

References Cited

U.S. PATENT DOCUMENTS

D448,366 S * 9/2001 Youngers et al. D14/240
 D481,383 S * 10/2003 He et al. D14/248
 D485,531 S * 1/2004 Liao et al. D13/119
 D589,830 S * 4/2009 Friedli D10/108
 D598,908 S * 8/2009 Tompkin D14/248
 D618,649 S * 6/2010 Park et al. D14/138 G
 D640,578 S * 6/2011 Aihara et al. D10/65
 D645,441 S * 9/2011 Choe et al. D14/138 G
 D646,248 S * 10/2011 Lee D14/138 G
 D656,118 S * 3/2012 Kim et al. D14/138 G
 D656,477 S * 3/2012 Yi et al. D14/138 G
 8,271,052 B2 * 9/2012 Jiang et al. 455/572
 D696,220 S * 12/2013 Seo et al. D14/138 G
 D698,341 S * 1/2014 Lee D14/248
 D703,174 S * 4/2014 Suk D14/138 G
 D707,645 S * 6/2014 Kim et al. D14/138 G
 D709,895 S * 7/2014 Son D14/440
 D711,339 S * 8/2014 Yang D14/138 G
 D713,812 S * 9/2014 Hachiya D14/138 G
 D713,831 S * 9/2014 Kim et al. D14/248
 D715,246 S * 10/2014 Oh D14/138 G
 D719,124 S * 12/2014 Kim et al. D14/138 AD
 D719,941 S * 12/2014 Kim et al. D14/248
 2013/0288531 A1 * 10/2013 Son et al. 439/627

OTHER PUBLICATIONS

LG G3 Screen telephone, announced Oct. 2014, [online], [site visited Dec. 19, 2014]. Available from Internet, <URL: http://www.gsmarena.com/lg_g3_screen-6750.php>.*
 LG G3 telephone, announced May 2014, [online], [site visited Dec. 19, 2014]. Available from Internet, <URL: http://www.gsmarena.com/lg_g3-6294.php>.*
 LG G2 telephone, announced Aug. 2014, [online], [site visited Dec. 19, 2014]. Available from Internet, <URL: http://www.gsmarena.com/lg_g2-5543.php>.*
 LG Nitro HD telephone, announced Nov. 2011, [online], [site visited Dec. 19, 2014]. Available from Internet, <URL: http://www.gsmarena.com/lg_nitro_hd-4329.php>.*
 LG G Vista telephone, announced Aug. 2014, [online], [site visited Dec. 19, 2014]. Available from Internet, <URL: http://www.gsmarena.com/lg_g_vista-6569.php>.*
 Oppo R815T Clover telephone, announced Apr. 2013, [online], [site visited Dec. 19, 2014]. Available from Internet, <URL: http://www.gsmarena.com/oppo_r815t_clover-5898.php>.*
 LG Optimus 2X telephone, announced Dec. 2010, [online], [site visited Dec. 19, 2014]. Available from Internet, <URL: http://www.gsmarena.com/lg_optimus_2x-3598.php>.*

* cited by examiner

FIG. 1

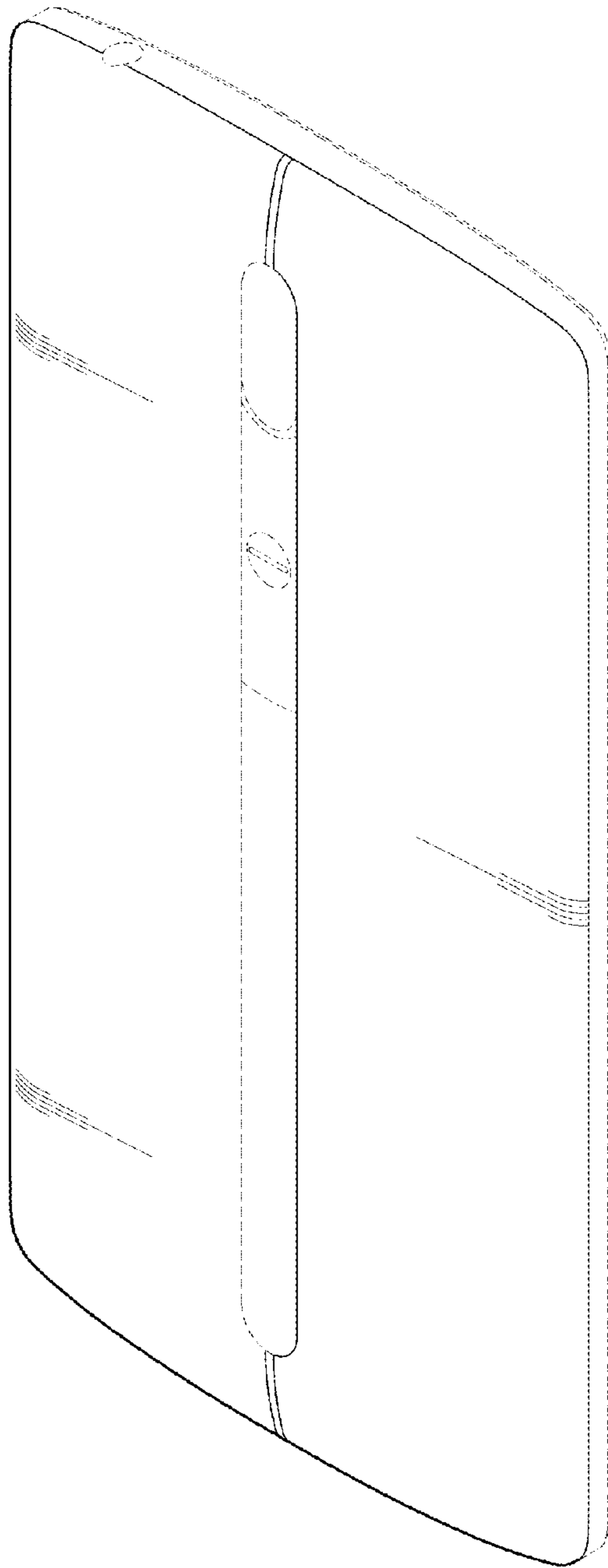


FIG. 2

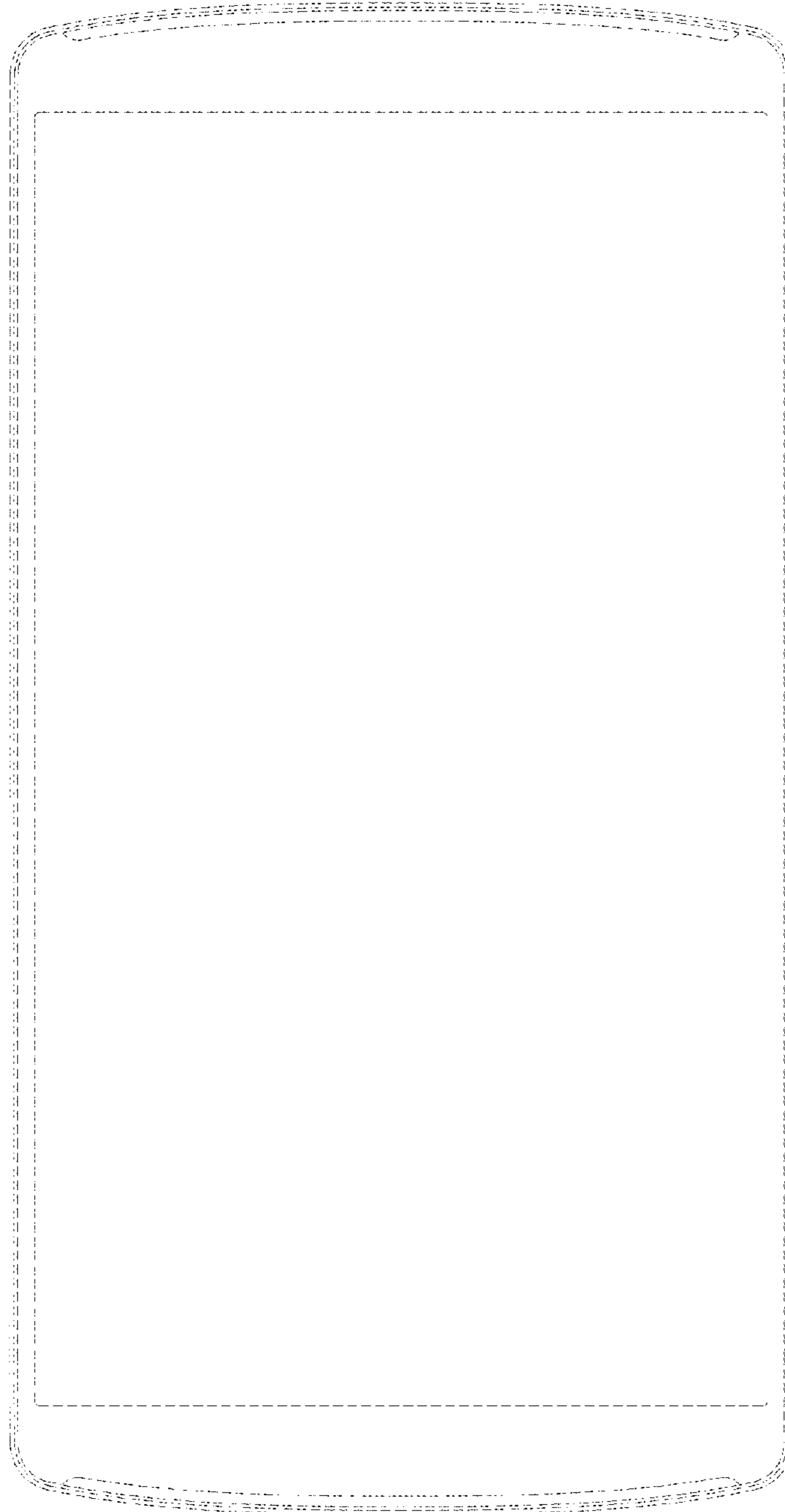


FIG. 3

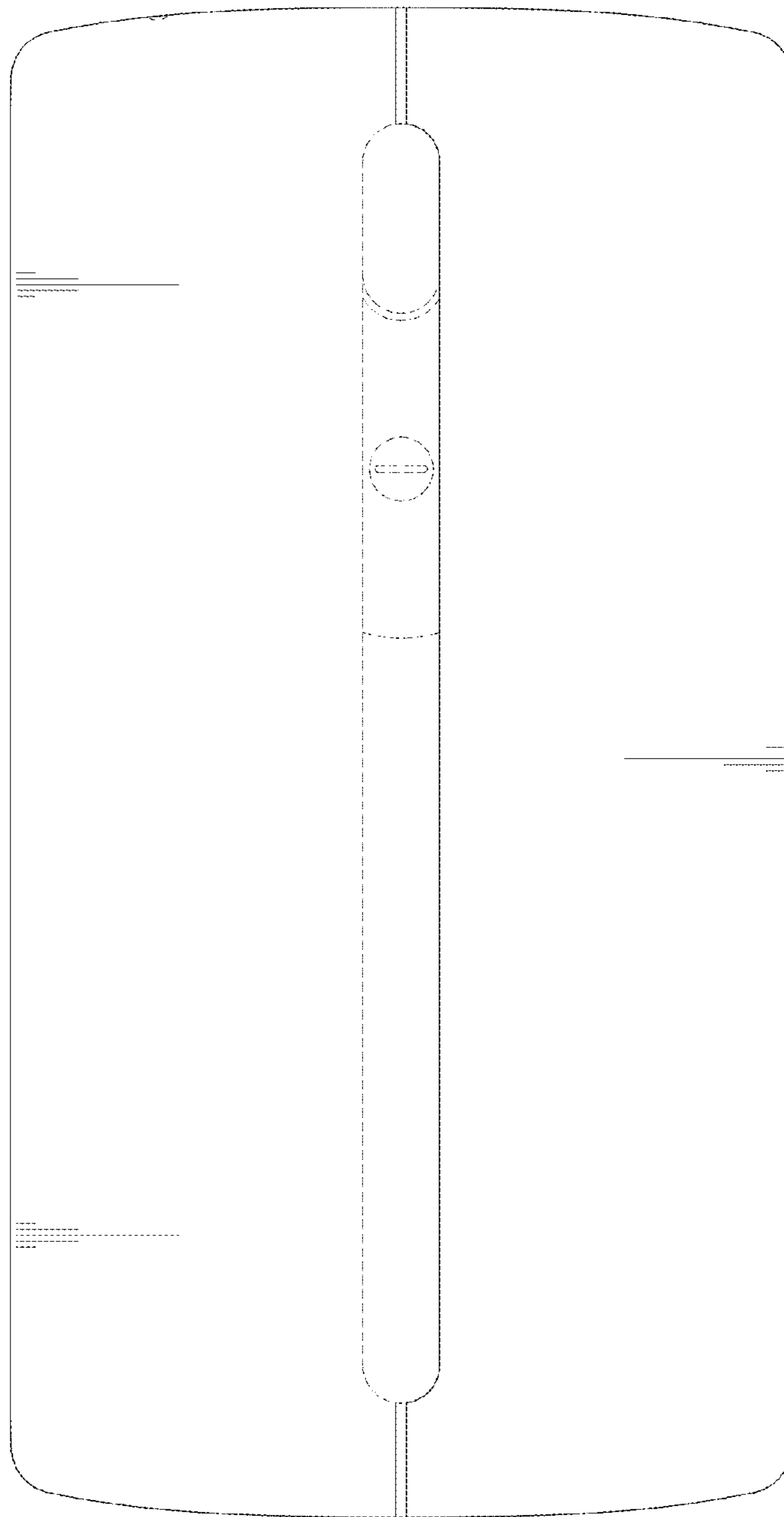


FIG. 4



FIG. 5



FIG. 6

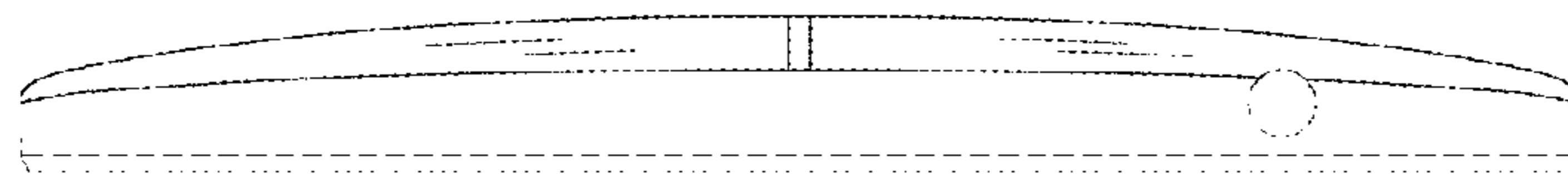


FIG. 7

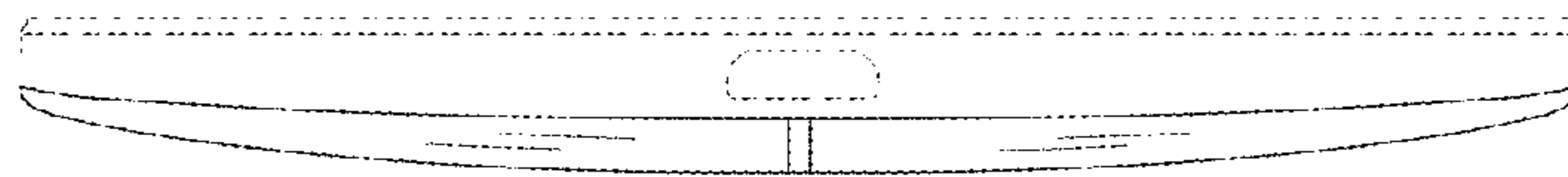


FIG. 8

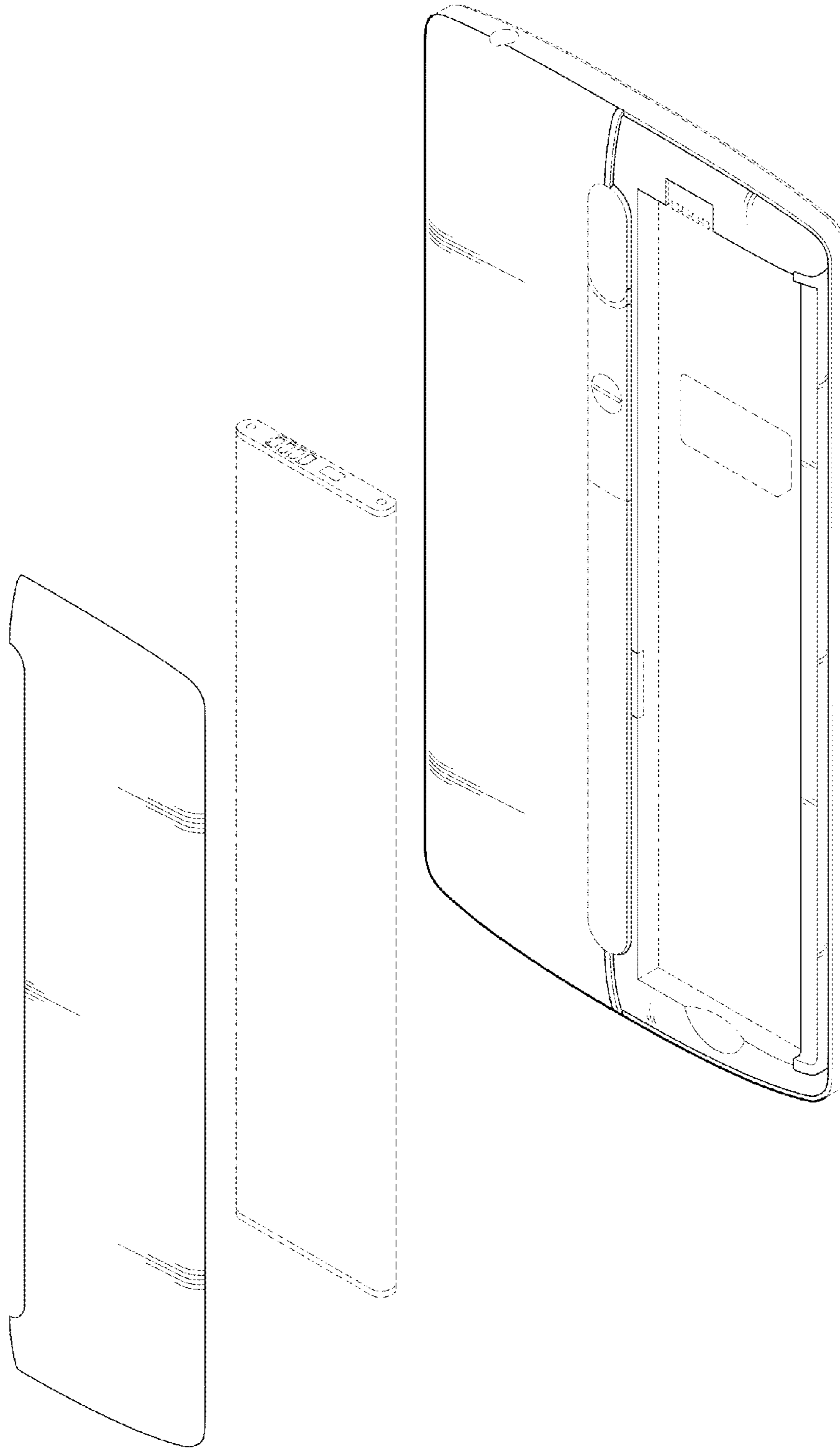


FIG. 9

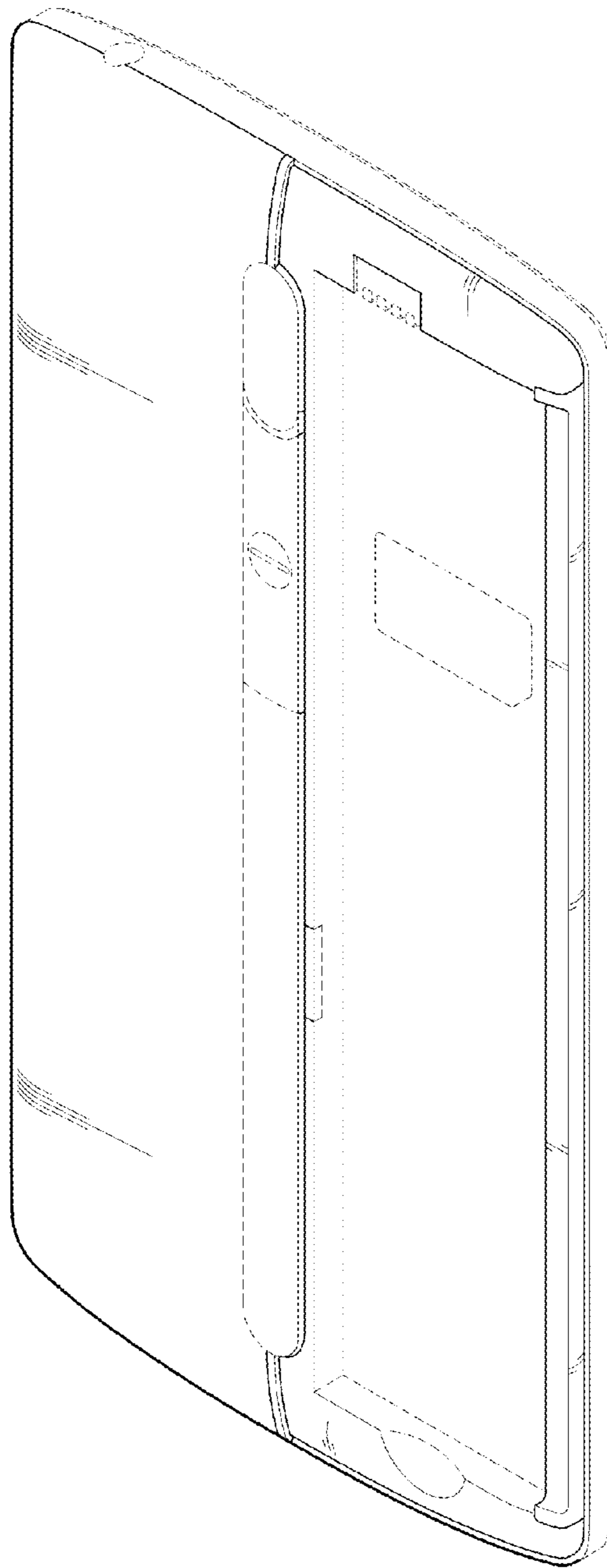


FIG. 10

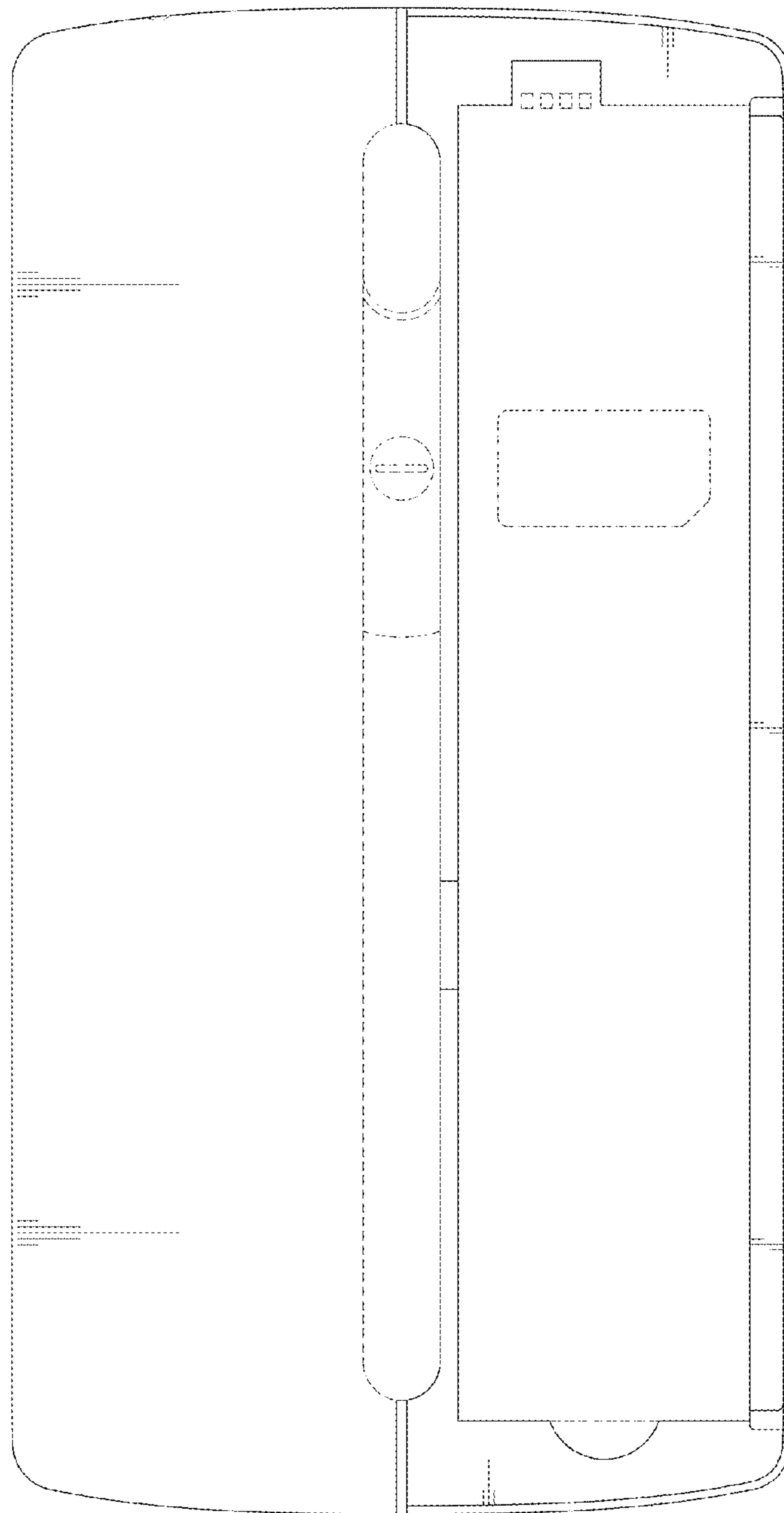


FIG. 11

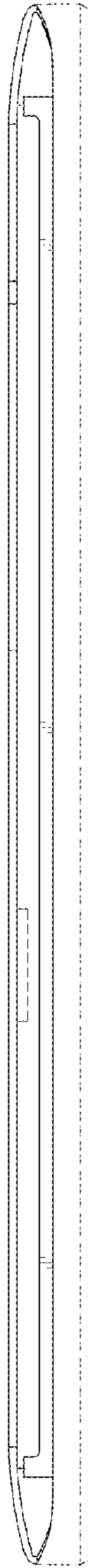


FIG. 12

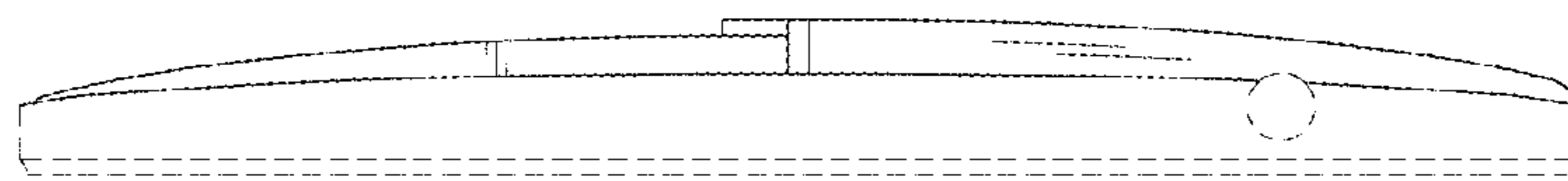


FIG. 13

