



US00D729783S

(12) **United States Design Patent**  
**Ryu et al.**

(10) **Patent No.:** **US D729,783 S**  
(45) **Date of Patent:** **\*\* May 19, 2015**

(54) **MOBILE PHONE**

(71) Applicant: **LG Electronics Inc.**, Seoul (KR)

(72) Inventors: **Hyunggon Ryu**, Gyeonggi-do (KR);  
**Youngho Kim**, Seoul (KR); **Jinwan Bae**, Seoul (KR)

(73) Assignee: **LG Electronics Inc.**, Seoul (KR)

(\*\*) Term: **14 Years**

(21) Appl. No.: **29/476,231**

(22) Filed: **Dec. 12, 2013**

(30) **Foreign Application Priority Data**

Jul. 19, 2013 (KR) ..... 30-2013-0037504

(51) **LOC (10) Cl.** ..... **14-03**

(52) **U.S. Cl.**  
USPC ..... **D14/248**

(58) **Field of Classification Search**  
CPC ..... H04M 1/02; H04M 1/0202; H04M 1/0202-1/035; H04M 1/0235; H04M 1/0237; H04M 1/0239; H04M 2250/22  
USPC ..... D14/138 G, 138 AC, 138 AD, 138 R, D14/203.1, 203.3, 203.5, 203.7, 218, 248, D14/257, 250, 341, 441, 443, 496; D21/517, 329, 331; D13/168; D10/65, D10/78; 455/575.1, 556.1, 556.2; 379/433.01, 433.04; 361/679.3, 679.56  
See application file for complete search history.

(56) **References Cited**

**U.S. PATENT DOCUMENTS**

- D548,218 S \* 8/2007 Hong et al. .... D14/138 AA
- D557,239 S \* 12/2007 Lee ..... D14/138 R
- D603,856 S \* 11/2009 Nuovo et al. .... D14/248
- D605,623 S \* 12/2009 Aarras ..... D14/138 AD
- D606,038 S \* 12/2009 Aarras ..... D14/138 G
- D611,923 S \* 3/2010 Hong et al. .... D14/138 AD
- D656,477 S \* 3/2012 Yi et al. .... D14/138 G

- D664,130 S \* 7/2012 Lee ..... D14/240
- D664,518 S \* 7/2012 Ryu ..... D14/138 G
- D669,445 S \* 10/2012 Yeon et al. .... D14/138 AD
- D677,643 S \* 3/2013 Park ..... D14/138 G
- D679,269 S \* 4/2013 Fahlgren et al. .... D14/248
- D694,730 S \* 12/2013 Lee ..... D14/138 G
- D698,341 S \* 1/2014 Lee ..... D14/248
- D702,681 S \* 4/2014 Sugiyama et al. .... D14/341

(Continued)

**OTHER PUBLICATIONS**

LG G3 telephone, announced May 2014, [online], [site visited Dec. 19, 2014]. Available from Internet, <URL: [http://www.gsmarena.com/lg\\_g3-6294.php](http://www.gsmarena.com/lg_g3-6294.php)>.\*

(Continued)

*Primary Examiner* — Jeffrey D Asch

*Assistant Examiner* — Sanjeev Paul

(74) *Attorney, Agent, or Firm* — Morgan, Lewis & Bockius LLP

(57) **CLAIM**

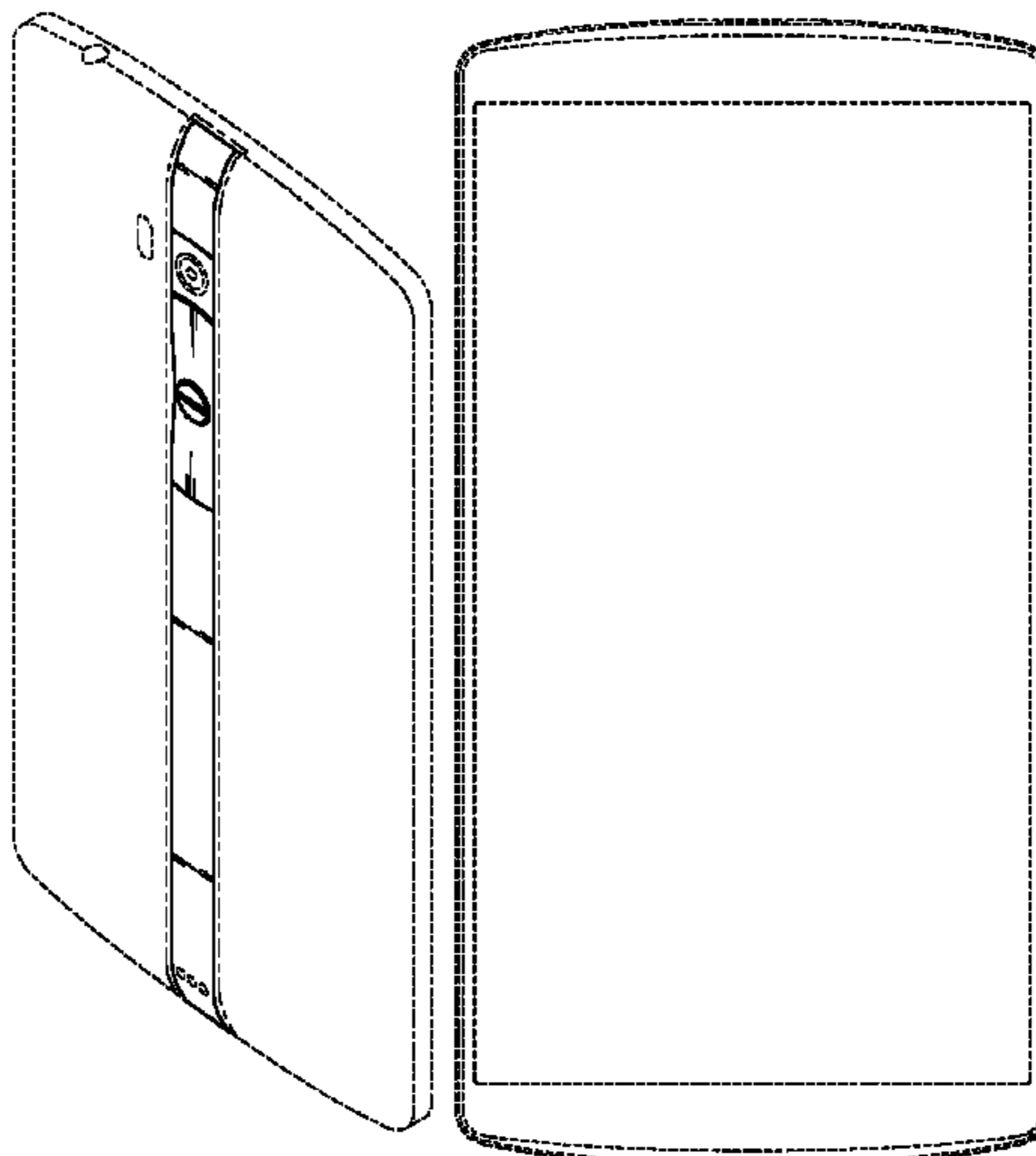
The ornamental design for a mobile phone, as shown and described.

**DESCRIPTION**

FIG. 1 is a rear perspective view of a mobile phone showing our new design;  
FIG. 2 is a front view thereof;  
FIG. 3 is a rear view thereof;  
FIG. 4 is a left side view thereof;  
FIG. 5 is a right side view thereof;  
FIG. 6 is a top plan view thereof; and,  
FIG. 7 is a bottom plan view thereof.

The broken lines shown in the figures that are within the claimed surfaces, are immediately adjacent to the shaded areas, and define unshaded regions, represent the boundaries of the claimed design. All other broken lines are directed to environment. The broken lines form no part of the claimed design.

**1 Claim, 6 Drawing Sheets**



(56)

References Cited

U.S. PATENT DOCUMENTS

D703,178 S \* 4/2014 Park et al. .... D14/138 G  
D707,644 S \* 6/2014 Asano et al. .... D14/138 G  
D712,368 S \* 9/2014 Hibi ..... D14/138 G  
D713,373 S \* 9/2014 Hibi ..... D14/138 G  
D714,273 S \* 9/2014 Kim et al. .... D14/248  
D715,246 S \* 10/2014 Oh ..... D14/138 G  
D715,282 S \* 10/2014 Chang et al. .... D14/248  
D719,124 S \* 12/2014 Kim et al. .... D14/138 AD  
D719,150 S \* 12/2014 Daniel ..... D14/341  
2014/0370937 A1\* 12/2014 Park et al. .... 455/566

OTHER PUBLICATIONS

LG G2 telephone, announced Aug. 2014, [online], [site visited Dec. 19, 2014]. Available from Internet, <URL: [http://www.gsmarena.com/lg\\_g2-5543.php](http://www.gsmarena.com/lg_g2-5543.php)>.\*  
LG Nitro HD telephone, announced Nov. 2011, [online], [site visited Dec. 19, 2014]. Available from Internet, <URL: [http://www.gsmarena.com/lg\\_nitro\\_hd-4329.php](http://www.gsmarena.com/lg_nitro_hd-4329.php)>.\*  
LG Optimus 2X telephone, announced Dec. 2010, [online], [site visited Dec. 19, 2014]. Available from Internet, <URL: [http://www.gsmarena.com/lg\\_optimus\\_2x-3598.php](http://www.gsmarena.com/lg_optimus_2x-3598.php)>.\*

\* cited by examiner

FIG. 1

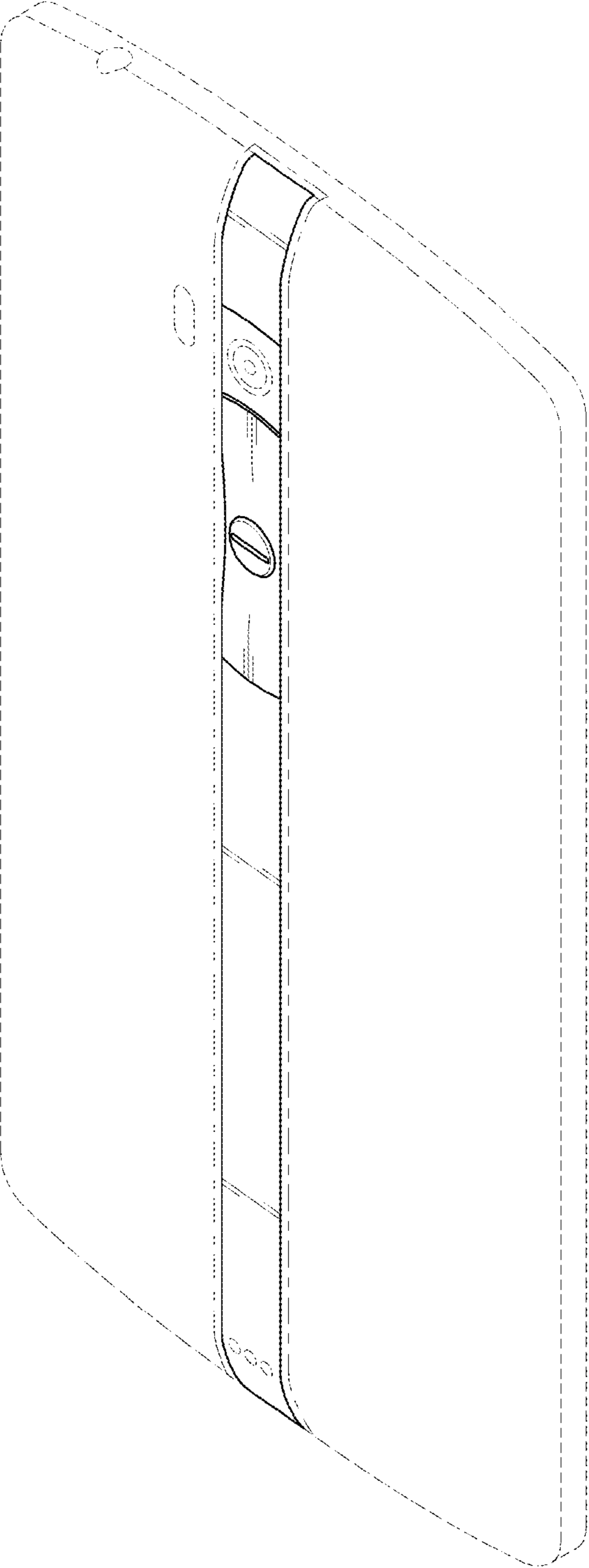


FIG. 2



FIG. 3

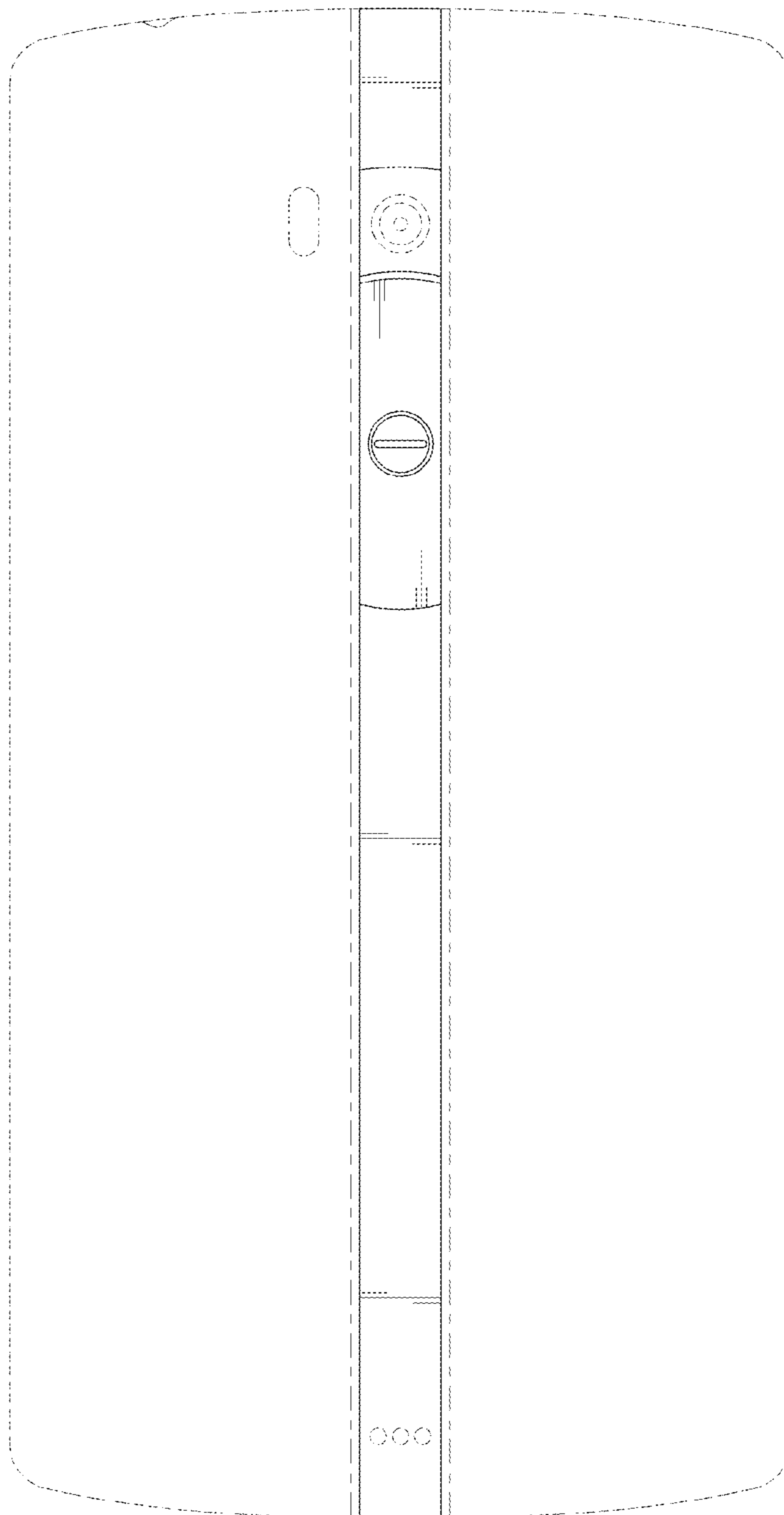


FIG. 4

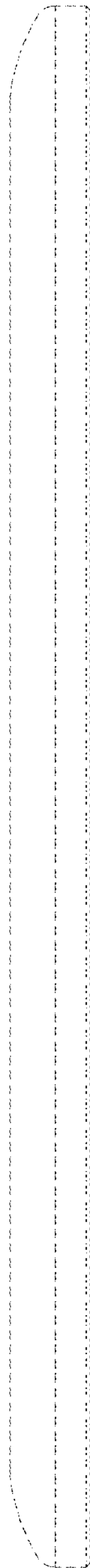


FIG. 5

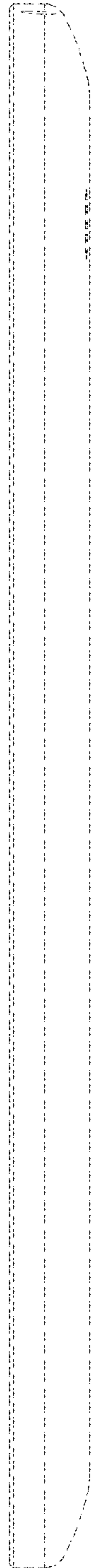


FIG. 6

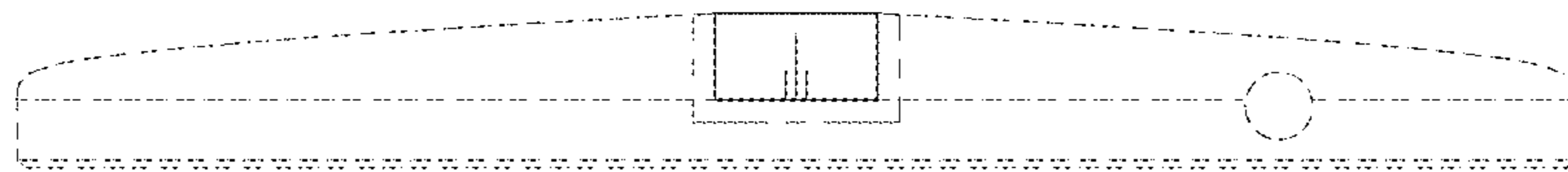


FIG. 7

