



US00D729779S

(12) **United States Design Patent**
Cavero et al.

(10) **Patent No.:** **US D729,779 S**

(45) **Date of Patent:** **** May 19, 2015**

(54) **WIRELESS GOOSENECK MICROPHONE**

(56) **References Cited**

(71) Applicants: **Dio C Cavero**, North Merrick, NY (US);
Mathieu Zastawny, Jersey City, NJ (US); **Adam S Sanchez**, Nutley, NJ (US); **Timothy D Root**, Nashua, NJ (US); **Marc Cremer**, Sharon, MA (US); **Jean-Pierre Carney**, Sudbury, MA (US); **Holger Stoltze**, Billerica, MA (US); **Stephen Lyman**, Hudson, MA (US); **Jonathan Schau**, Sudbury, MA (US); **Klaus Hartung**, Hopkinton, MA (US)

U.S. PATENT DOCUMENTS

4,349,708	A *	9/1982	Asher	200/6 A
4,501,939	A *	2/1985	Hyltin et al.	200/6 A
D327,480	S *	6/1992	Soren	D14/229
D448,362	S *	9/2001	Weikel et al.	D14/227
D651,192	S *	12/2011	Timmer	D14/159
D715,778	S *	10/2014	Yilin	D14/227
D716,772	S *	11/2014	Cavero et al.	D14/225
D718,748	S *	12/2014	Pan	D14/227
D719,547	S *	12/2014	Boeckel	D14/214
2003/0134666	A1 *	7/2003	Fletcher et al.	455/568

* cited by examiner

(72) Inventors: **Dio C Cavero**, North Merrick, NY (US);
Mathieu Zastawny, Jersey City, NJ (US); **Adam S Sanchez**, Nutley, NJ (US); **Timothy D Root**, Nashua, NJ (US); **Marc Cremer**, Sharon, MA (US); **Jean-Pierre Carney**, Sudbury, MA (US); **Holger Stoltze**, Billerica, MA (US); **Stephen Lyman**, Hudson, MA (US); **Jonathan Schau**, Sudbury, MA (US); **Klaus Hartung**, Hopkinton, MA (US)

Primary Examiner — Susan Bennett Hattan

Assistant Examiner — Leanne Was

(74) *Attorney, Agent, or Firm* — Robert Schuler

(57) **CLAIM**

The ornamental design for a wireless gooseneck microphone, as shown and described.

DESCRIPTION

(73) Assignee: **Revo Labs, Inc**, Sidbury, MA (US)

(**) Term: **14 Years**

(21) Appl. No.: **29/480,848**

(22) Filed: **Jan. 30, 2014**

(51) **LOC (10) Cl.** **14-01**

(52) **U.S. Cl.**
USPC **D14/227**

(58) **Field of Classification Search**
USPC D14/217, 225, 227, 229; 379/419,
379/420.01, 420.02, 420.03, 420.04,
379/428.01, 433.03; 381/91, 122, 355, 361,
381/363, 368; 455/569.1

See application file for complete search history.

FIG. 1 is a perspective view showing the top, front and left sides of a wireless gooseneck microphone.

FIG. 2 is a front side elevation view of the wireless gooseneck microphone in FIG. 1.

FIG. 3 is a back side elevation view of the wireless gooseneck microphone in FIG. 1.

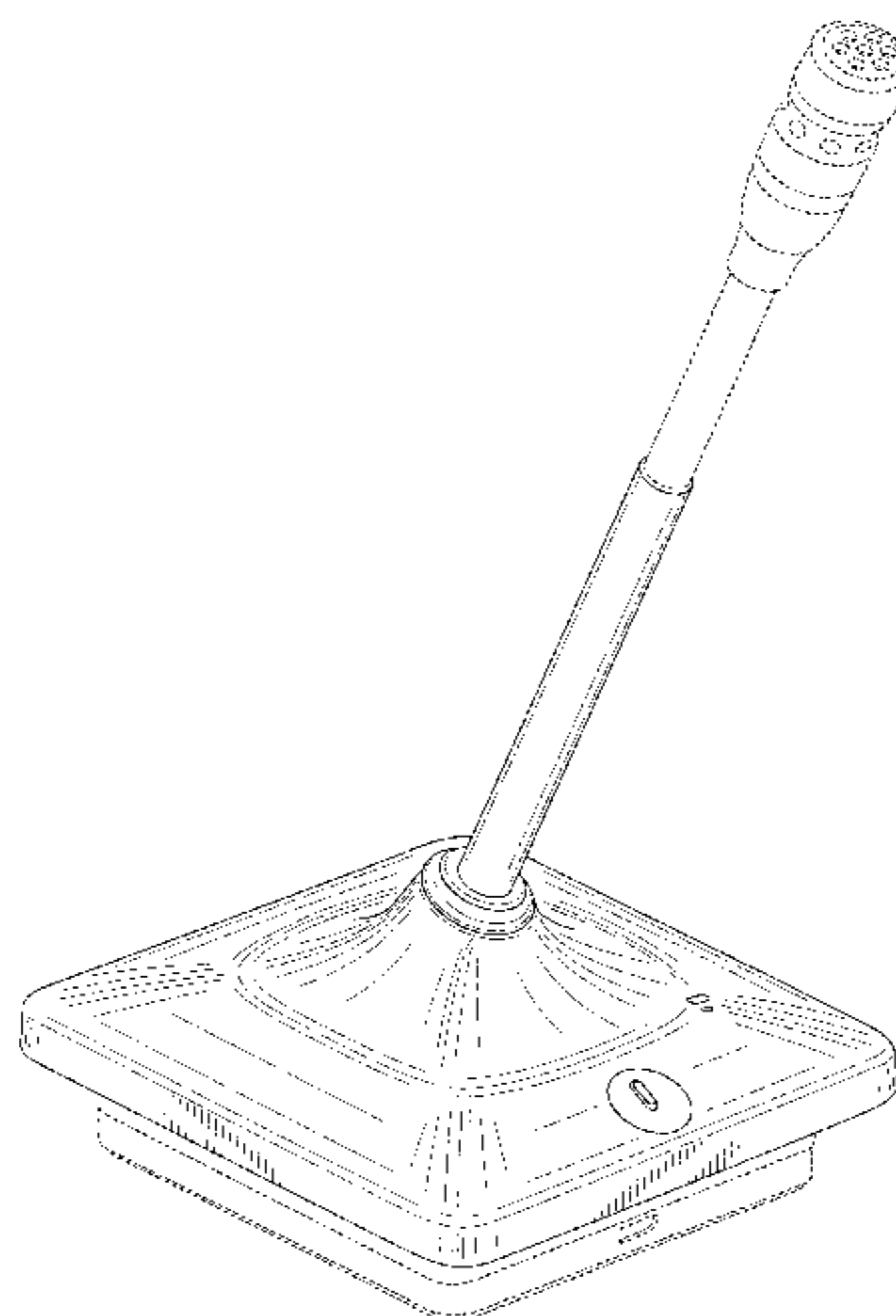
FIG. 4 is a right side elevation view of the wireless gooseneck microphone in FIG. 1.

FIG. 5 is a left side elevation view of the wireless gooseneck microphone in FIG. 1; and,

FIG. 6 is a top plan view of the wireless gooseneck microphone in FIG. 1.

The broken lines depict portions of the wireless gooseneck microphone that form no part of the claimed design.

1 Claim, 6 Drawing Sheets



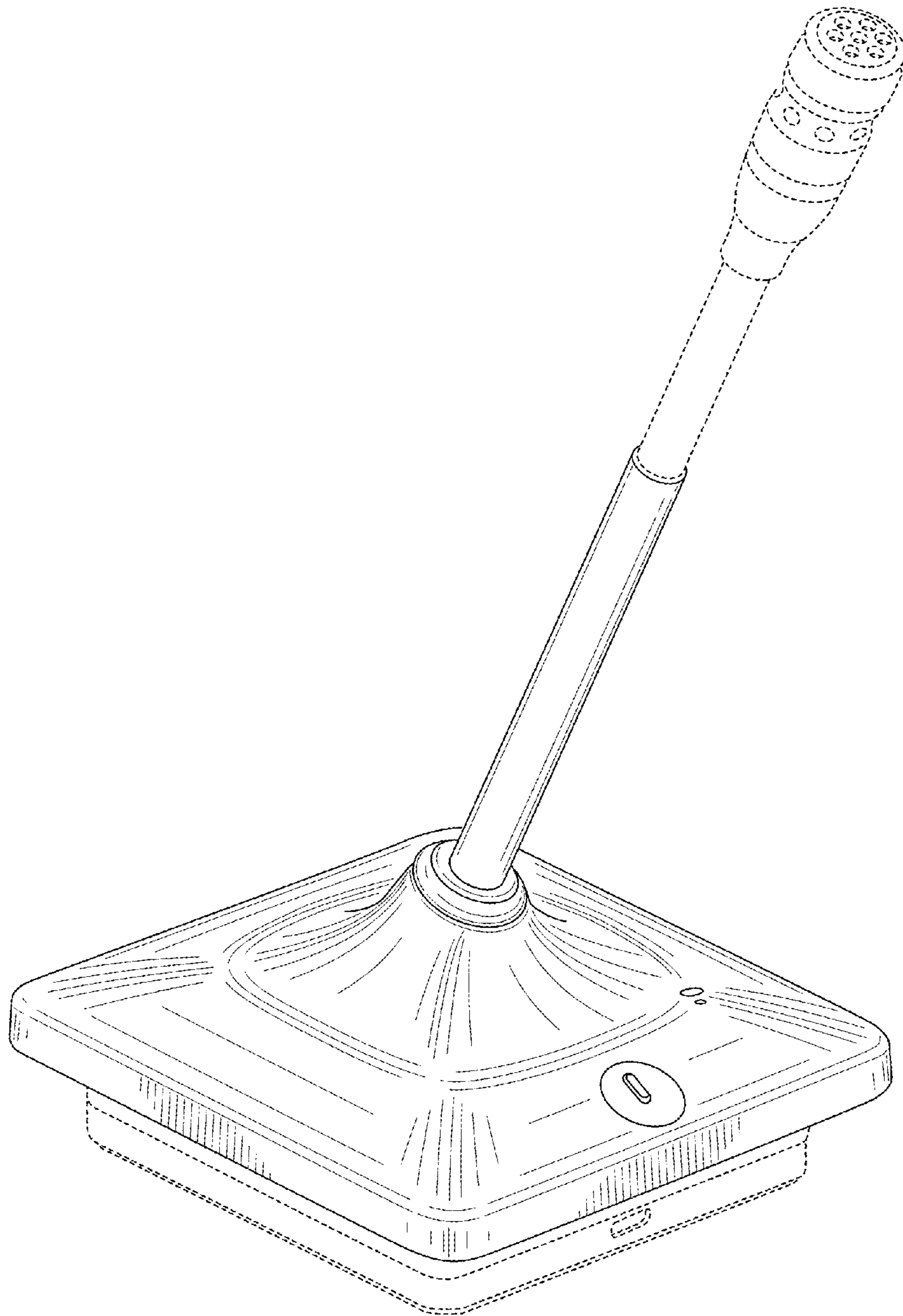


FIG. 1

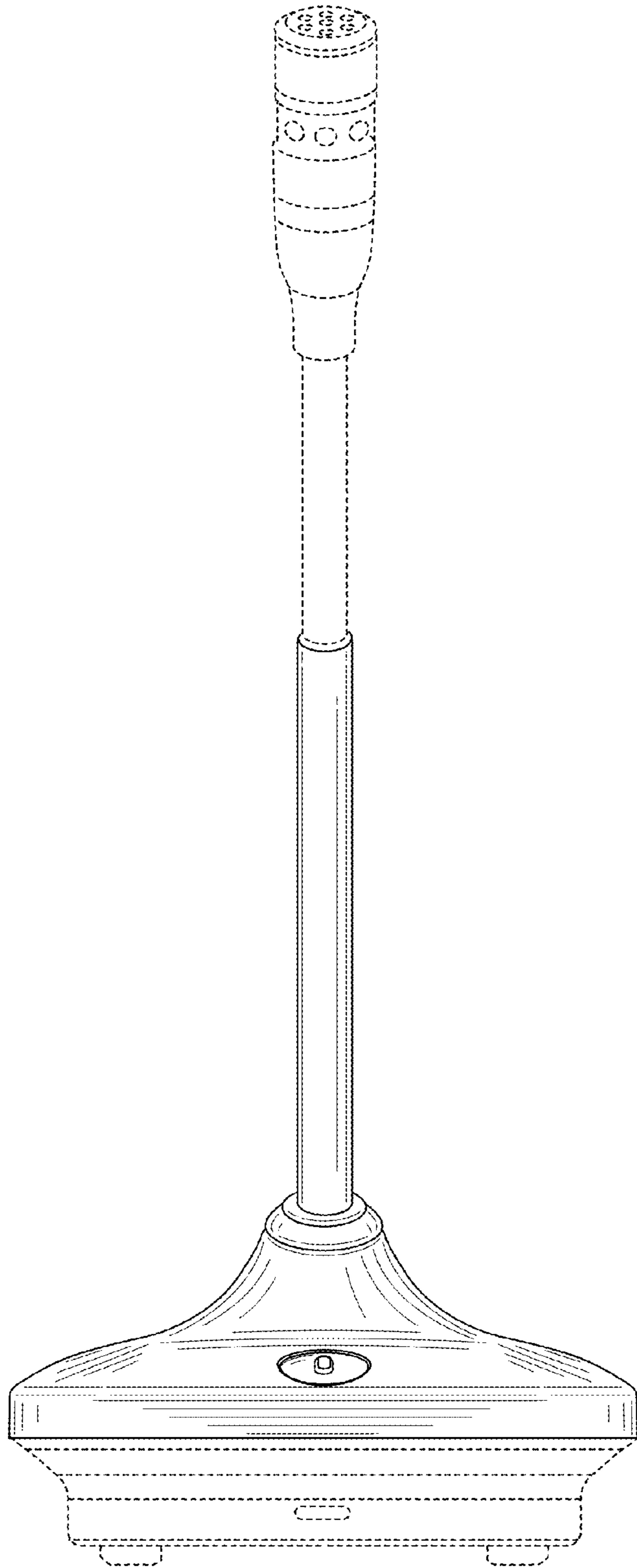


FIG. 2

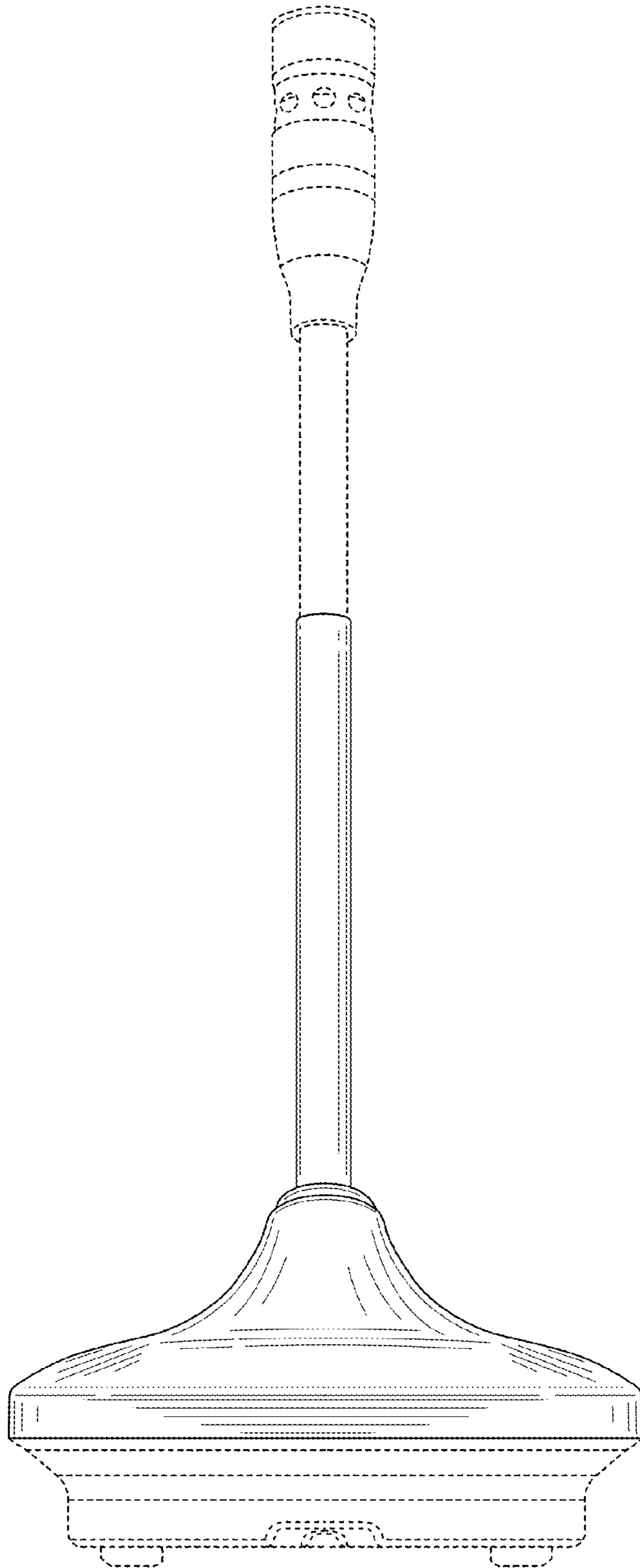


FIG. 3

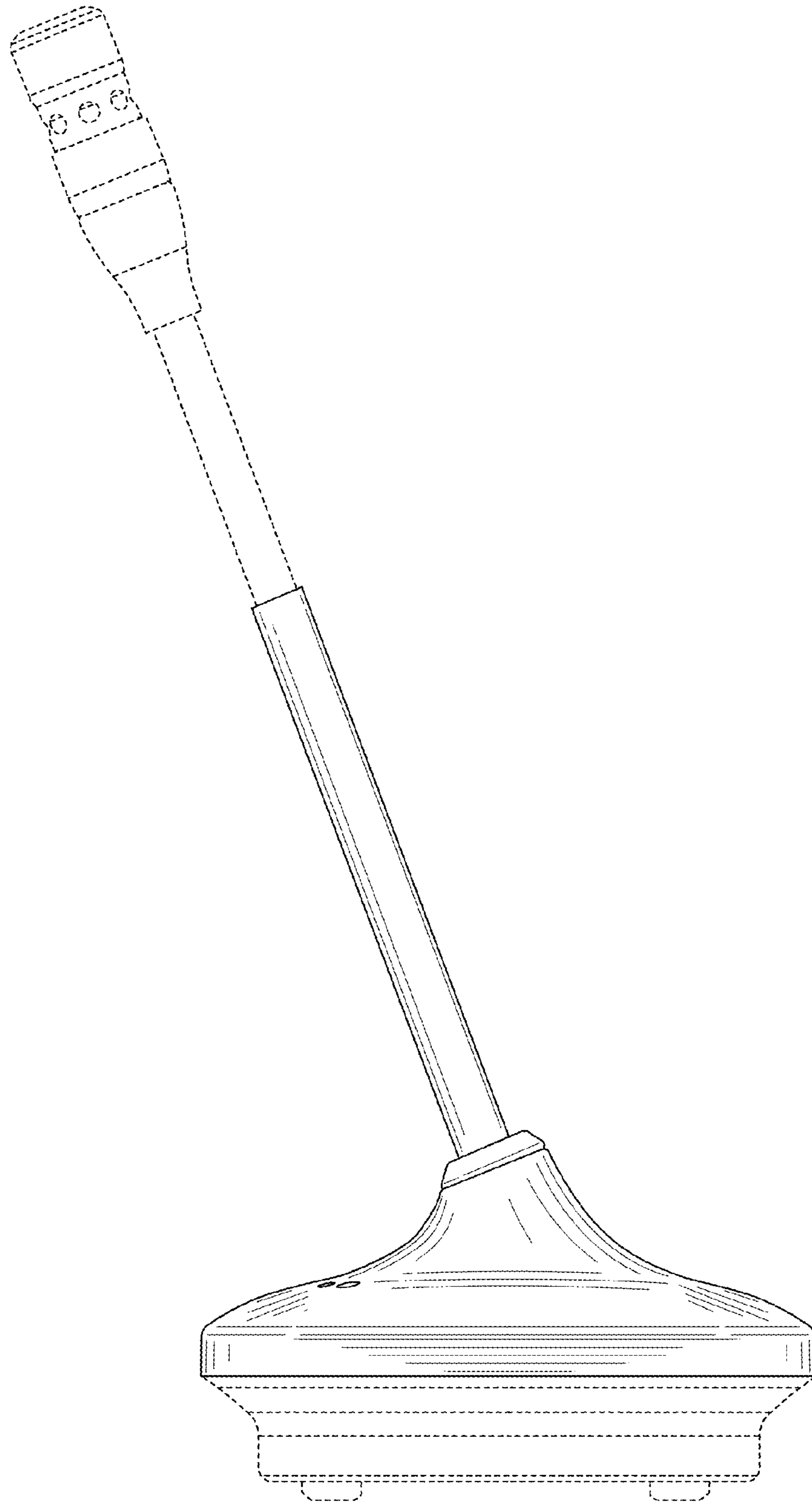


FIG. 4

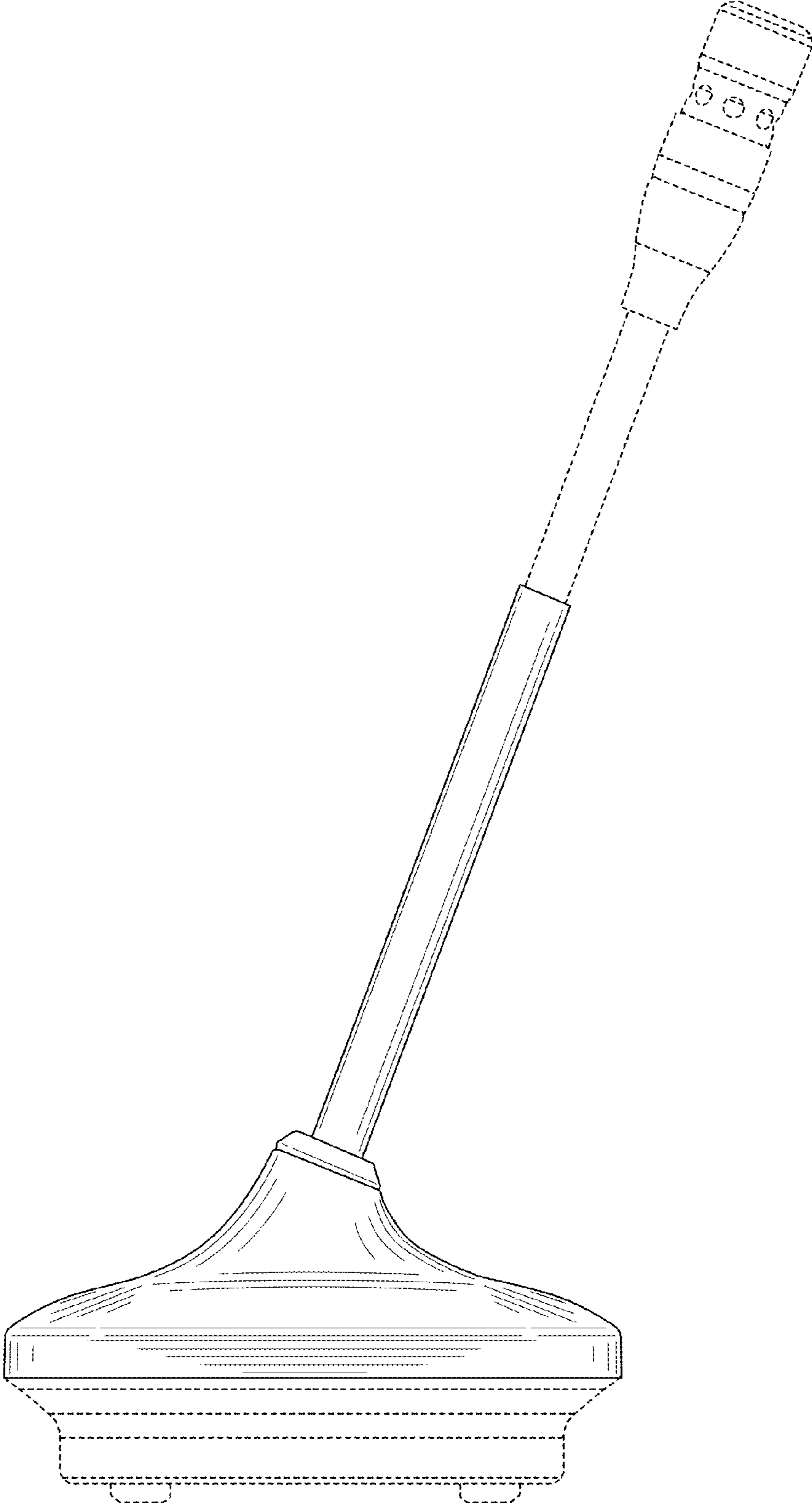


FIG. 5

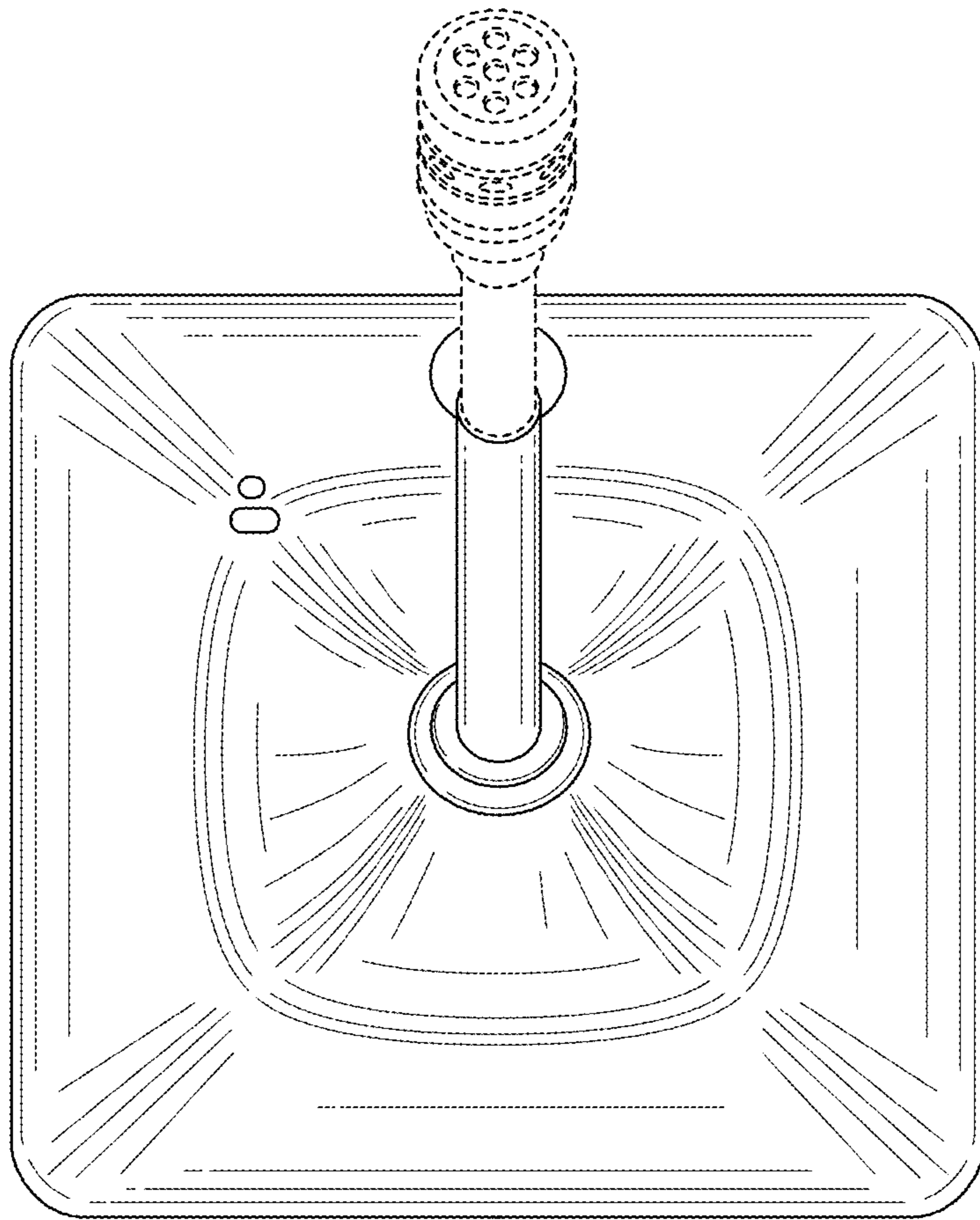


FIG. 6