



US00D729778S

(12) **United States Design Patent**
Langis et al.

(10) **Patent No.:** **US D729,778 S**
(45) **Date of Patent:** **** May 19, 2015**

(54) **MICROPHONE**

(71) Applicants: **Vivian Langis**, West Lake Village, CA (US); **Carlos Santana**, West Lake Village, CA (US)

(72) Inventors: **Vivian Langis**, West Lake Village, CA (US); **Carlos Santana**, West Lake Village, CA (US)

(73) Assignee: **Baltic Latvian Universal Electronics LLC**, West Lake Village, CA (US)

(**) Term: **14 Years**

(21) Appl. No.: **29/465,272**

(22) Filed: **Aug. 26, 2013**

(51) **LOC (10) Cl.** **14-01**

(52) **U.S. Cl.**
USPC **D14/227**

(58) **Field of Classification Search**
USPC D14/204–207, 210, 212, 214–221, D14/223–229, 240, 251, 416, 496, 508; 181/158, 57, 81, 242, 355, 356, 357, 181/358, 359, 360, 361, 369; 381/357, 358, 381/361; 362/394, 86

See application file for complete search history.

(56) **References Cited**

U.S. PATENT DOCUMENTS

802,644	A *	10/1905	Kaisling	379/454
1,649,157	A *	11/1927	Erickson et al.	379/431
D85,644	S *	12/1931	Graff	D19/99
D91,470	S *	2/1934	Schoedler	D19/84
2,443,329	A *	6/1948	Sears	379/455
2,540,873	A *	2/1951	Florman	181/242
2,560,354	A *	7/1951	Kettler	381/357
2,623,957	A *	12/1952	Cragg et al.	181/242
3,005,905	A *	10/1961	Libson	362/86
D209,710	S *	12/1967	Bruce	D14/133

D210,538	S *	3/1968	Lahti	D14/213
3,488,456	A *	1/1970	Maki	381/92
D220,146	S *	3/1971	Loewy	D6/455
D222,072	S *	9/1971	Levitt	D14/211
D224,159	S *	7/1972	Griffin	D14/133
4,361,737	A *	11/1982	Peterson	381/363
D286,858	S *	11/1986	Giorgio	D9/519
4,703,872	A *	11/1987	Cornette et al.	222/158
4,953,223	A *	8/1990	Householder	381/387
D319,781	S *	9/1991	Halm et al.	D32/29.1
D430,142	S *	8/2000	Kuo et al.	D14/216
D440,557	S *	4/2001	Su	D14/215
D519,112	S *	4/2006	Yang	D14/228
D612,245	S *	3/2010	Canamasas Puigbo	D9/519
D628,171	S *	11/2010	Hakopian et al.	D14/126
D628,223	S *	11/2010	Kao et al.	D16/202
D631,204	S *	1/2011	Dubitsky et al.	D28/82
D645,846	S *	9/2011	Mordechai	D14/216
D676,423	S *	2/2013	Joseph	D14/216
D699,674	S *	2/2014	Man	D13/108

* cited by examiner

Primary Examiner — Susan Bennett Hattan

Assistant Examiner — Marie Fast Horse

(74) *Attorney, Agent, or Firm* — Donn K. Harms

(57) **CLAIM**

The ornamental design for a microphone, as shown and described.

DESCRIPTION

FIG. 1 is a perspective view of the microphone according to the design;

FIG. 2 is a front view of the microphone of FIG. 1;

FIG. 3 is a first side view of microphone of FIG. 1.

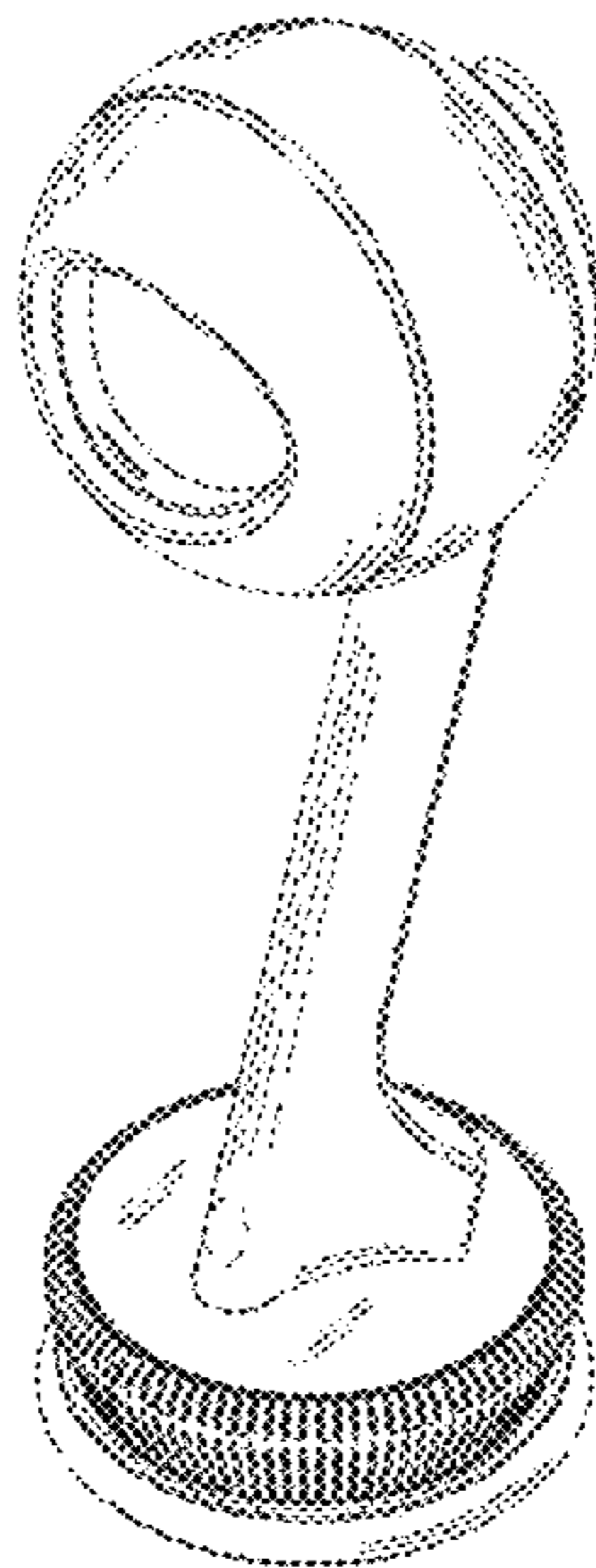
FIG. 4 is a second side view of the microphone of FIG. 1, opposite the view of FIG. 4;

FIG. 5 is a rear view of the microphone of FIG. 1; and,

FIG. 6 is a top view of the microphone of FIG. 1.

The broken lines in the drawings depict portions of the microphone that form no part of the claimed design.

1 Claim, 3 Drawing Sheets



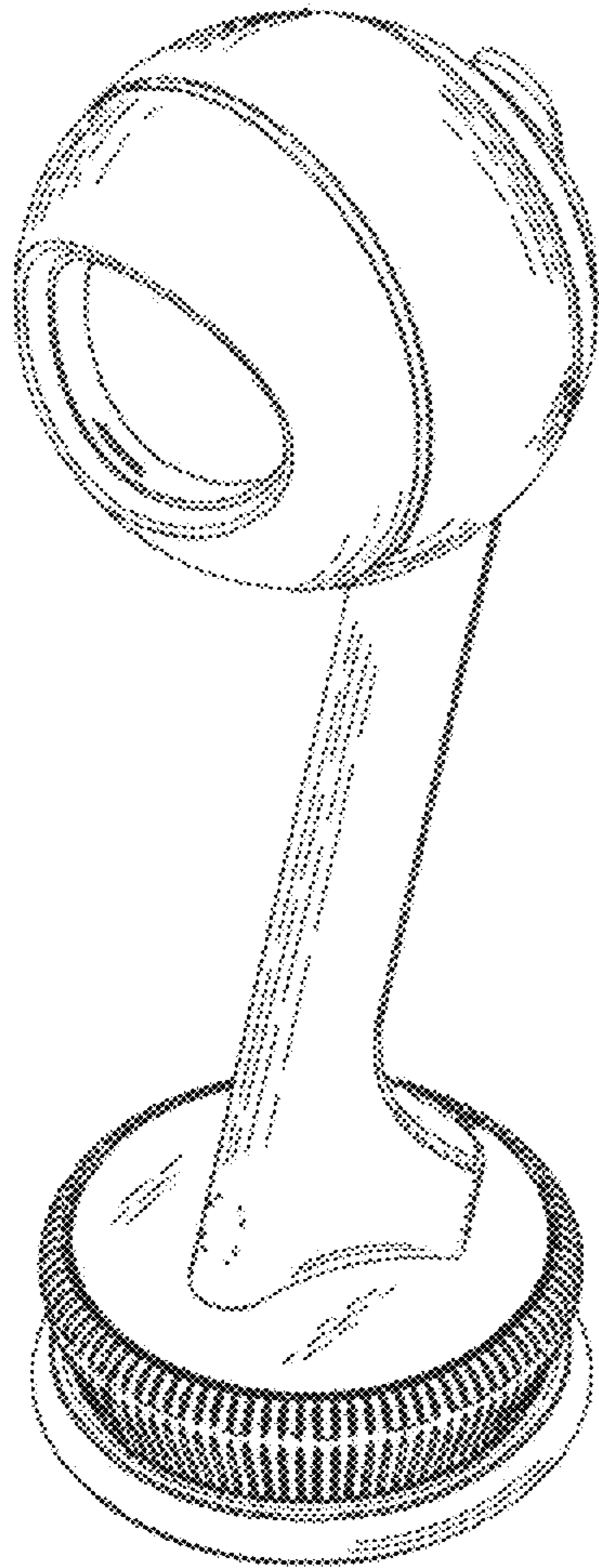


Fig. 1

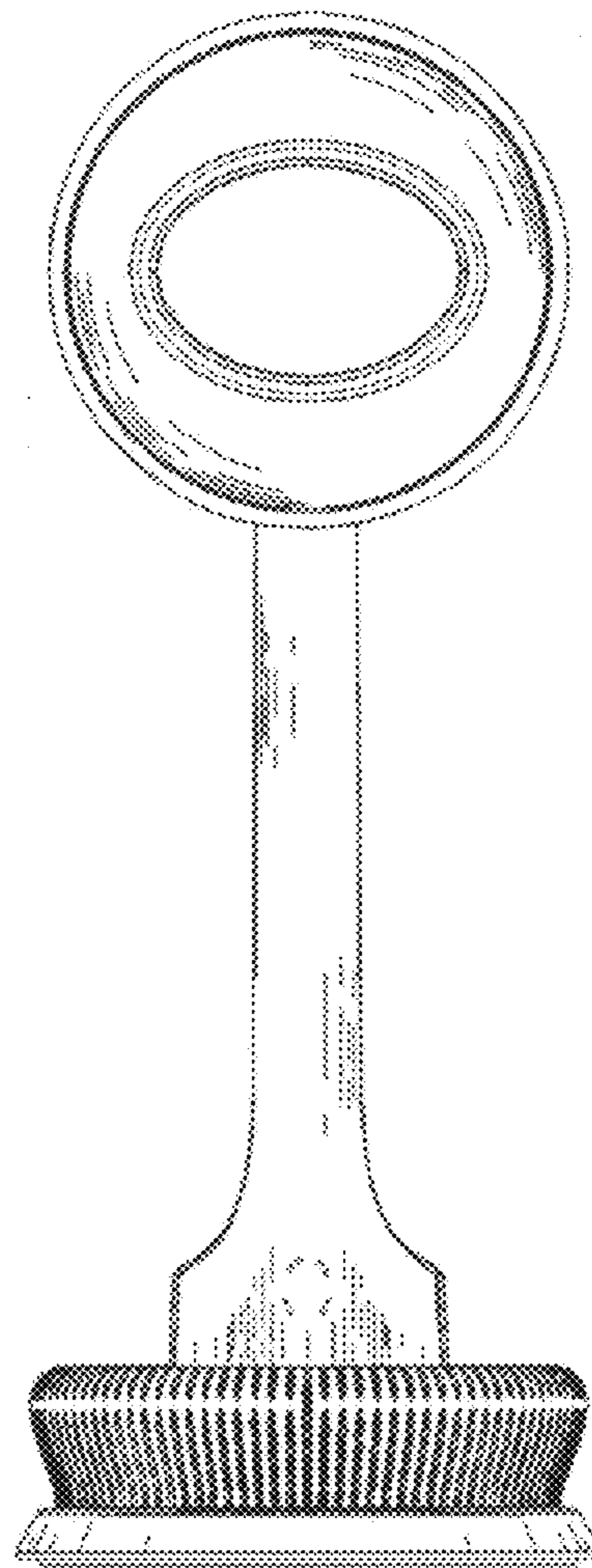


Fig. 2

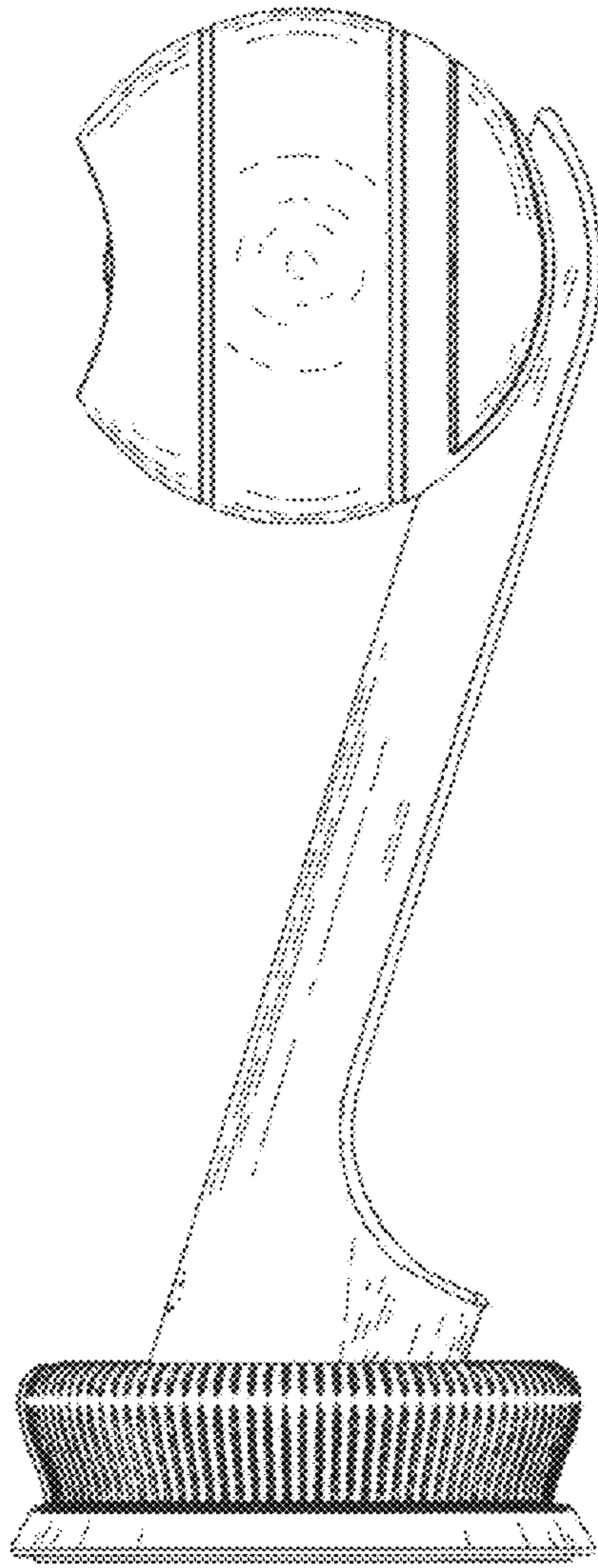


Fig. 3

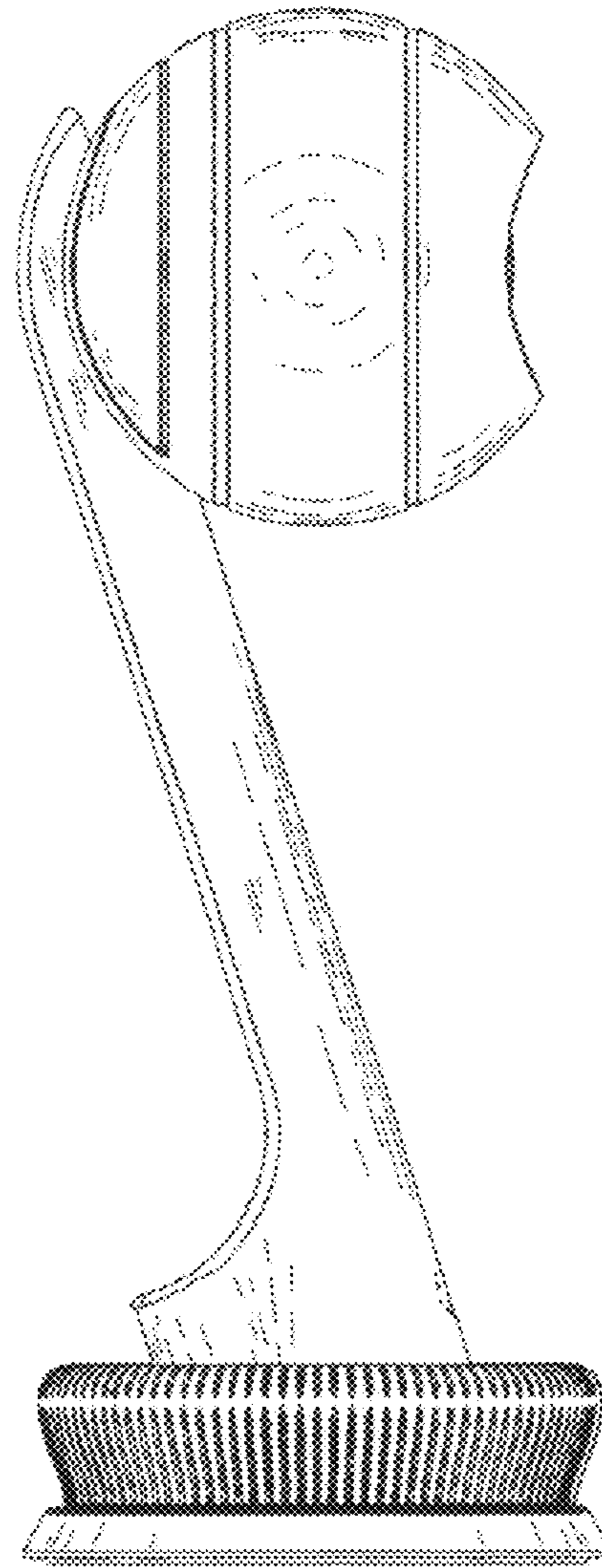


Fig. 4

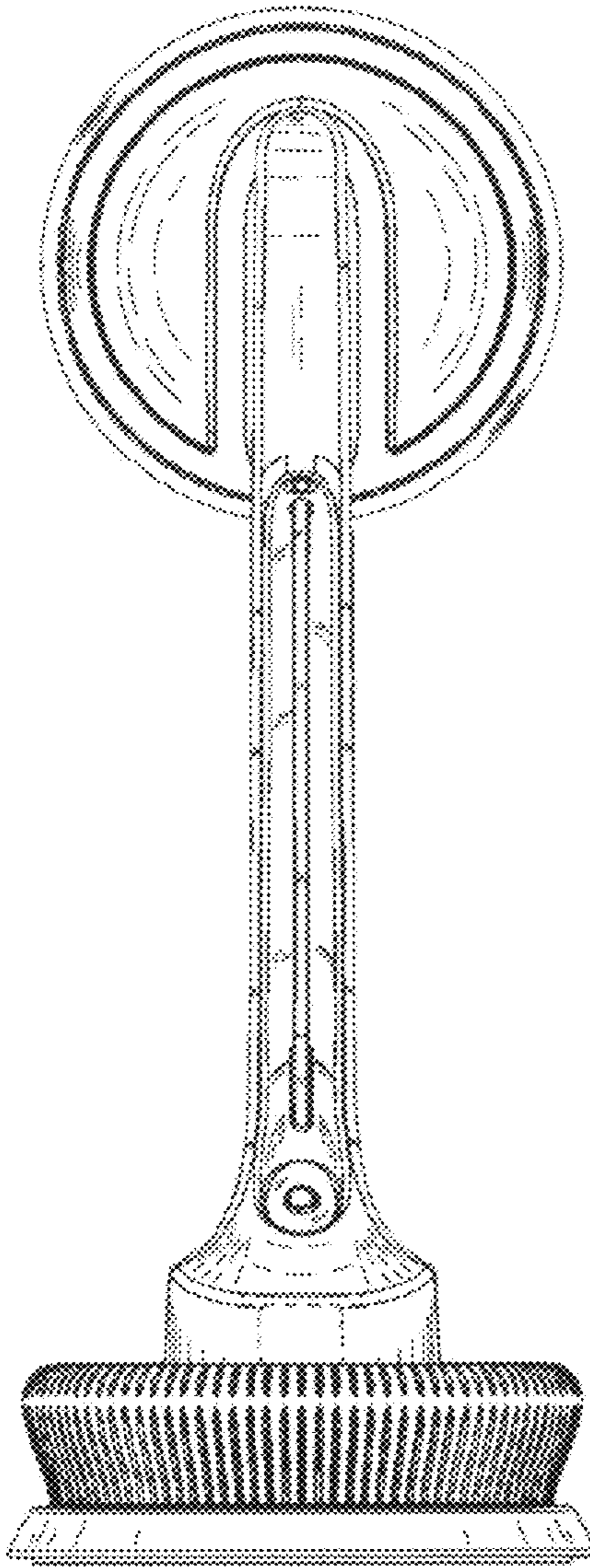


Fig. 5

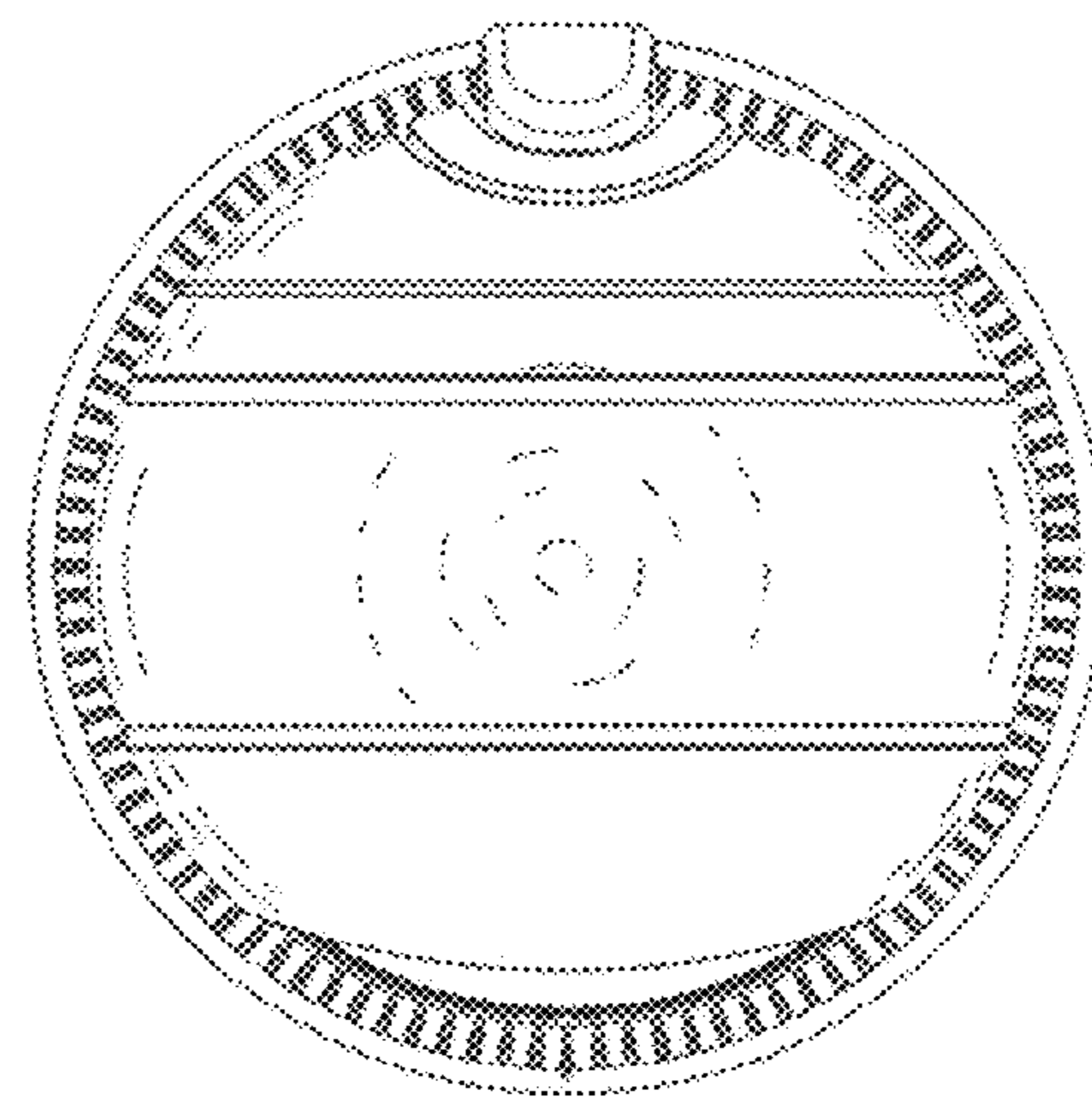


Fig. 6