



US00D729775S

(12) **United States Design Patent**  
**Seo et al.**

(10) **Patent No.:** **US D729,775 S**

(45) **Date of Patent:** **\*\* May 19, 2015**

(54) **EARPHONE RECEIVER**

(71) Applicant: **LG ELECTRONICS INC.**, Seoul (KR)

(72) Inventors: **Hyun Seung Seo**, Seoul (KR); **Young Ho Kim**, Seoul (KR); **Jae Young Kim**, Seoul (KR)

(73) Assignee: **LG Electronics Inc.**, Seoul (KR)

(\*\*) Term: **14 Years**

(21) Appl. No.: **29/482,480**

(22) Filed: **Feb. 19, 2014**

(30) **Foreign Application Priority Data**

Sep. 5, 2013 (KR) ..... 30-2013-0045957

(51) **LOC (10) Cl.** ..... **14-01**

(52) **U.S. Cl.**  
USPC ..... **D14/223; D14/205**

(58) **Field of Classification Search**  
CPC ..... H04R 1/10  
USPC ..... D14/223, 205; 181/129, 130, 135;  
379/430, 431; 381/380, 381; 455/90.3,  
455/575.1

See application file for complete search history.

(56) **References Cited**

**U.S. PATENT DOCUMENTS**

D435,036	S	*	12/2000	Koss et al.	.....	D14/223
D519,108	S	*	4/2006	Yang	.....	D14/223
D572,703	S	*	7/2008	Ledbetter et al.	.....	D14/205
D587,681	S	*	3/2009	Yanai	.....	D14/205
D589,493	S	*	3/2009	Densho	.....	D14/206
D591,721	S	*	5/2009	Densho	.....	D14/205
D591,722	S	*	5/2009	Densho	.....	D14/205
D606,971	S	*	12/2009	Christopher et al.	.....	D14/205
D611,934	S	*	3/2010	Schaefer	.....	D14/223
D618,211	S	*	6/2010	Oguro et al.	.....	D14/205
D619,122	S	*	7/2010	Nomura	.....	D14/223
D621,389	S	*	8/2010	Nagayama et al.	.....	D14/223
D623,630	S	*	9/2010	Ohori et al.	.....	D14/223

D631,034	S	*	1/2011	Yeo	.....	D14/205
D632,677	S	*	2/2011	Brown et al.	.....	D14/223
D648,317	S	*	11/2011	Katsuraku et al.	.....	D14/205
D666,581	S	*	9/2012	Perez	.....	D14/223
D674,904	S	*	1/2013	Aunio	.....	D24/210
8,391,536	B2	*	3/2013	Hashimoto	.....	381/380
D697,058	S	*	1/2014	Thompson et al.	.....	D14/223
D698,761	S	*	2/2014	Bao	.....	D14/223
D711,356	S	*	8/2014	Yang	.....	D14/223
D719,548	S	*	12/2014	Thompson et al.	.....	D14/223
2007/0098201	A1	*	5/2007	Chen	.....	381/380
2011/0176700	A1	*	7/2011	Hashimoto	.....	381/380

**OTHER PUBLICATIONS**

LG G2 Coming with New and Improved Quadbeat 2 Headphones, Internet Newspaper, [http://www.phonerena.com/news/LG-G2-coming-with-new-and-improved-Quadbeat-2-headphones\\_id46075](http://www.phonerena.com/news/LG-G2-coming-with-new-and-improved-Quadbeat-2-headphones_id46075), Aug. 5, 2013.

\* cited by examiner

*Primary Examiner* — Paula Greene

(74) *Attorney, Agent, or Firm* — Morgan, Lewis & Bockius LLP

(57) **CLAIM**

We claim the ornamental design for an earphone receiver, as shown and described.

**DESCRIPTION**

FIG. 1 is a perspective view of an earphone receiver showing the new design;

FIG. 2 is a front elevation view thereof;

FIG. 3 is a rear elevation view thereof;

FIG. 4 is a left-side elevation view thereof;

FIG. 5 is a right-side elevation view thereof;

FIG. 6 is a top plan view thereof;

FIG. 7 is a bottom plan view thereof; and,

FIG. 8 is a perspective view in a state of use thereof.

The broken lines shown in the figure are included for the purpose of illustrating environment and form no part of the claimed design.

**1 Claim, 5 Drawing Sheets**

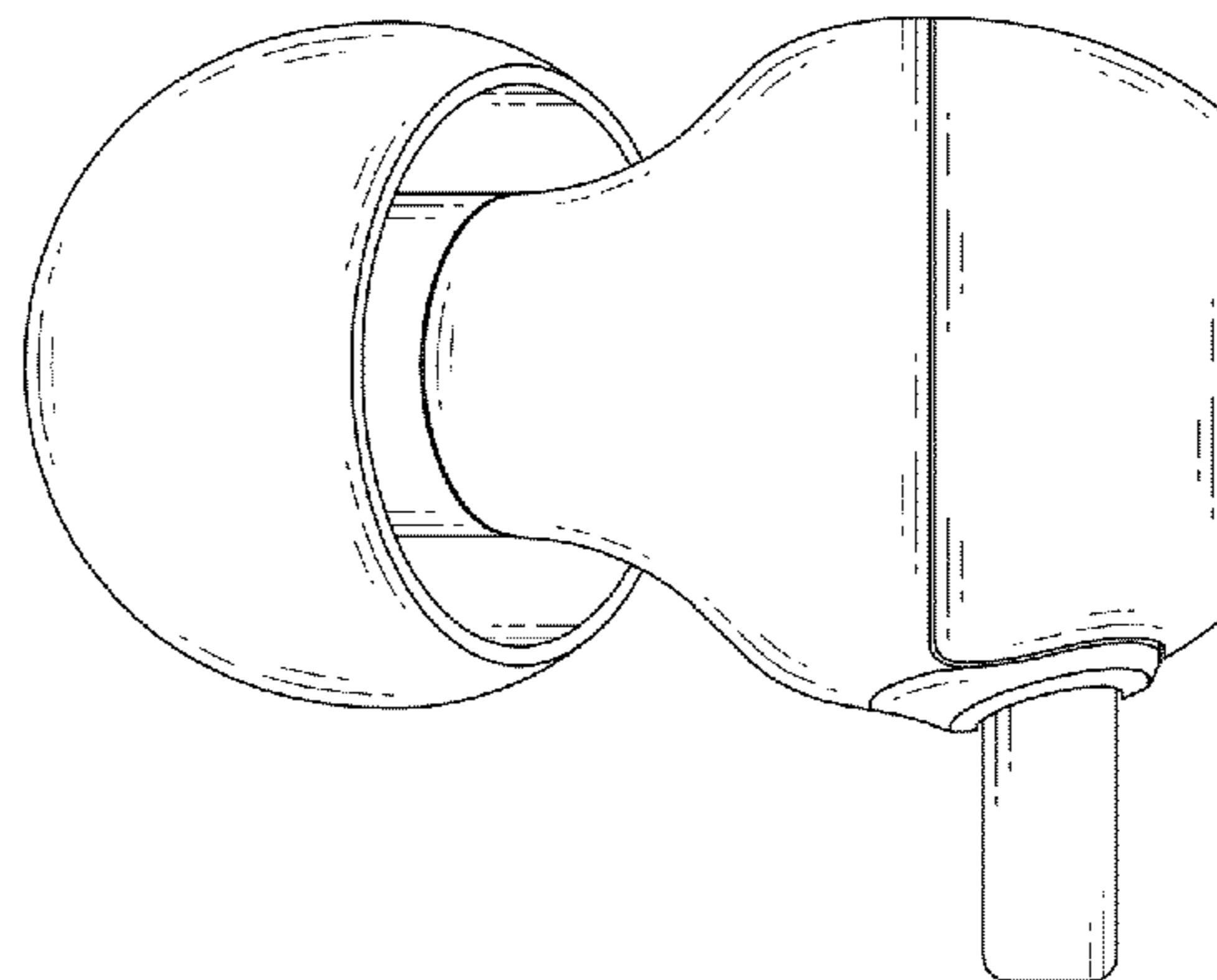
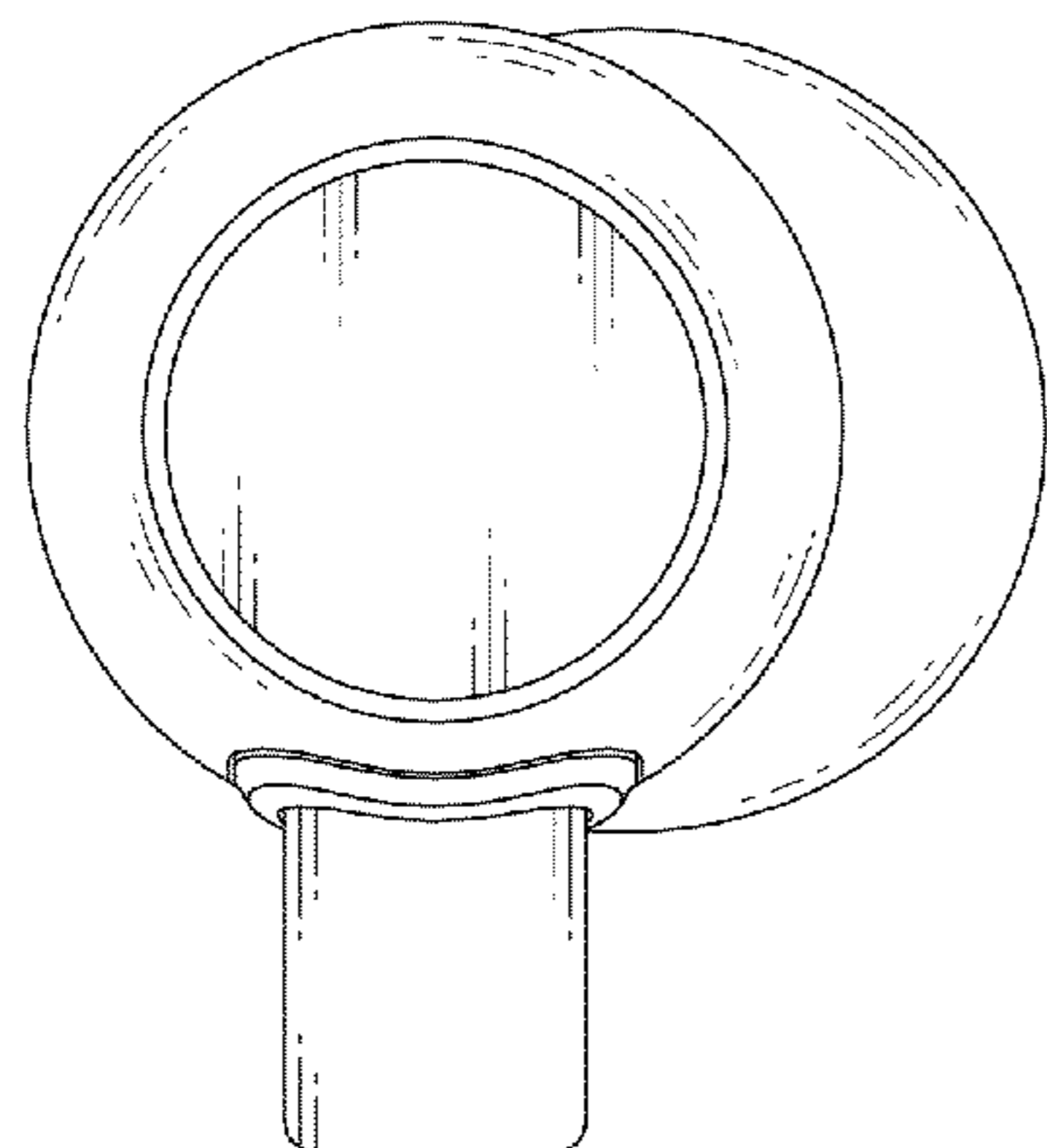


FIG. 1

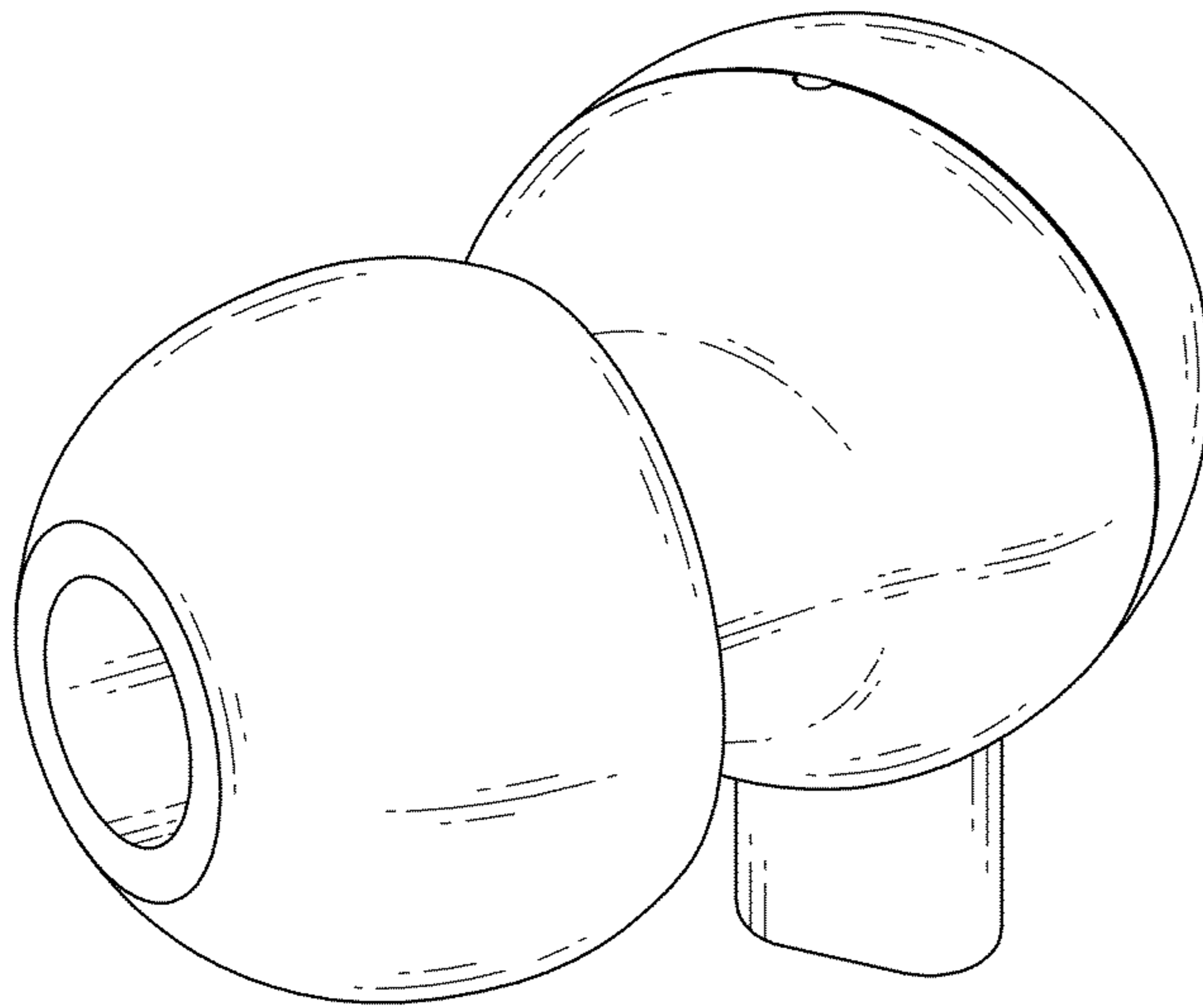


FIG. 2

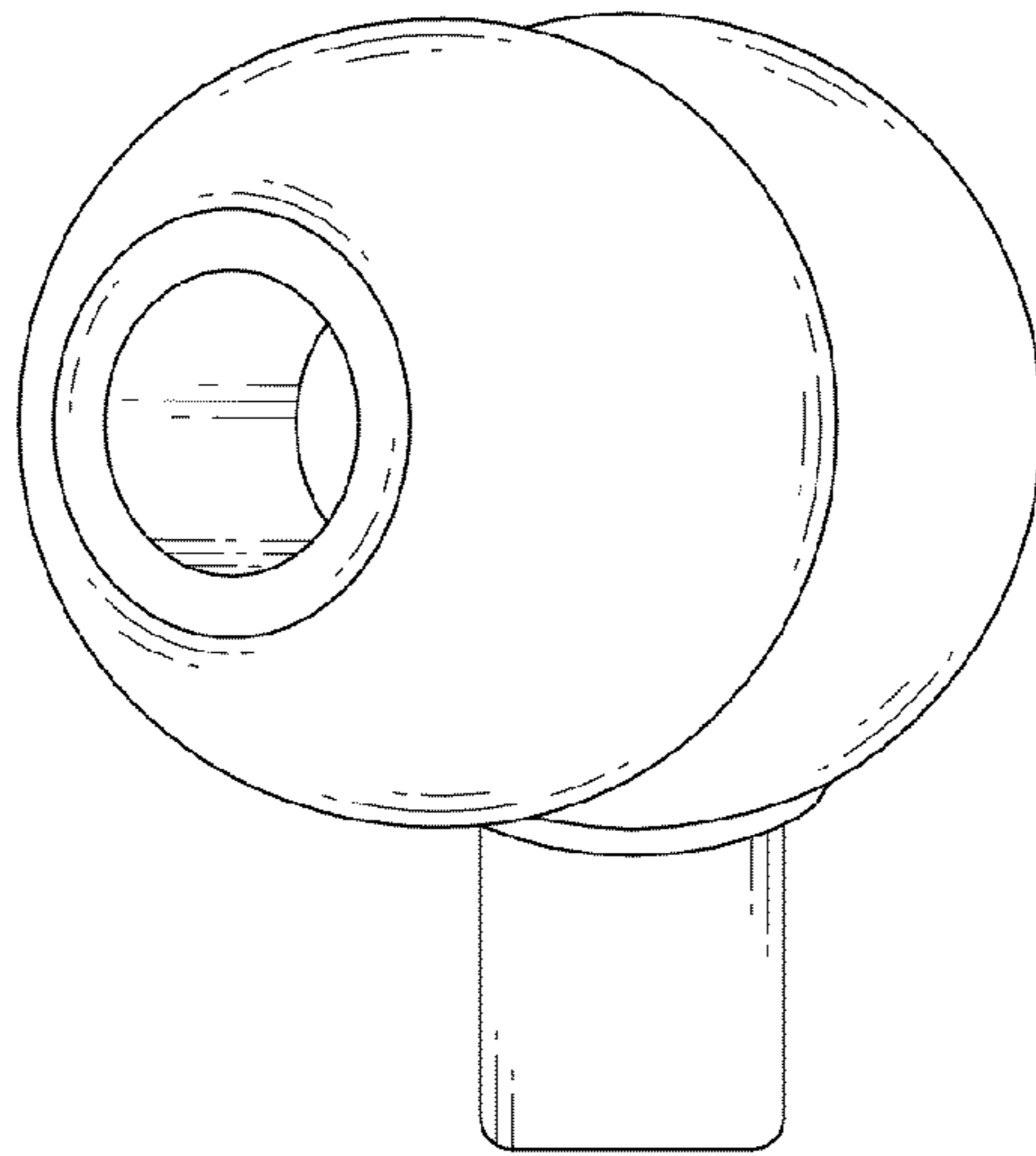


FIG. 3

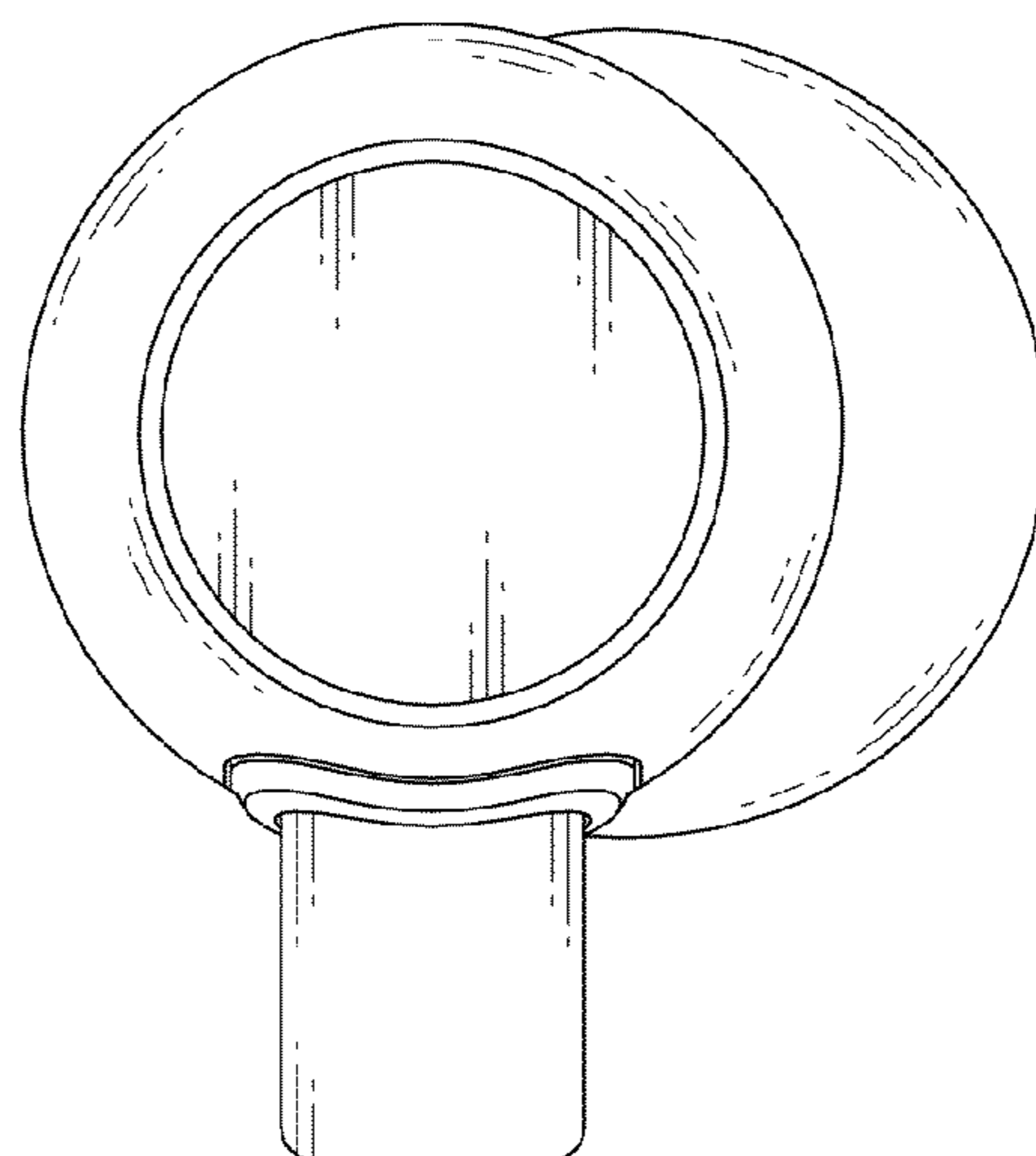


FIG. 4

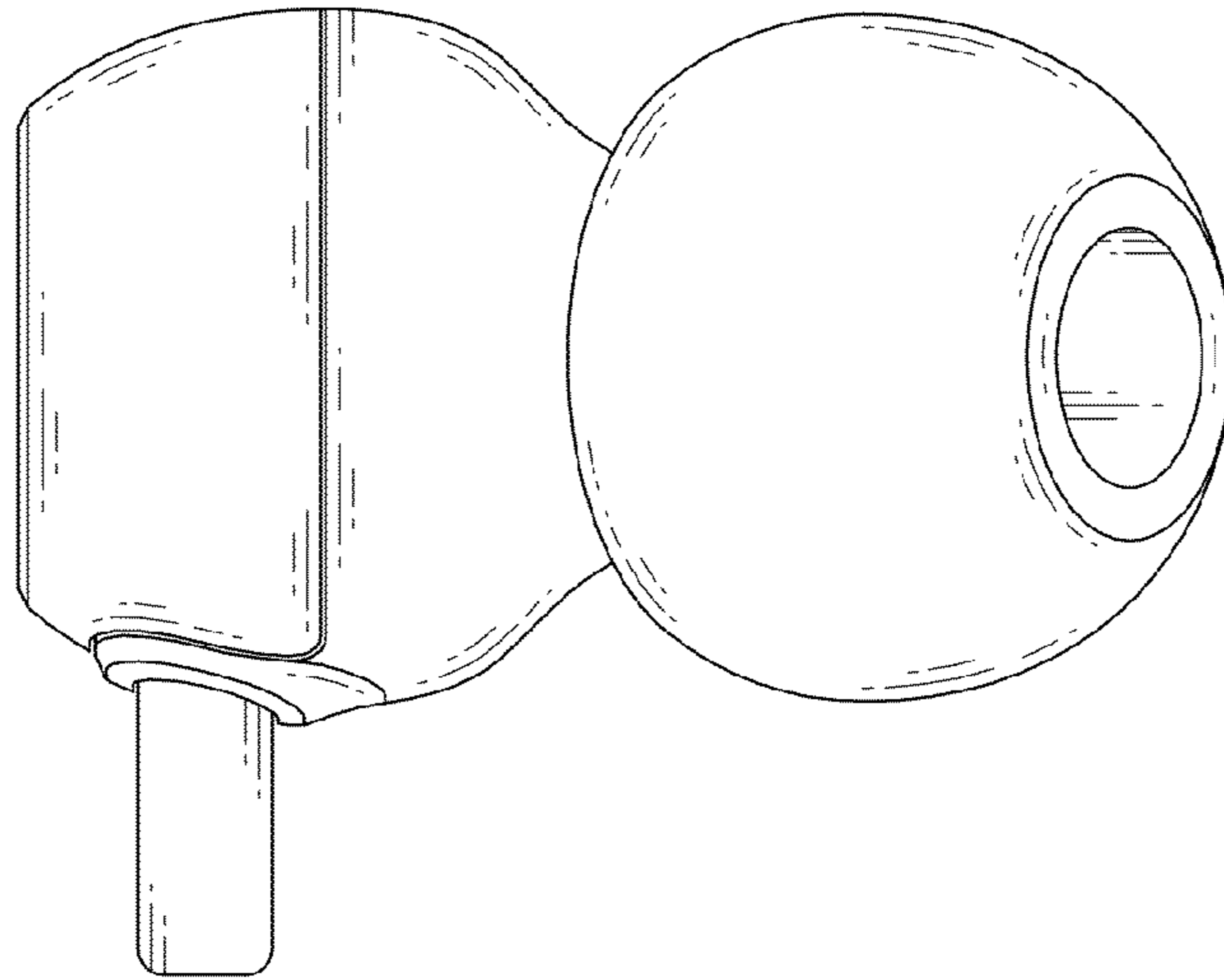


FIG. 5

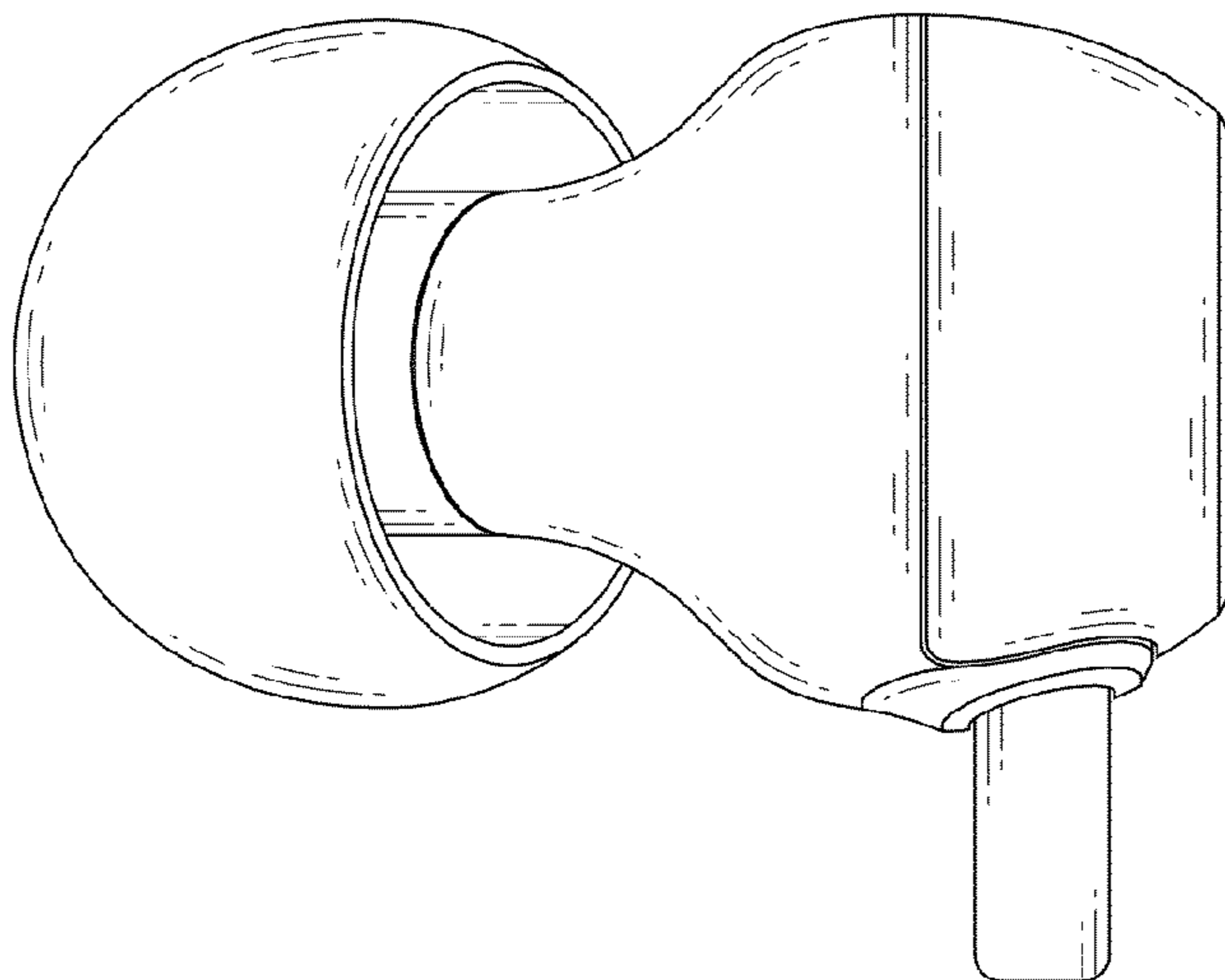


FIG. 6

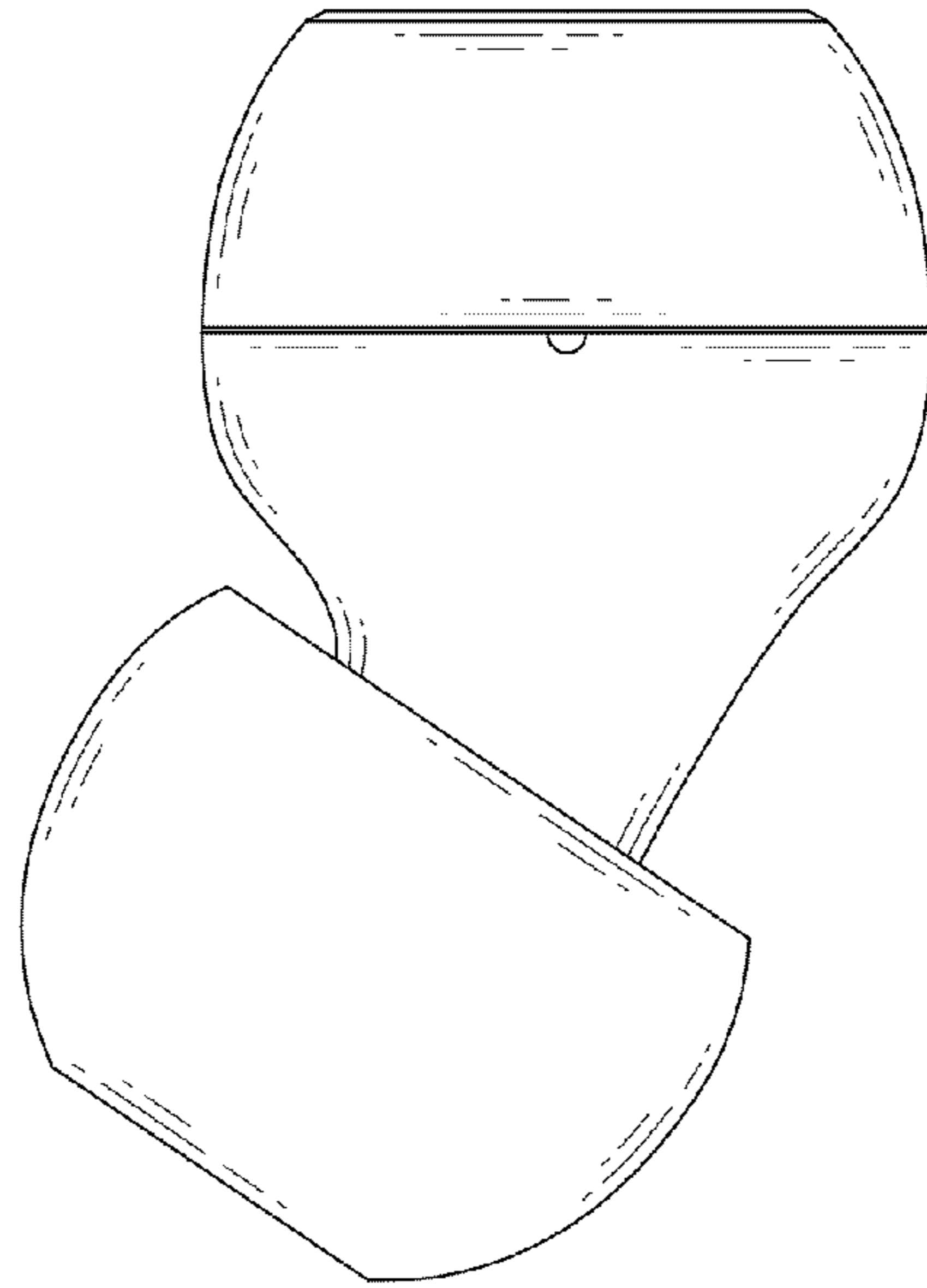


FIG. 7

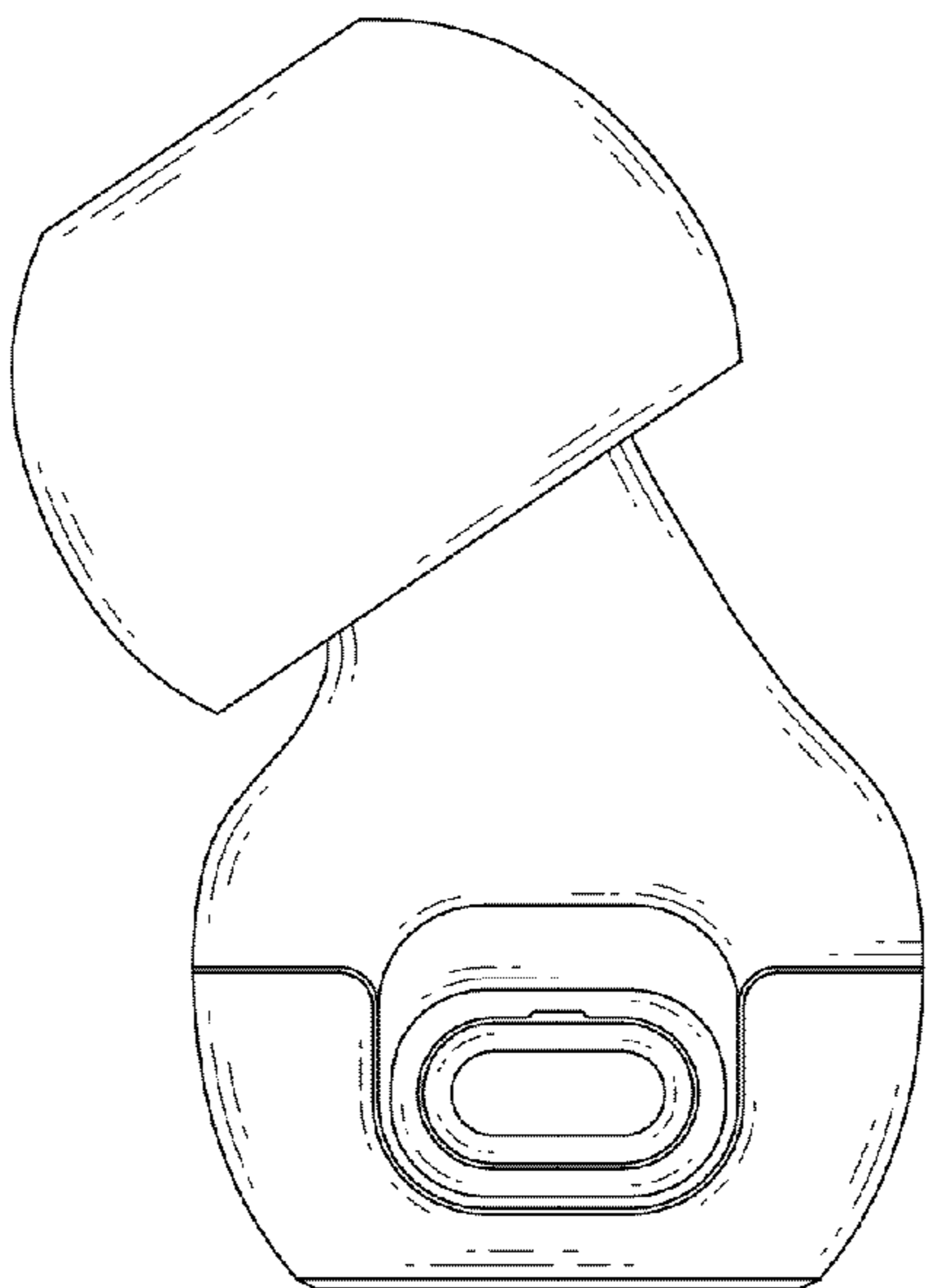


FIG. 8

