



US00D729774S

(12) **United States Design Patent**
Uchiyama et al.

(10) **Patent No.:** **US D729,774 S**

(45) **Date of Patent:** **** May 19, 2015**

(54) **REMOTE CONTROLLER**

(71) Applicant: **Panasonic Corporation**, Osaka (JP)

(72) Inventors: **Katsuyoshi Uchiyama**, Osaka (JP);
Takashi Inoue, Nara (JP); **Kenji Miyata**, Osaka (JP)

(73) Assignee: **Panasonic Intellectual Property Management Co., Ltd.**, Osaka (JP)

(**) Term: **14 Years**

(21) Appl. No.: **29/475,646**

(22) Filed: **Dec. 5, 2013**

(51) **LOC (10) Cl.** **14-03**

(52) **U.S. Cl.**
USPC **D14/218**

(58) **Field of Classification Search**
USPC D14/218, 137-139, 174, 151, 191-193,
D14/299, 167, 168, 221; D13/168,
D13/162-164; D21/512-517, 566;
D10/104, 106; 455/352-355,
455/151.1-151.4, 128, 347, 90.3; 348/114,
348/734

See application file for complete search history.

(56) **References Cited**

U.S. PATENT DOCUMENTS

D520,991 S *	5/2006	Ma et al.	D14/240
D531,136 S *	10/2006	Schoenert et al.	D13/168
D573,981 S *	7/2008	Hoehn et al.	D14/218
D618,681 S *	6/2010	Richter et al.	D14/358
D626,942 S *	11/2010	Aquillano et al.	D14/218
D641,717 S *	7/2011	Nan	D13/168
D668,243 S *	10/2012	Aquillano	D14/218
D681,608 S *	5/2013	Takami et al.	D14/218
D687,414 S *	8/2013	Vuillet	D14/218
D701,496 S *	3/2014	Namminga	D13/168
D722,046 S *	2/2015	Kuh	D14/218
D722,306 S *	2/2015	Jang	D14/218

* cited by examiner

Primary Examiner — John Windmuller

(74) *Attorney, Agent, or Firm* — Panasonic Patent Center

(57) **CLAIM**

We claim the ornamental design for a remote controller, as shown and described.

DESCRIPTION

FIG. 1 is a top perspective view of a remote controller of the present invention;
FIG. 2 is a bottom perspective view thereof;
FIG. 3 is a front view thereof;
FIG. 4 is a rear view thereof;
FIG. 5 is a first side view thereof;
FIG. 6 is a second side view thereof;
FIG. 7 is a top view thereof; and,
FIG. 8 is a bottom view thereof.

1 Claim, 8 Drawing Sheets

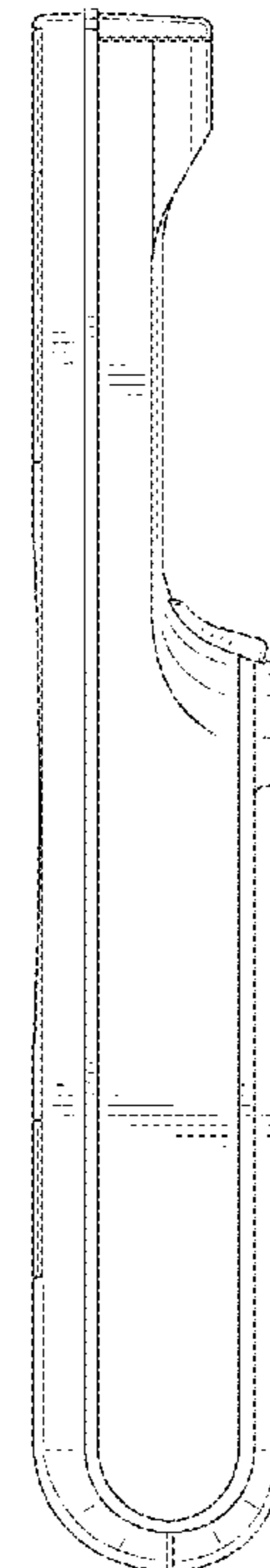
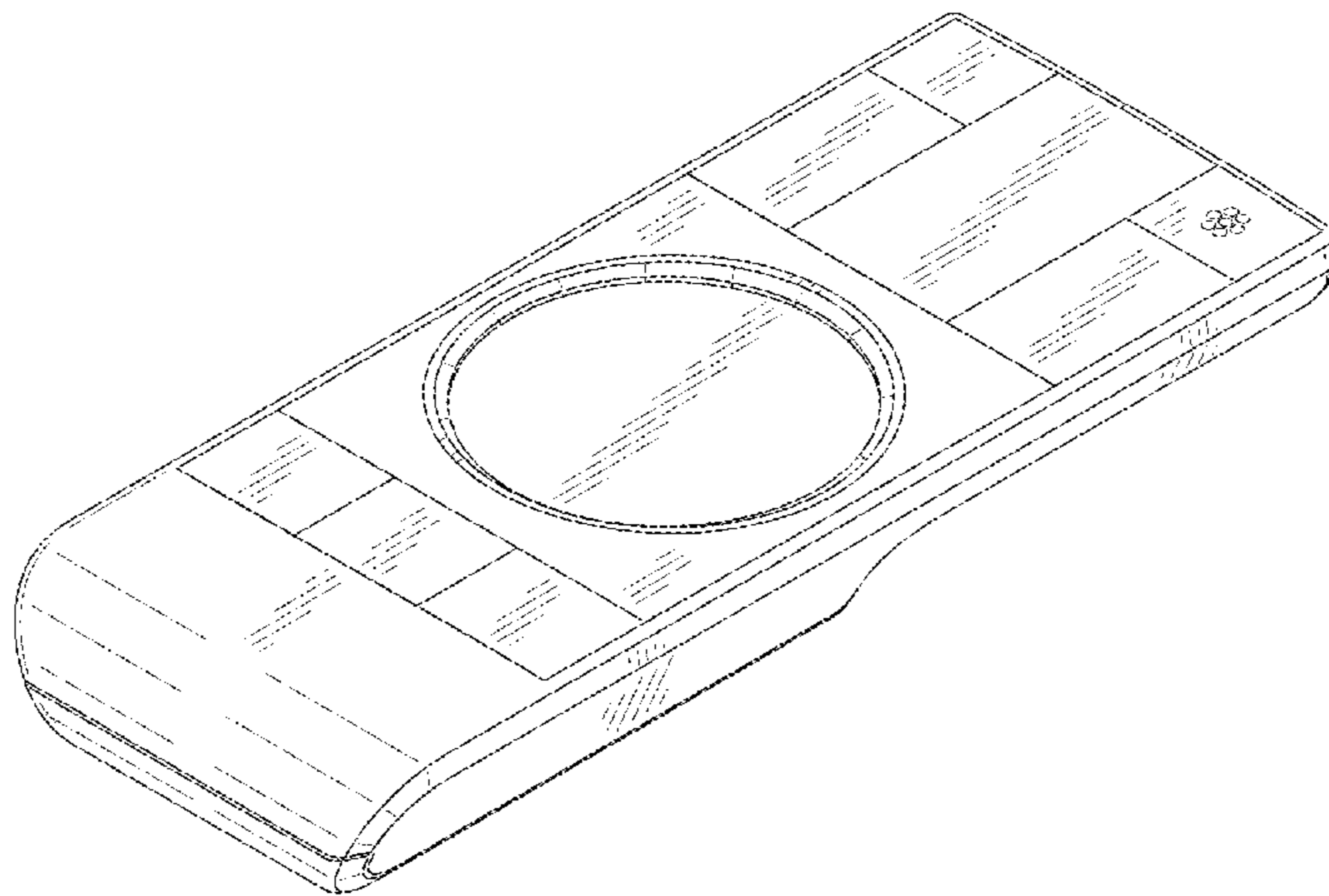


FIG. 1

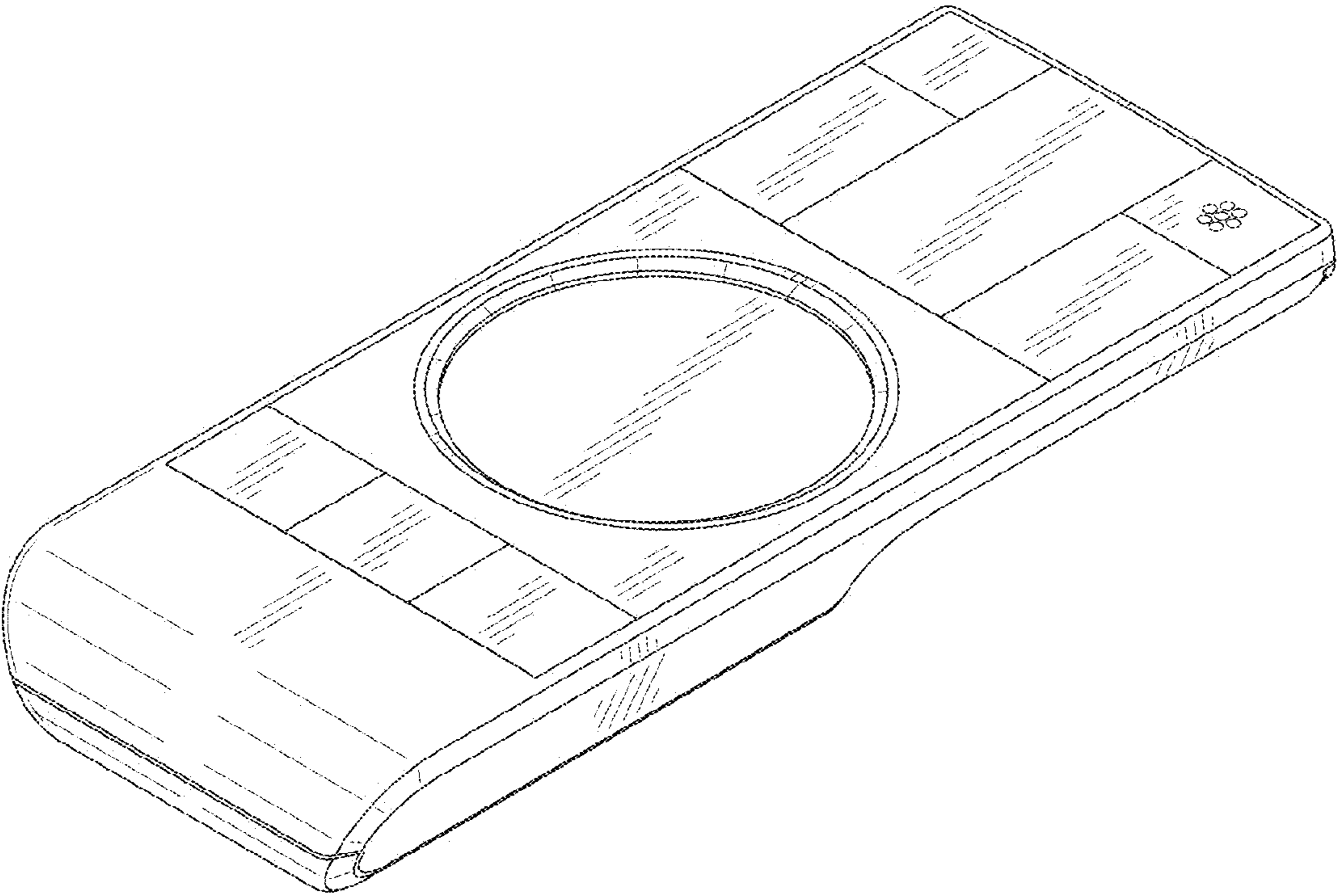


FIG. 2

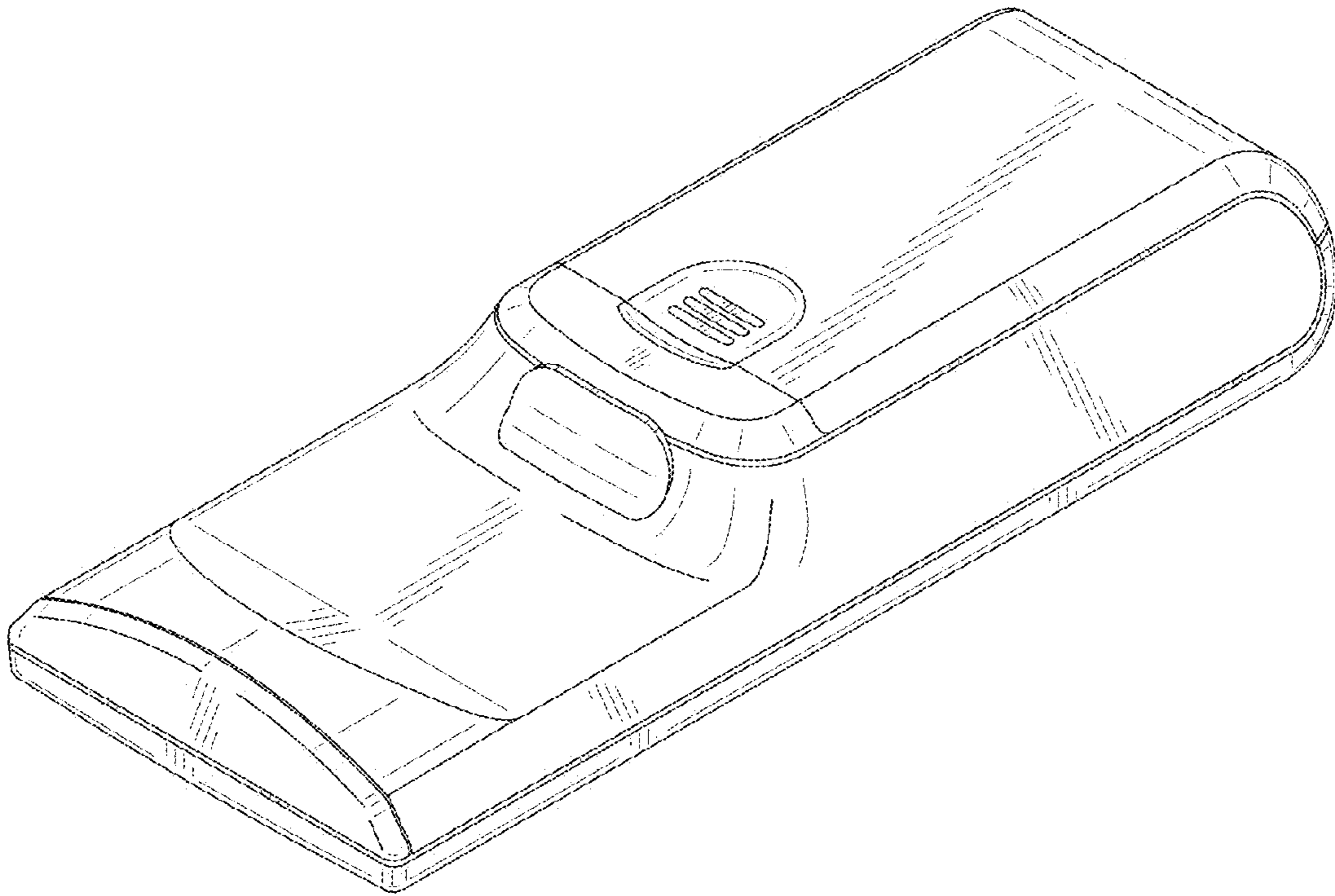


FIG. 3

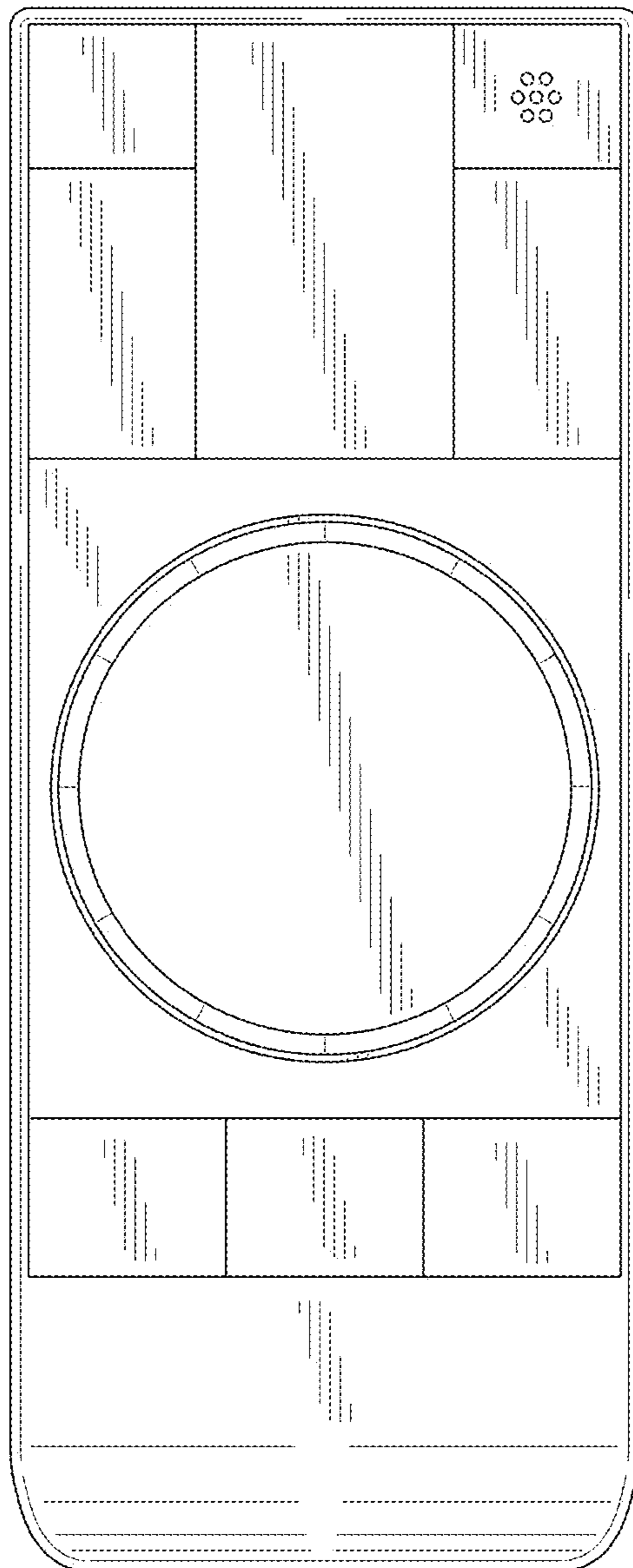


FIG. 4

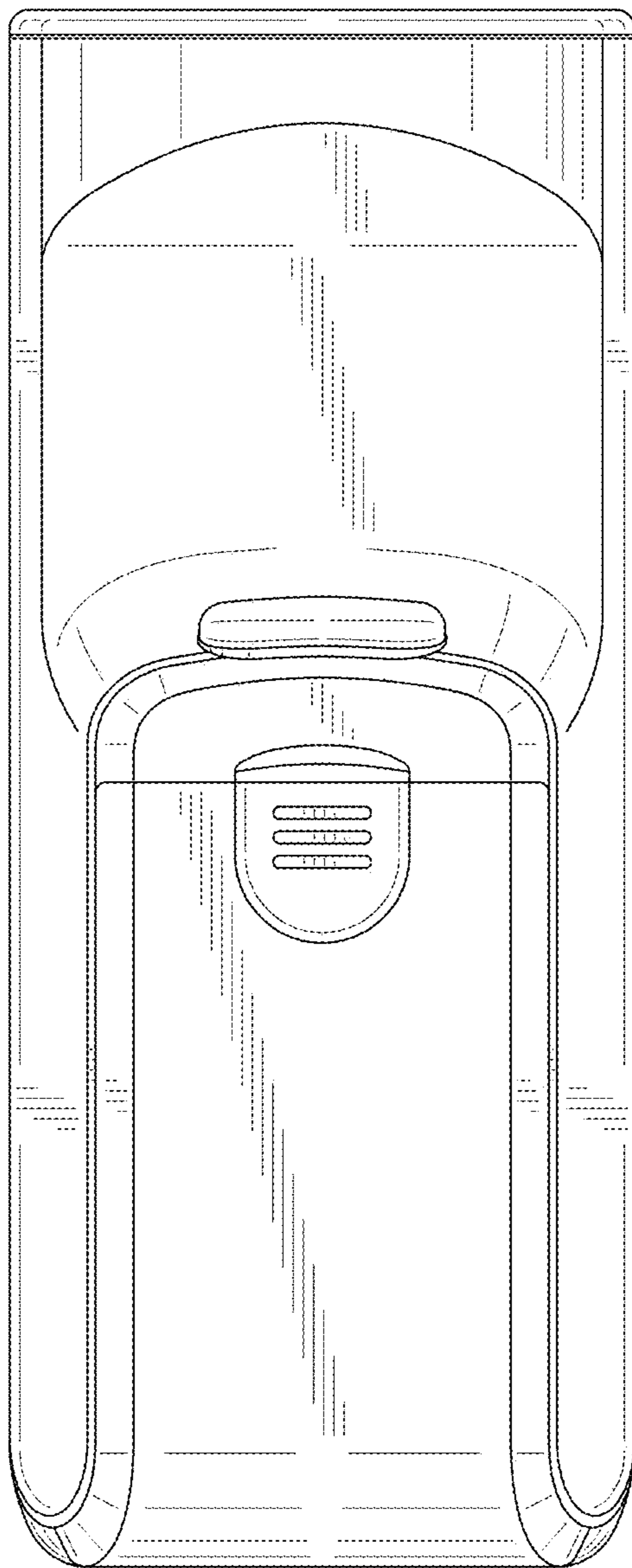


FIG. 5

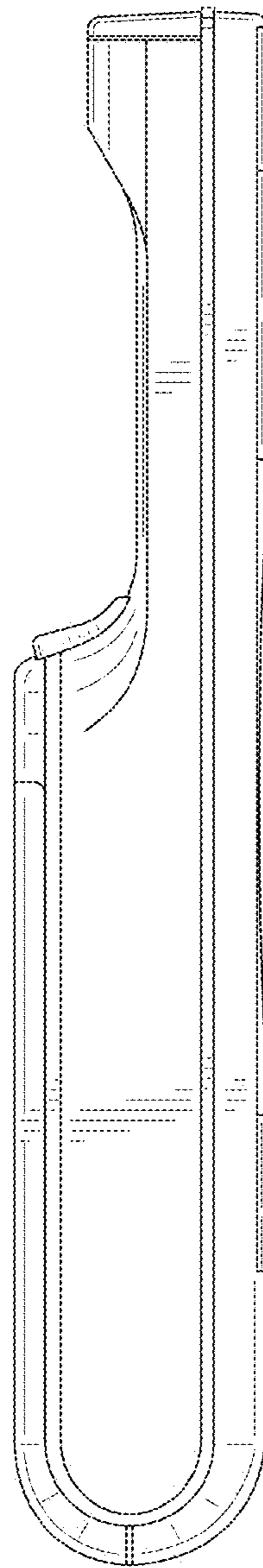


FIG. 6

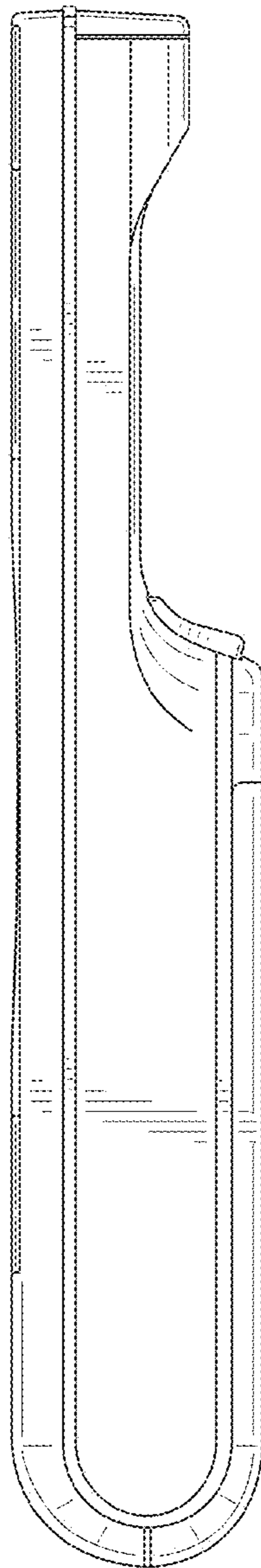


FIG. 7

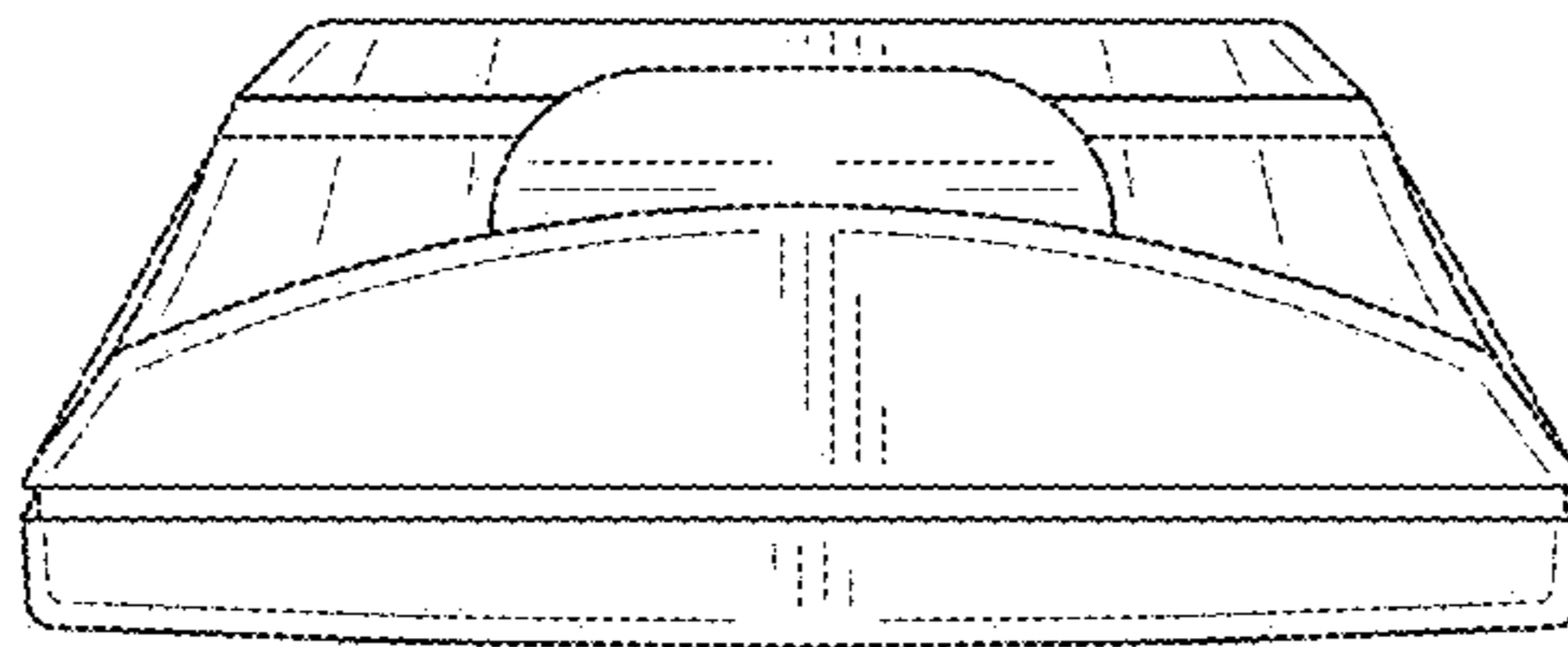


FIG. 8

