



US00D729772S

(12) **United States Design Patent**
Ferber et al.

(10) **Patent No.:** **US D729,772 S**

(45) **Date of Patent:** **** May 19, 2015**

(54) **SPEAKER**

(71) Applicant: **FKA Distributing Co., LLC**,
Commerce Township, MI (US)

(72) Inventors: **Roman S. Ferber**, West Bloomfield, MI
(US); **Hing Wah Tsang**, Ajax (CA);
Angelo Giovannone, Bolton (CA)

(73) Assignee: **FKA Distributing Co., LLC**,
Commerce Township, MI (US)

(**) Term: **14 Years**

(21) Appl. No.: **29/480,771**

(22) Filed: **Jan. 29, 2014**

(51) **LOC (10) Cl.** **14-03**

(52) **U.S. Cl.**
USPC **D14/216**

(58) **Field of Classification Search**
USPC D14/167, 168, 170-172, 188, 194-196,
D14/204, 207, 209.1, 210-216, 219, 221,
D14/222, 224, 496; 181/143, 144, 147, 148,
181/150, 153, 157, 198, 199; 381/300-303,
381/306, 332, 333, 336, 345, 361-364,
381/386-388; 369/6-12

See application file for complete search history.

(56) **References Cited**

U.S. PATENT DOCUMENTS

D303,970 S 10/1989 Collins et al.
D388,791 S 1/1998 McGreevy
D488,166 S 4/2004 Daniels
D518,026 S * 3/2006 Dayan D14/215

D584,290 S 1/2009 Lee
D602,911 S 10/2009 Wang et al.
D607,876 S 1/2010 Huang
D610,572 S 2/2010 Skurdal
D610,573 S 2/2010 Joseph
D620,480 S 7/2010 Garrett
D621,347 S 8/2010 Aulwes et al.
D625,295 S 10/2010 Nogueira et al.
D635,554 S 4/2011 Lee
D656,486 S 3/2012 Parraga Gimeno
D678,243 S * 3/2013 McManigal et al. D14/214
D683,311 S 5/2013 Siminoff et al.
D689,846 S * 9/2013 Nylen D14/216
D691,587 S 10/2013 Ferber et al.
D692,413 S * 10/2013 Holzer D14/216
D697,054 S * 1/2014 Li et al. D14/216

* cited by examiner

Primary Examiner — Keli L Hill

(74) *Attorney, Agent, or Firm* — Brooks Kushman P.C.

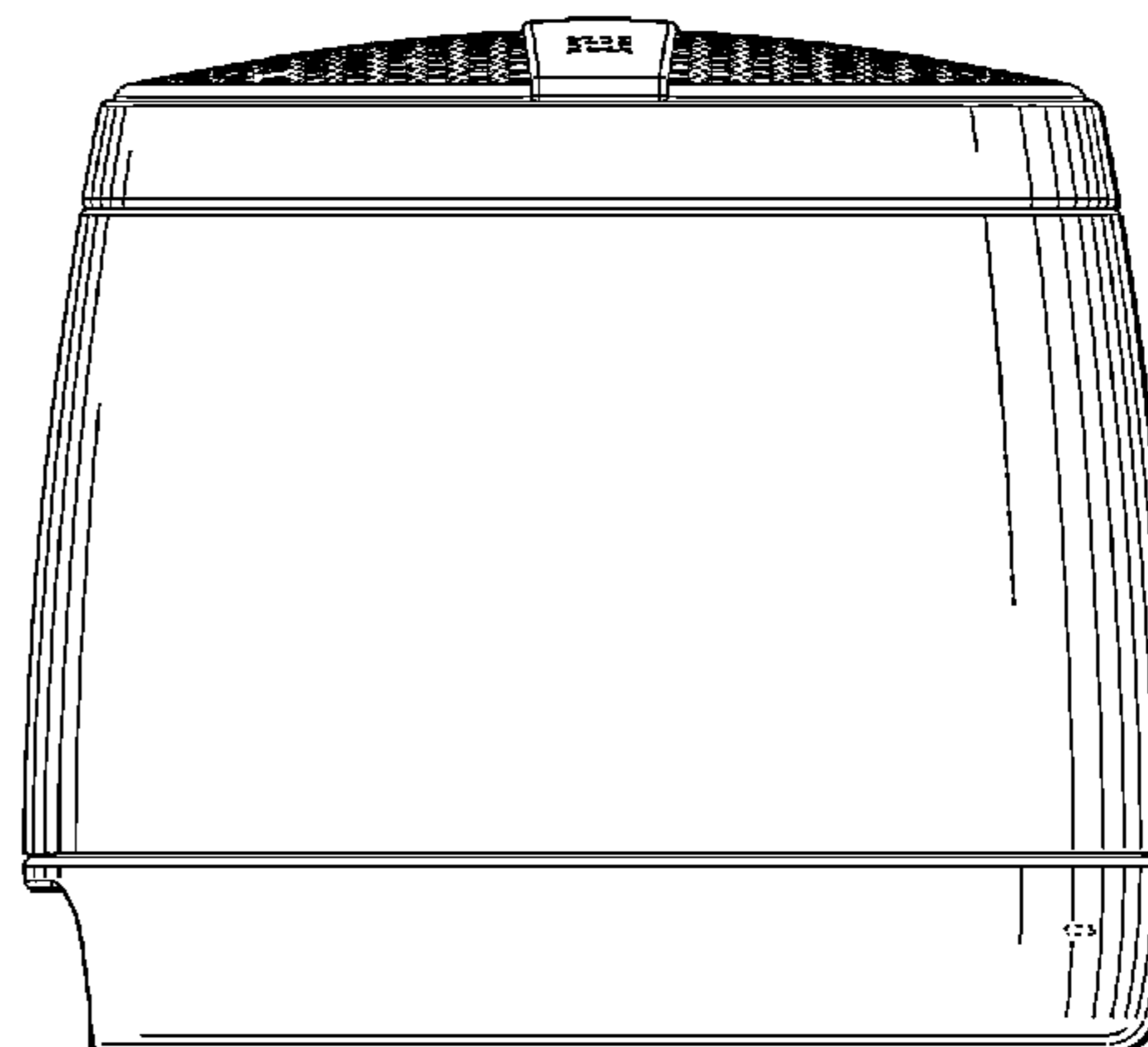
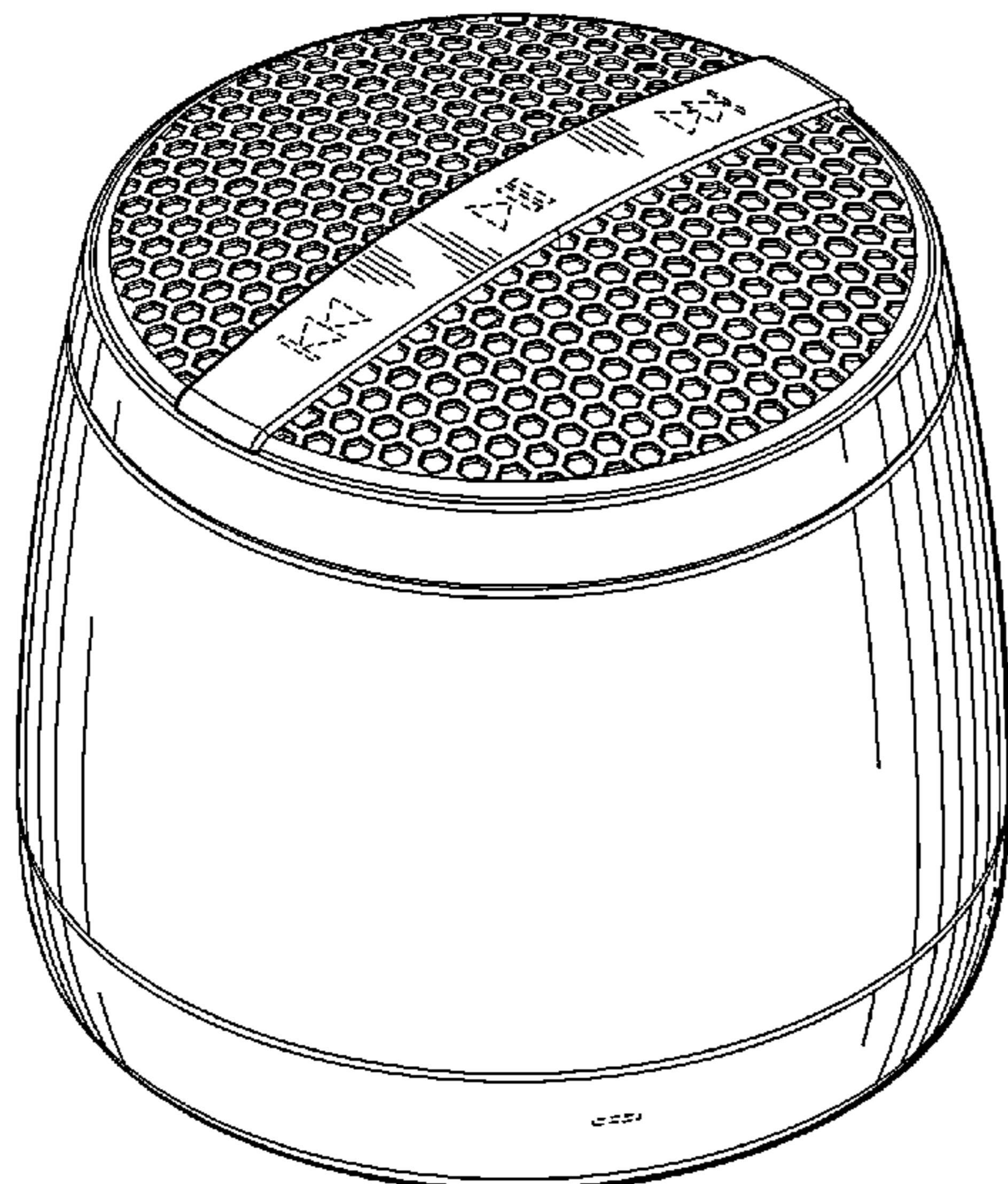
(57) **CLAIM**

The ornamental design for a speaker, as shown and described.

DESCRIPTION

FIG. 1 is a perspective view of a speaker according to an embodiment;
FIG. 2 is a front view of the speaker of FIG. 1;
FIG. 3 is a rear view of the speaker of FIG. 1;
FIG. 4 is a right side view of the speaker of FIG. 1;
FIG. 5 is a left side view of the speaker of FIG. 1;
FIG. 6 is a top view of the speaker of FIG. 1; and,
FIG. 7 is a bottom view of the speaker of FIG. 1.
The broken lines shown are included for the purpose of illustrating portions of the speaker that form no part of the claim.

1 Claim, 4 Drawing Sheets



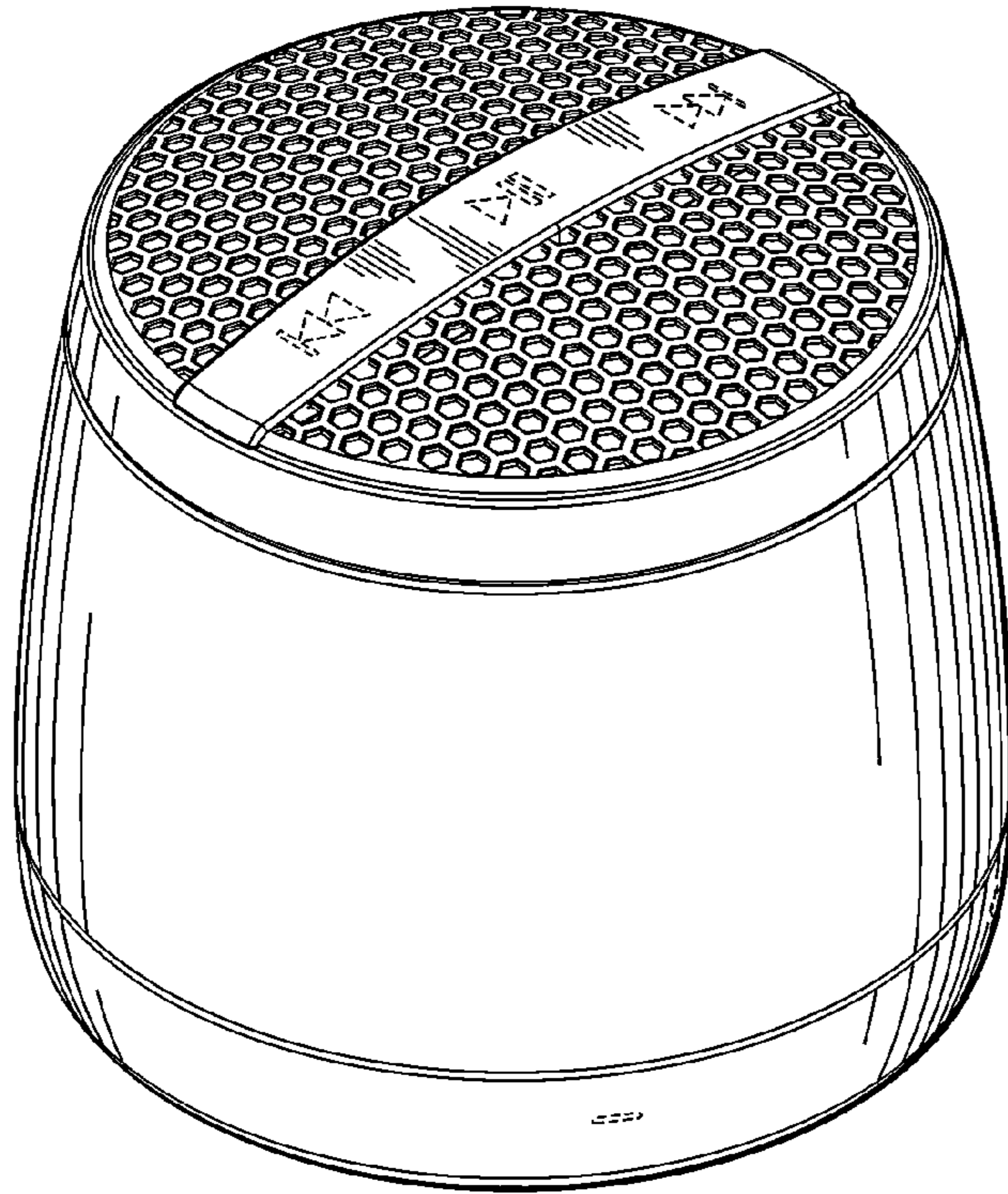


FIG. 1

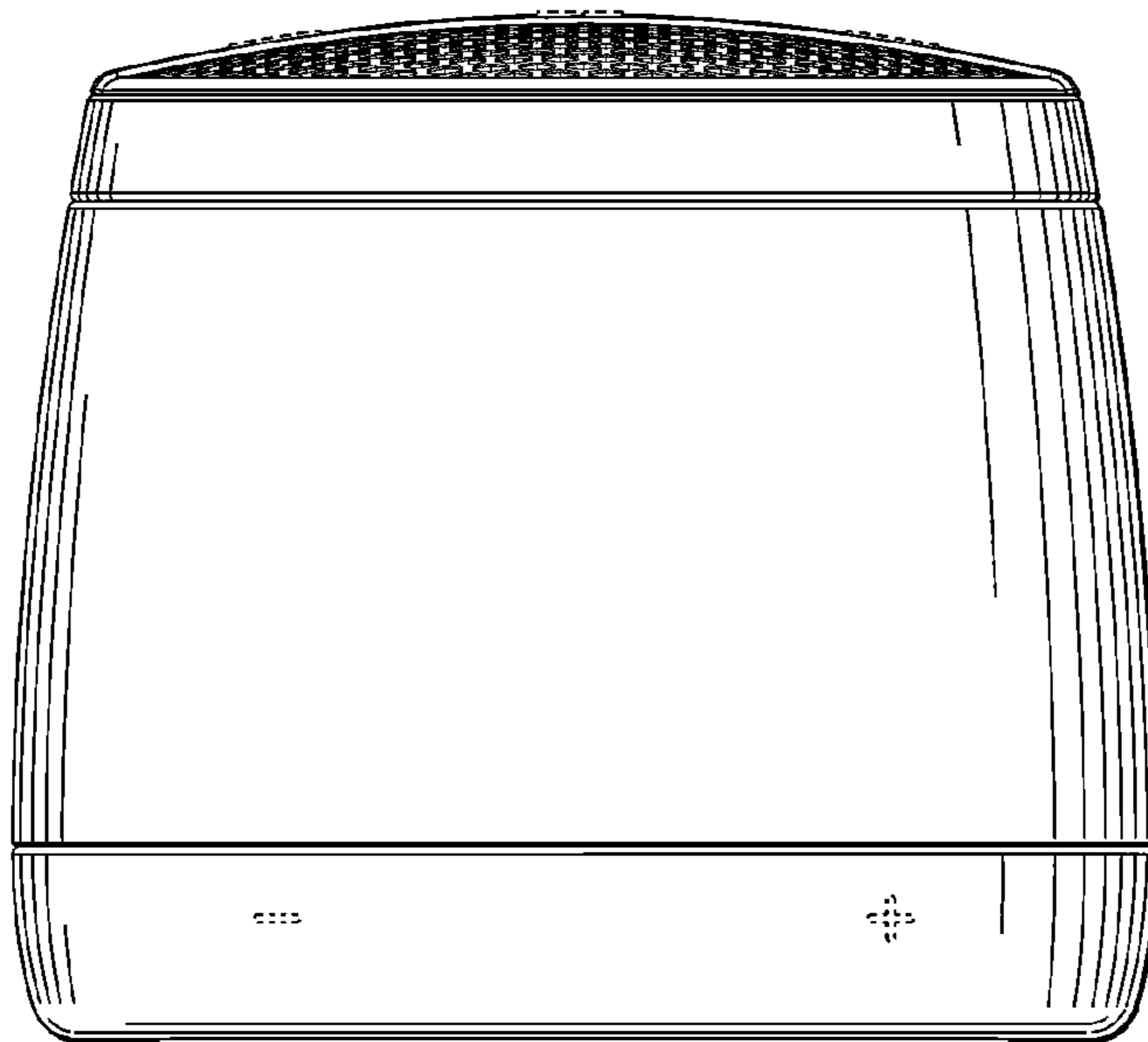


FIG. 2

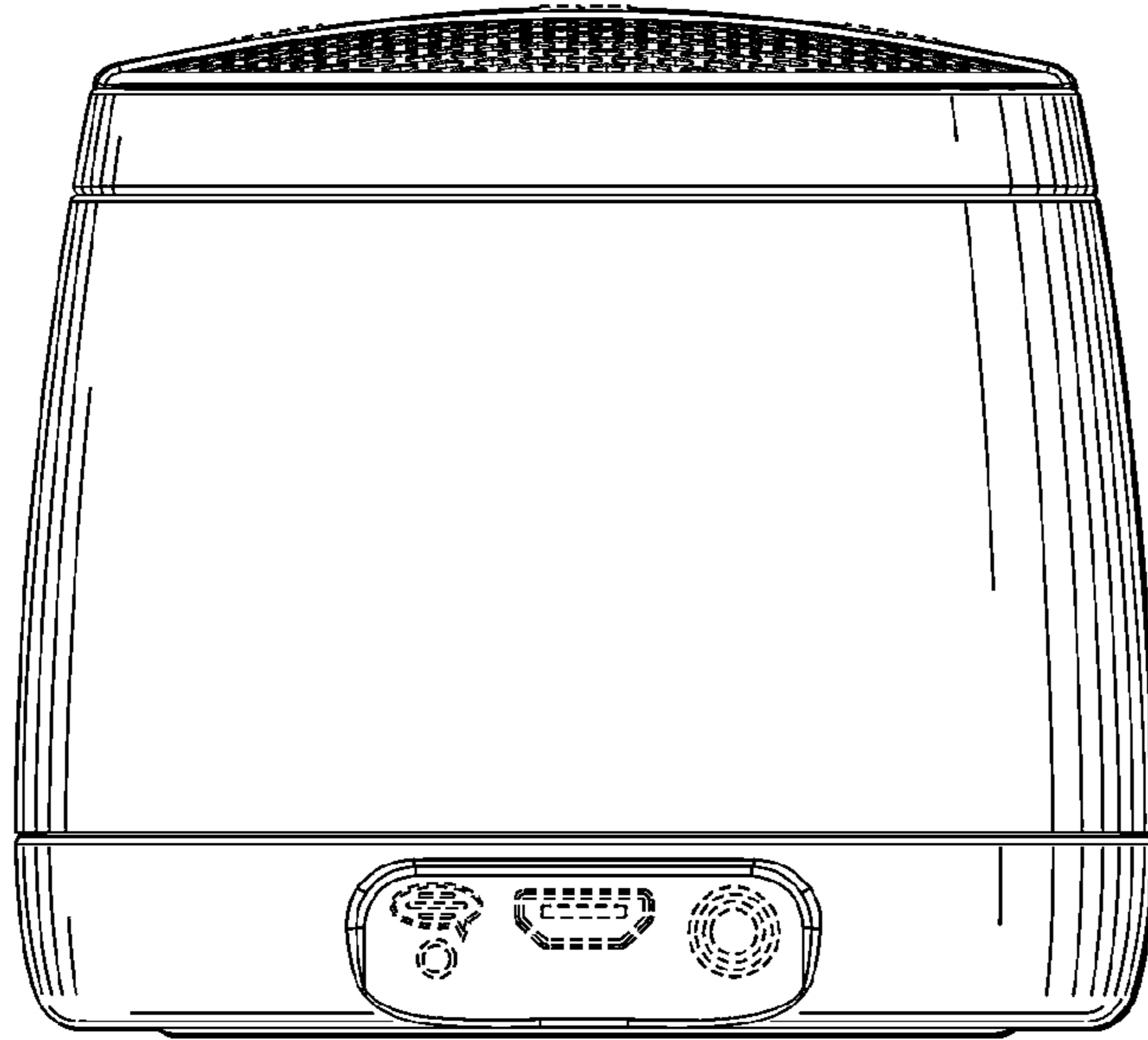


FIG. 3

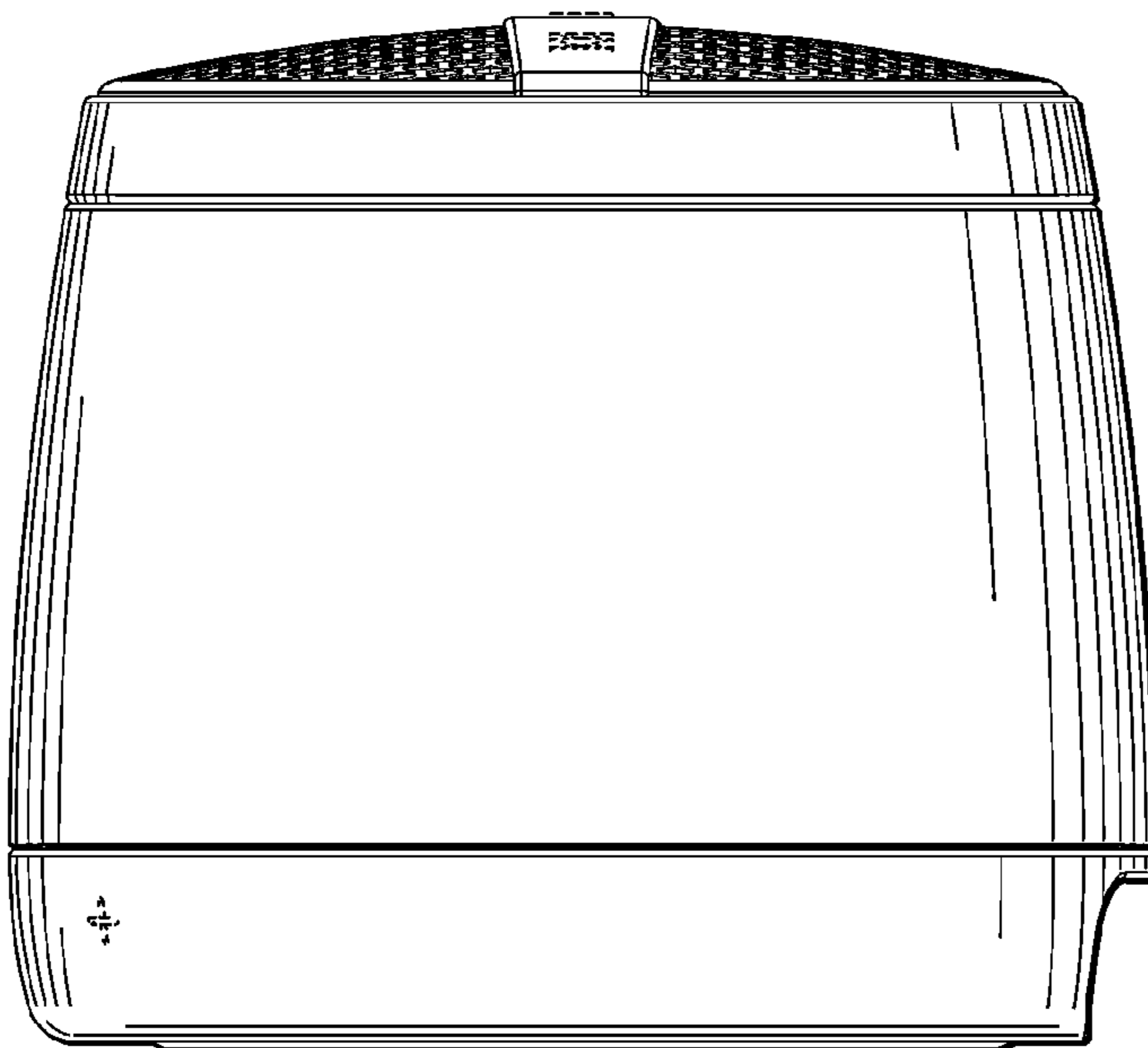


FIG. 4

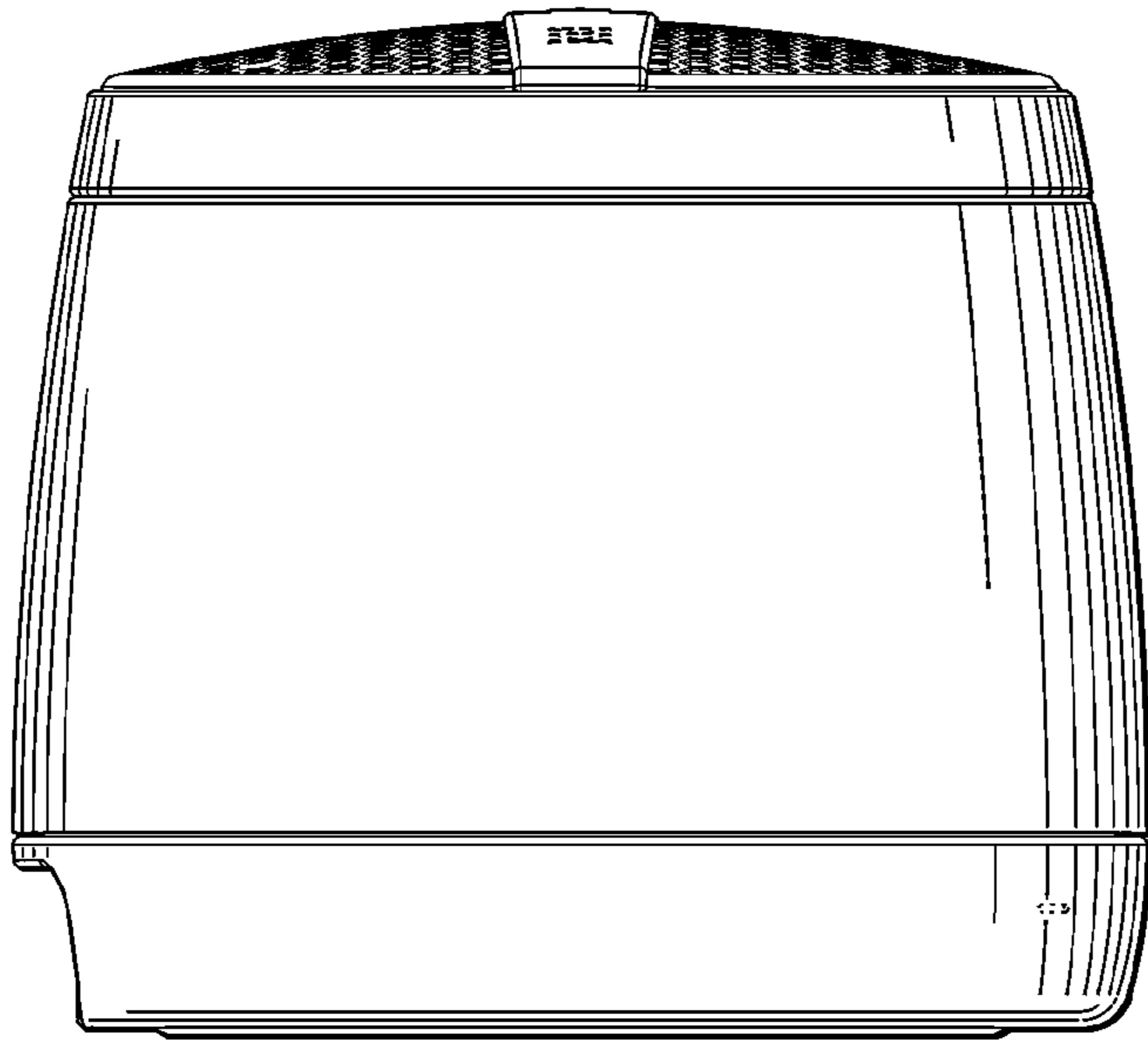


FIG. 5

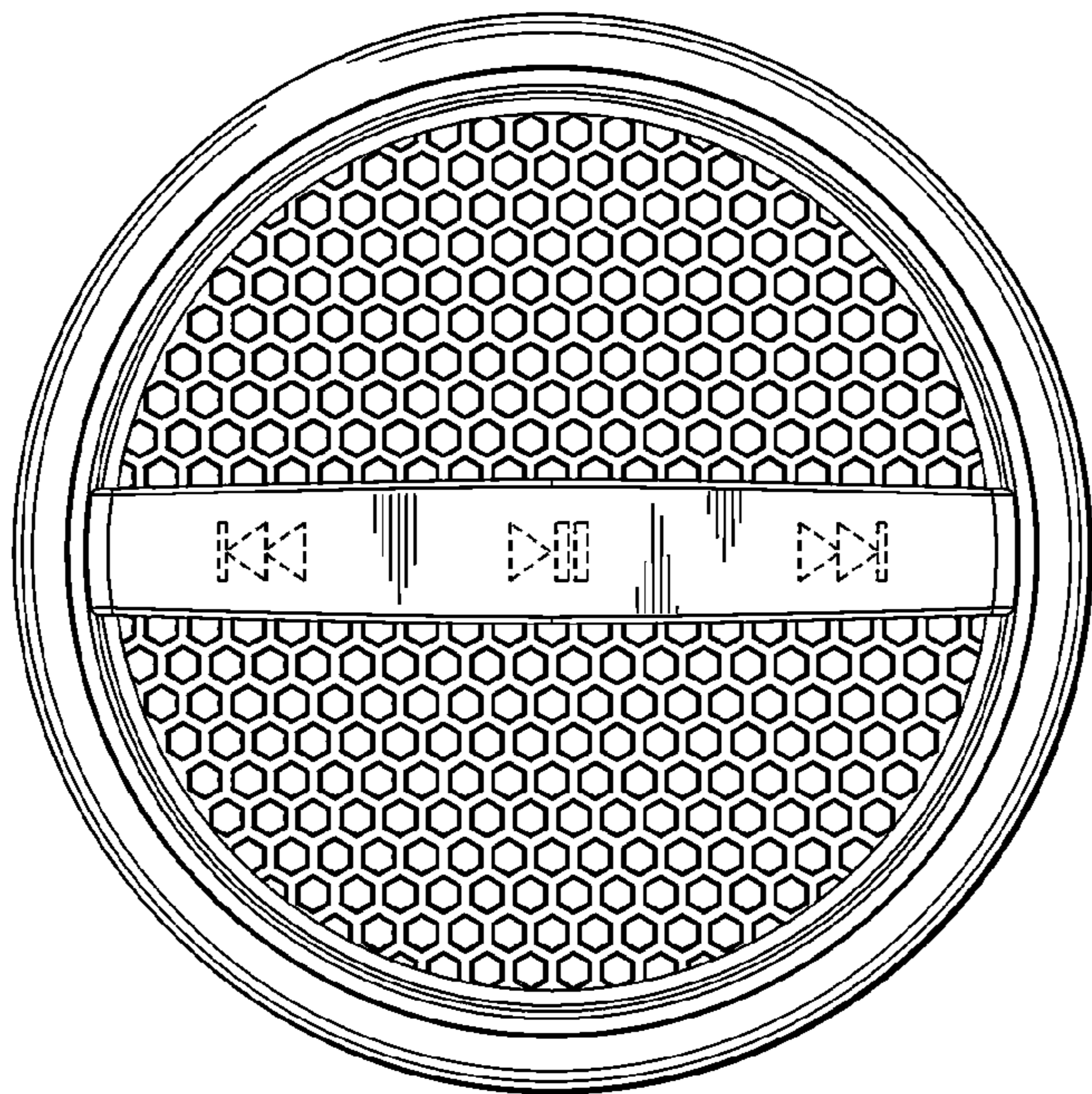


FIG. 6

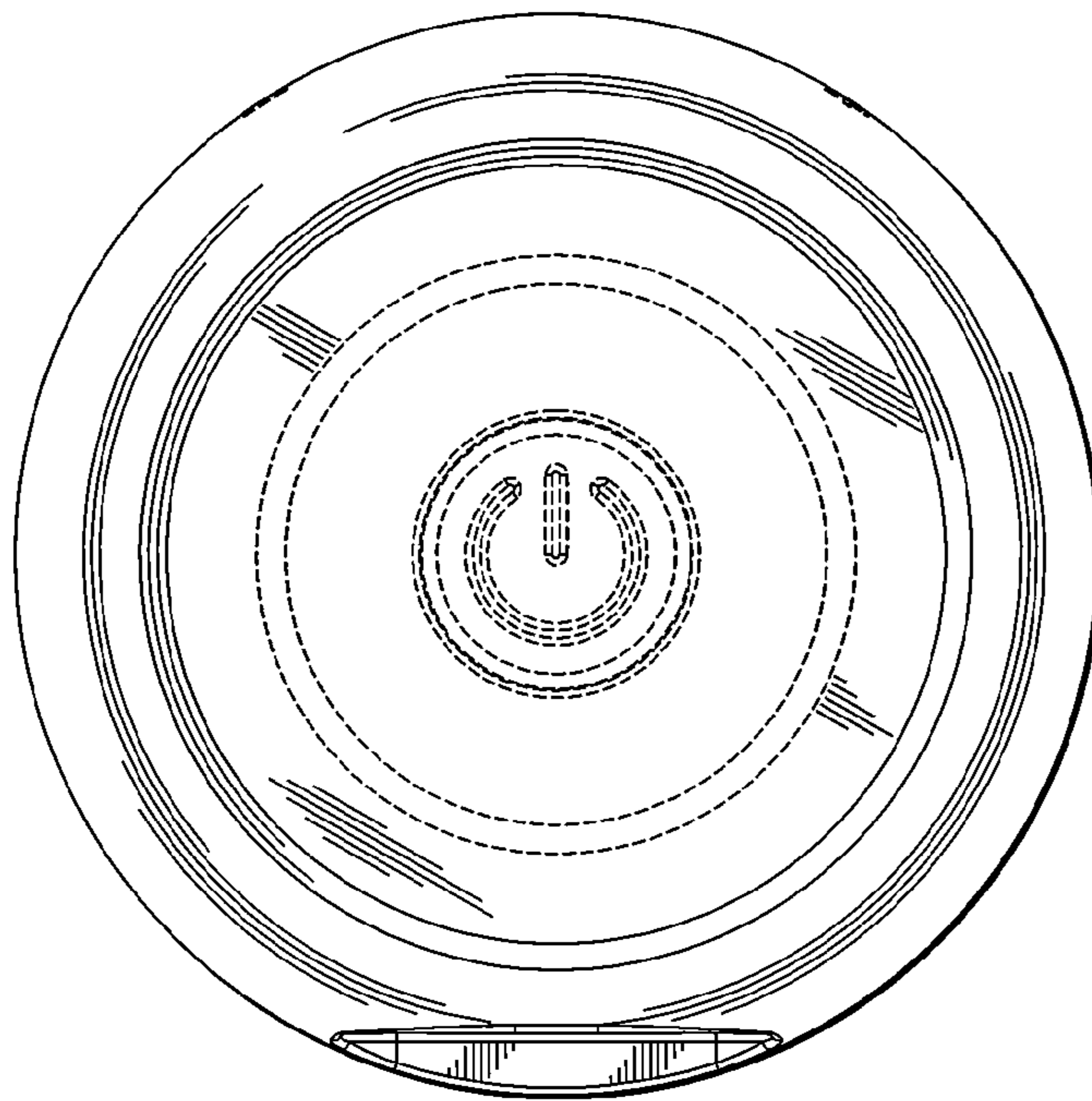


FIG. 7