



US00D729770S

(12) **United States Design Patent**  
**Yoo et al.**

(10) **Patent No.:** **US D729,770 S**  
(45) **Date of Patent:** **\*\* May 19, 2015**

(54) **SPEAKER**

D516,544 S *	3/2006	Motoishi .....	D14/215
D542,278 S *	5/2007	Yan .....	D14/215
D674,371 S *	1/2013	Cho et al. ....	D14/188
D711,856 S *	8/2014	Kim et al. ....	D14/221

(71) Applicant: **Samsung Electronics Co., Ltd.**,  
Suwon-si (KR)

(72) Inventors: **Jaewook Yoo**, Seoul (KR); **Bongkun Shin**, Seoul (KR); **Sung Jin Ahn**, Seoul (KR)

\* cited by examiner

*Primary Examiner* — Keli L Hill

(73) Assignee: **Samsung Electronics Co., Ltd.**,  
Suwon-si (KR)

(74) *Attorney, Agent, or Firm* — NSIP Law

(\*\*) Term: **14 Years**

(57) **CLAIM**

The ornamental design for a speaker, as shown and described.

(21) Appl. No.: **29/459,756**

(22) Filed: **Jul. 3, 2013**

**DESCRIPTION**

(30) **Foreign Application Priority Data**

Jan. 4, 2013 (KR) ..... 30-2013-0000689

(51) **LOC (10) Cl.** ..... **14-03**

(52) **U.S. Cl.**  
USPC ..... **D14/214; D14/215**

(58) **Field of Classification Search**  
USPC ..... D14/167, 168, 170–172, 188, 194–196,  
D14/204, 207, 209.1, 210–216, 219, 221,  
D14/222, 224, 496; 181/143, 144, 147, 148,  
181/150, 153, 157, 198, 199; 381/300–303,  
381/306, 332, 333, 336, 345, 361–364,  
381/386–388; 369/6–12

See application file for complete search history.

FIG. 1 is a perspective view of a speaker, showing our new design;

FIG. 2 is a front view thereof;

FIG. 3 is a rear view thereof;

FIG. 4 is a left-side view thereof;

FIG. 5 is a right-side view thereof;

FIG. 6 is a top plan view thereof;

FIG. 7 is a bottom plan view thereof; and,

FIG. 8 is an enlarged view of portion Y as shown in FIG. 2.

The broken lines shown are included for the purpose of illustrating portions of the speaker that form no part of the claim.

The shade lines in the figures show contour and not surface ornamentation.

(56) **References Cited**

**U.S. PATENT DOCUMENTS**

D265,823 S *	8/1982	Hartwein .....	D14/214
D436,946 S *	1/2001	Lin .....	D14/215

**1 Claim, 8 Drawing Sheets**

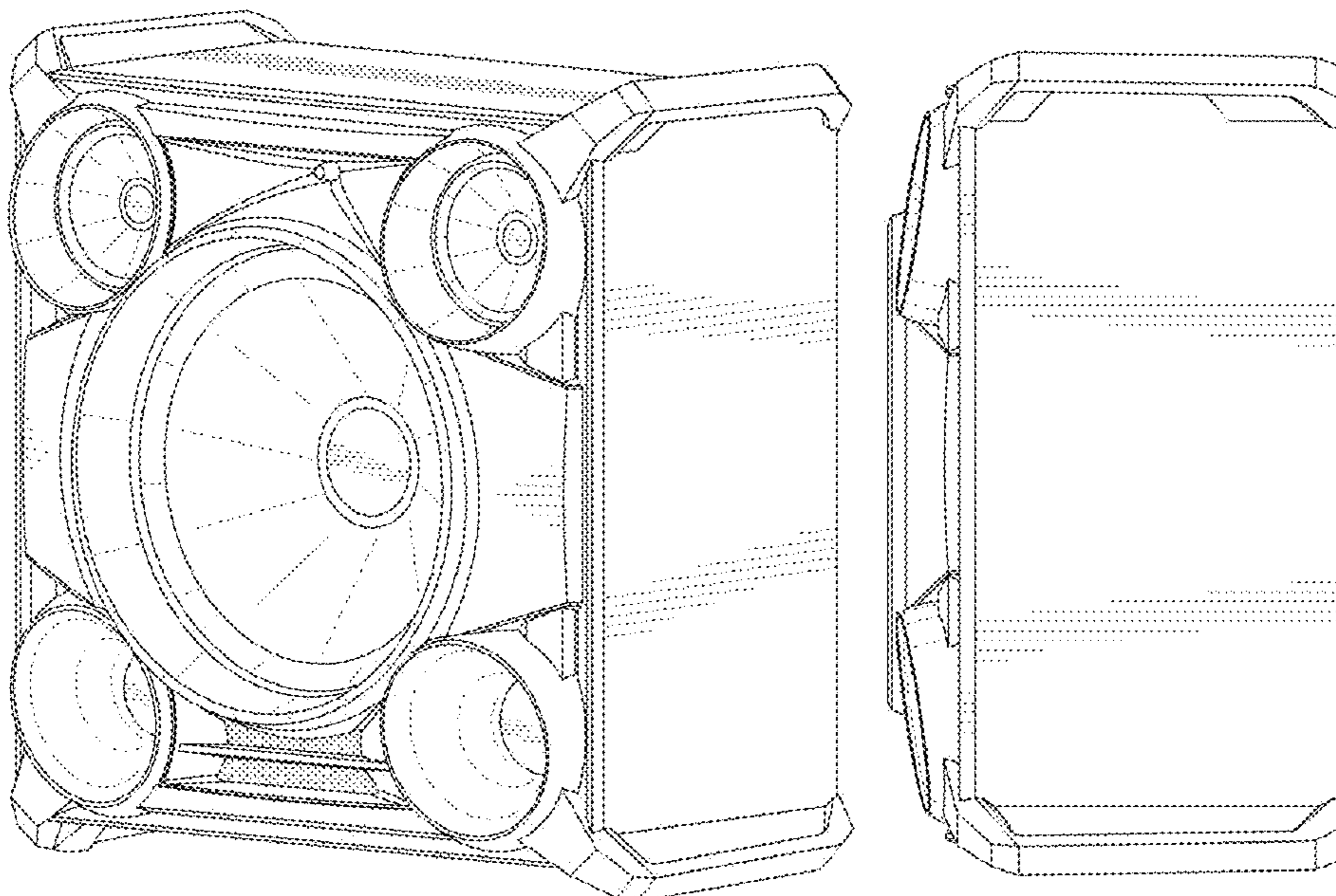


FIG. 1

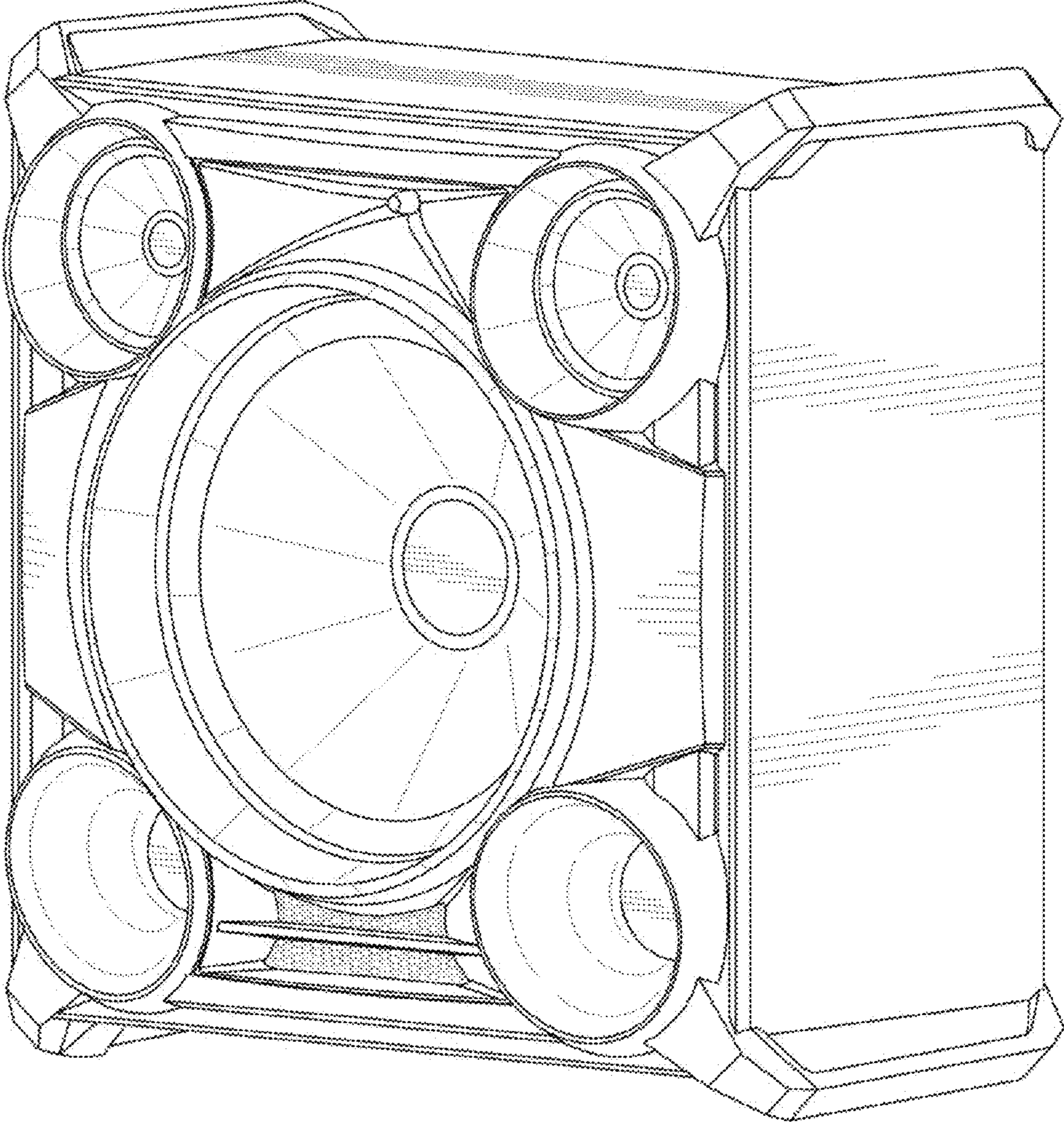


FIG. 2

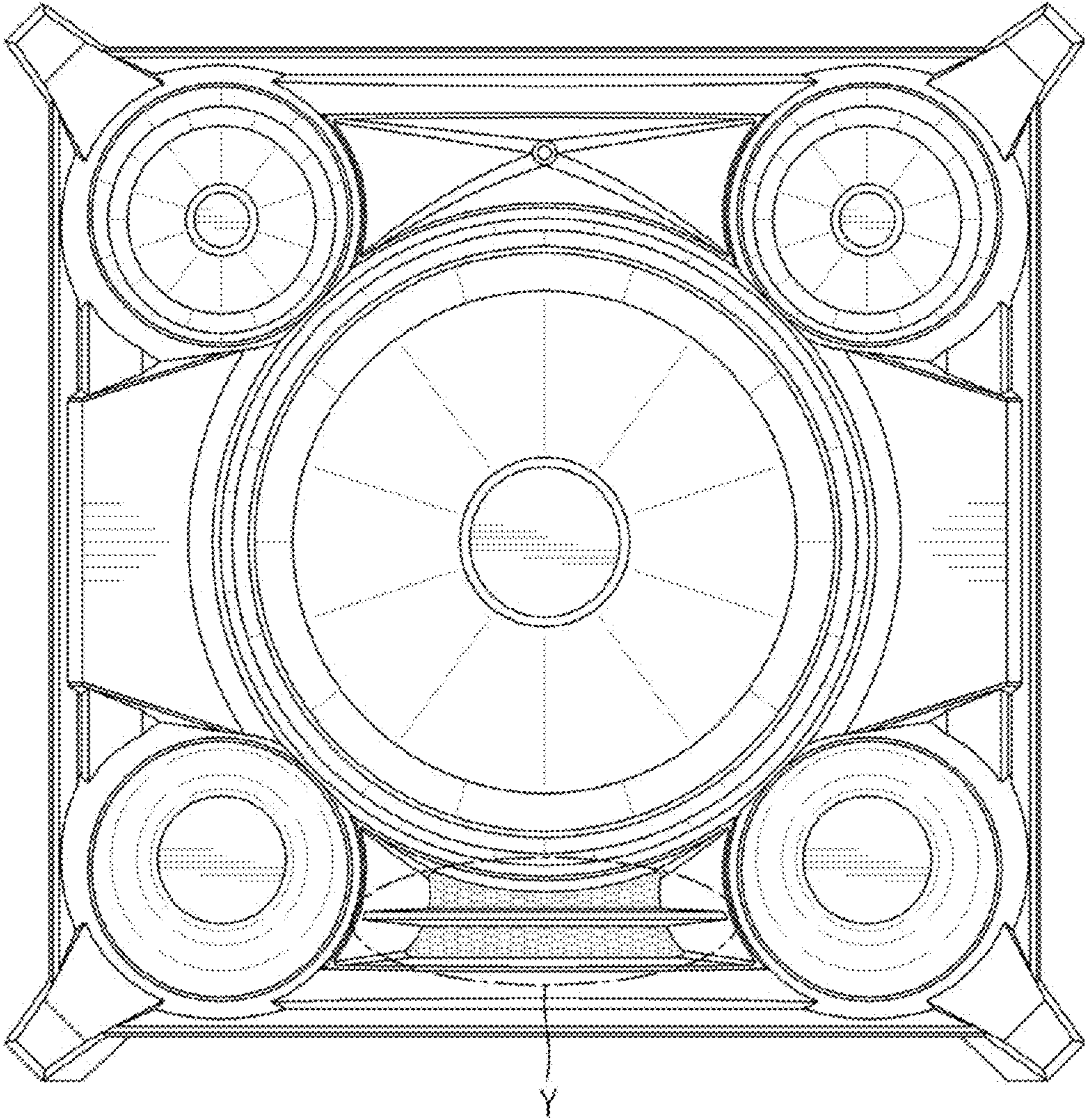


FIG. 3

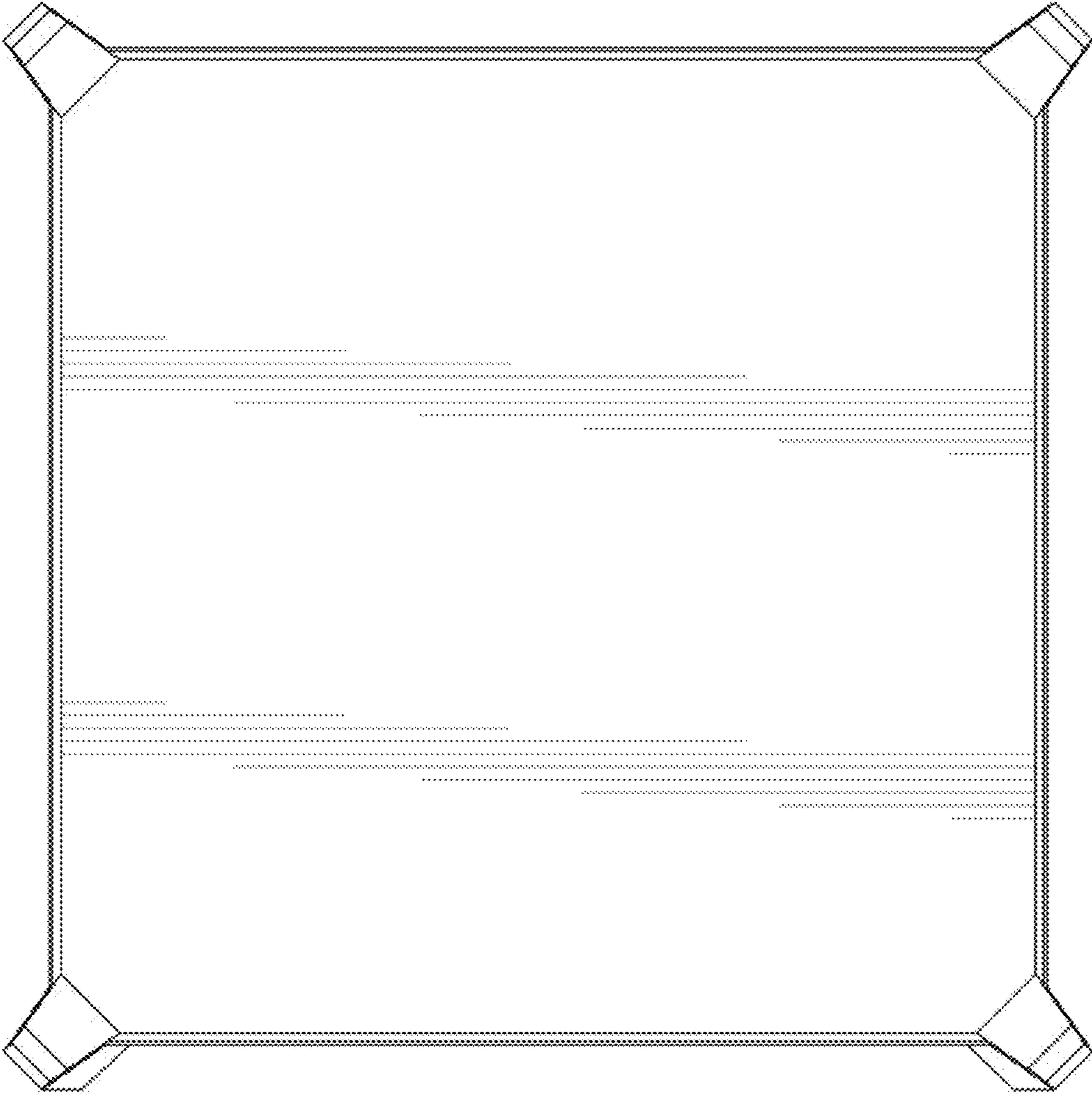


FIG. 4

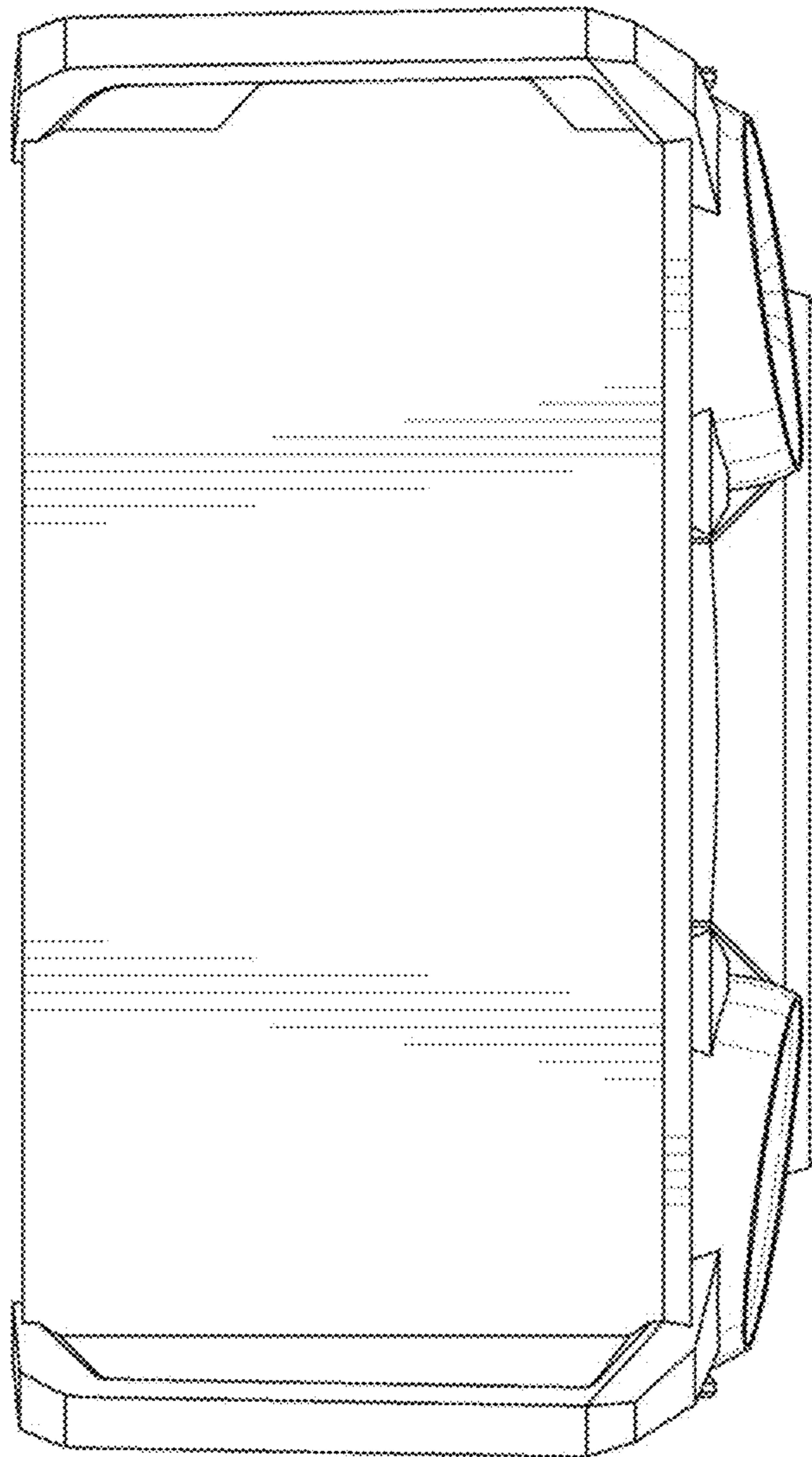


FIG. 5

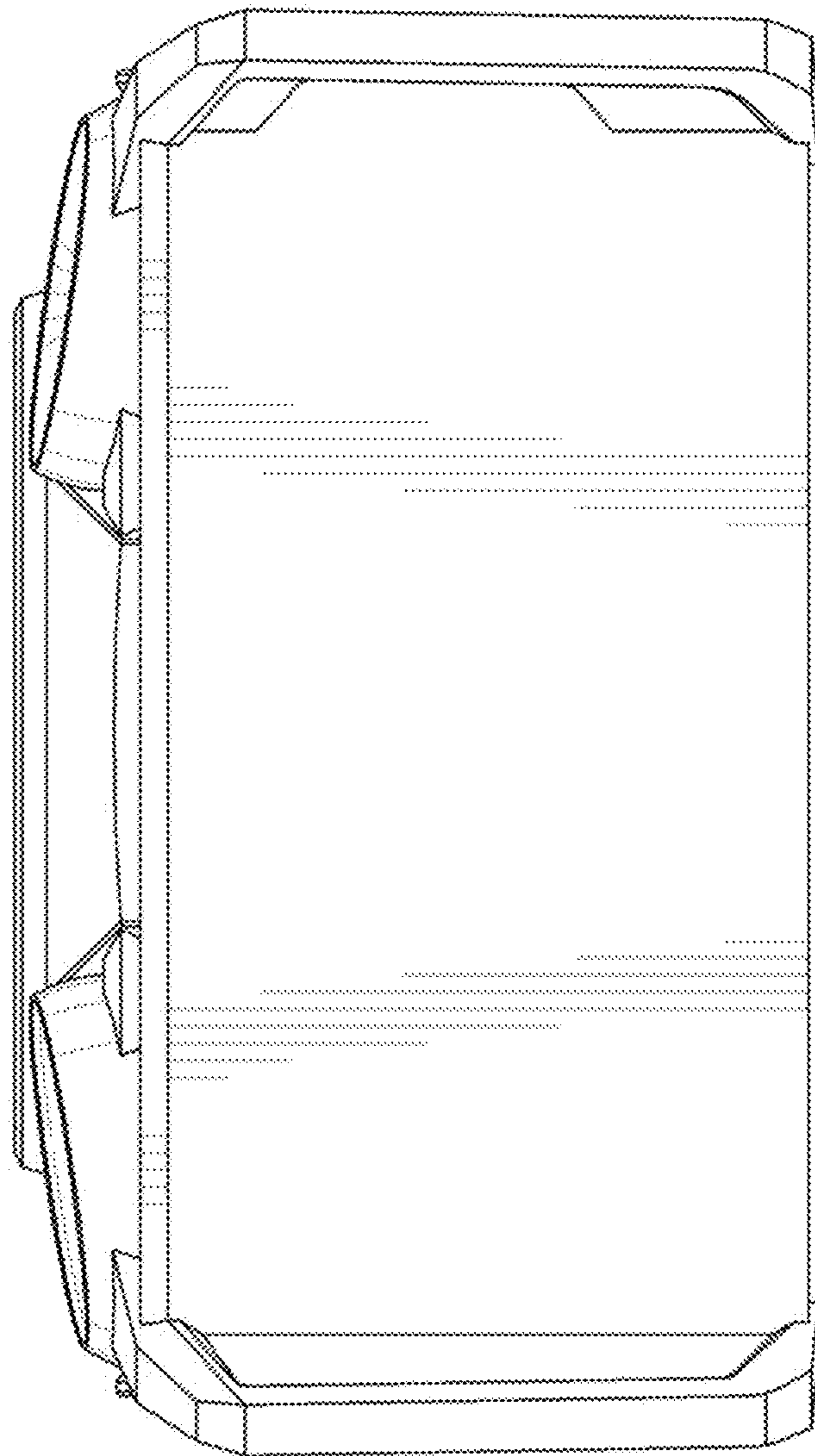


FIG. 6

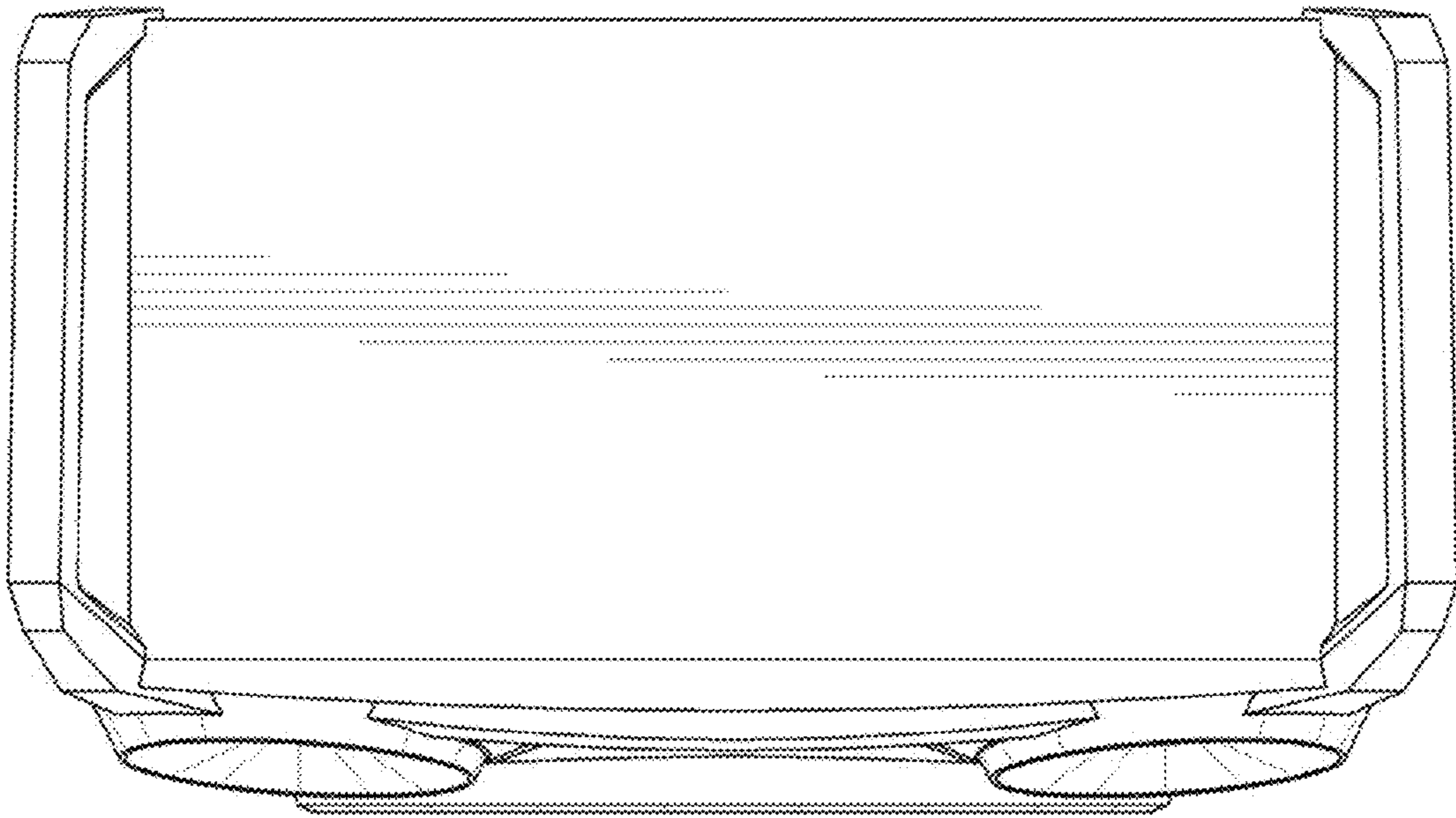


FIG. 7

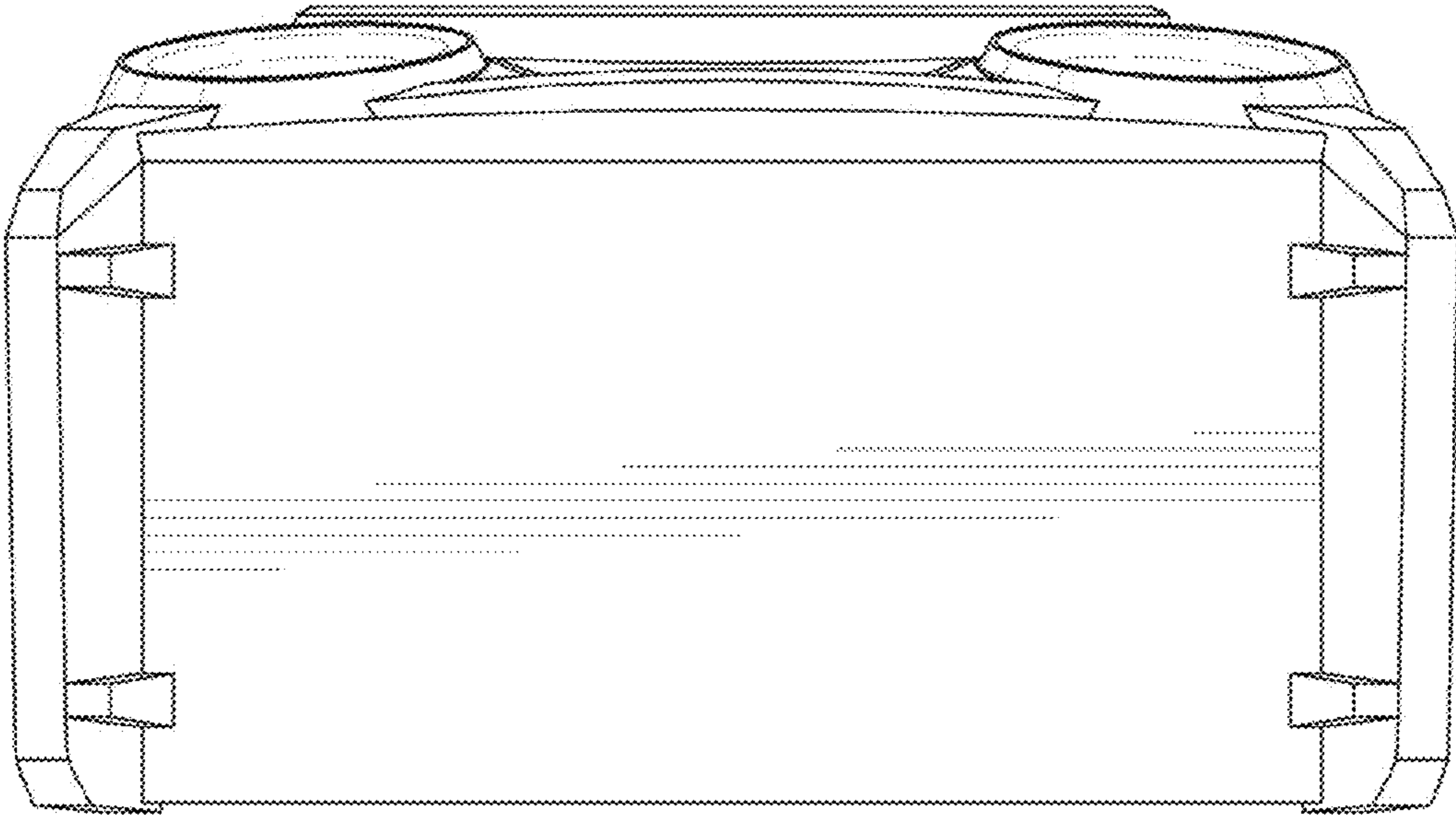




FIG. 8

