



US00D729769S

(12) **United States Design Patent**  
**Yoo et al.**

(10) **Patent No.:** **US D729,769 S**  
(45) **Date of Patent:** **\*\* May 19, 2015**

- (54) **SPEAKER**
- (71) Applicant: **Samsung Electronics Co., Ltd.**,  
Suwon-si (KR)
- (72) Inventors: **Jaewook Yoo**, Seoul (KR); **Bongkun Shin**, Seoul (KR); **Sung Jin Ahn**, Seoul (KR)
- (73) Assignee: **Samsung Electronics Co., Ltd.**,  
Suwon-si (KR)
- (\*\*) Term: **14 Years**
- (21) Appl. No.: **29/459,650**
- (22) Filed: **Jul. 2, 2013**

- (30) **Foreign Application Priority Data**  
Jan. 4, 2013 (KR) ..... 30-2013-0000690
- (51) **LOC (10) Cl.** ..... **14-03**
- (52) **U.S. Cl.**  
USPC ..... **D14/214**
- (58) **Field of Classification Search**  
USPC ..... D14/167, 168, 170–172, 188, 194–196,  
D14/204, 207, 209.1, 210–216, 219, 221,  
D14/222, 224, 496; 181/143, 144, 147, 148,  
181/150, 153, 157, 198, 199; 381/300–303,  
381/306, 332, 333, 336, 345, 361–364,  
381/386–388; 369/6–12  
See application file for complete search history.

- (56) **References Cited**  
**U.S. PATENT DOCUMENTS**  
D265,823 S \* 8/1982 Hartwein ..... D14/214  
D321,196 S \* 10/1991 Yamamoto ..... D14/214

- D352,507 S \* 11/1994 Price ..... D14/215
- D436,946 S \* 1/2001 Lin ..... D14/215
- D502,460 S \* 3/2005 Ueda et al. .... D14/168
- D515,552 S \* 2/2006 Esslinger et al. .... D14/168
- D516,544 S \* 3/2006 Motoishi ..... D14/215
- D518,813 S \* 4/2006 Hirano ..... D14/168
- D542,278 S \* 5/2007 Yan ..... D14/215
- D563,390 S \* 3/2008 Vafiadis et al. .... D14/215
- D705,194 S \* 5/2014 Woo et al. .... D14/221

\* cited by examiner

*Primary Examiner* — Keli L Hill  
(74) *Attorney, Agent, or Firm* — NSIP Law

(57) **CLAIM**  
The ornamental design for a speaker, as shown and described.

**DESCRIPTION**

FIG. 1 is a perspective view of a speaker, showing our new design;  
 FIG. 2 is a front view thereof;  
 FIG. 3 is a rear view thereof;  
 FIG. 4 is a left-side view thereof;  
 FIG. 5 is a right-side view thereof;  
 FIG. 6 is a top plan view thereof; and,  
 FIG. 7 is a bottom plan view thereof.

The broken lines are for environmental purposes only and form no part of the claimed design.  
 The shade lines in the figures show contour and not surface ornamentation.

The inventors contemplate that other embodiments of their design may include any part, portion, element, or combination of elements of the claimed design.  
 References to “side”, “top”, and “bottom” in the figure descriptions are not meant to require certain in-use orientation; a speaker according to the claimed design may be used in any orientation.

**1 Claim, 7 Drawing Sheets**

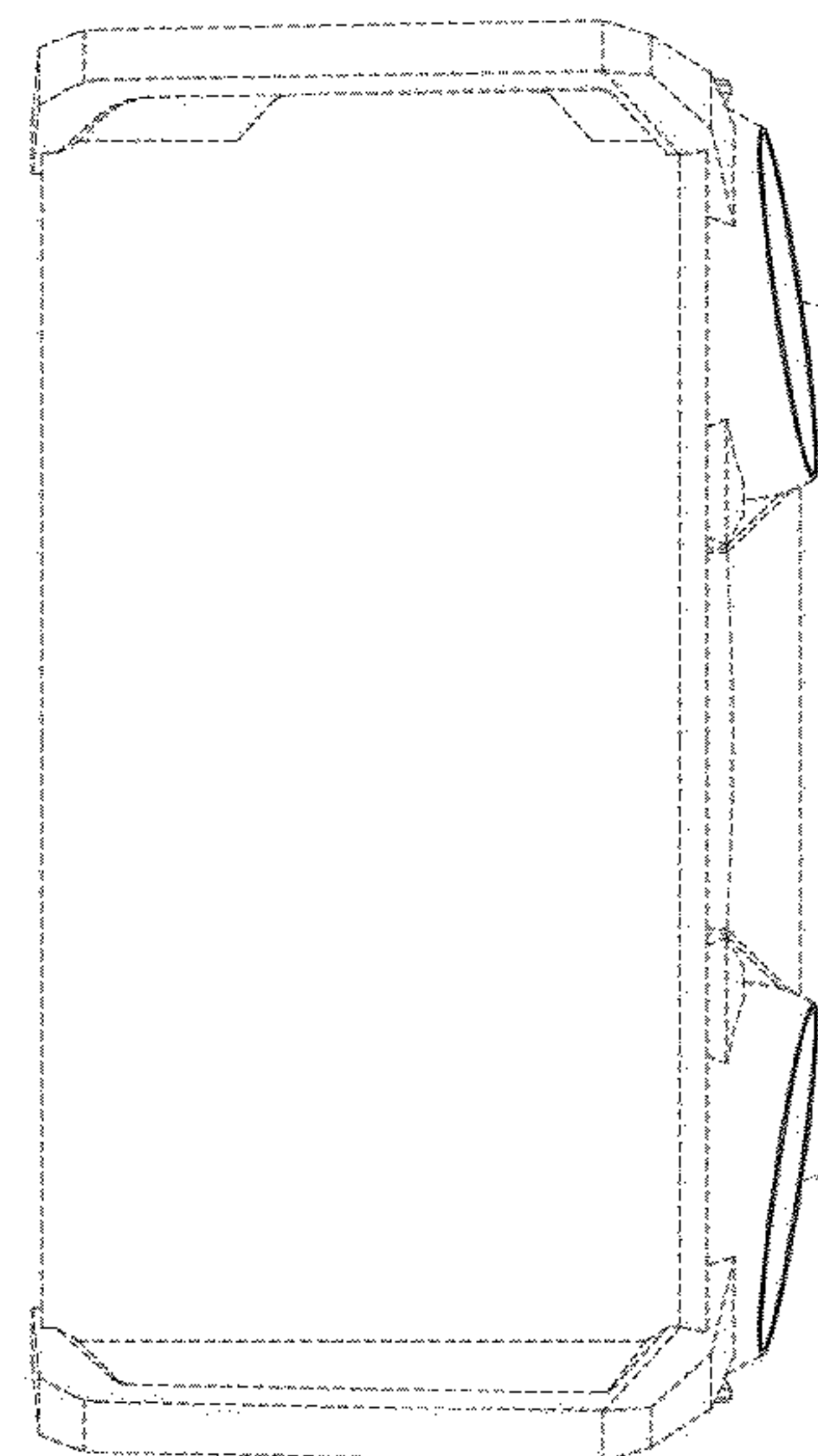
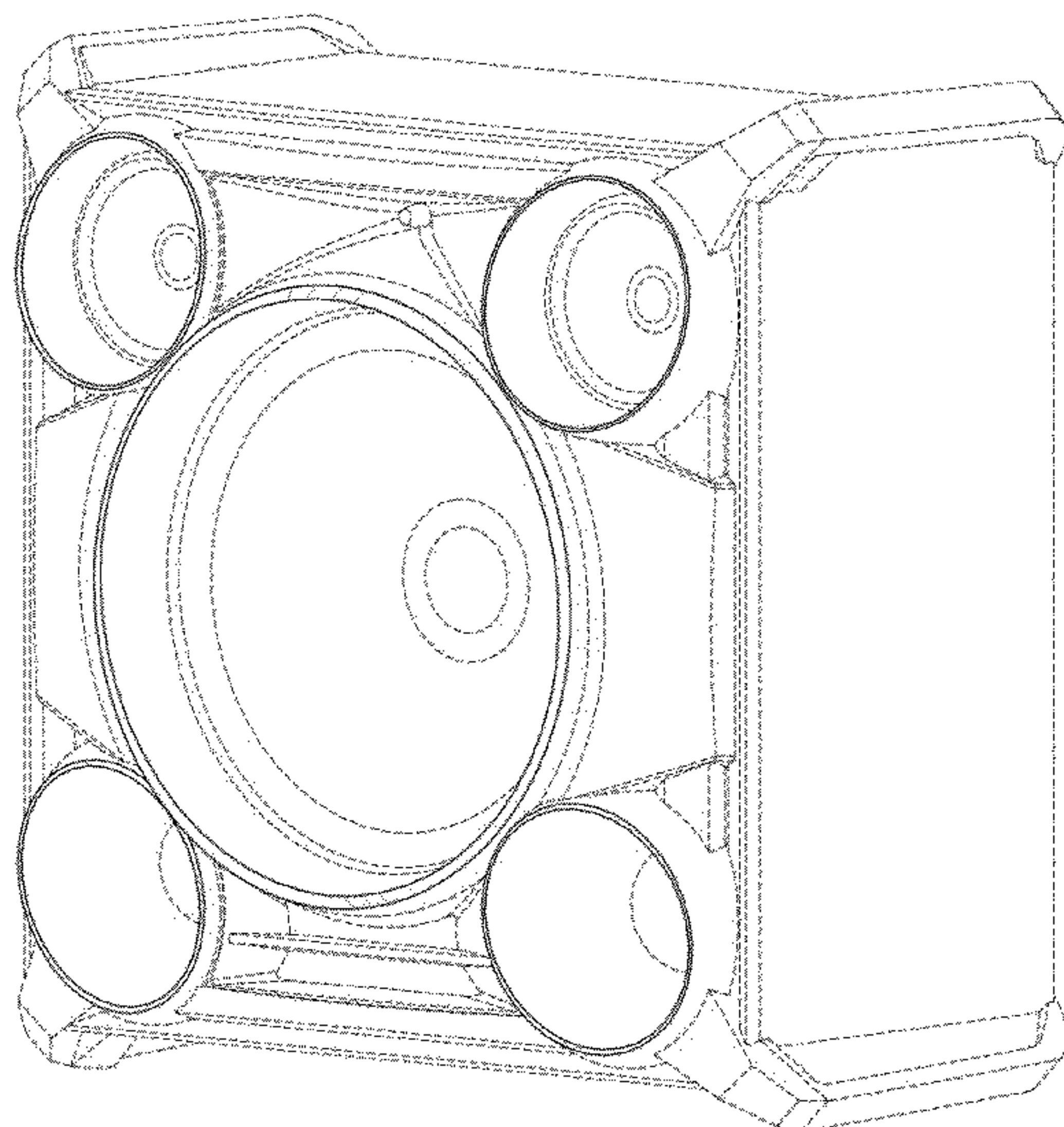


FIG. 1

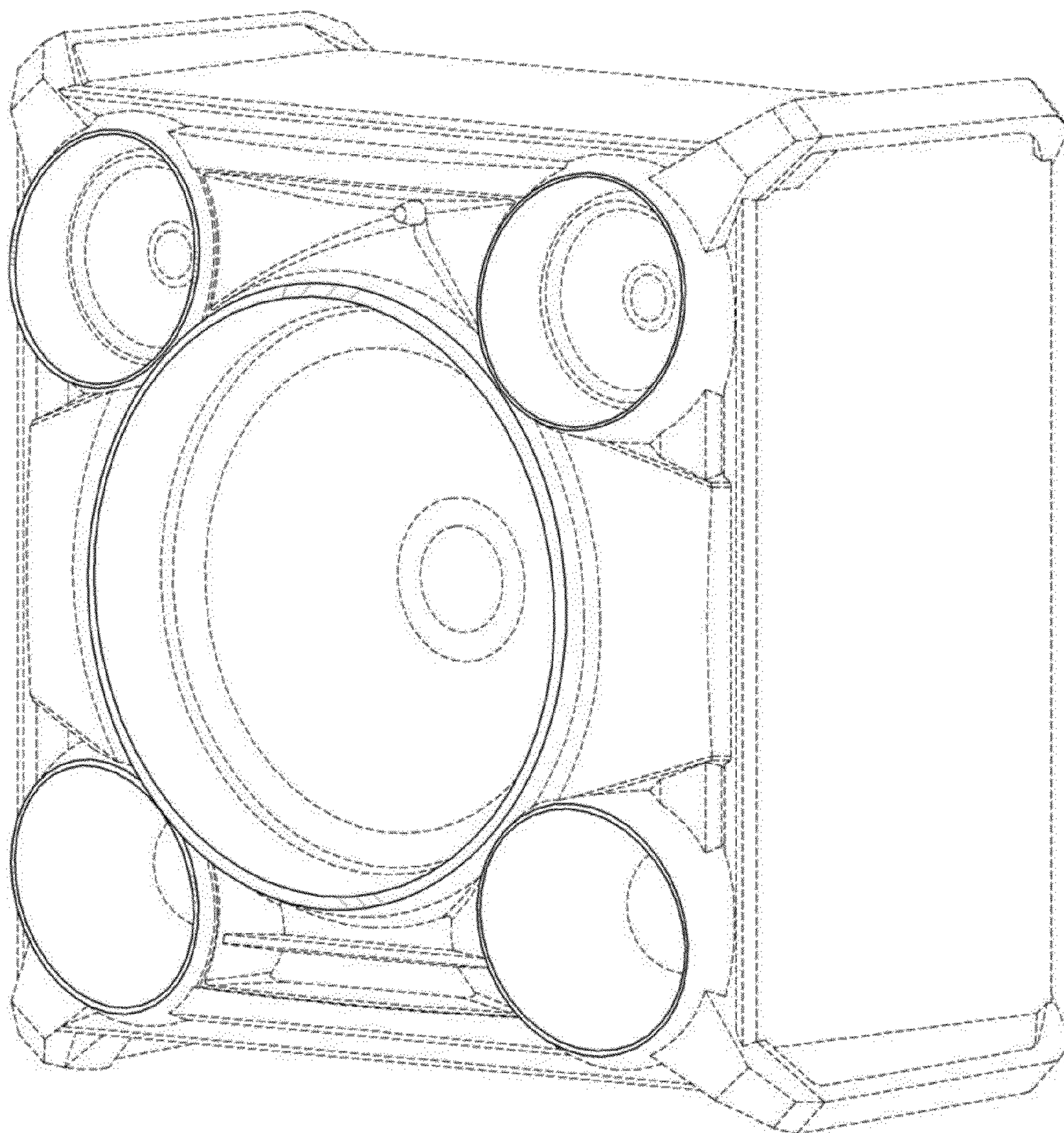




FIG. 2

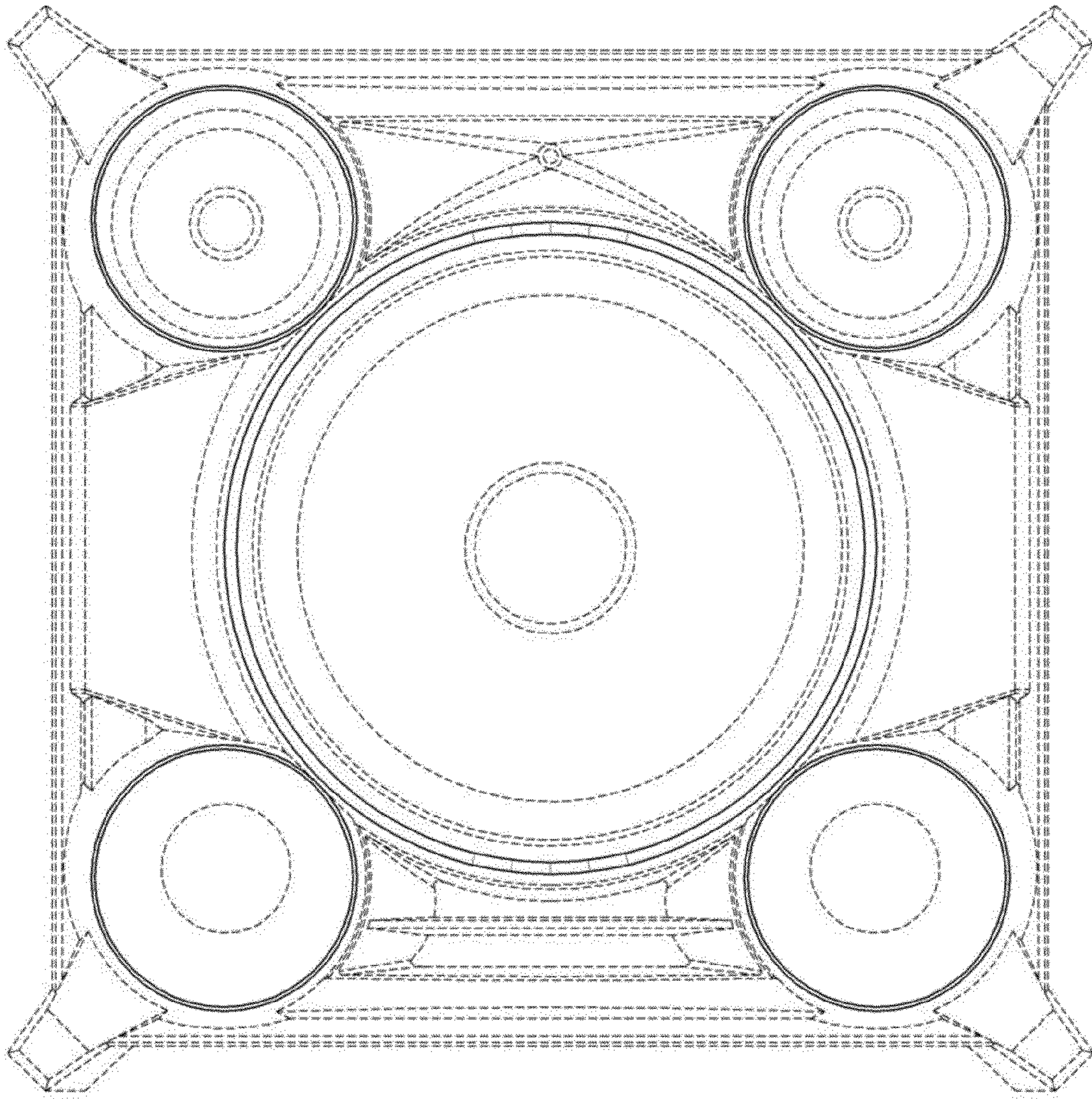


FIG. 3

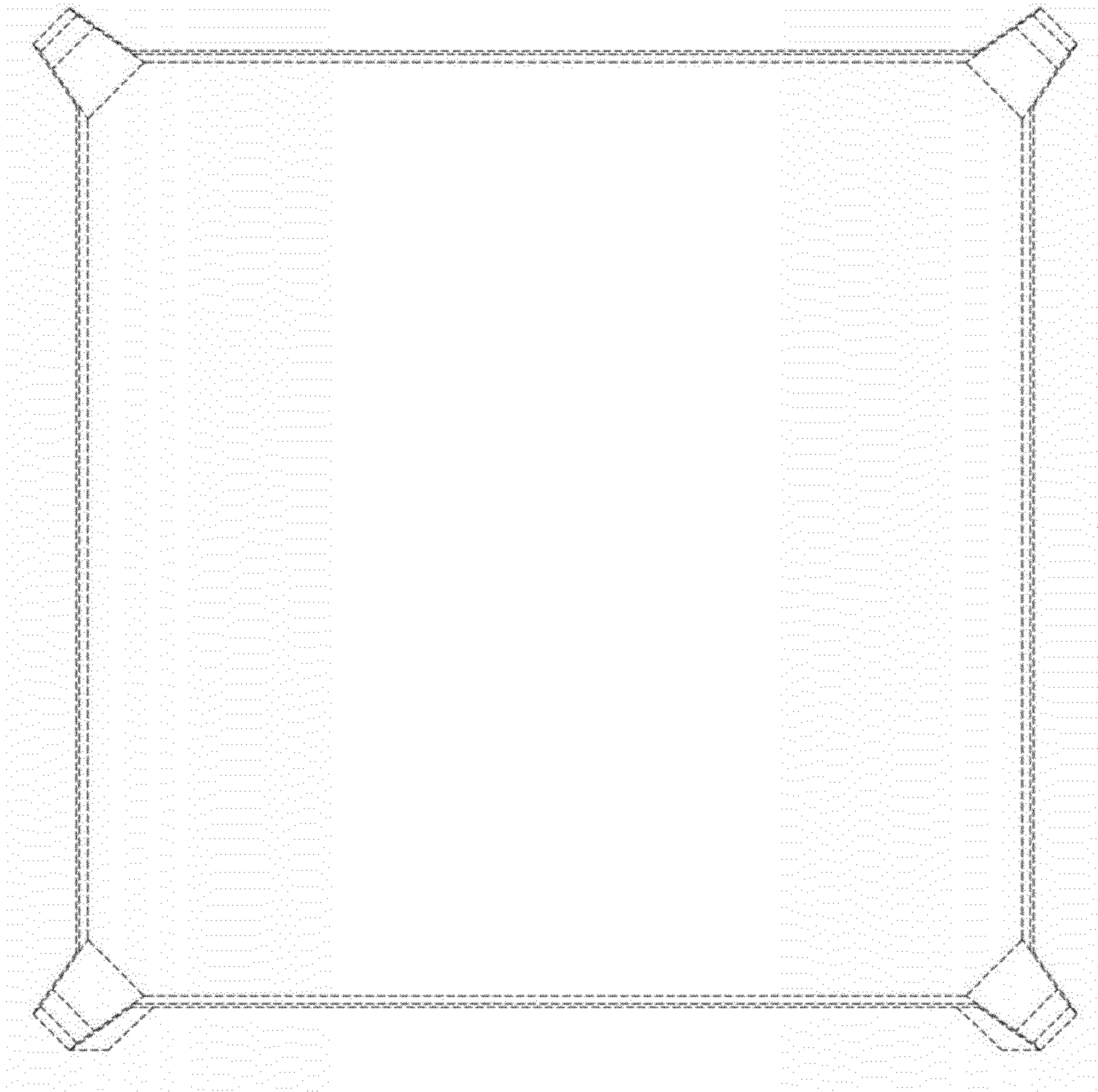




FIG. 4

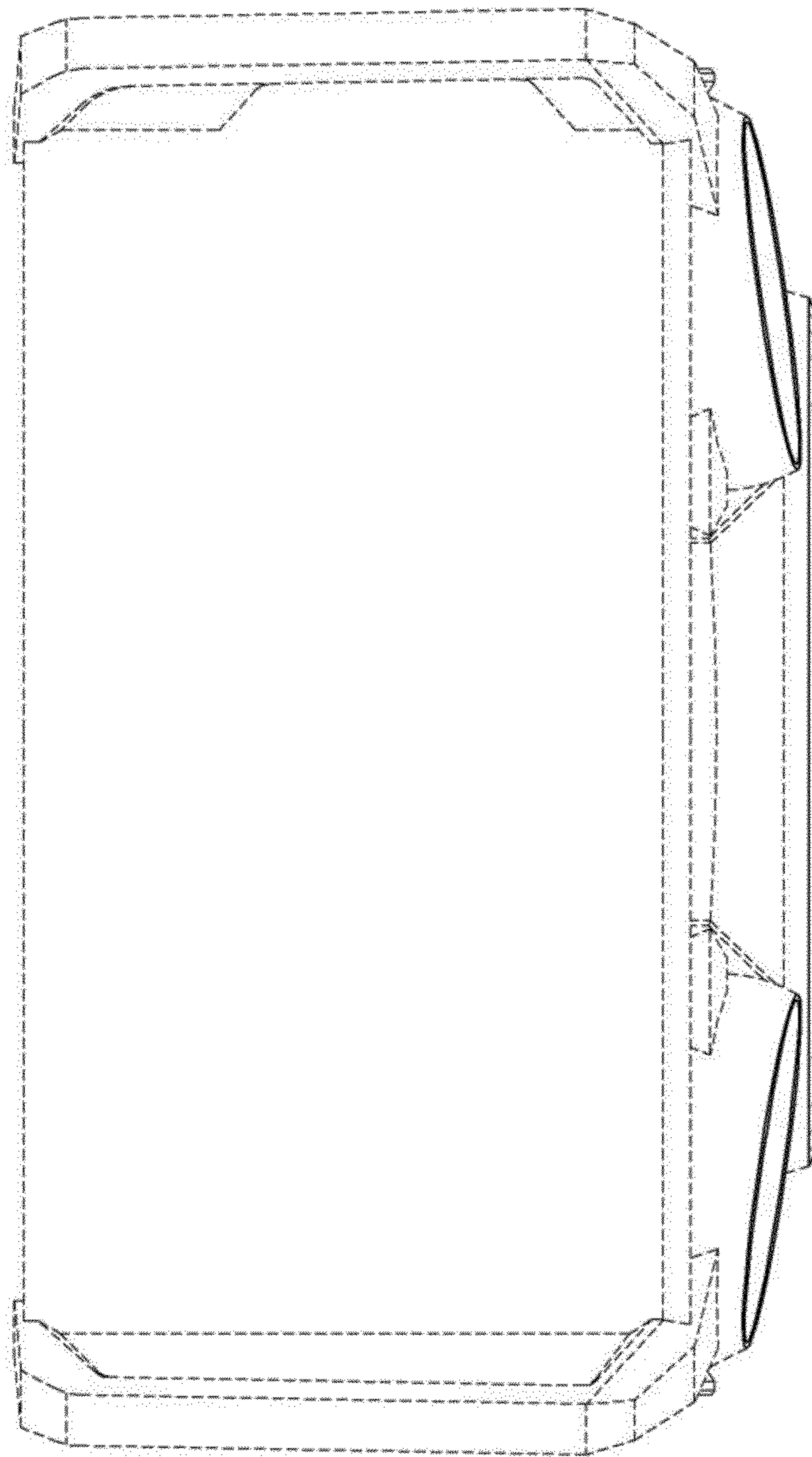


FIG. 5

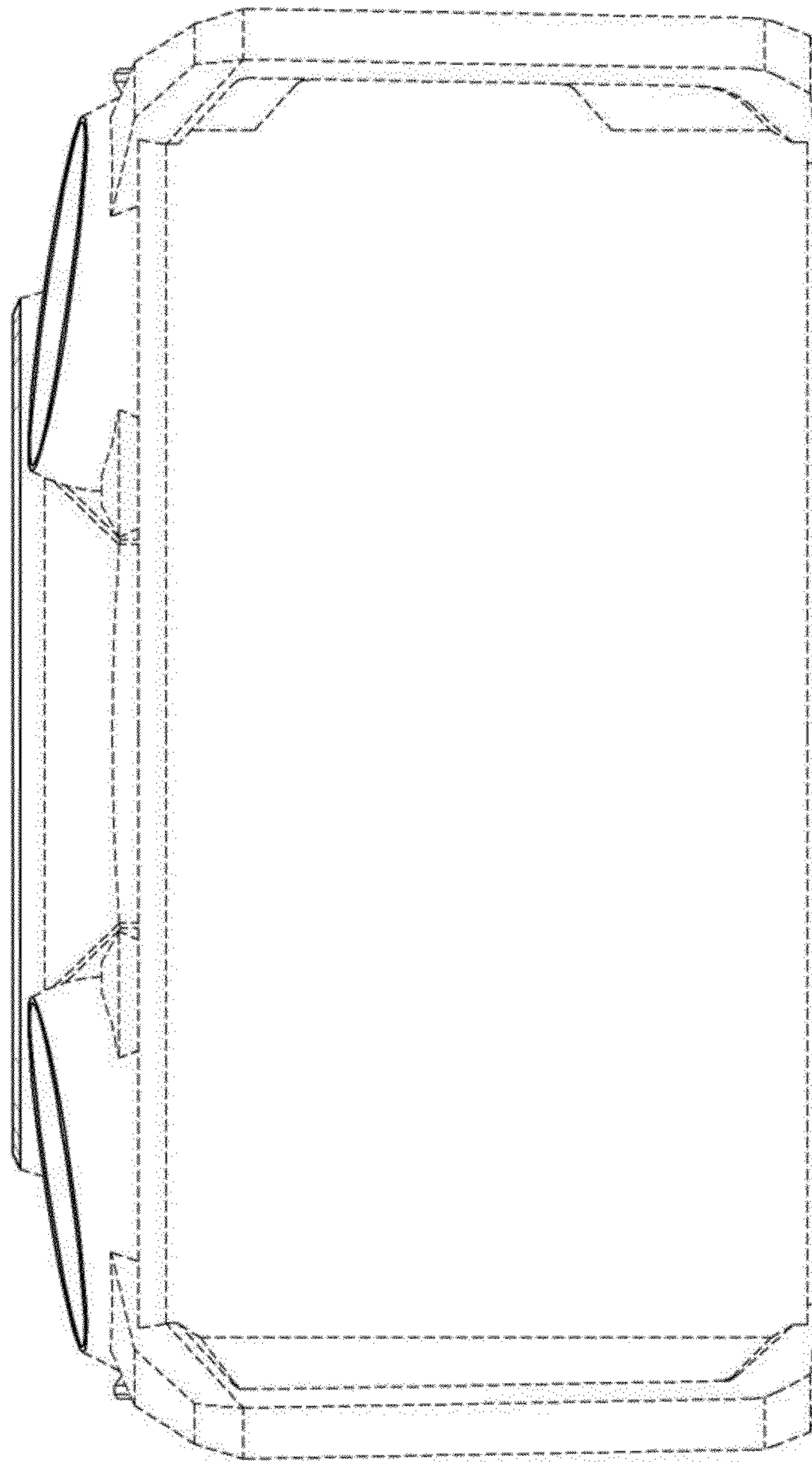


FIG. 6

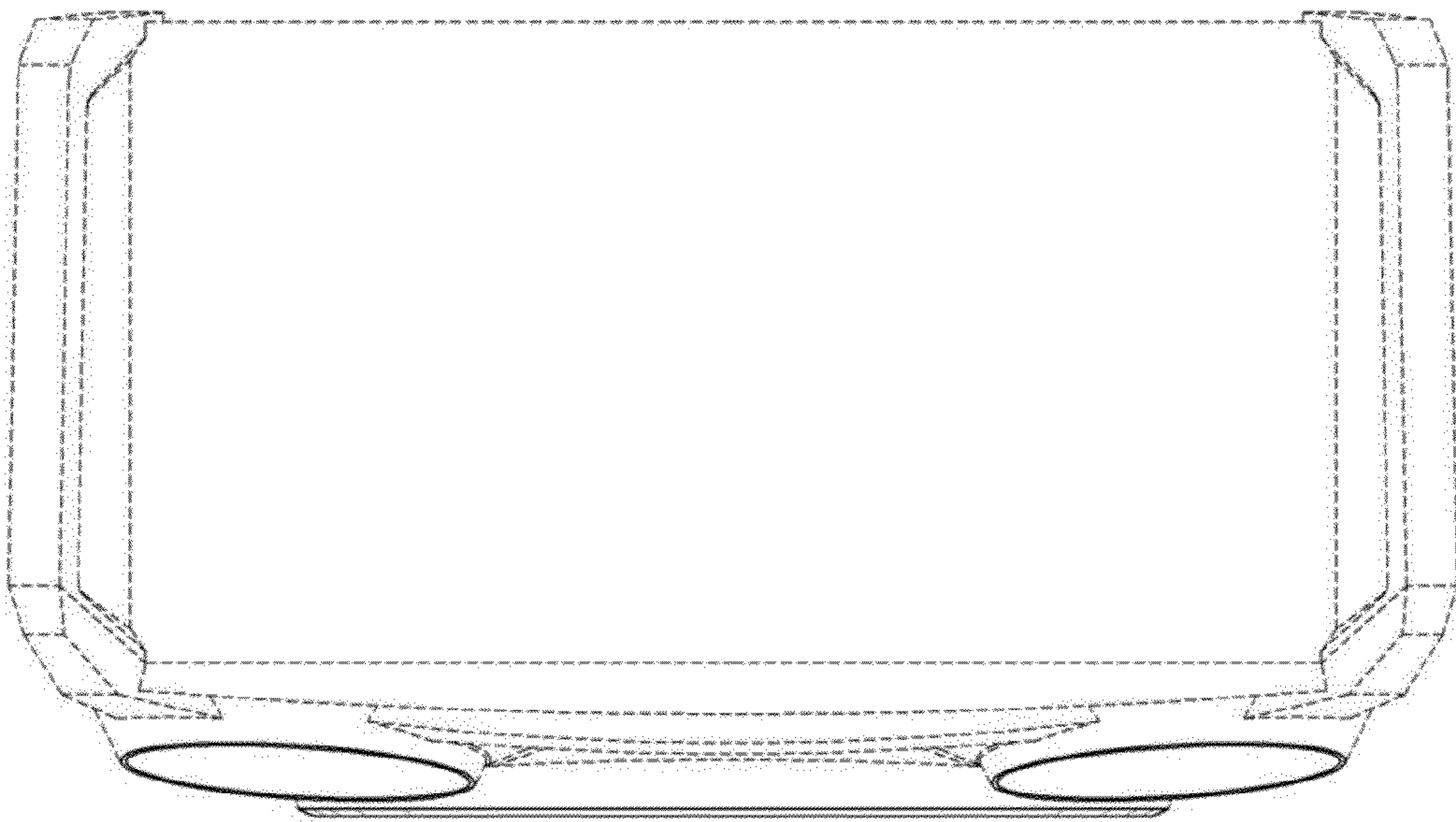


FIG. 7

