

US00D729768S

(12) **United States Design Patent**
Park et al.

(10) **Patent No.:** **US D729,768 S**

(45) **Date of Patent:** **** May 19, 2015**

(54) **HOME THEATER SPEAKER**

(56) **References Cited**

(71) Applicant: **LG ELECTRONICS INC.**, Seoul (KR)

U.S. PATENT DOCUMENTS

(72) Inventors: **Soo Young Park**, Seoul (KR); **Woo Suk Park**, Seoul (KR)

D547,748 S * 7/2007 Tsuge D14/211
D660,285 S * 5/2012 Lee et al. D14/214
D685,348 S * 7/2013 Szymanski et al. D14/214

(73) Assignee: **LG Electronics Inc.**, Seoul (KR)

* cited by examiner

(**) Term: **14 Years**

Primary Examiner — Keli L Hill

(21) Appl. No.: **29/454,380**

(74) *Attorney, Agent, or Firm* — Morgan, Lewis & Bockius LLP

(22) Filed: **May 9, 2013**

(57) **CLAIM**

We claim the ornamental design for a home theater speaker, as shown and described.

(30) **Foreign Application Priority Data**

DESCRIPTION

Nov. 9, 2012 (KR) 30-2012-0053693

(51) **LOC (10) Cl.** **14-03**

(52) **U.S. Cl.**
USPC **D14/214**

(58) **Field of Classification Search**
USPC D14/167, 168, 170–172, 188, 194–196,
D14/204, 207, 209.1, 210–216, 219, 221,
D14/222, 224, 496; 181/143, 144, 147, 148,
181/150, 153, 157, 198, 199; 381/300–303,
381/306, 332, 333, 336, 345, 361–364,
381/386–388; 369/6–12

FIG. 1 is a perspective view of a home theater speaker showing the new design;

FIG. 2 is a front elevation view thereof;

FIG. 3 is a rear elevation view thereof;

FIG. 4 is a left-side elevation view thereof;

FIG. 5 is a right-side elevation view thereof;

FIG. 6 is a top plan view thereof;

FIG. 7 is a bottom plan view thereof; and,

FIG. 8 is a front elevation view covered with a speaker net.

The broken lines shown in the drawings represent unclaimed portions of the home theater speaker and form no part of the claimed design.

See application file for complete search history.

1 Claim, 5 Drawing Sheets

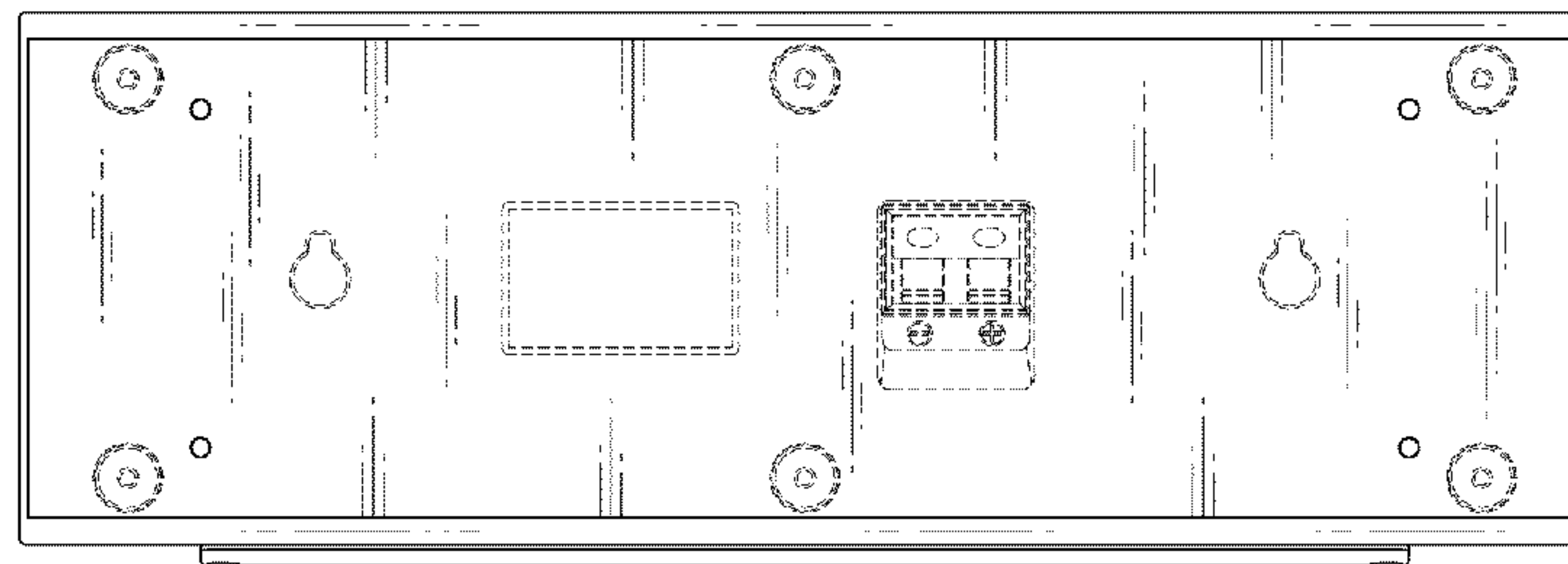
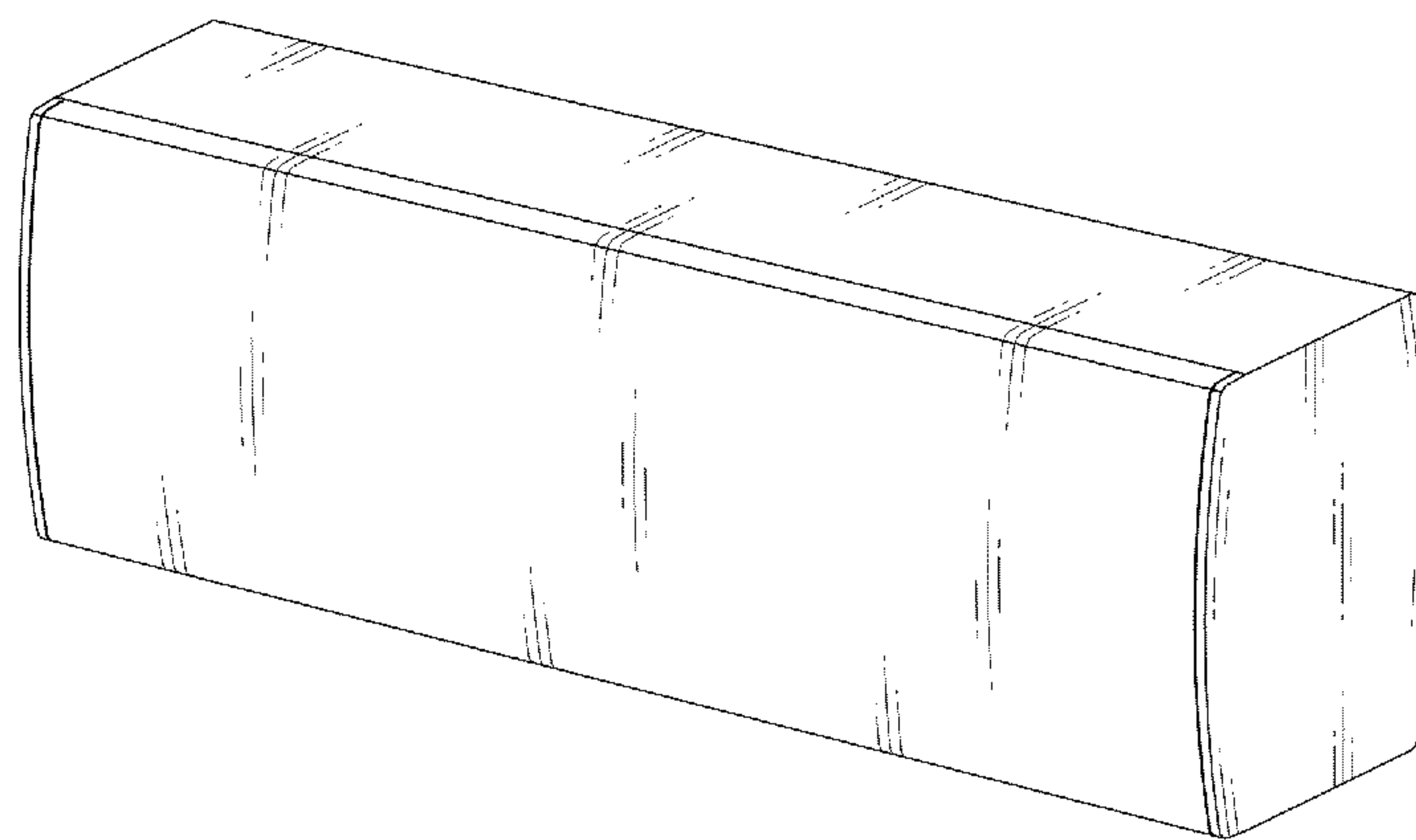


FIG. 1

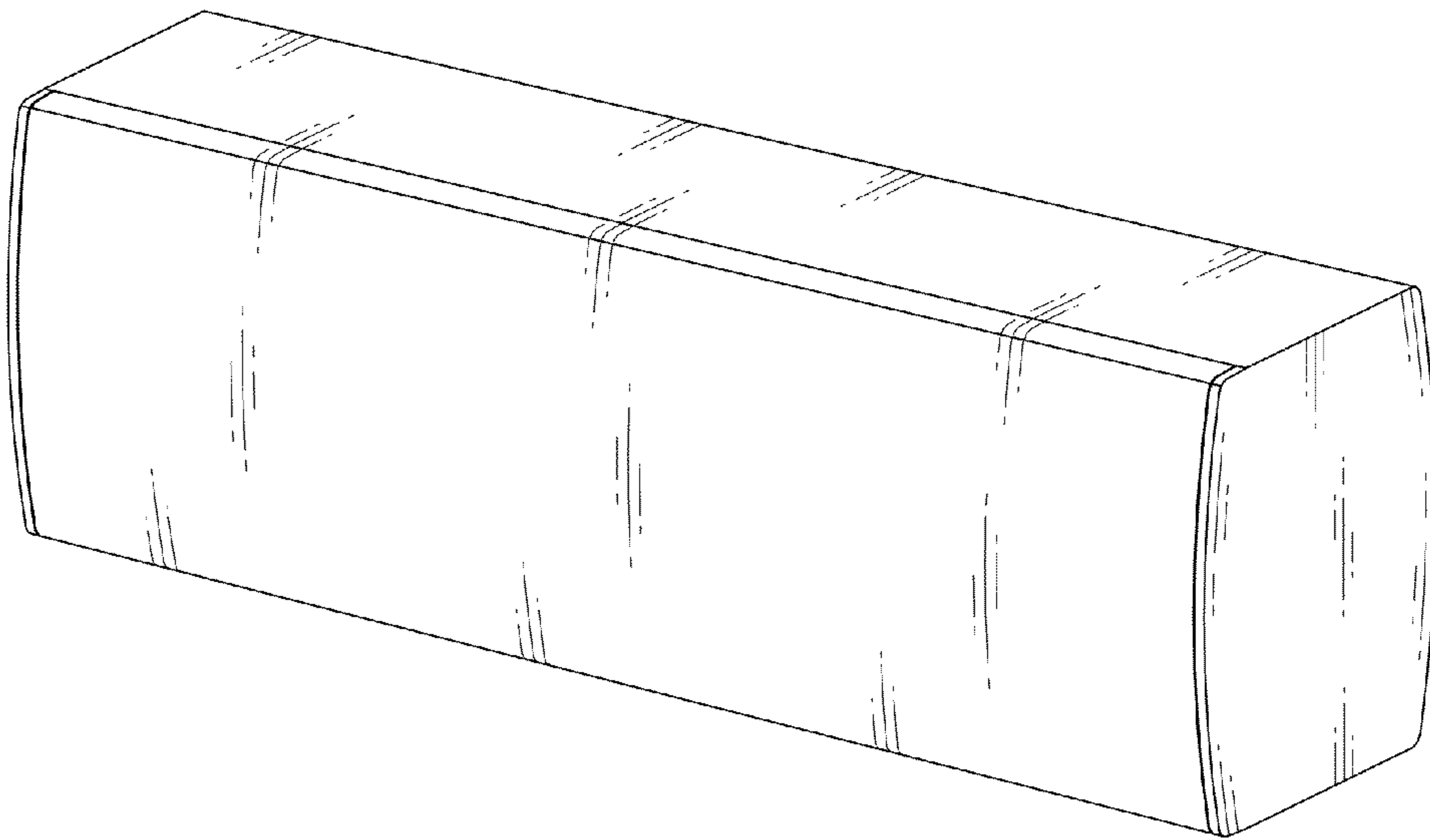


FIG.2

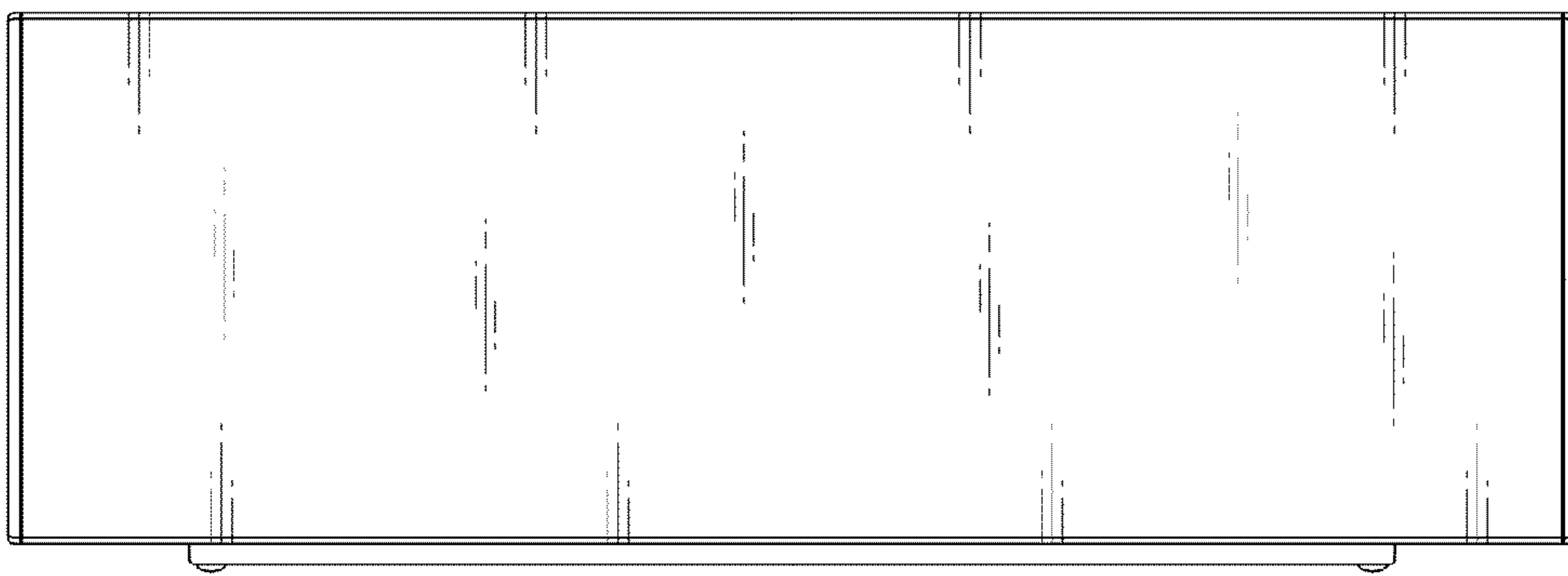


FIG.3

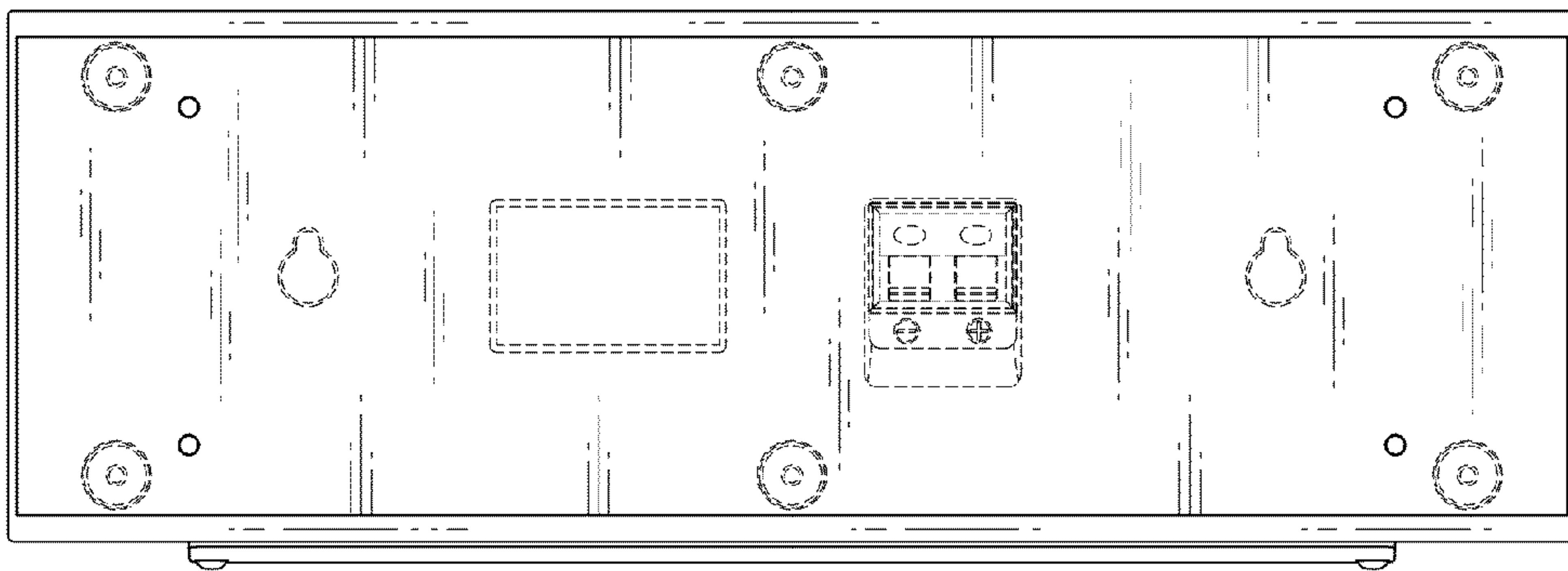


FIG. 4

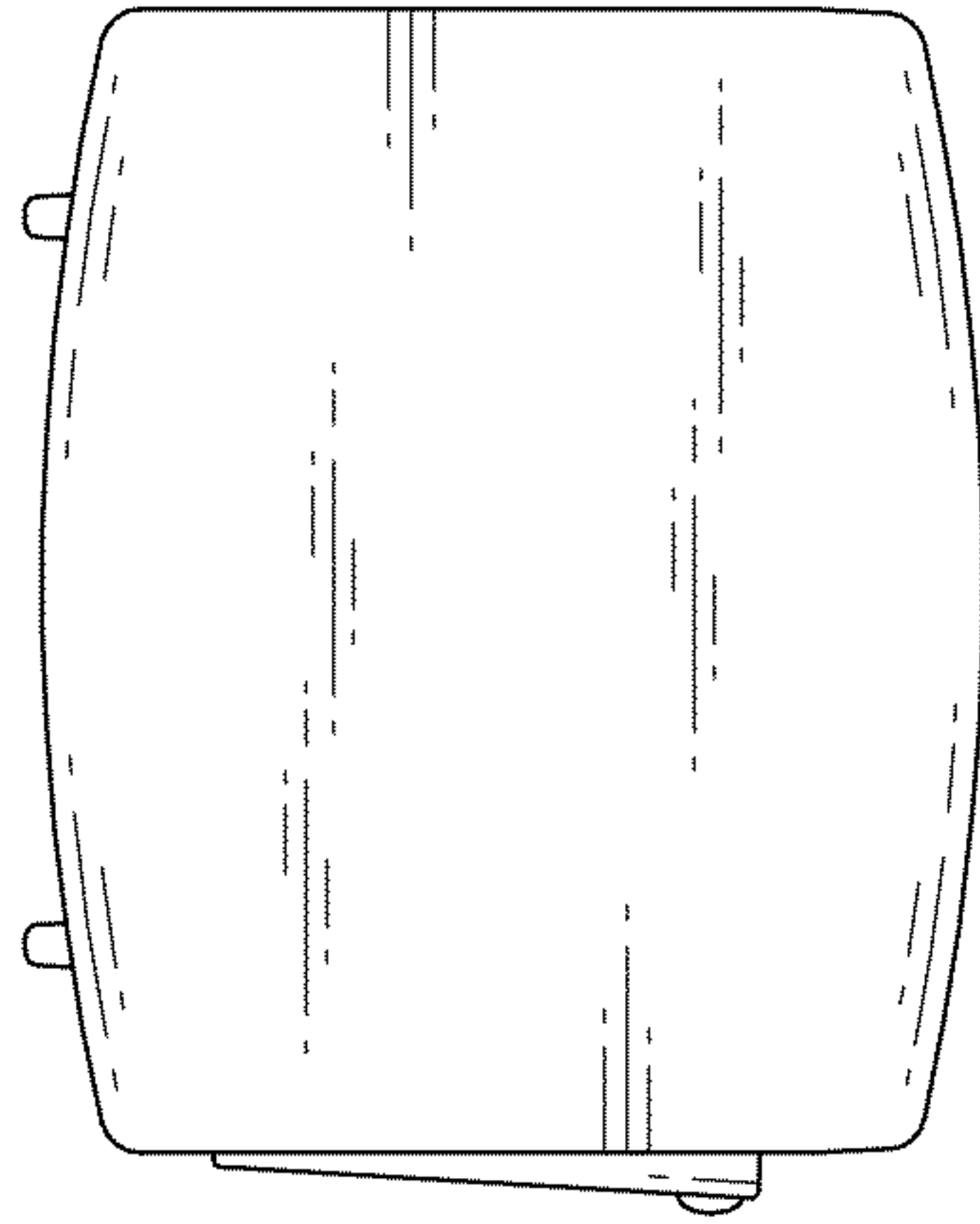


FIG. 5

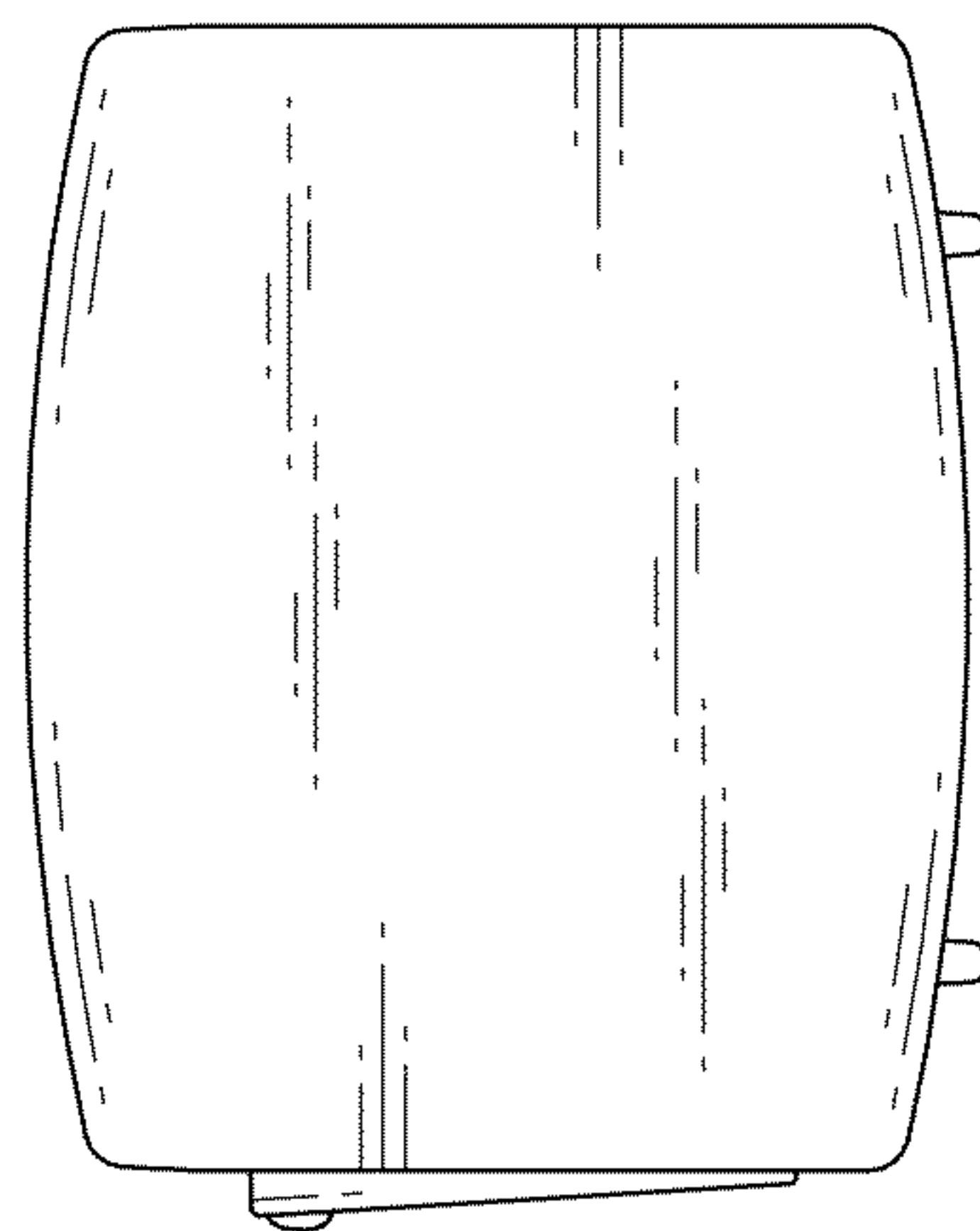


FIG.6

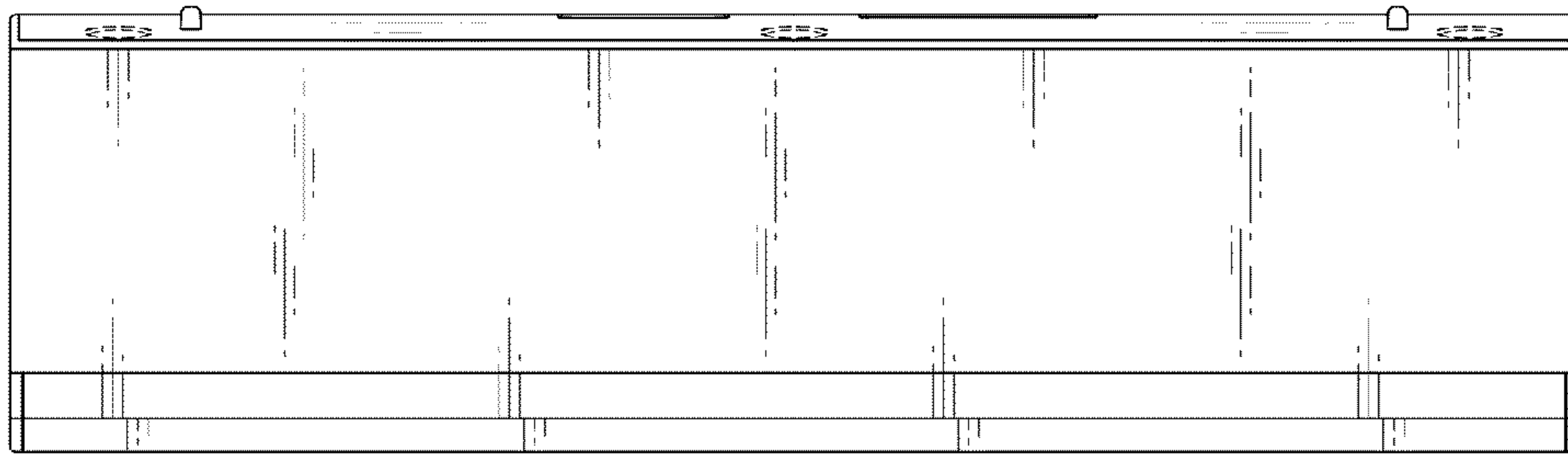


FIG.7

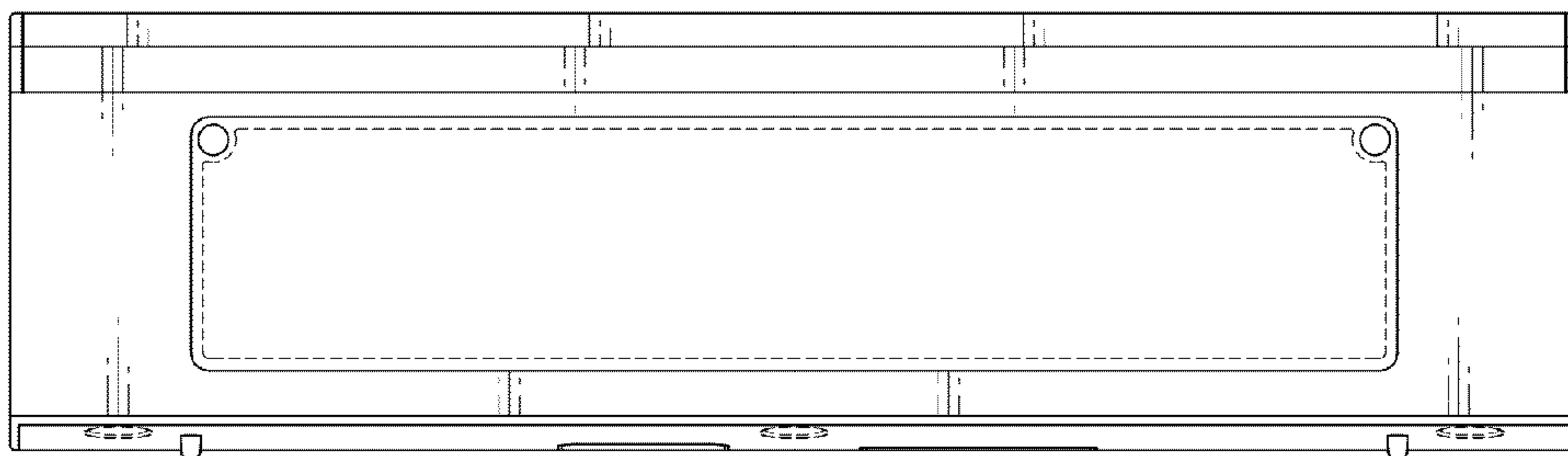


FIG. 8

