



US00D729767S

(12) **United States Design Patent**
Lee et al.

(10) **Patent No.:** **US D729,767 S**
(45) **Date of Patent:** **** May 19, 2015**

- (54) **SPEAKER**
- (71) Applicant: **Samsung Electronics Co., Ltd.**,
Suwon-si (KR)
- (72) Inventors: **Jaeneung Lee**, Ansan-si (KR); **Chaejoo Son**, Namyangju-si (KR)
- (73) Assignee: **Samsung Electronics Co., Ltd.**,
Suwon-si (KR)
- (**) Term: **14 Years**
- (21) Appl. No.: **29/483,139**
- (22) Filed: **Feb. 26, 2014**

- (30) **Foreign Application Priority Data**
Sep. 4, 2013 (KR) 30-2013-0045792
- (51) **LOC (10) Cl.** **14-01**
- (52) **U.S. Cl.**
USPC **D14/209.1; D14/221**
- (58) **Field of Classification Search**
CPC H04R 1/02; H04R 1/023; H04R 1/025;
H04R 1/026; H04R 2400/00
USPC D14/204, 204.1, 210–216, 172;
181/143, 144, 147, 148, 150–153, 157,
181/198, 199; 381/300–306, 332, 333, 336,
381/345, 361–364
See application file for complete search history.

- (56) **References Cited**
U.S. PATENT DOCUMENTS
3,512,605 A * 5/1970 McCorkle 381/301
4,388,492 A * 6/1983 Sato 381/304

5,802,190 A *	9/1998	Ferren	381/182
7,095,867 B2 *	8/2006	Schul et al.	381/334
D566,685 S *	4/2008	Koller et al.	D14/188
D641,338 S *	7/2011	Chen	D14/209.1
8,194,897 B2 *	6/2012	Choi	381/182
8,254,622 B2 *	8/2012	Jiang et al.	381/386
D691,586 S *	10/2013	Clark	D14/209.1
D708,166 S *	7/2014	Lim et al.	D14/209.1
D717,272 S *	11/2014	Kim et al.	D14/204

* cited by examiner

Primary Examiner — Prabhakar Deshmukh

(74) *Attorney, Agent, or Firm* — NSIP Law

(57) **CLAIM**

We claim the ornamental design for a speaker, as shown and described.

DESCRIPTION

FIG. 1 is a front perspective view of a speaker showing our new design;
 FIG. 2 is a front view thereof;
 FIG. 3 is a rear view thereof;
 FIG. 4 is a left-side view thereof;
 FIG. 5 is a right-side view thereof;
 FIG. 6 is a top view thereof;
 FIG. 7 is a bottom view thereof;
 FIG. 8 is an enlarged view of the front portion encircled in FIG. 1; and,
 FIG. 9 is an enlarged view of the rear portion encircled in FIG. 1.

The broken lines in the figures show portions of the speaker which form no part of the claimed design.

The dot-dot-dash broken lines encircling portions of the claimed design that are illustrated in enlargements form no part of the claimed design.

1 Claim, 9 Drawing Sheets

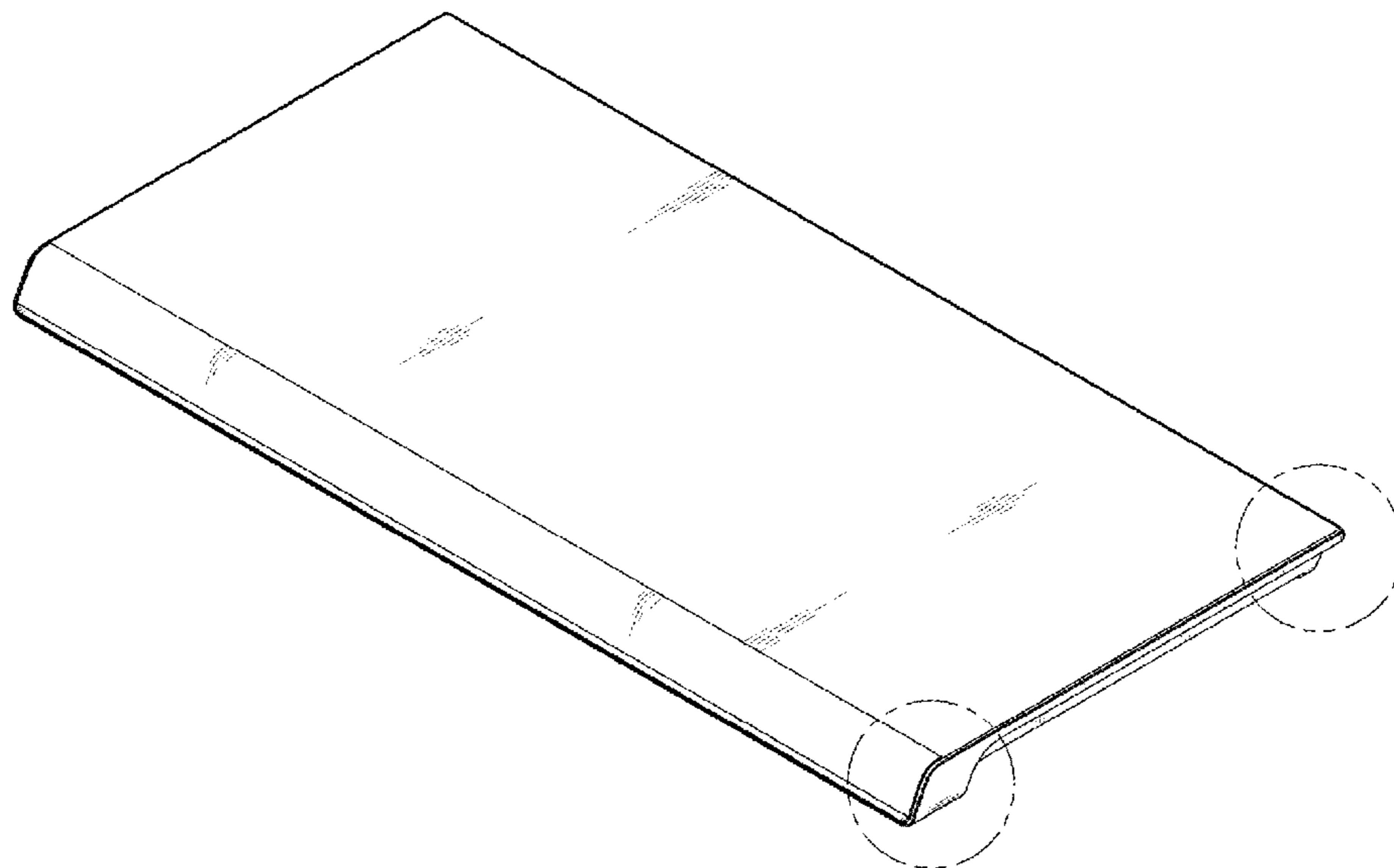


Fig. 1

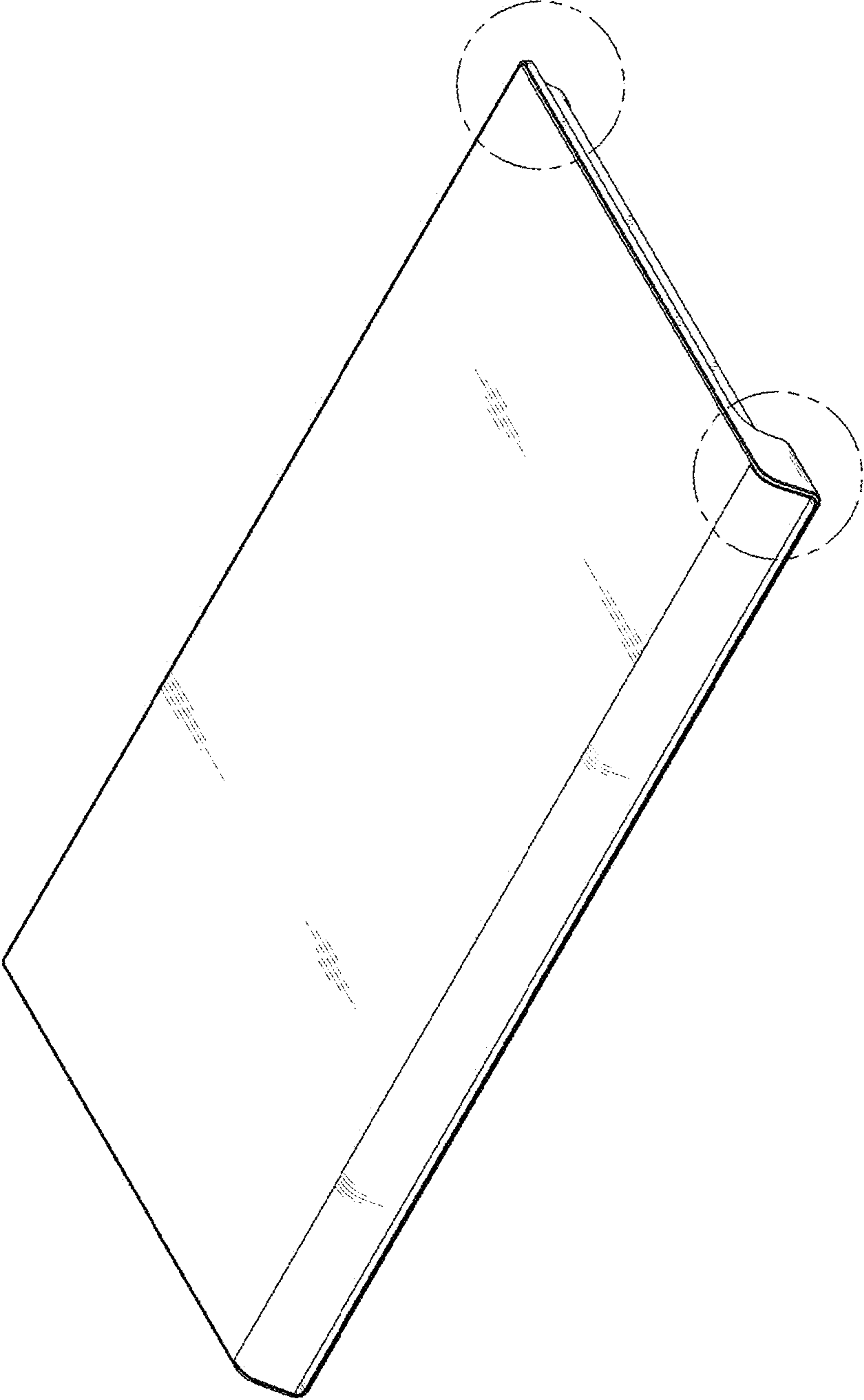


Fig. 2

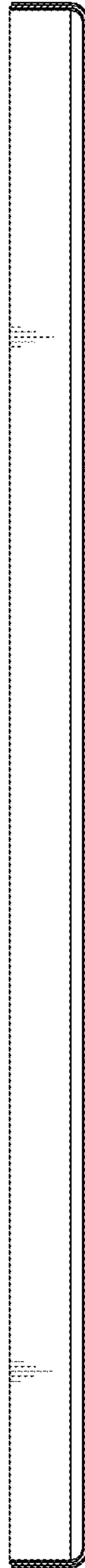


Fig. 3

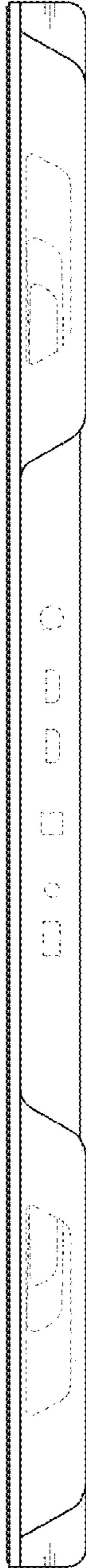


Fig. 4

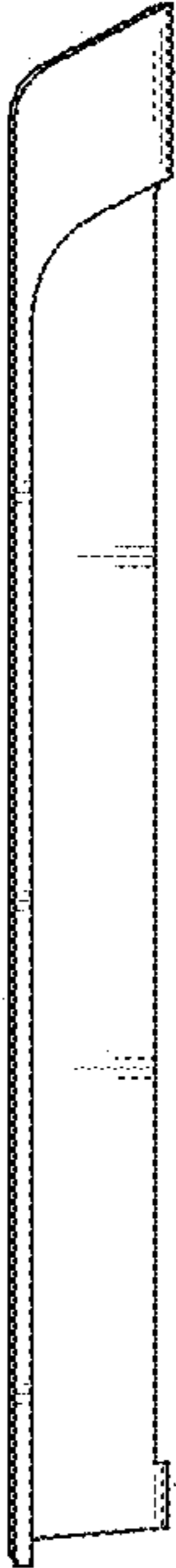


Fig. 5

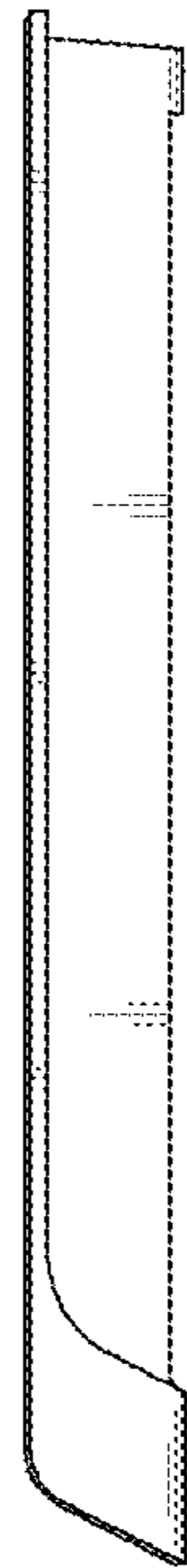


Fig. 6

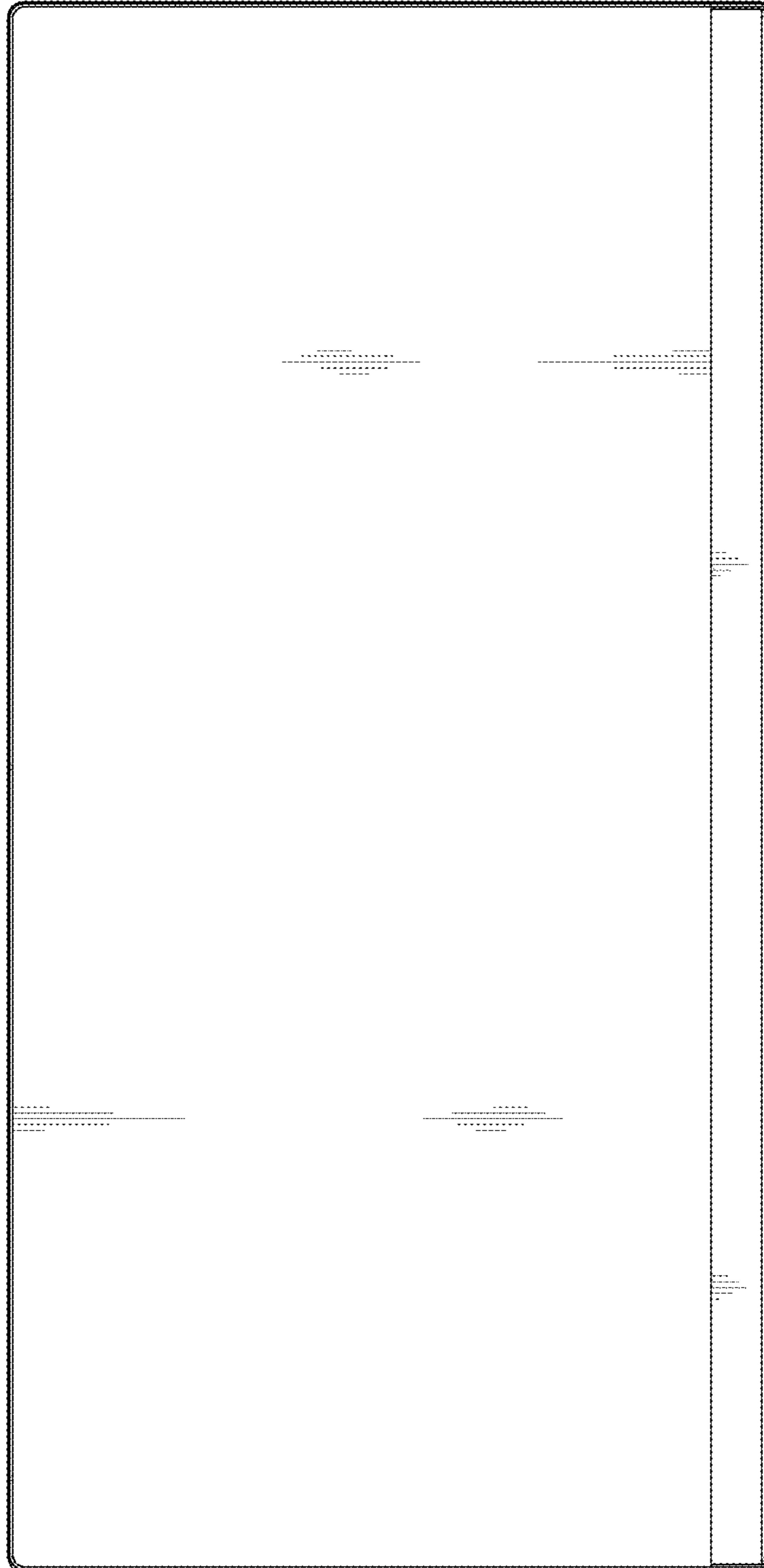


Fig. 7

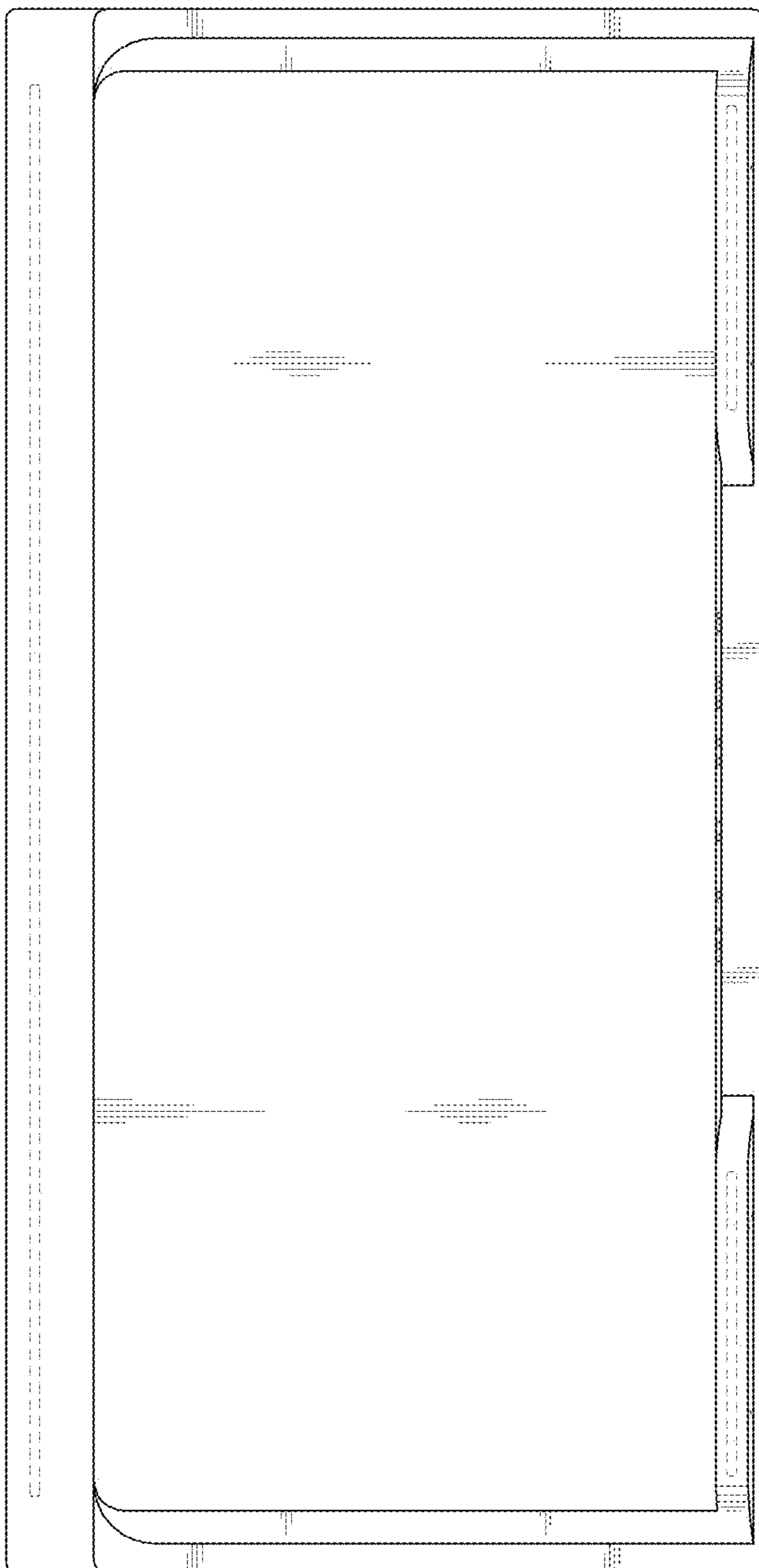


Fig. 8

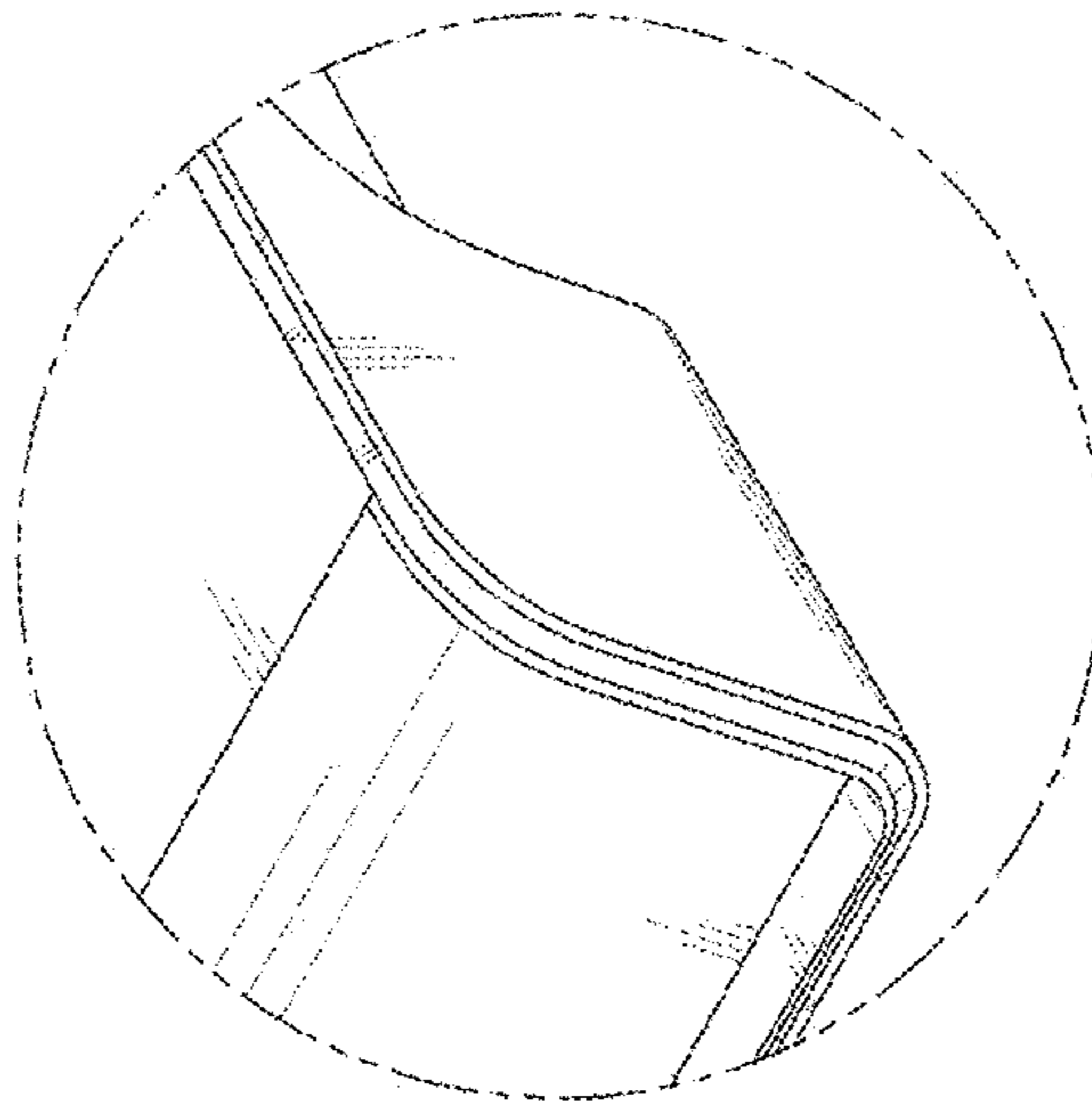


Fig. 9

