

US00D729763S

(12) **United States Design Patent**
Ono

(10) **Patent No.:** **US D729,763 S**

(45) **Date of Patent:** **** May 19, 2015**

(54) **SPEAKER WITH LIGHTING**
(71) Applicant: **Yamaha Corporation**, Shizuoka (JP)
(72) Inventor: **Masaharu Ono**, Shizuoka (JP)
(73) Assignee: **Yamaha Corporation**, Shizuoka (JP)
(**) Term: **14 Years**

(21) Appl. No.: **29/483,359**
(22) Filed: **Feb. 27, 2014**

(30) **Foreign Application Priority Data**
Aug. 27, 2013 (JP) 2013-019594
Aug. 27, 2013 (JP) 2013-019595
Aug. 27, 2013 (JP) 2013-019596
(51) **LOC (10) Cl.** **14-01**
(52) **U.S. Cl.**
USPC **D14/204; D14/224**
(58) **Field of Classification Search**
CPC H04R 1/02
USPC D14/224, 224.1, 204, 209.1, 211, 213,
D14/214, 217, 221; D26/51, 52, 58, 93;
362/133, 134; 248/146, 121, 176;
381/305, 387, 335, 160, 333, 332, 388
See application file for complete search history.

(56) **References Cited**
U.S. PATENT DOCUMENTS
D126,639 S * 4/1941 Rockola D14/210
3,052,758 A * 9/1962 Berry 381/120
3,371,742 A * 3/1968 Norton et al. 181/153
3,443,660 A * 5/1969 Olson et al. 381/353
D218,614 S * 9/1970 Yurdin D14/212
D225,748 S * 1/1973 Boldt D14/212
3,750,838 A * 8/1973 Pyle, Jr. 181/153
D233,842 S * 12/1974 Petroff D14/212
D234,604 S * 3/1975 Shimizu D14/212
D238,880 S * 2/1976 Elwell D14/212

3,978,941 A * 9/1976 Siebert 181/151
4,033,430 A * 7/1977 Bolden 181/144
4,042,778 A * 8/1977 Clinton 381/182
D247,490 S * 3/1978 Everidge D14/212
D249,683 S * 9/1978 Rams D14/211
4,223,760 A * 9/1980 LeTourneau 181/147
4,249,037 A * 2/1981 Dexter 381/308
4,267,405 A * 5/1981 Russell 381/305

(Continued)

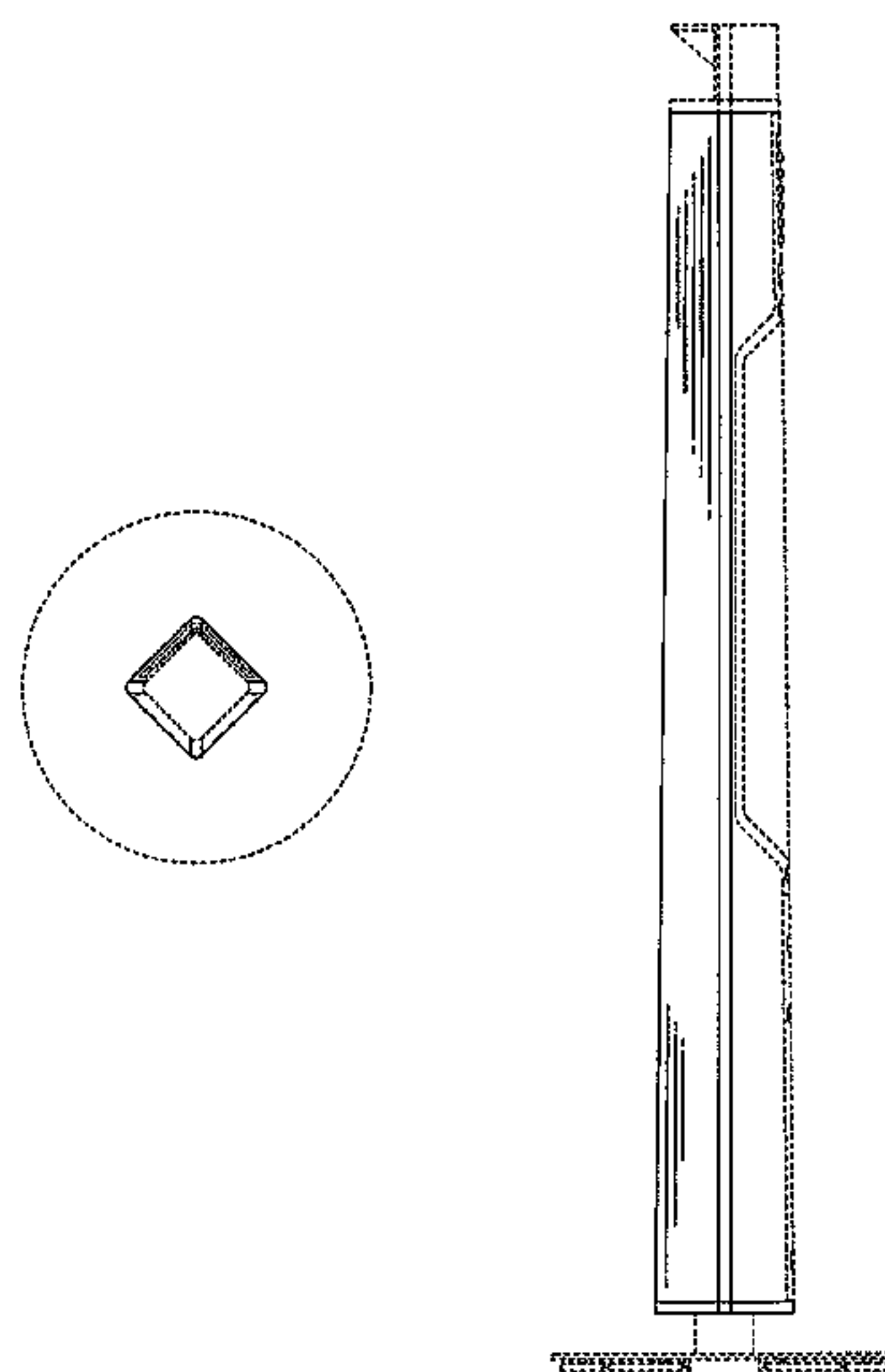
Primary Examiner — Paul Greene
(74) *Attorney, Agent, or Firm* — McDonald Hopkins LLC

(57) **CLAIM**
The ornamental design for a speaker with lighting, as shown and described.

DESCRIPTION

FIG. 1 is a front view of a first embodiment of a speaker with lighting;
FIG. 2 is a back view thereof;
FIG. 3 is a plan view thereof;
FIG. 4 is a bottom view thereof;
FIG. 5 is a right view thereof;
FIG. 6 is a left view thereof;
FIG. 7 is a front view of a second embodiment of a speaker with lighting;
FIG. 8 is a back view thereof;
FIG. 9 is a plan view thereof;
FIG. 10 is a bottom view thereof;
FIG. 11 is a right view thereof;
FIG. 12 is a left view thereof;
FIG. 13 is a front view of a third embodiment of a speaker with lighting;
FIG. 14 is a back view thereof;
FIG. 15 is a plan view thereof;
FIG. 16 is a bottom view thereof;
FIG. 17 is a right view thereof; and,
FIG. 18 is a left view thereof.
The broken lines shown in the figures are for illustrative purposes only and form no part of the claimed design.

1 Claim, 18 Drawing Sheets



(56)

References Cited

U.S. PATENT DOCUMENTS

D260,390 S *	8/1981	Bertagni	D14/211	5,802,190 A *	9/1998	Ferren	381/182
4,289,929 A *	9/1981	Hathaway	381/351	D451,494 S *	12/2001	Oikawa	D14/214
D261,883 S *	11/1981	Russell et al.	D14/214	D475,991 S *	6/2003	Hisatsune	D14/211
D263,471 S *	3/1982	Hobrough et al.	D14/213	D494,565 S *	8/2004	Yao	D14/215
D265,990 S *	8/1982	Hartwein et al.	D14/214	7,319,767 B2 *	1/2008	Fidlin et al.	381/182
D276,519 S *	11/1984	Hobrough et al.	D14/214	D571,785 S *	6/2008	Kim	D14/211
4,580,654 A *	4/1986	Hale	181/146	D578,103 S *	10/2008	Matsuoka	D14/211
D305,893 S *	2/1990	Maloney	D14/215	D585,875 S *	2/2009	Matsuoka	D14/211
5,105,905 A *	4/1992	Rice	181/155	D615,962 S *	5/2010	Lee et al.	D14/188
5,111,905 A *	5/1992	Rodgers	181/152	D645,450 S *	9/2011	Chen	D14/215
D347,225 S *	5/1994	Lowy et al.	D14/211	D654,053 S *	2/2012	Lee et al.	D14/211
D354,750 S *	1/1995	Lewis	D14/216	D659,120 S *	5/2012	Kim et al.	D14/211
5,461,299 A *	10/1995	Bruni	320/108	D659,677 S *	5/2012	Kim et al.	D14/214
				D672,747 S *	12/2012	Khoo et al.	D14/214
				D680,096 S *	4/2013	Ryu et al.	D14/214
				D708,168 S *	7/2014	Ryu et al.	D14/213

* cited by examiner

Fig. 1

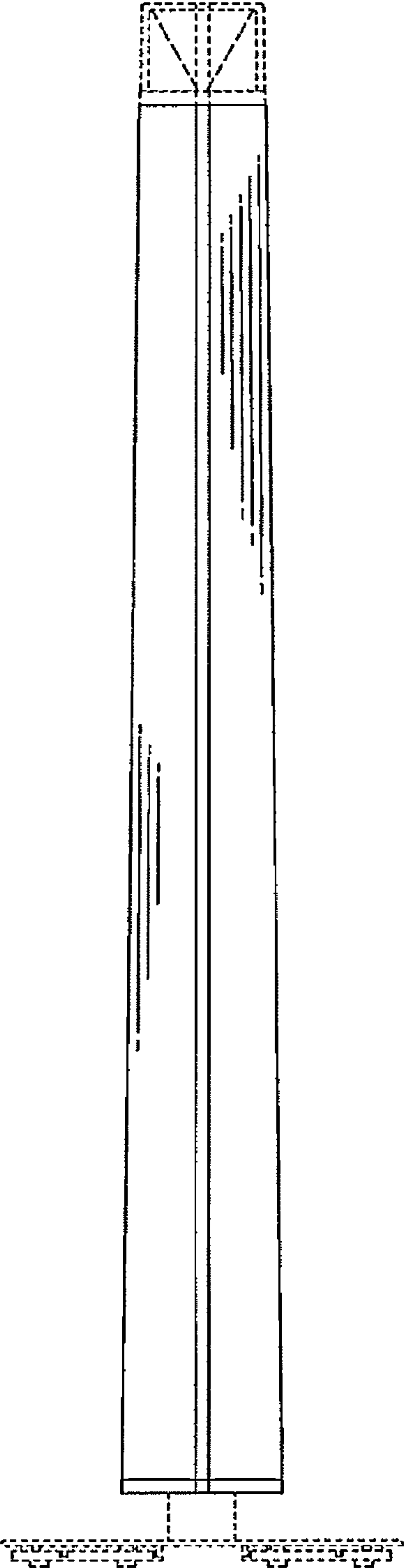


Fig.2

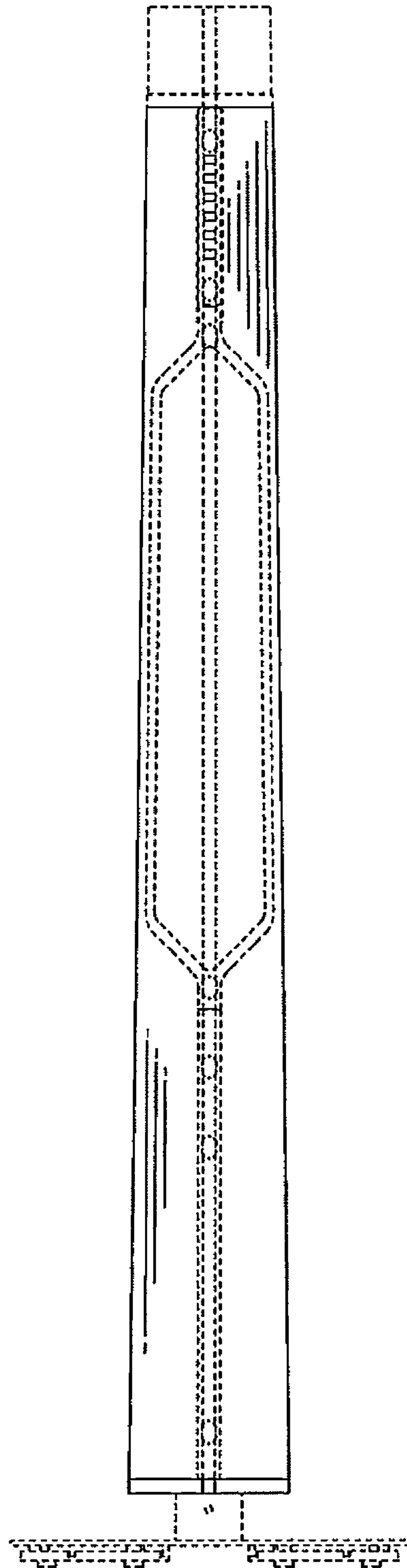


Fig.3

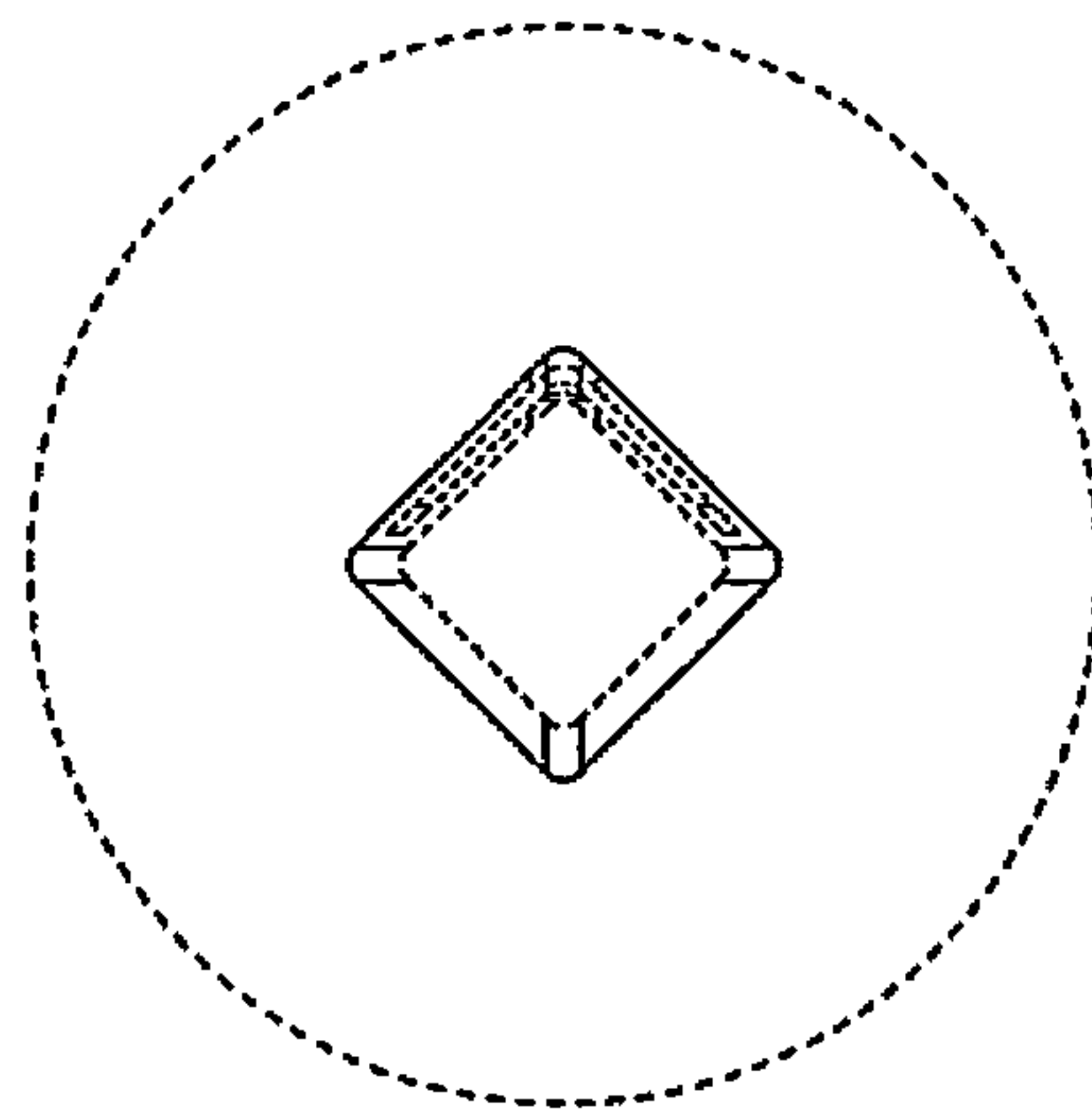


Fig.4

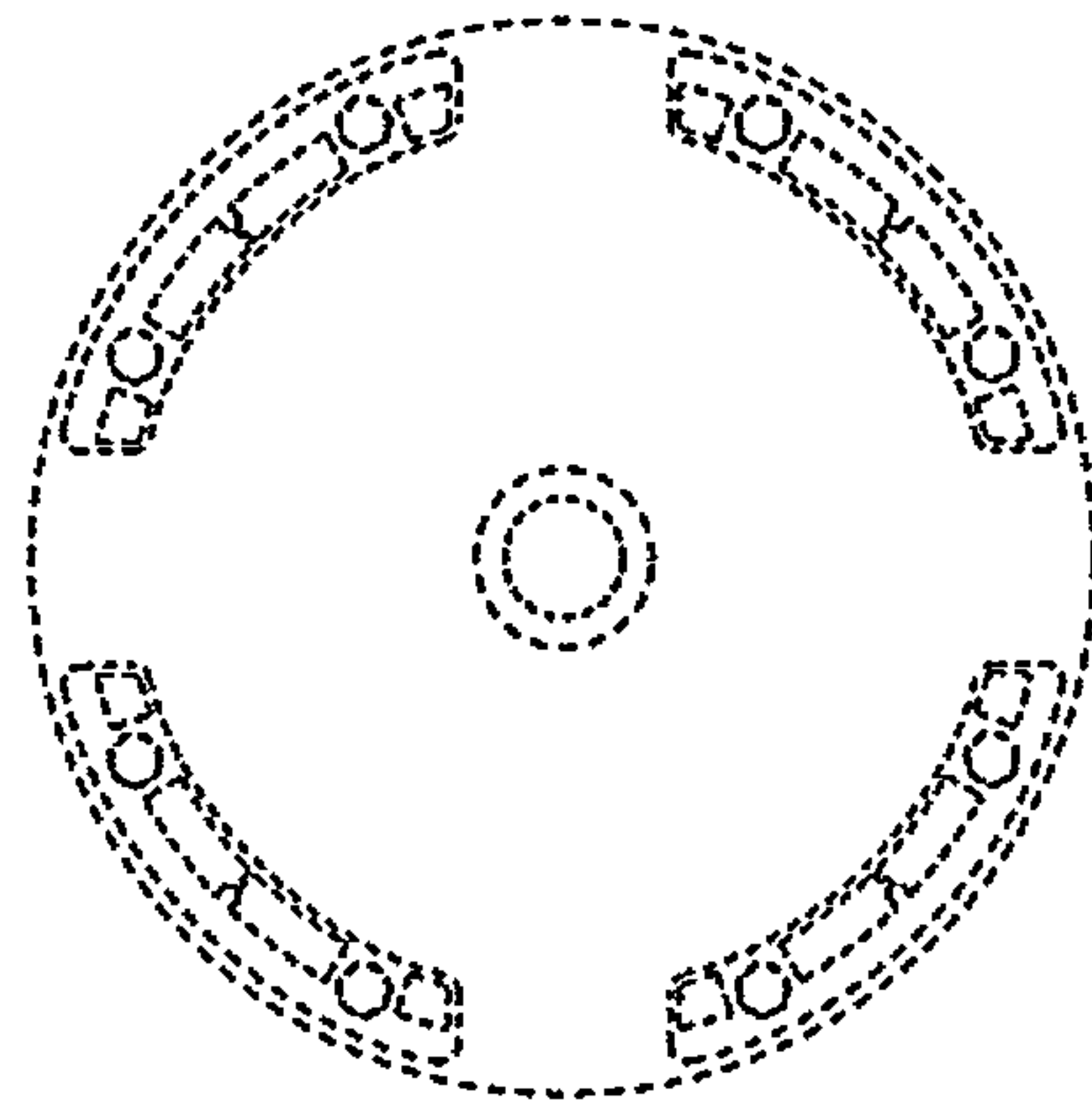


Fig.5

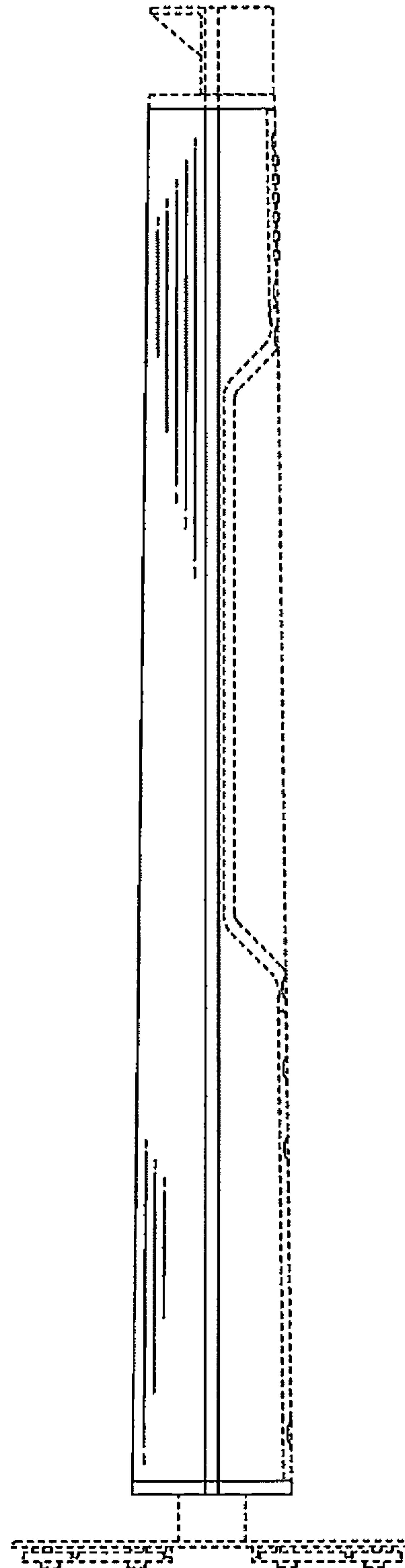


Fig.6

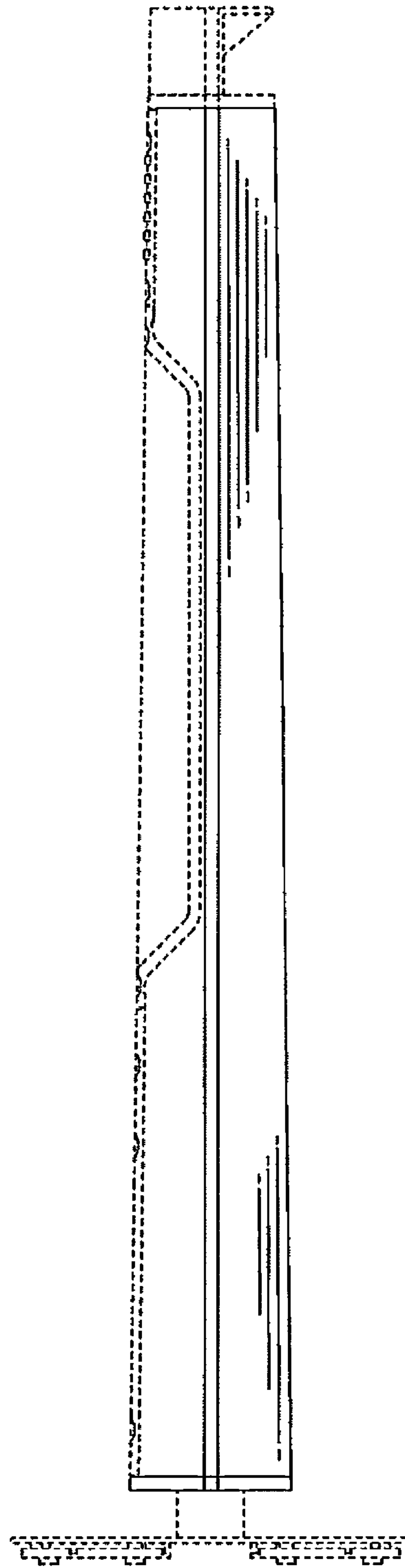


Fig.7

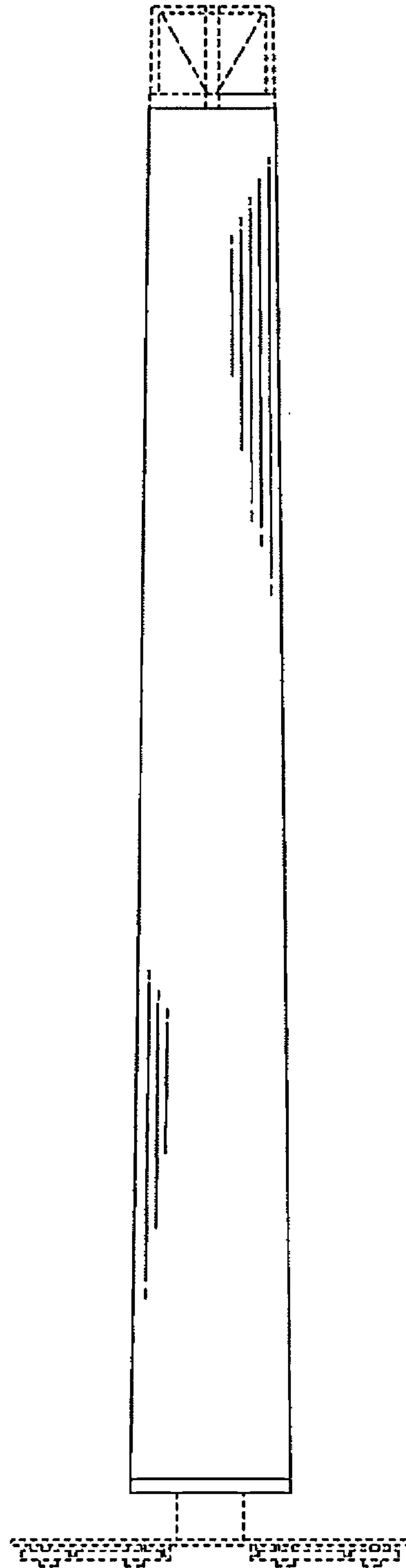


Fig. 8

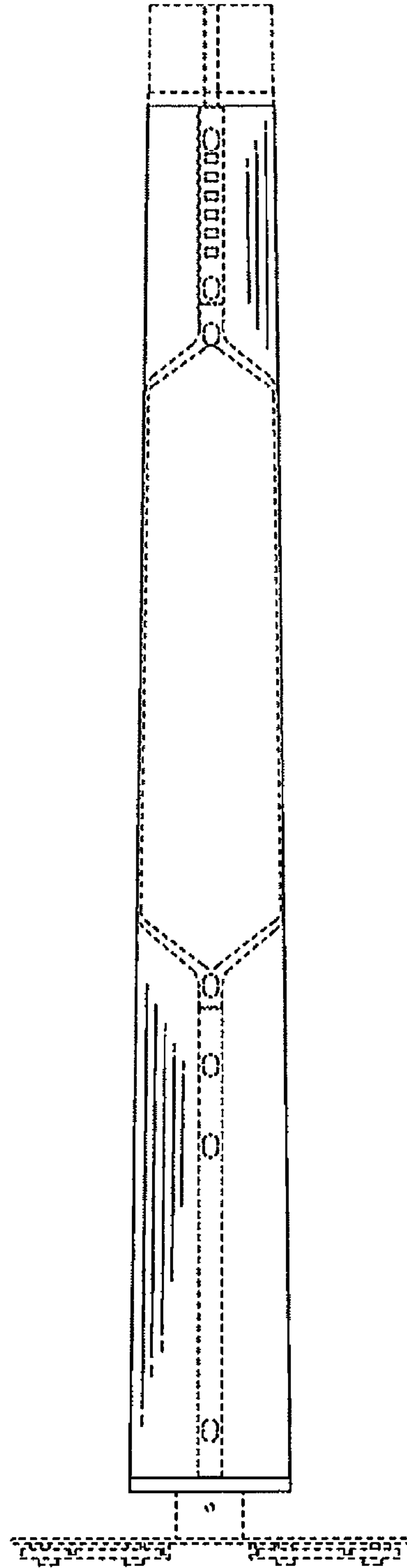


Fig.9

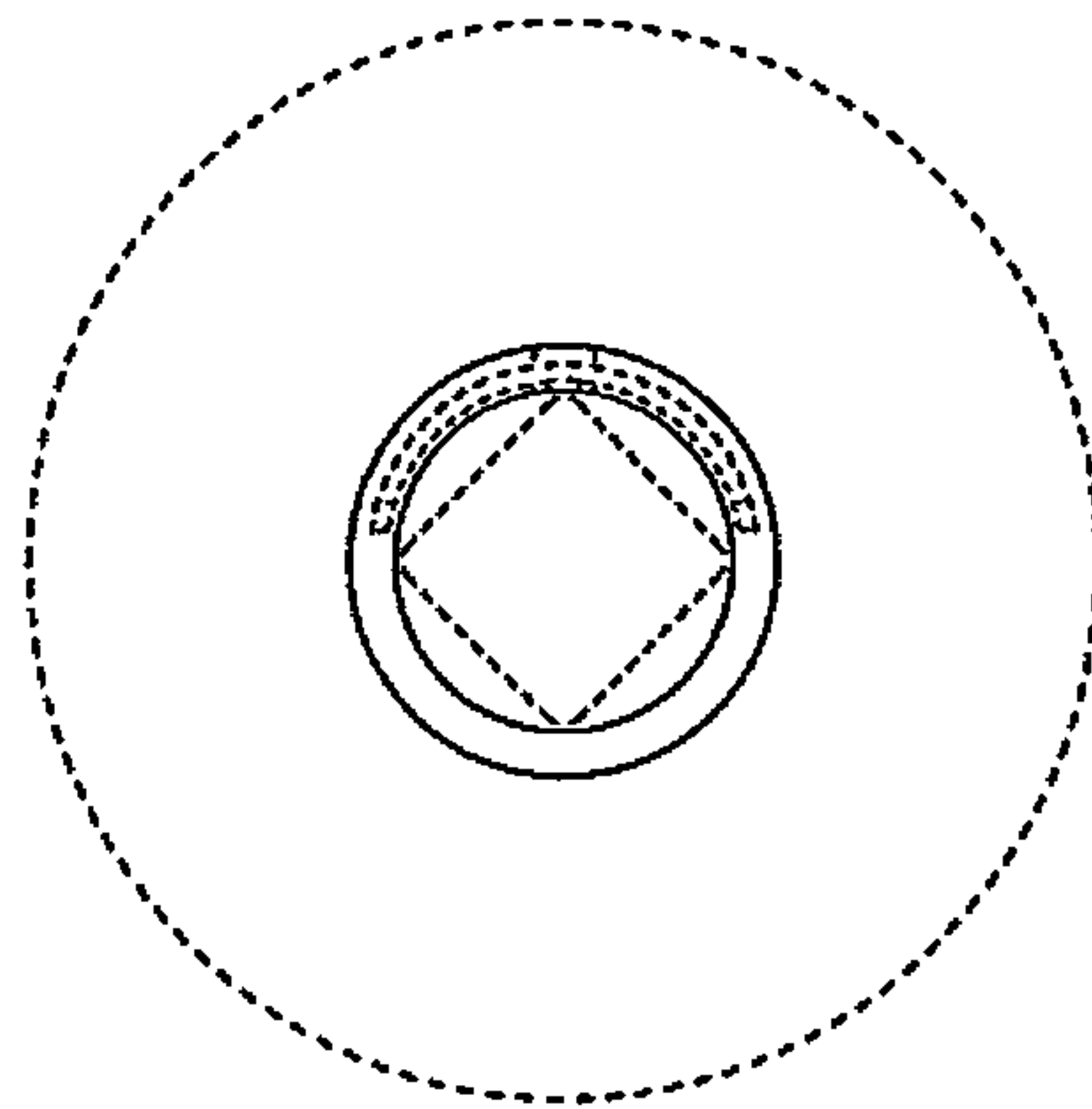


Fig.10

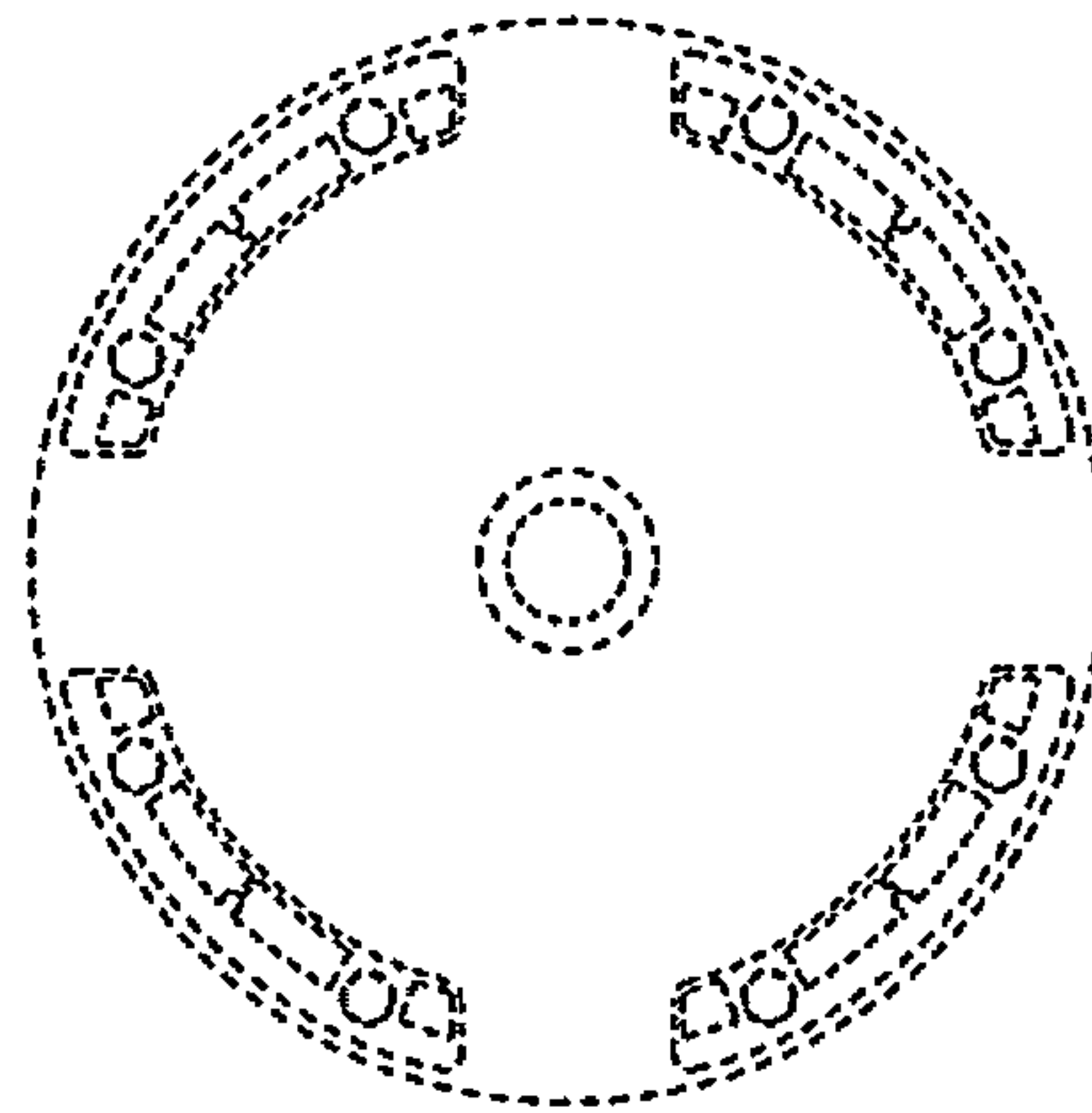


Fig. 11

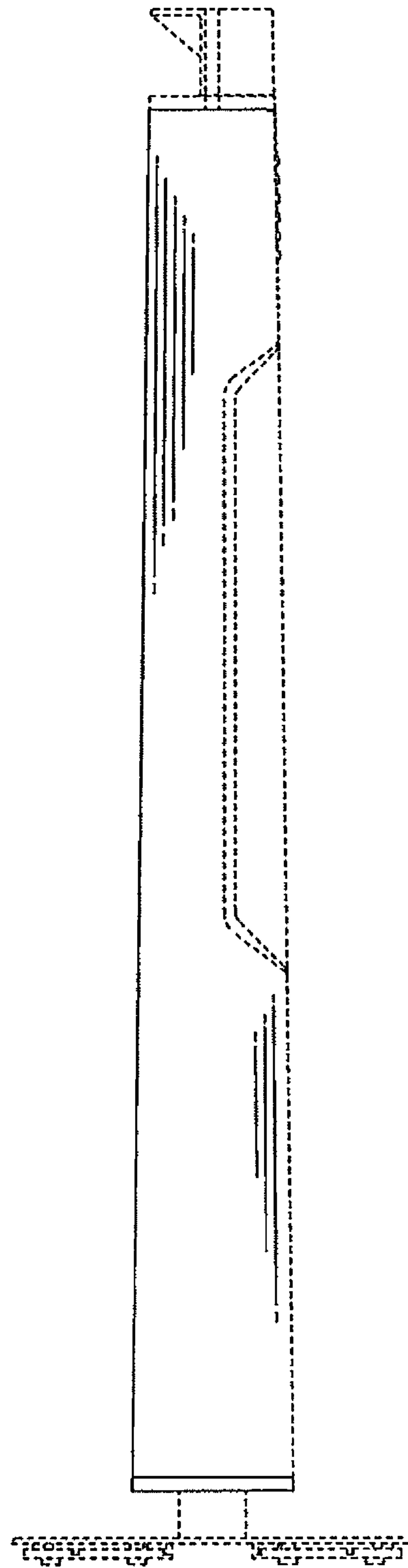


Fig.12

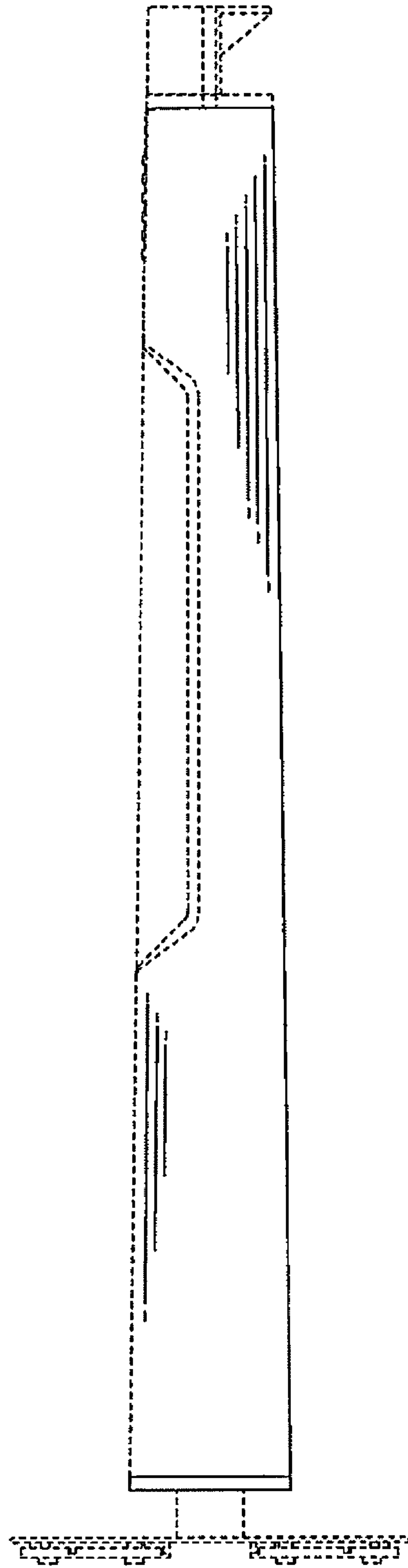


Fig.13

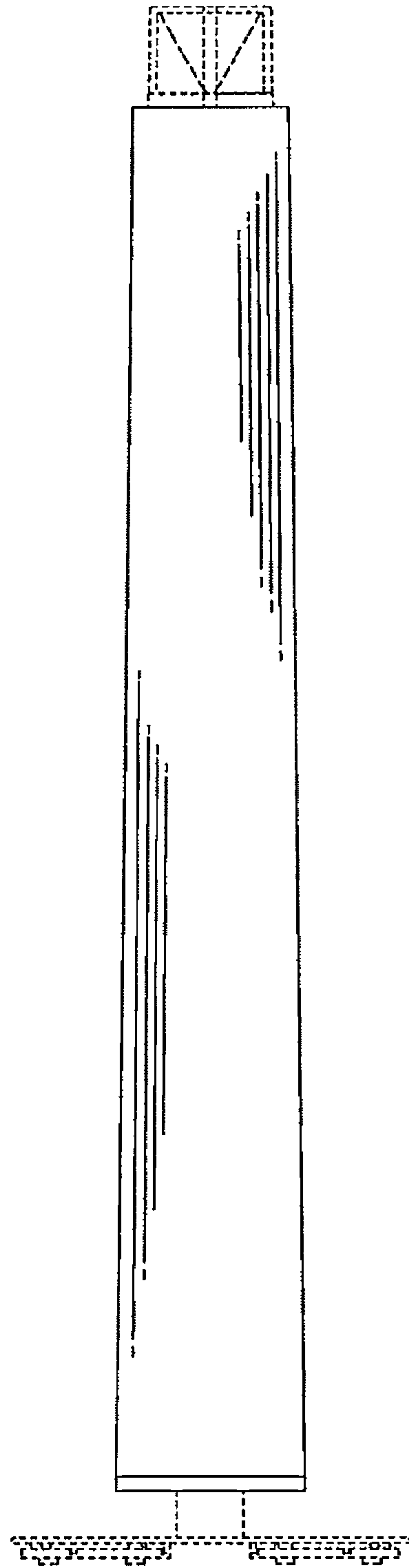


Fig. 14

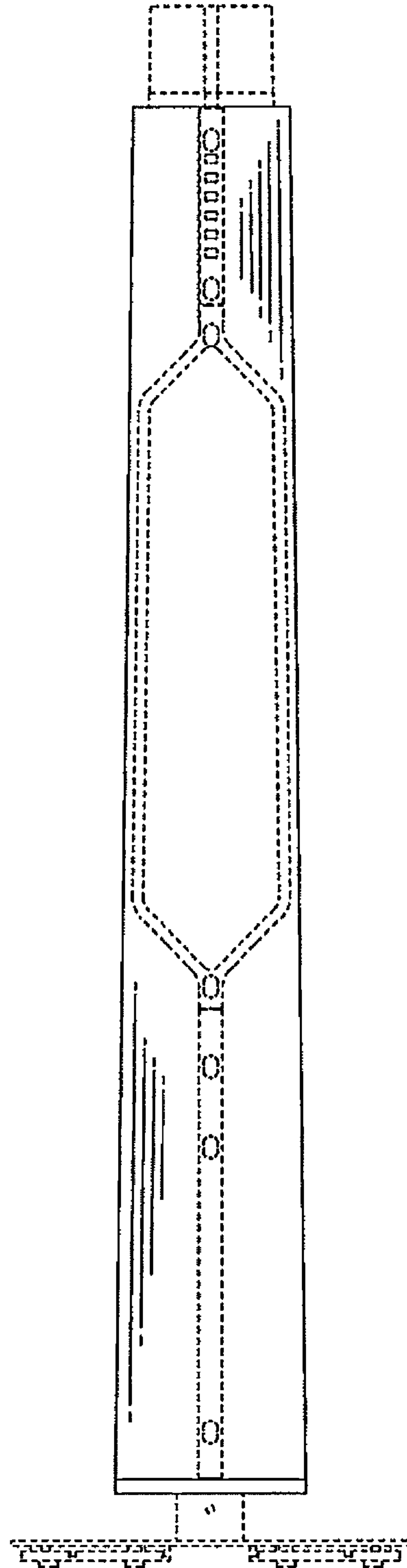


Fig.15

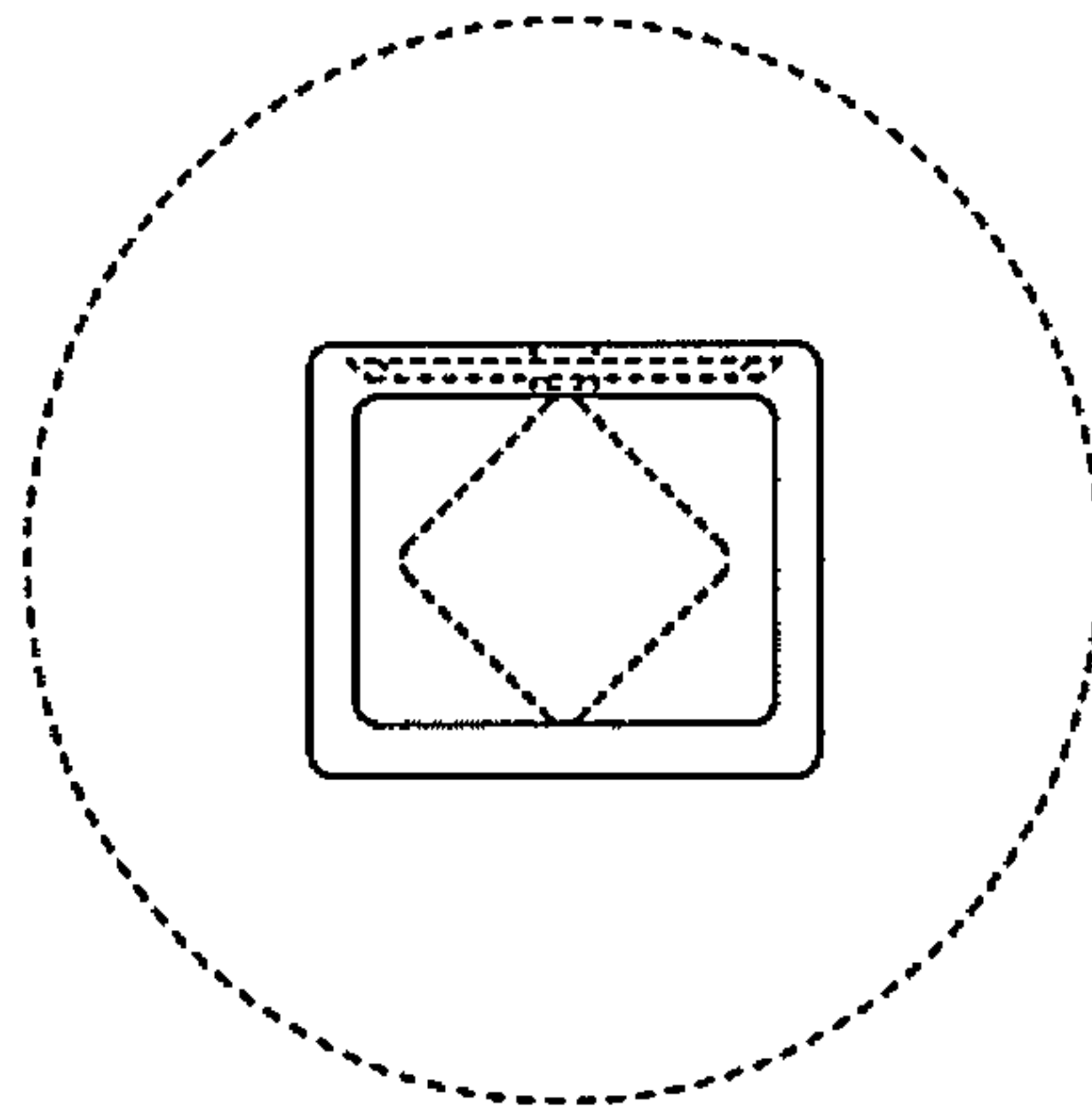


Fig. 16

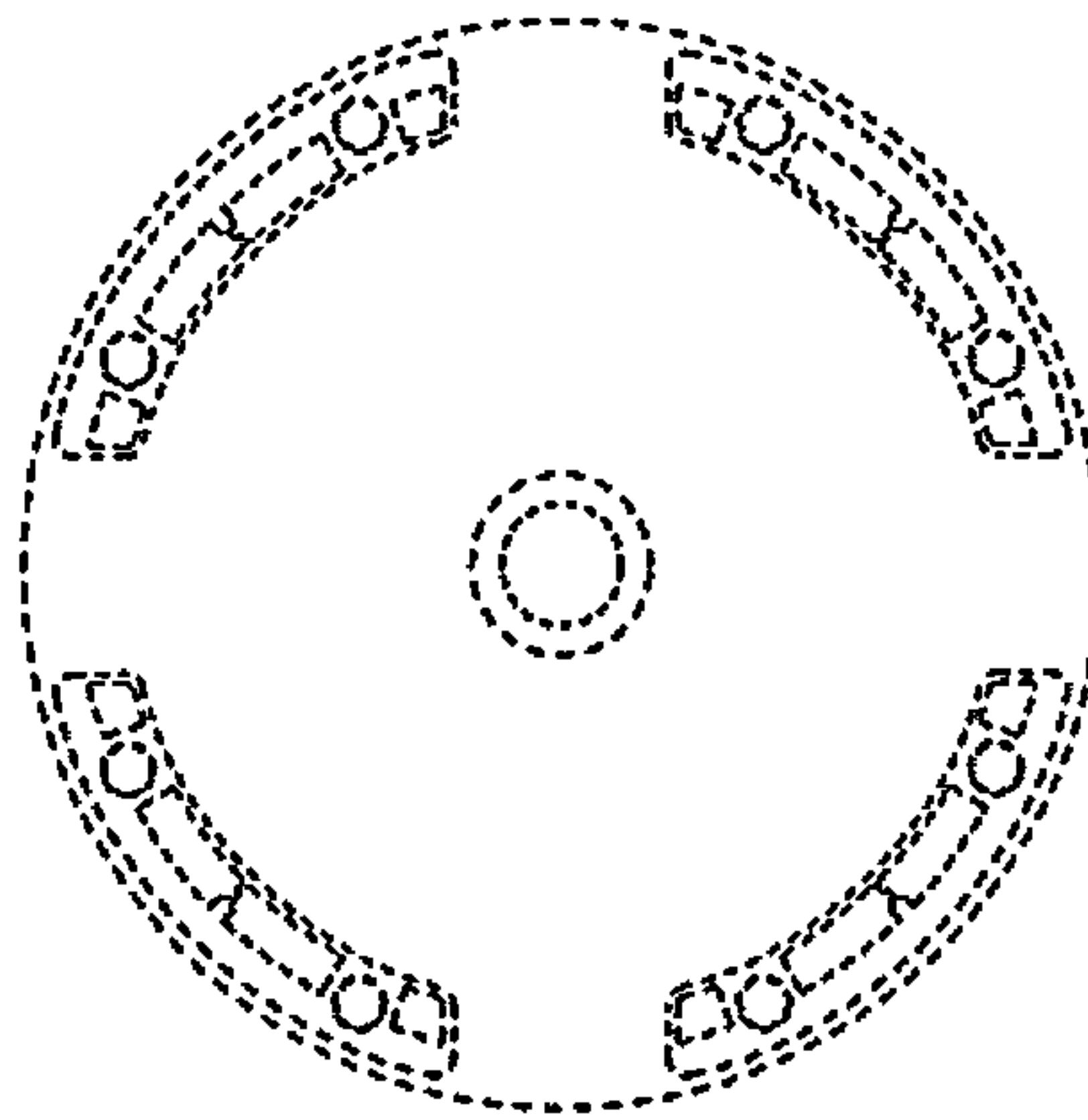


Fig.17

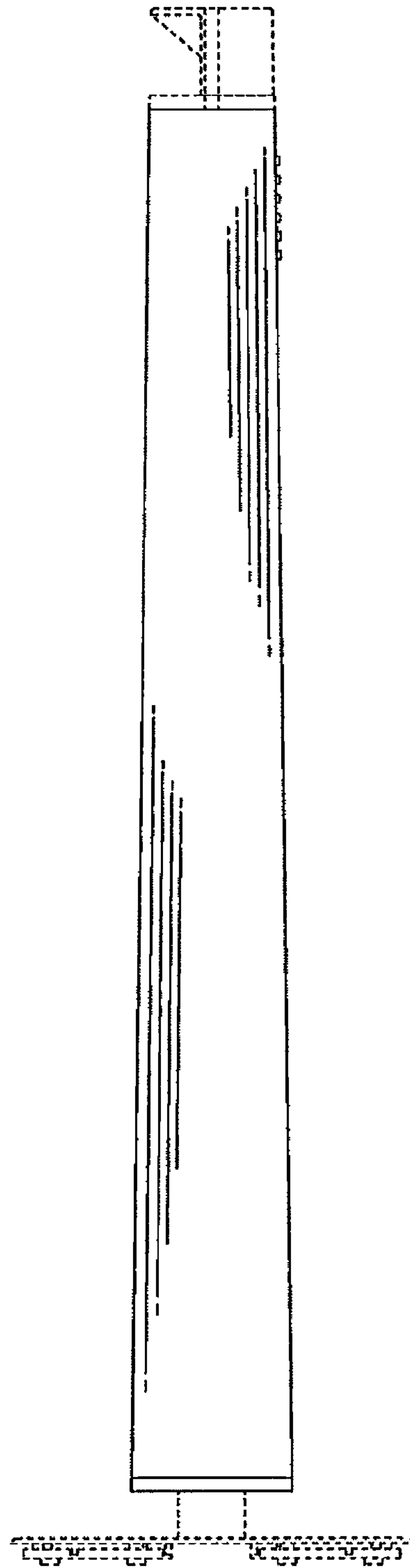


Fig.18

