



US00D729762S

(12) **United States Design Patent**
Hu et al.

(10) **Patent No.:** **US D729,762 S**
(45) **Date of Patent:** **** May 19, 2015**

(54) **AUDIO AMPLIFIER**
(71) Applicant: **SHENZHEN RAPOO TECHNOLOGY CO., LTD.**, Shenzhen, Guangdong (CN)
(72) Inventors: **Qingjie Hu**, Guangdong (CN); **Zehai Wang**, Guangdong (CN)
(73) Assignee: **SHENZHEN RAPOO TECHNOLOGY CO., LTD.**, Shenzhen (CN)

D505,669 S * 5/2005 Liu D14/194
D557,256 S * 12/2007 Joseph D14/214
D578,105 S * 10/2008 Komiyama D14/214
D636,759 S * 4/2011 Chen D14/214
D648,743 S * 11/2011 Chang D14/496
D672,748 S * 12/2012 Burlingame et al. D14/214
D674,779 S * 1/2013 Joseph D14/214
D690,287 S * 9/2013 Belfanti et al. D14/214

* cited by examiner

Primary Examiner — Sandra Morris

(**) Term: **14 Years**

(57) **CLAIM**

(21) Appl. No.: **29/476,390**

The ornamental design for audio amplifier, as shown and described.

(22) Filed: **Dec. 12, 2013**

(30) **Foreign Application Priority Data**

DESCRIPTION

Jul. 31, 2013 (CN) 2013 3 0366140
(51) **LOC (10) Cl.** **14-03**
(52) **U.S. Cl.**
USPC **D14/194**; D14/214
(58) **Field of Classification Search**
CPC H04B 1/06; H04B 1/08; H04B 1/086;
H04M 1/04; H04M 1/21; H04W 4/02; H04W
4/06
USPC D14/496, 498–511, 157, 168–171,
D14/188–198, 203.1–203.7, 210, 214–216;
312/7.1; 369/6–12; 370/342–344;
455/90.1–90.3, 344–355
See application file for complete search history.

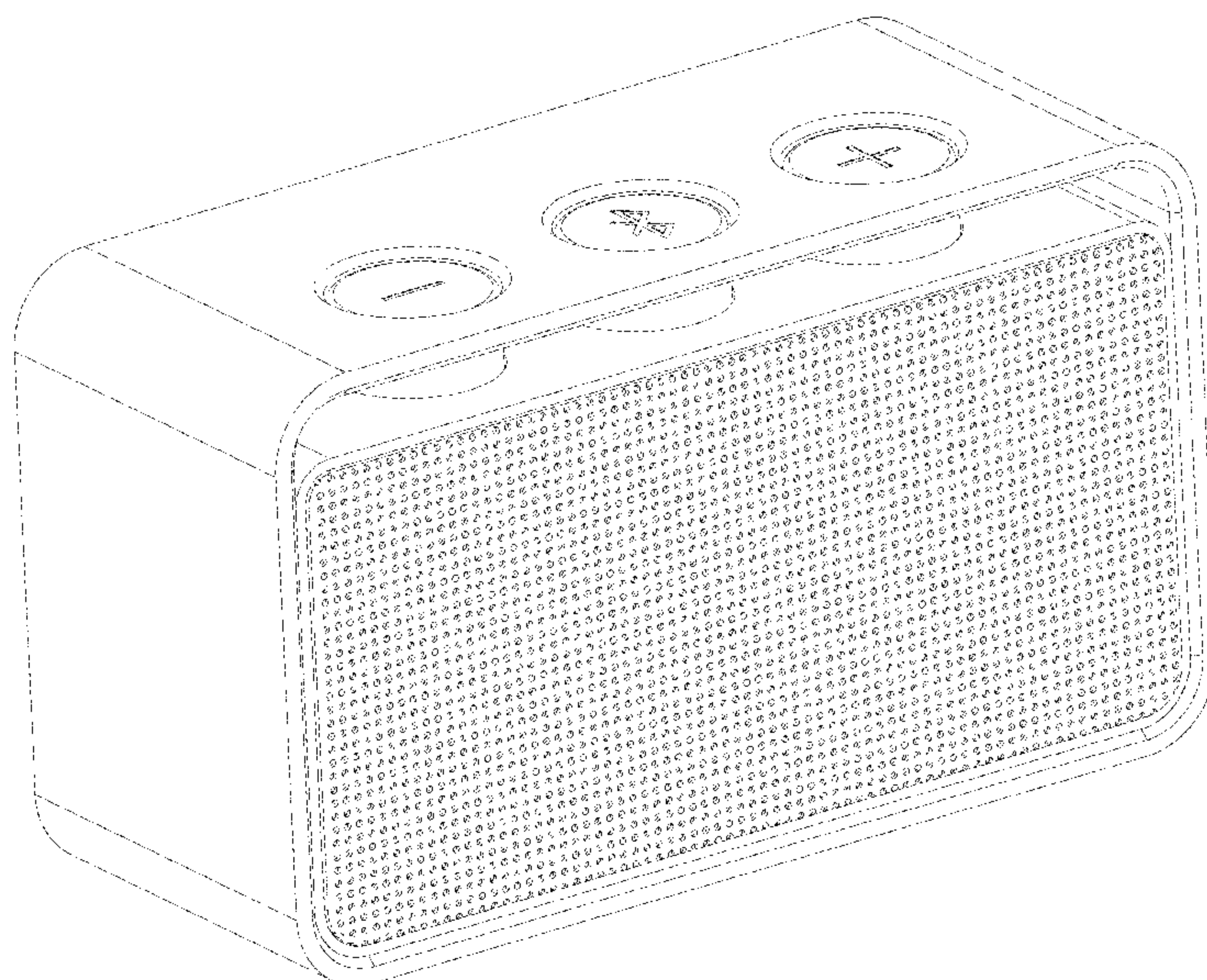
FIG. 1 is a front view of an audio amplifier showing our new design;
FIG. 2 is a rear view thereof;
FIG. 3 is a left side view thereof;
FIG. 4 is a right side view thereof;
FIG. 5 is a top plan view thereof;
FIG. 6 is a bottom plan view thereof;
FIG. 7 is a first perspective view thereof;
FIG. 8 is a second perspective view thereof;
FIG. 9 is a third perspective view thereof;
FIG. 10 is a fourth perspective view thereof;
FIG. 11 is a fifth perspective view thereof; and,
FIG. 12 is a sixth perspective view thereof.

(56) **References Cited**

U.S. PATENT DOCUMENTS

D478,564 S * 8/2003 Rizzi D14/188
D505,668 S * 5/2005 Liu D14/194

1 Claim, 12 Drawing Sheets



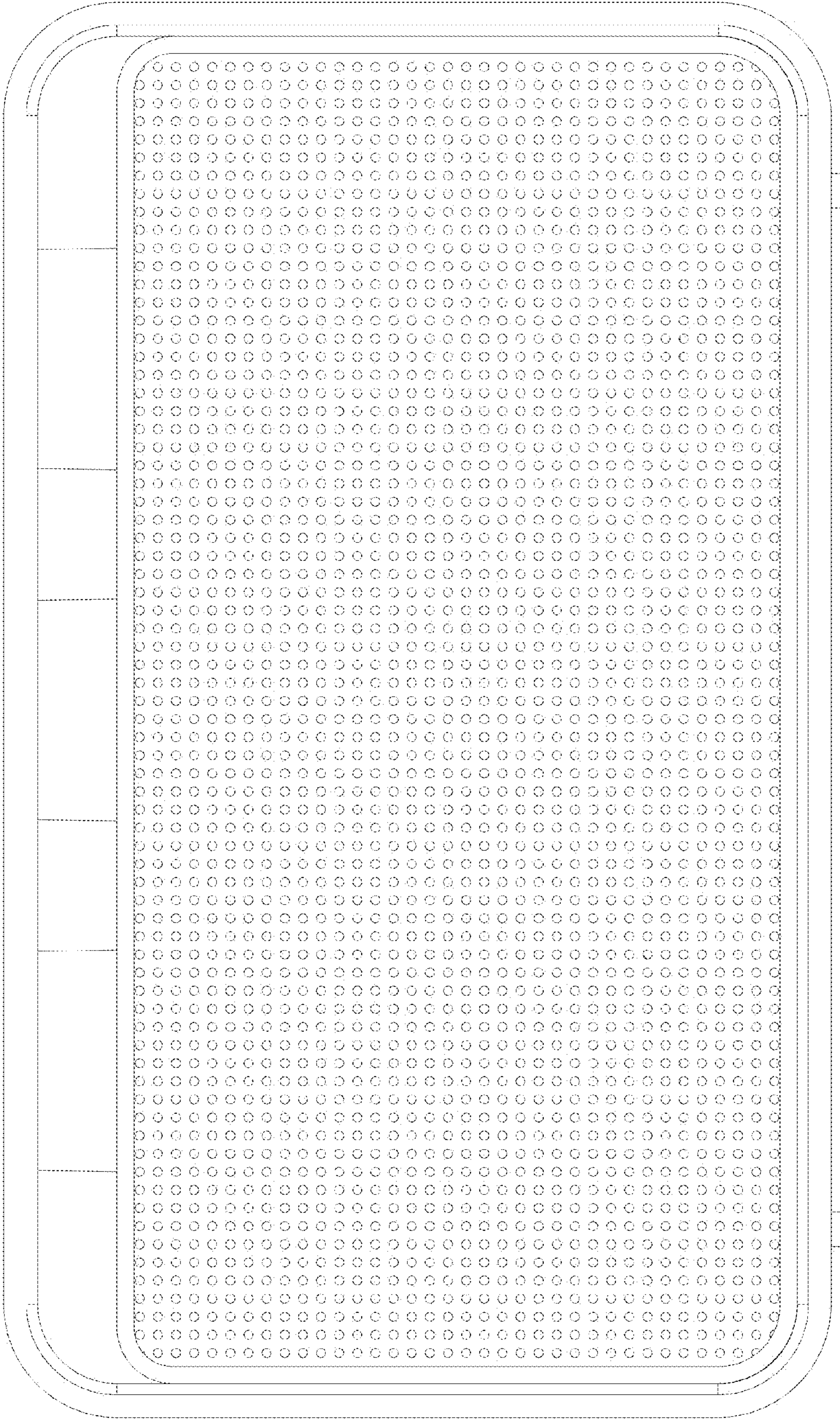


Fig. 1

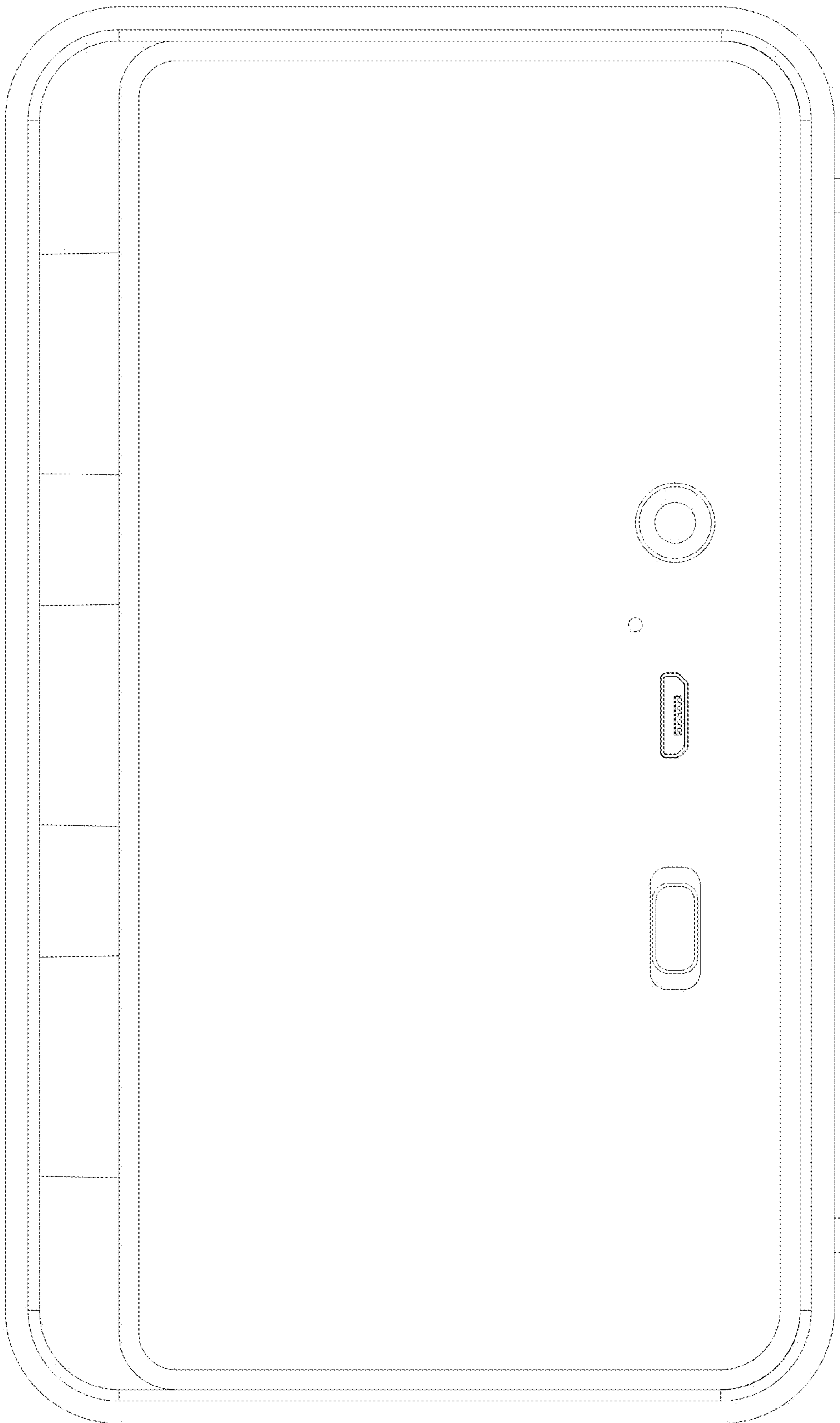


Fig. 2

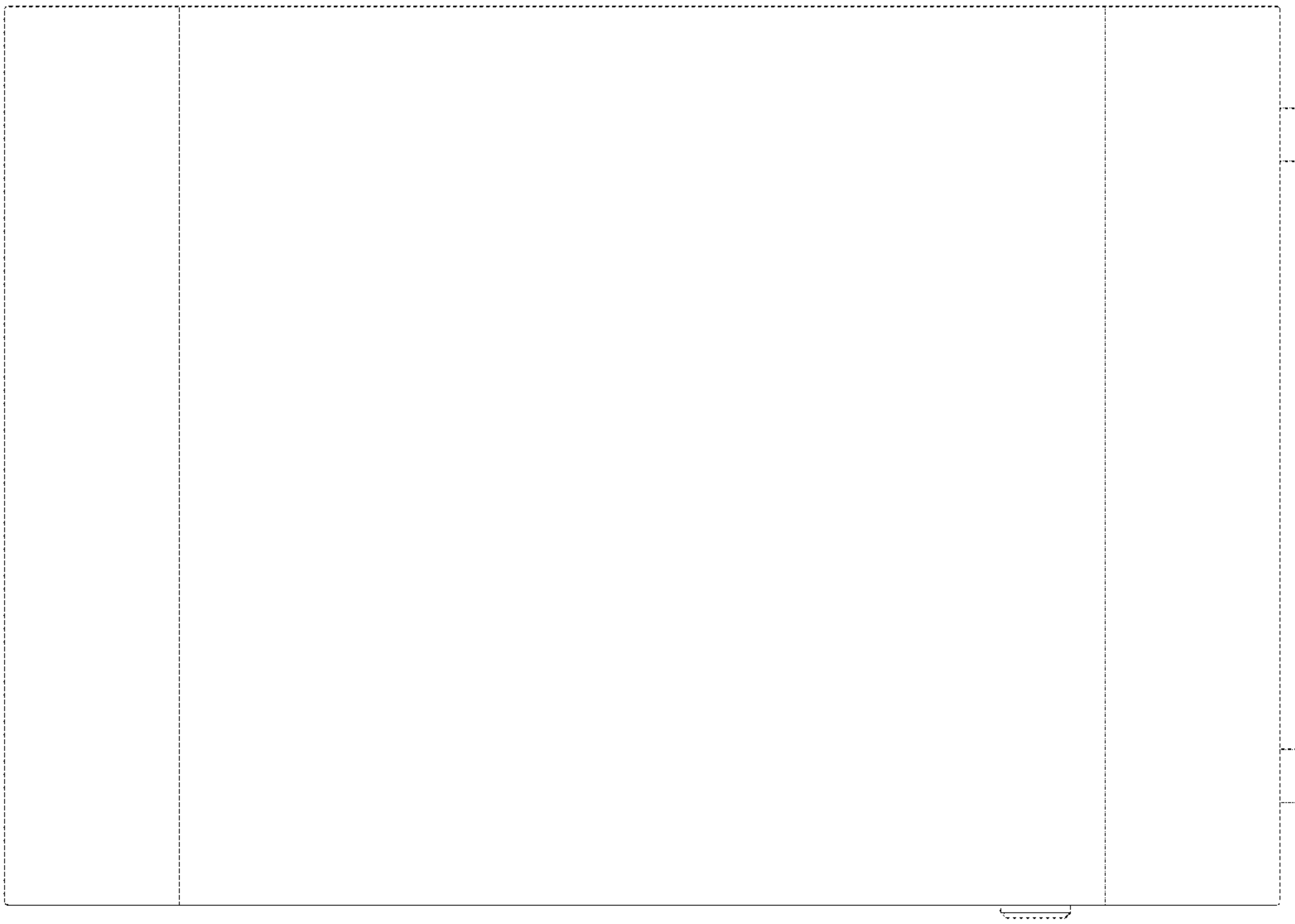


Fig. 3

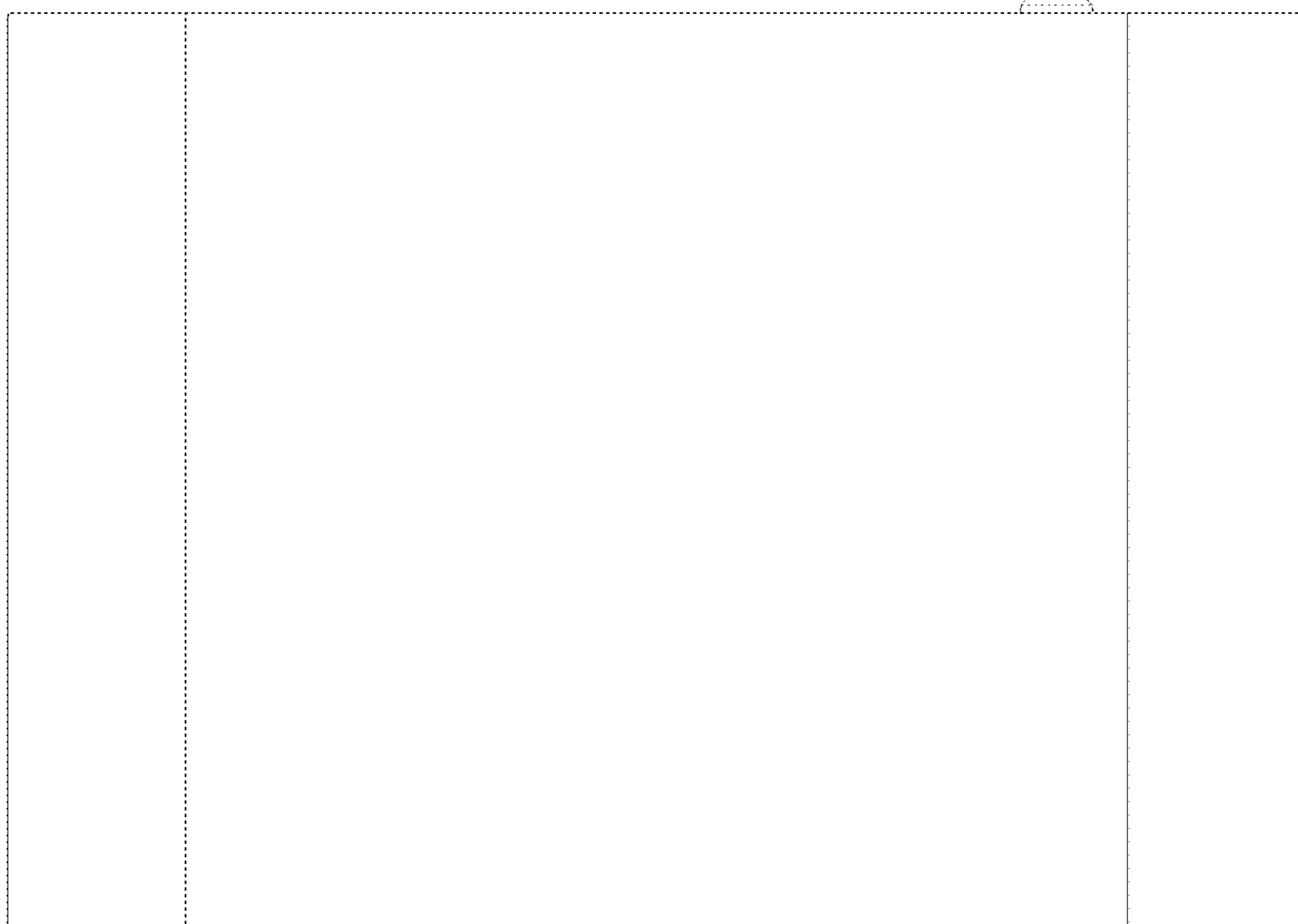


Fig. 4

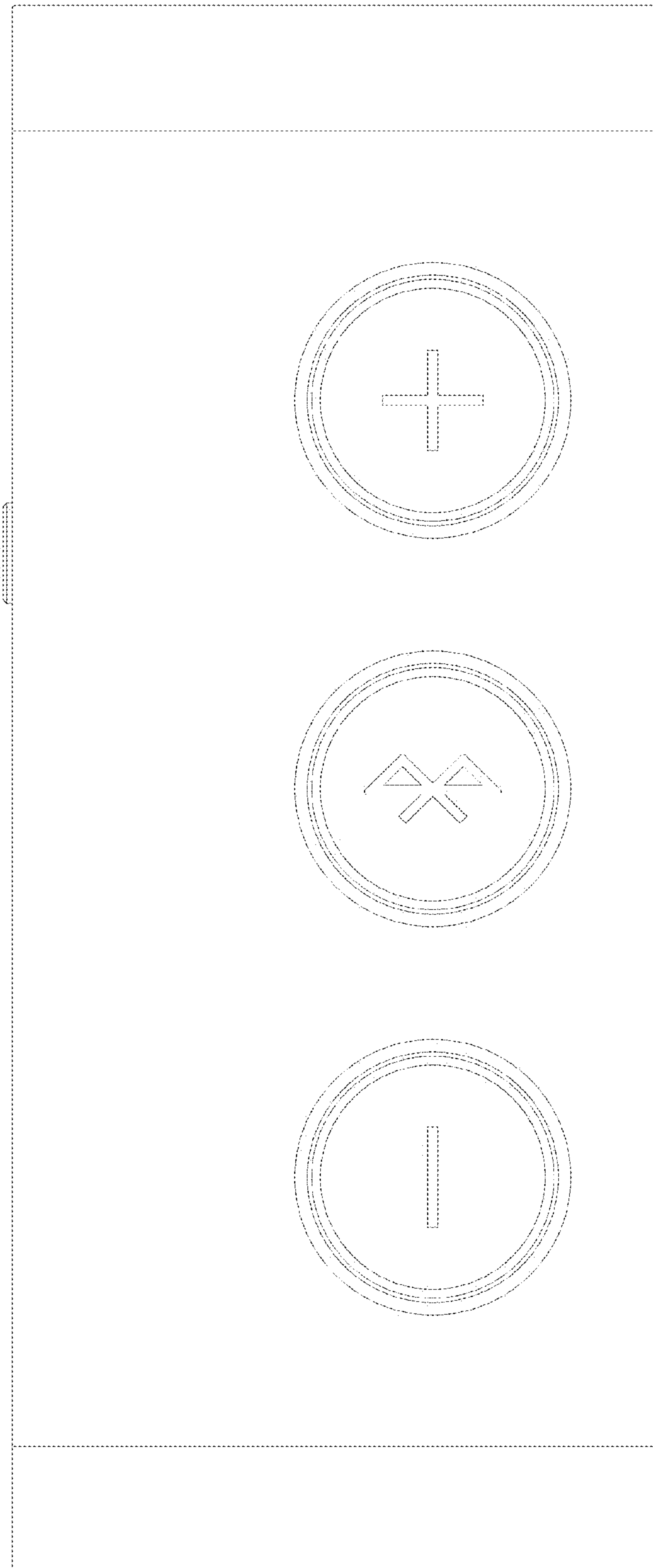


Fig. 5

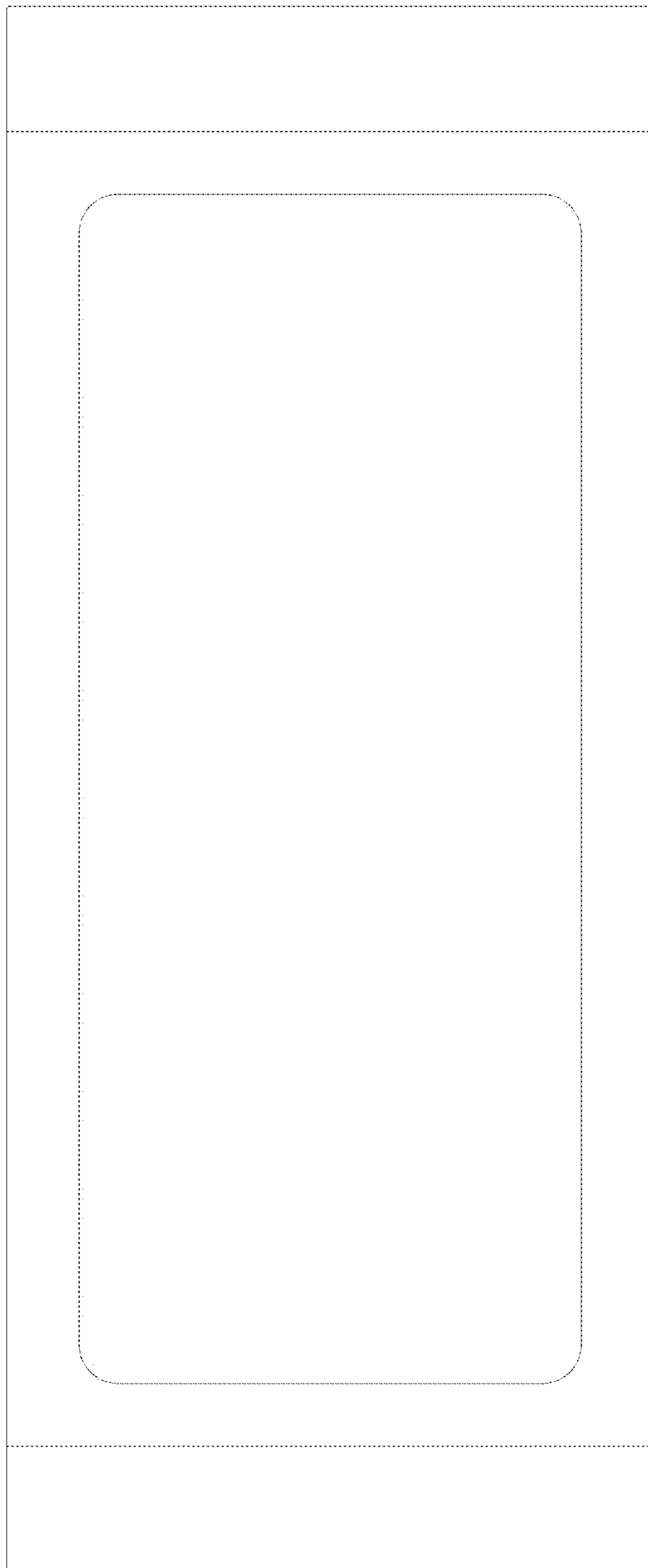


Fig. 6

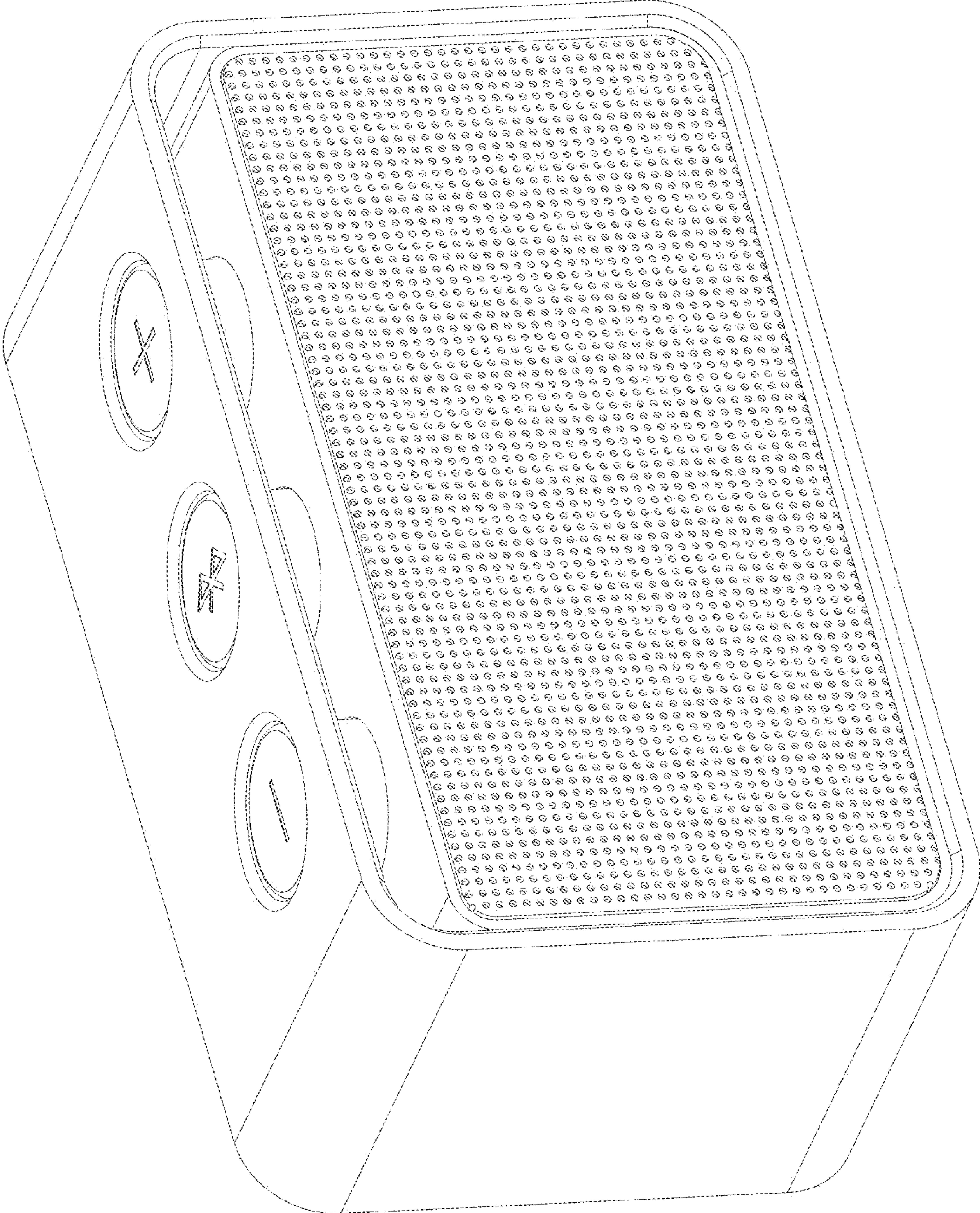


Fig. 7

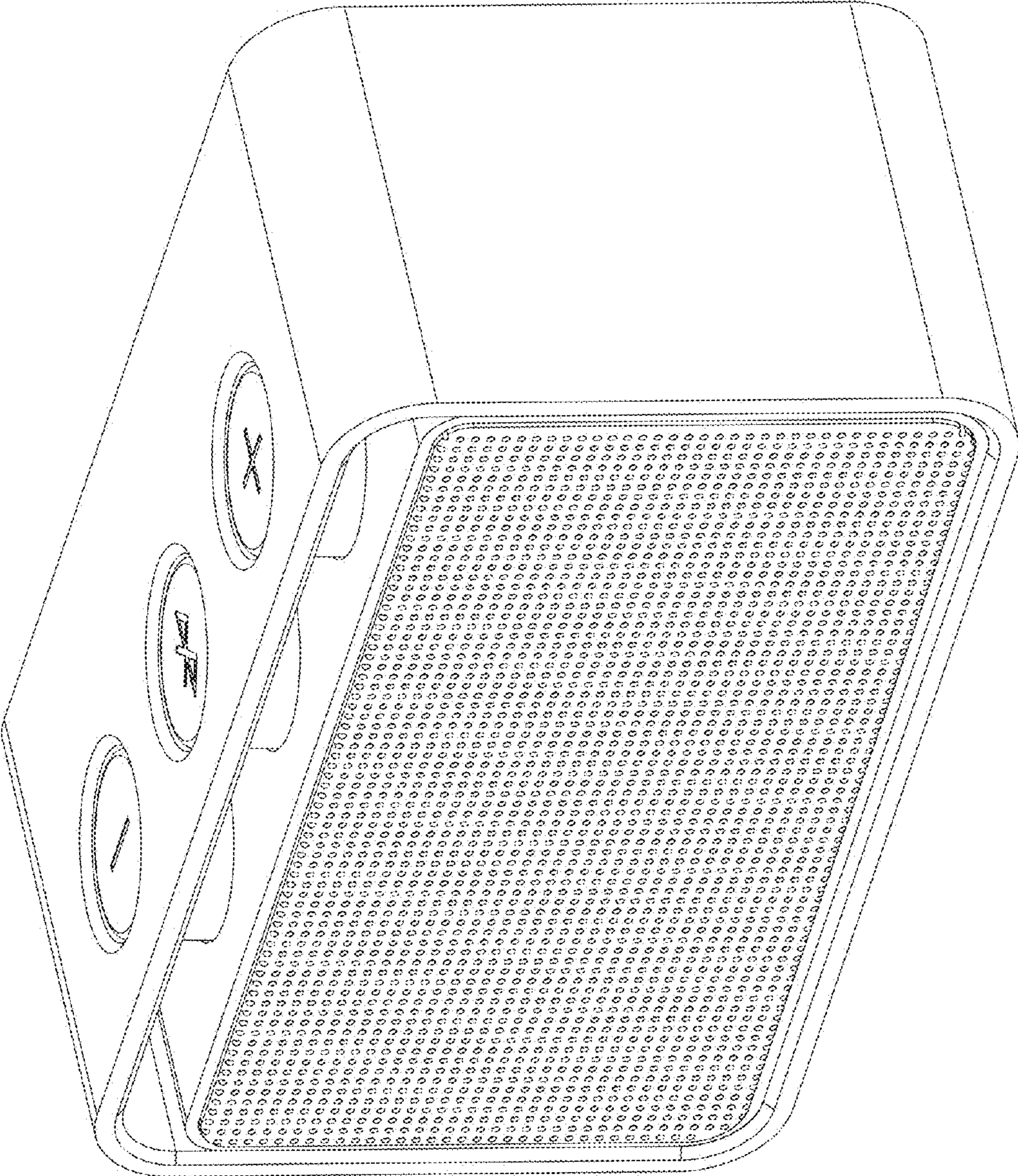


Fig. 8

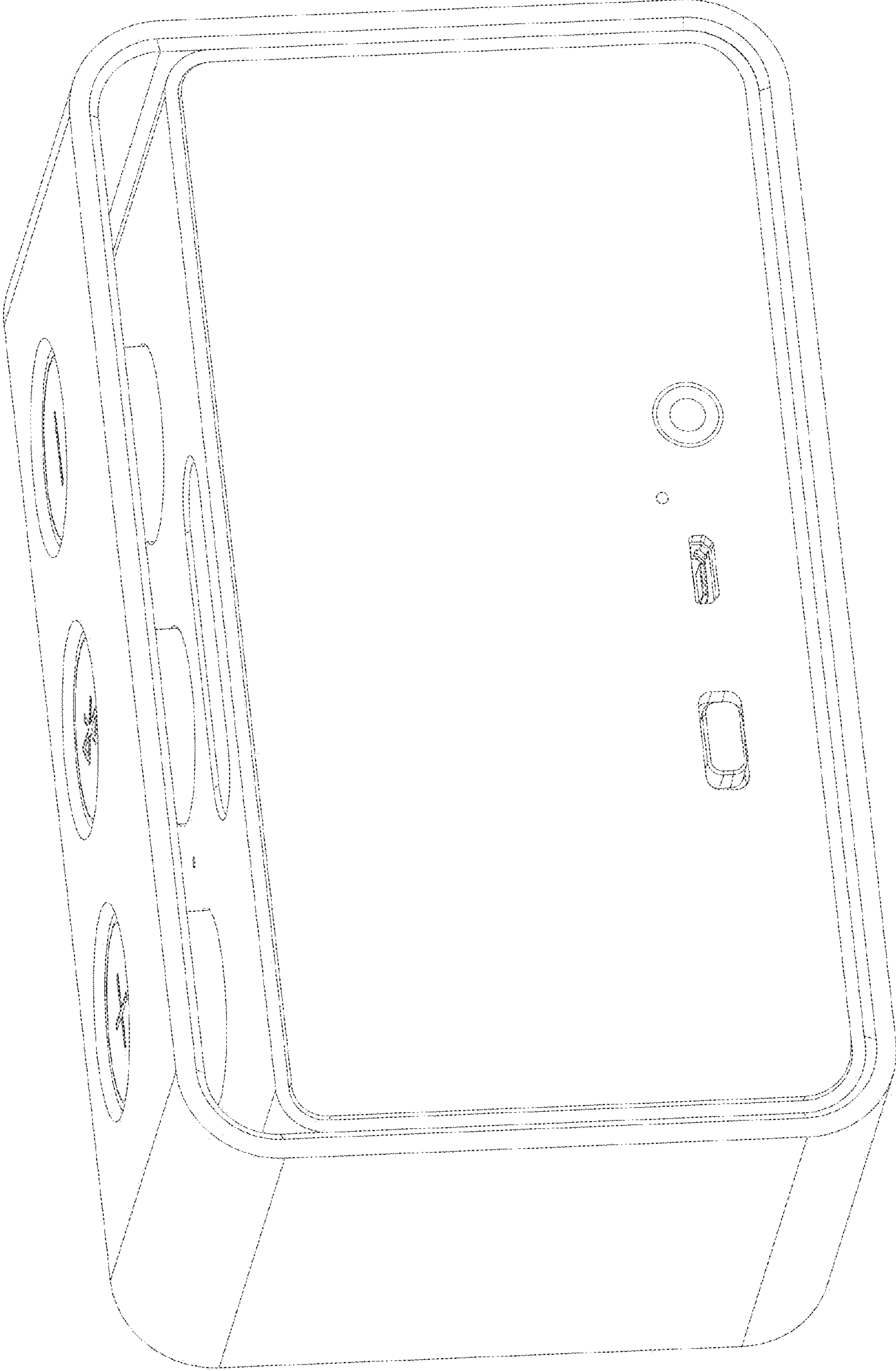


Fig. 9

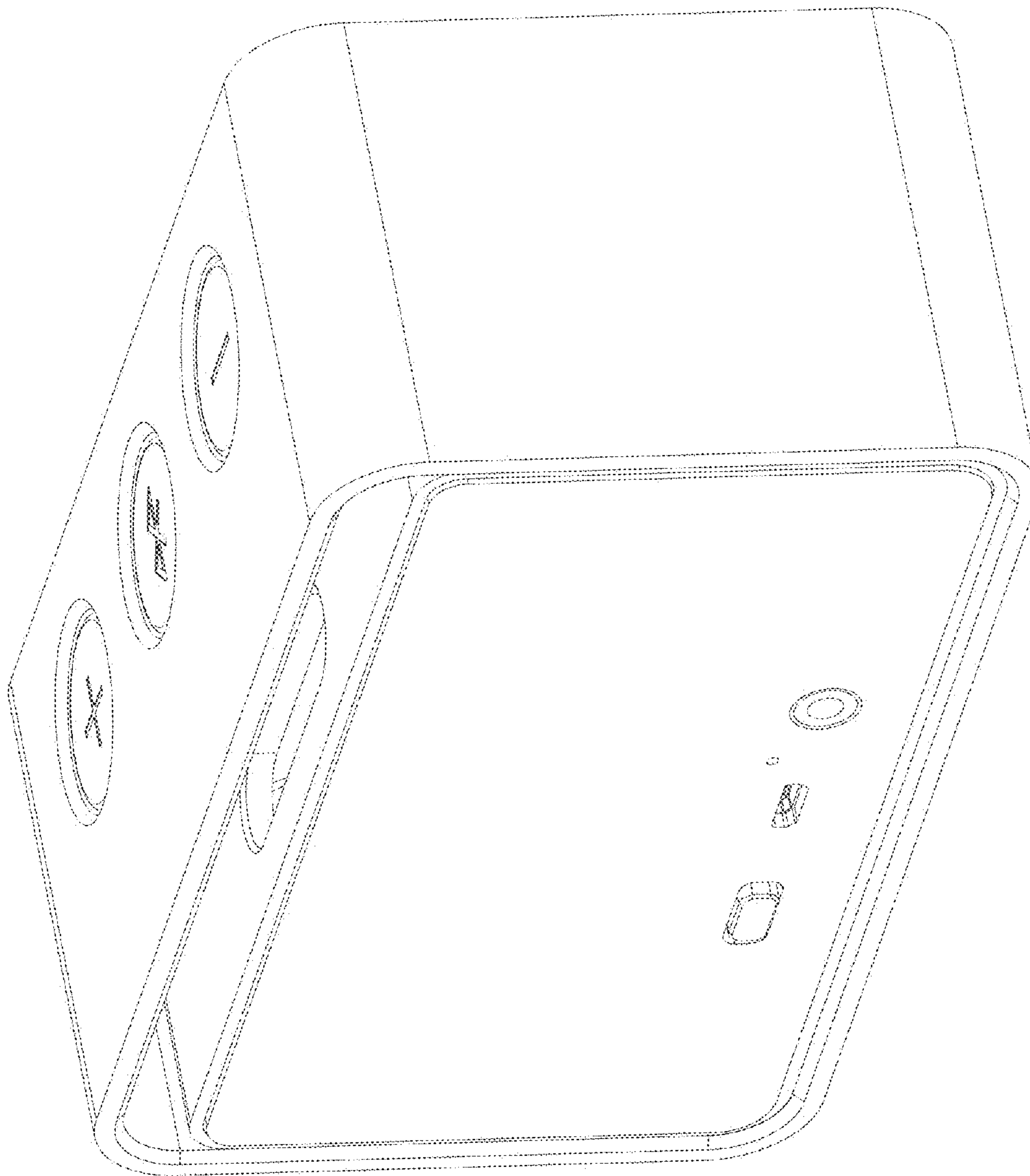


Fig. 10

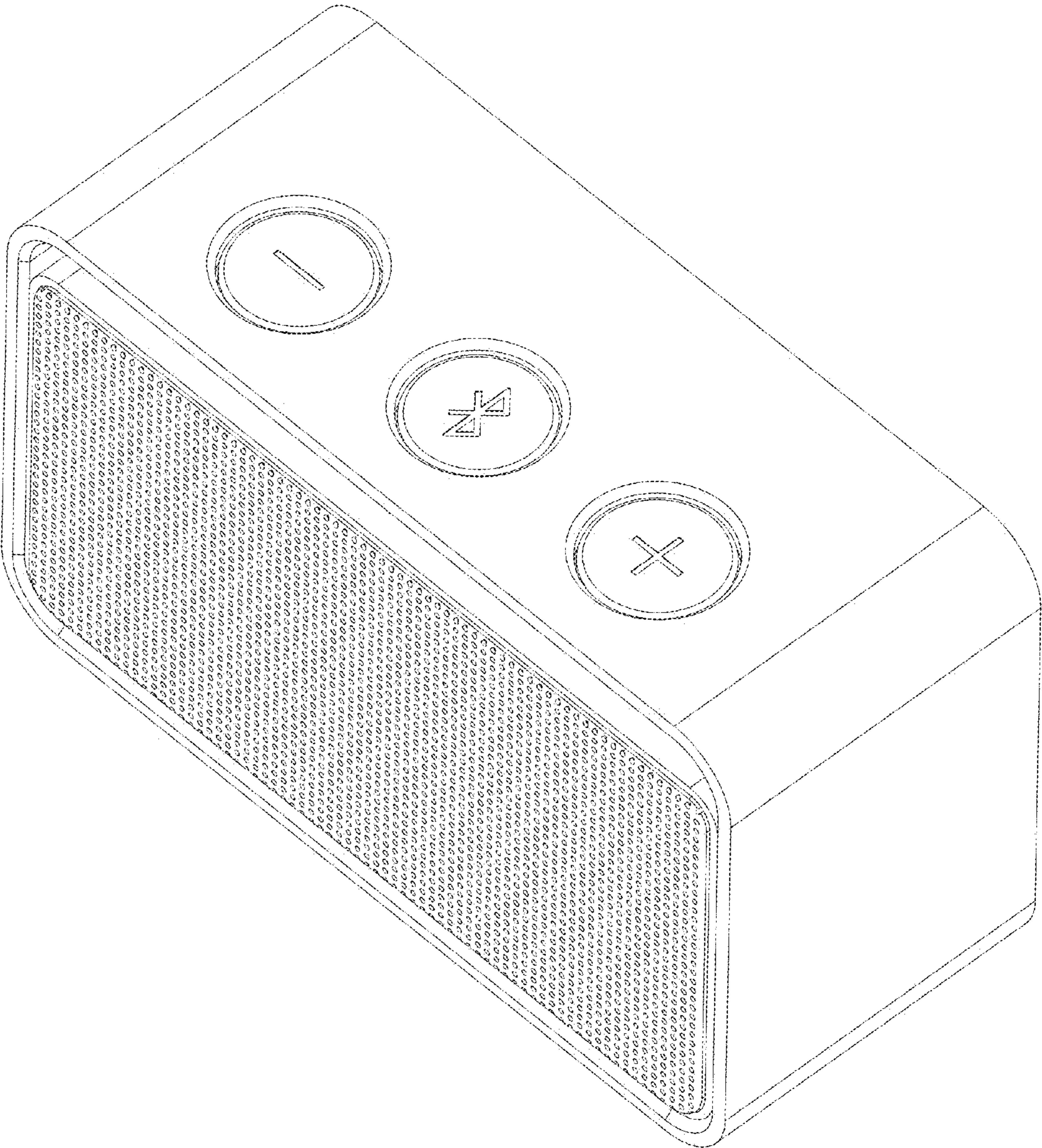


Fig. 11

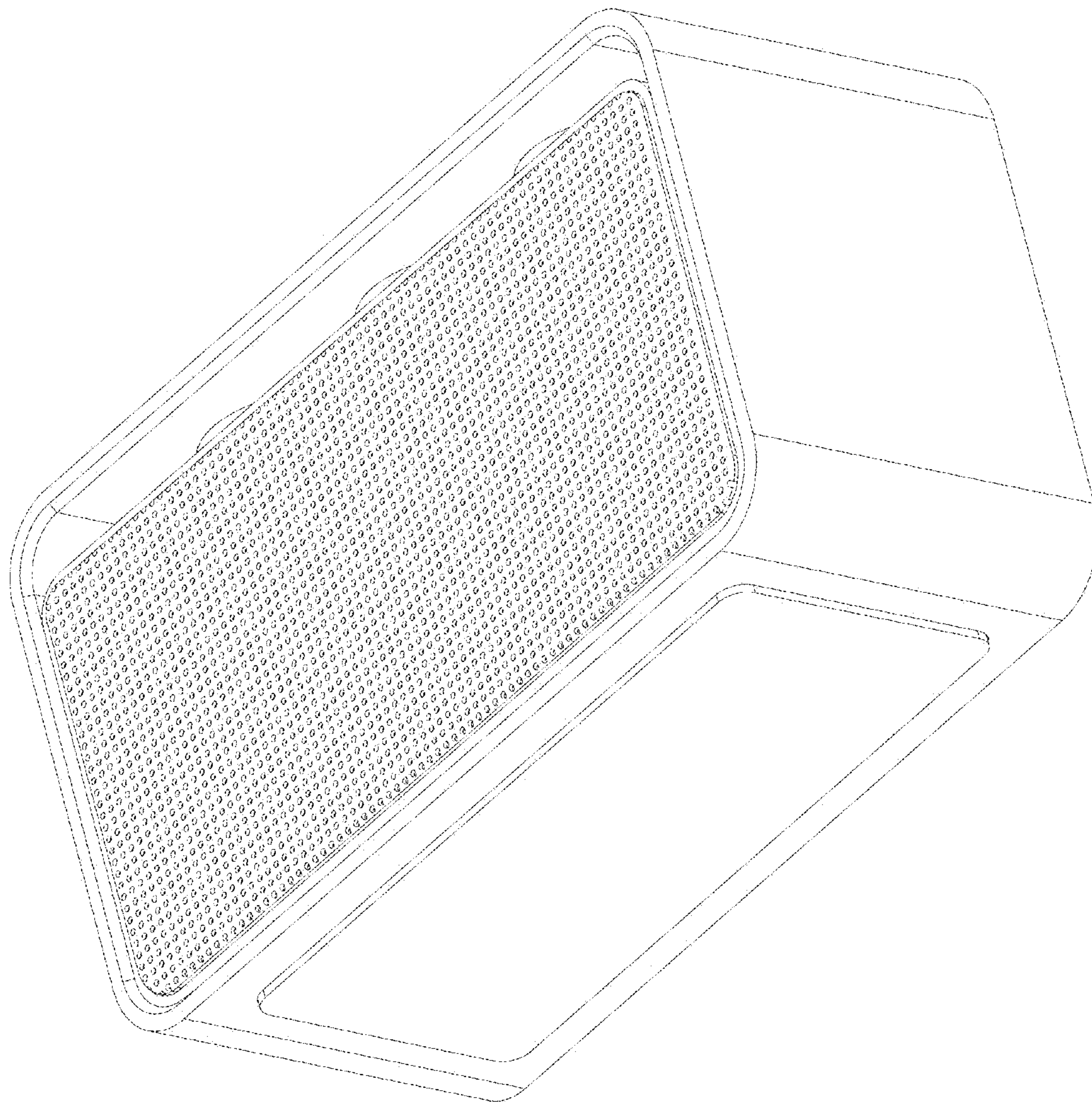


Fig. 12