



US00D729761S

(12) **United States Design Patent**  
**Hu et al.**

(10) **Patent No.:** **US D729,761 S**  
(45) **Date of Patent:** **\*\* May 19, 2015**

(54) **AUDIO AMPLIFIER**

(71) Applicant: **SHENZHEN RAPOO TECHNOLOGY CO., LTD.**, Shenzhen, Guangdong (CN)

(72) Inventors: **Qingjie Hu**, Shenzhen (CN); **Zehai Wang**, Shenzhen (CN)

(73) Assignee: **SHENZHEN RAPOO TECHNOLOGY CO., LTD.**, Shenzhen (CN)

(\*\*) Term: **14 Years**

(21) Appl. No.: **29/476,389**

(22) Filed: **Dec. 12, 2013**

(30) **Foreign Application Priority Data**

Jul. 31, 2013 (CN) ..... 2013 3 0366218

(51) **LOC (10) Cl.** ..... **14-03**

(52) **U.S. Cl.**  
USPC ..... **D14/194; D14/214**

(58) **Field of Classification Search**  
CPC ..... H04B 1/06; H04B 1/08; H04B 1/086;  
H04M 1/04; H04M 1/21; H04W 4/02; H04W  
4/06

USPC ..... D14/496, 498–511, 157, 168–171,  
D14/188–198, 203.1–203.7, 210, 214–216;  
312/7.1; 369/6–12; 370/342–344;  
455/90.1–90.3, 344–355

See application file for complete search history.

(56) **References Cited**

**U.S. PATENT DOCUMENTS**

D334,386 S \* 3/1993 Yamazaki ..... D14/210  
D486,816 S \* 2/2004 Nakajima et al. .... D14/169

D544,371 S \* 6/2007 Bhavnani ..... D10/2  
D557,256 S \* 12/2007 Joseph ..... D14/214  
D580,952 S \* 11/2008 Liu ..... D14/496  
D587,239 S \* 2/2009 Raisanen et al. .... D14/188  
D644,627 S \* 9/2011 Garrett ..... D14/214  
D692,848 S \* 11/2013 Poandl ..... D14/188  
D695,707 S \* 12/2013 Szymanski et al. .... D14/214  
D695,711 S \* 12/2013 Szymanski et al. .... D14/214

\* cited by examiner

*Primary Examiner* — Sandra Morris

(57) **CLAIM**

The ornamental design for audio amplifier, as shown and described.

**DESCRIPTION**

FIG. 1 is a front view of an audio amplifier showing our new design;

FIG. 2 is a rear view thereof;

FIG. 3 is a left side view thereof;

FIG. 4 is a right side view thereof;

FIG. 5 is a top plan view thereof;

FIG. 6 is a bottom plan view thereof;

FIG. 7 is a first perspective view thereof;

FIG. 8 is a second perspective view thereof;

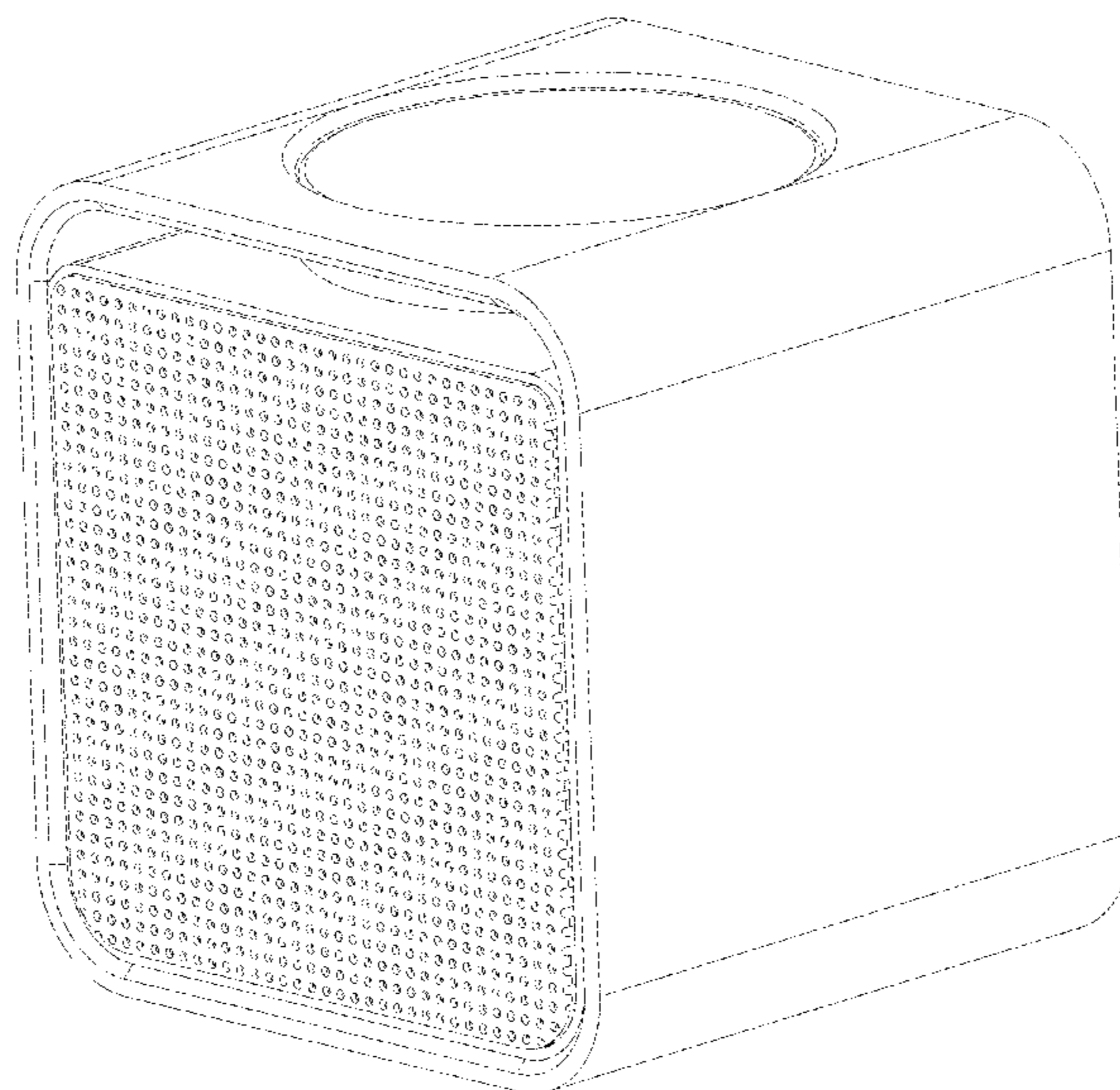
FIG. 9 is a third perspective view thereof;

FIG. 10 is a fourth perspective view thereof;

FIG. 11 is a fifth perspective view thereof; and,

FIG. 12 is a sixth perspective view thereof.

**1 Claim, 12 Drawing Sheets**



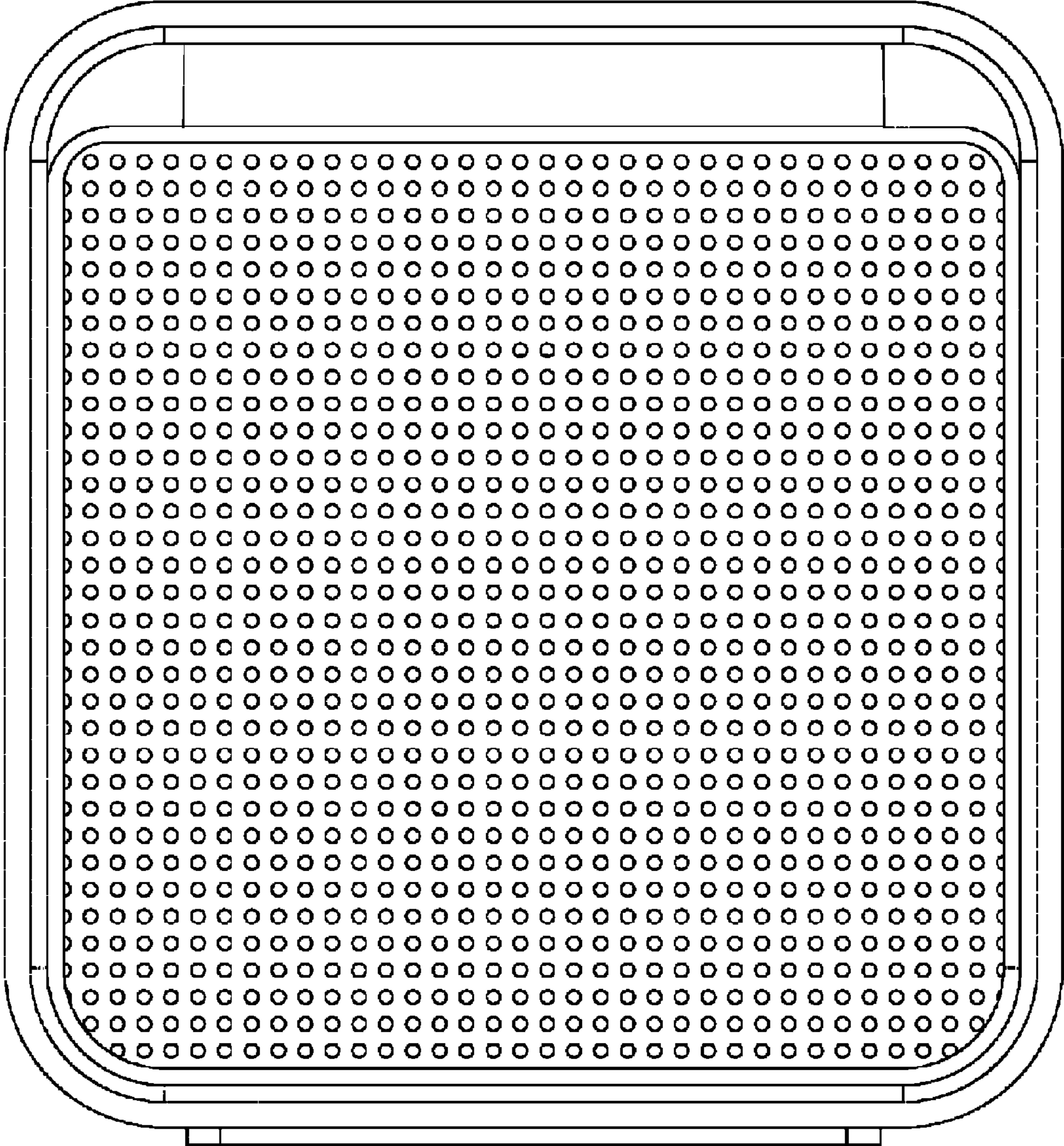


Fig. 1

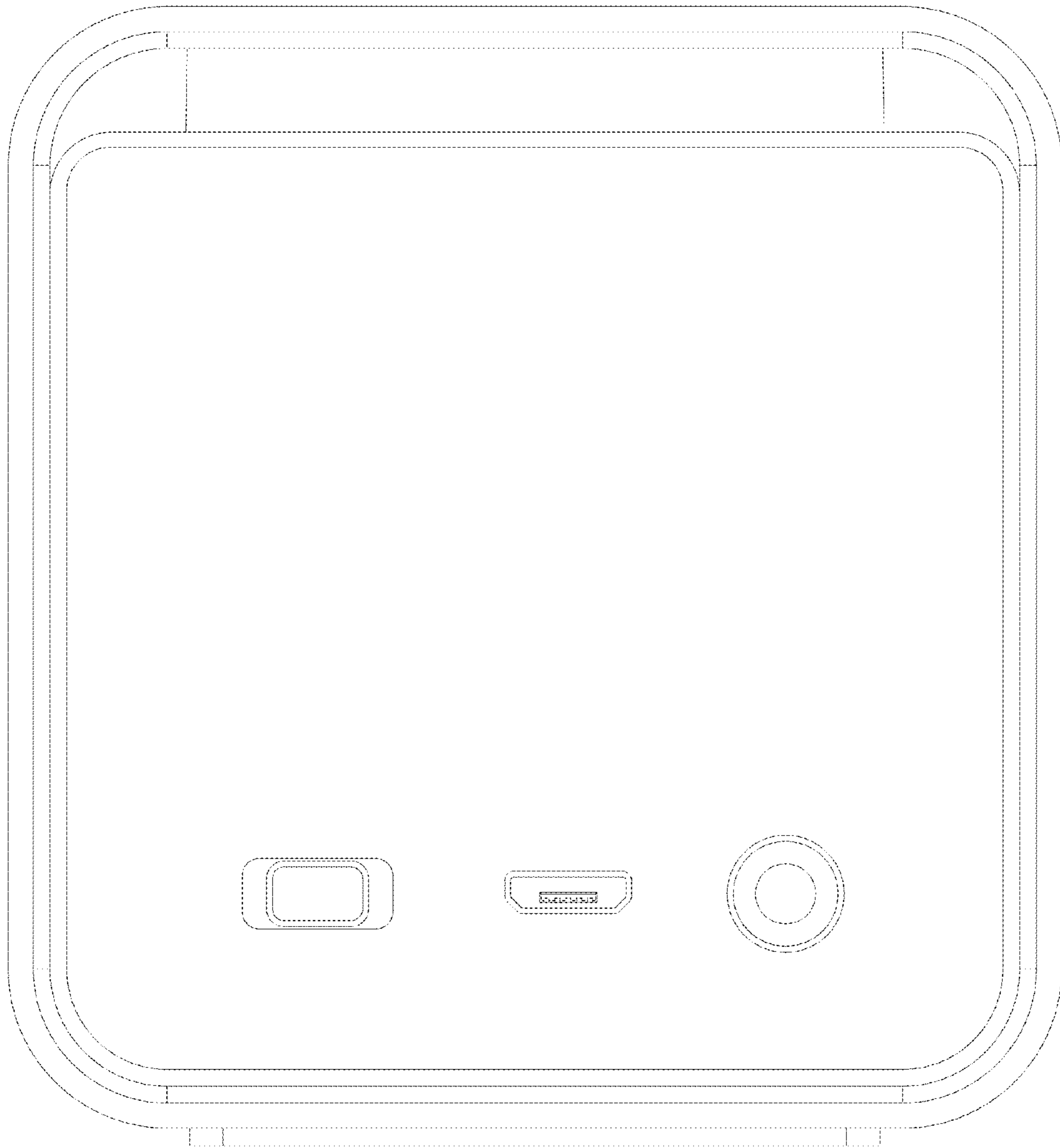


Fig. 2

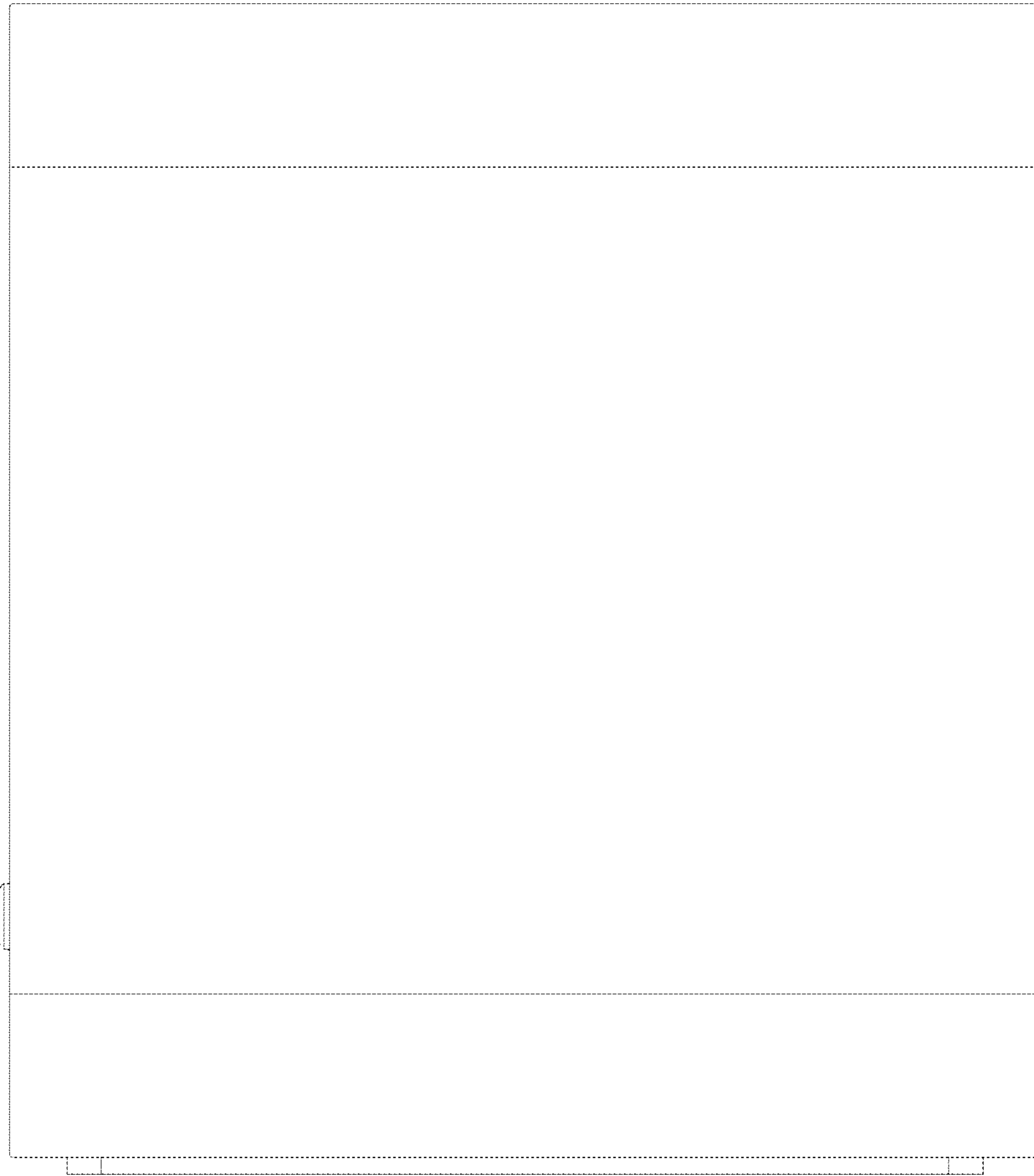


Fig. 3

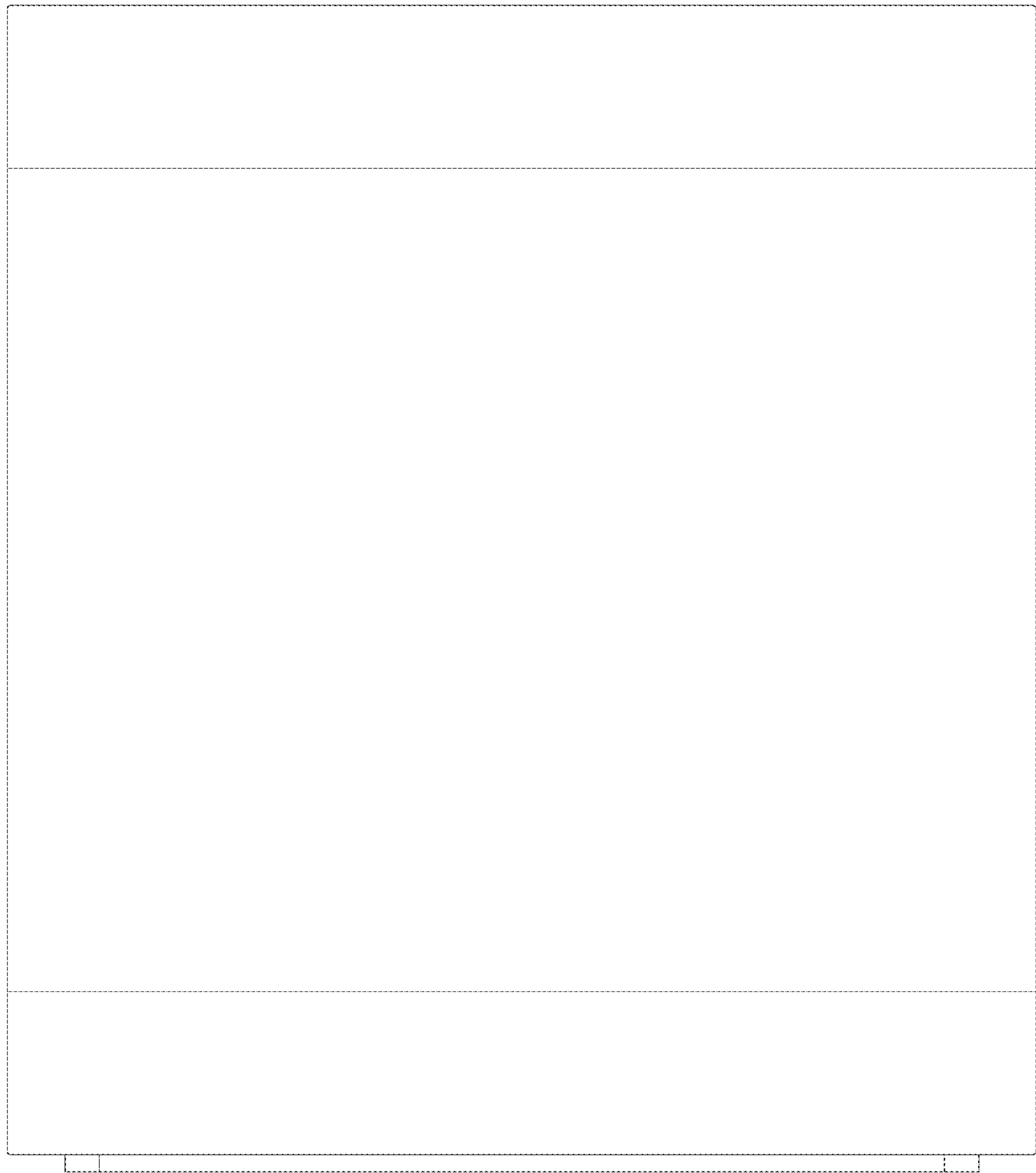


Fig. 4

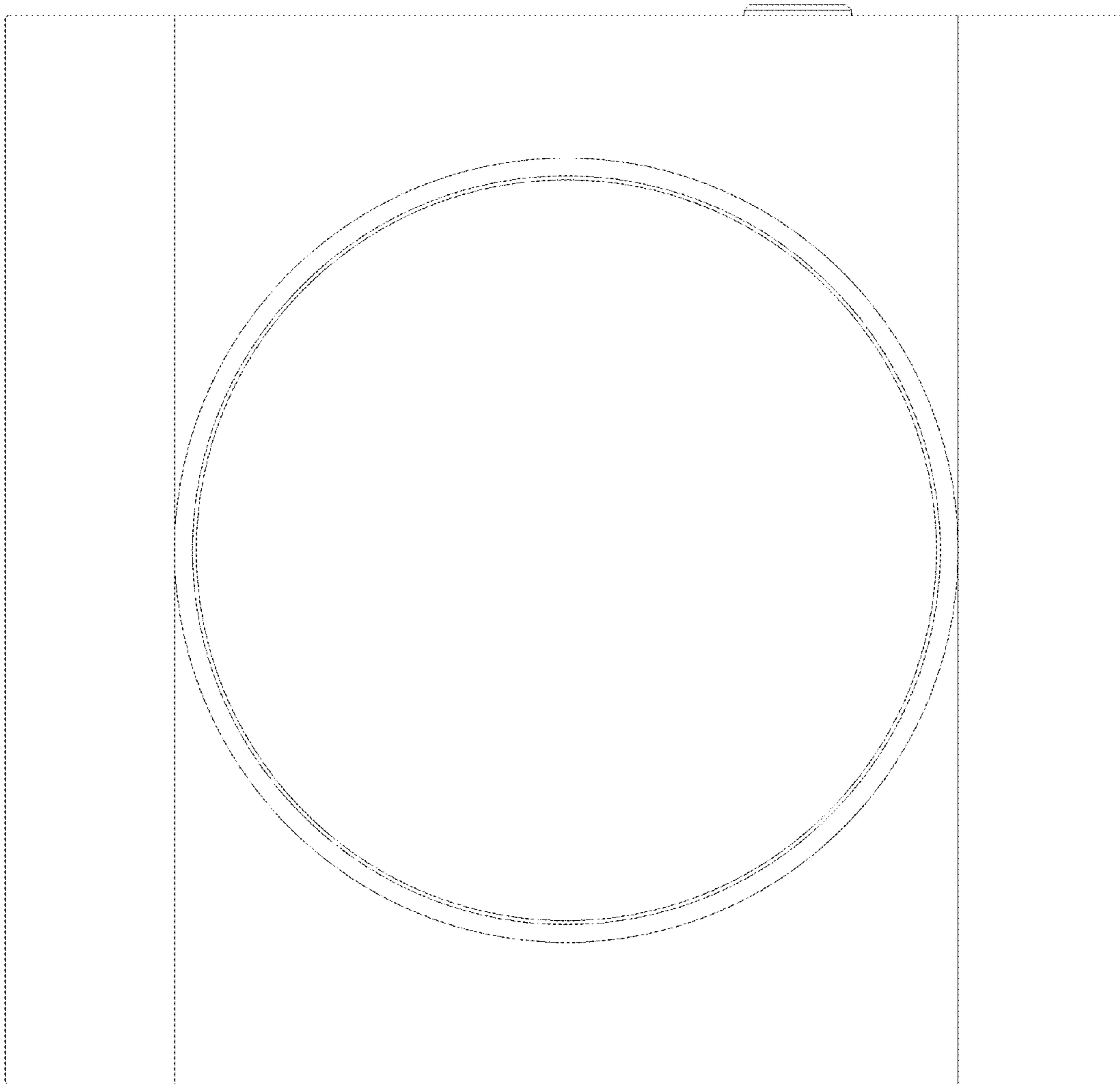


Fig. 5

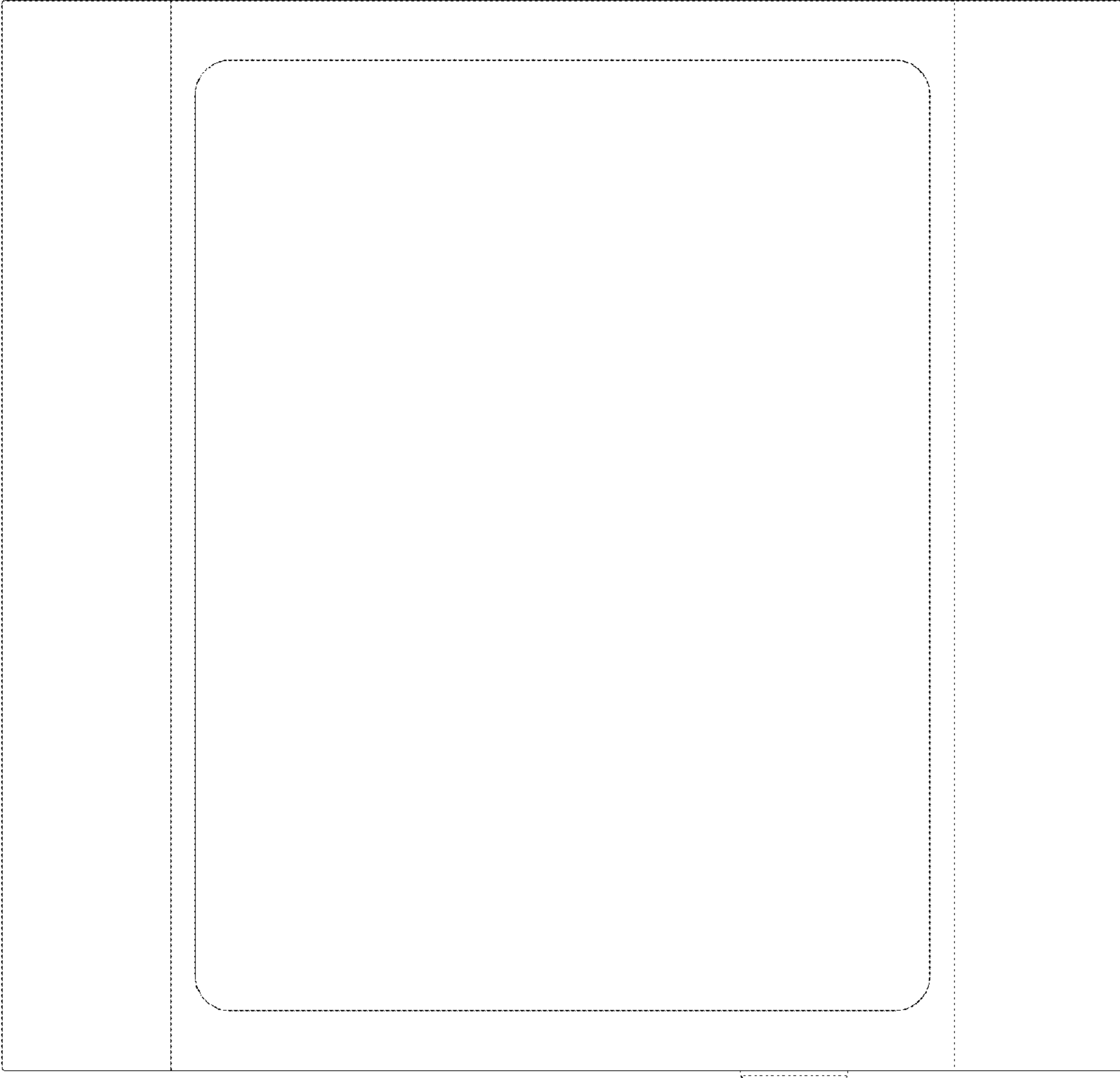


Fig. 6

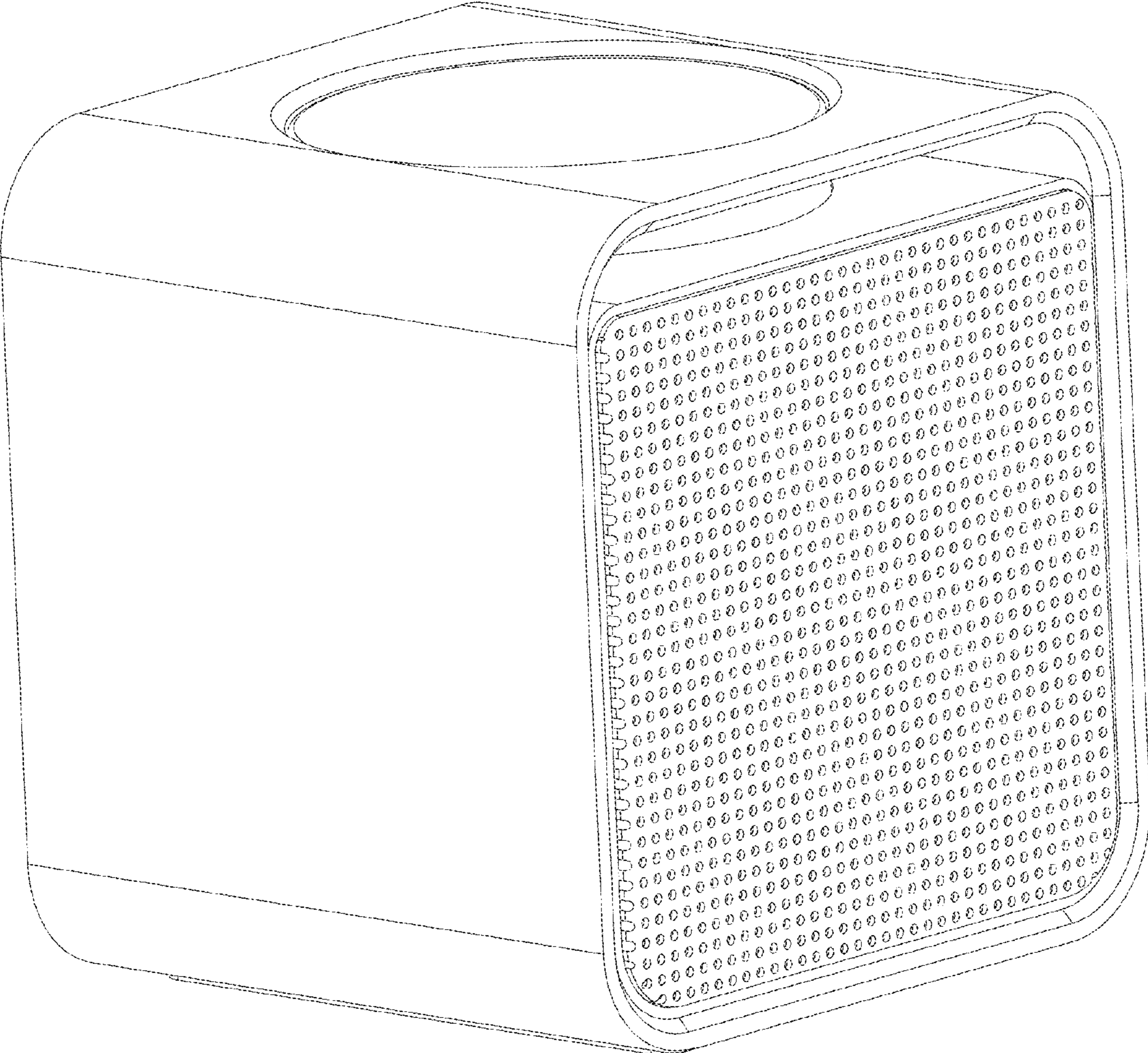


Fig. 7



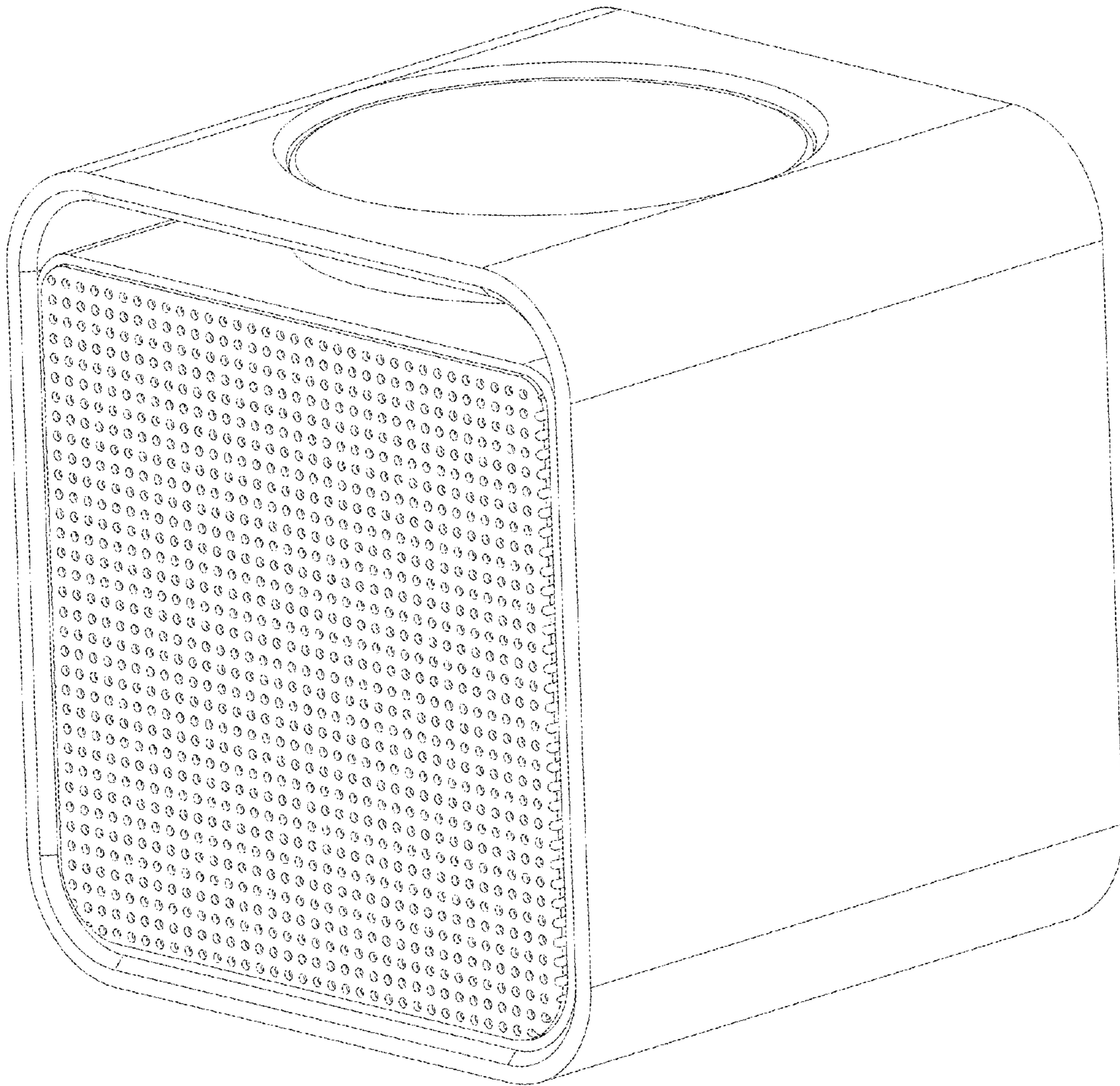


Fig. 8

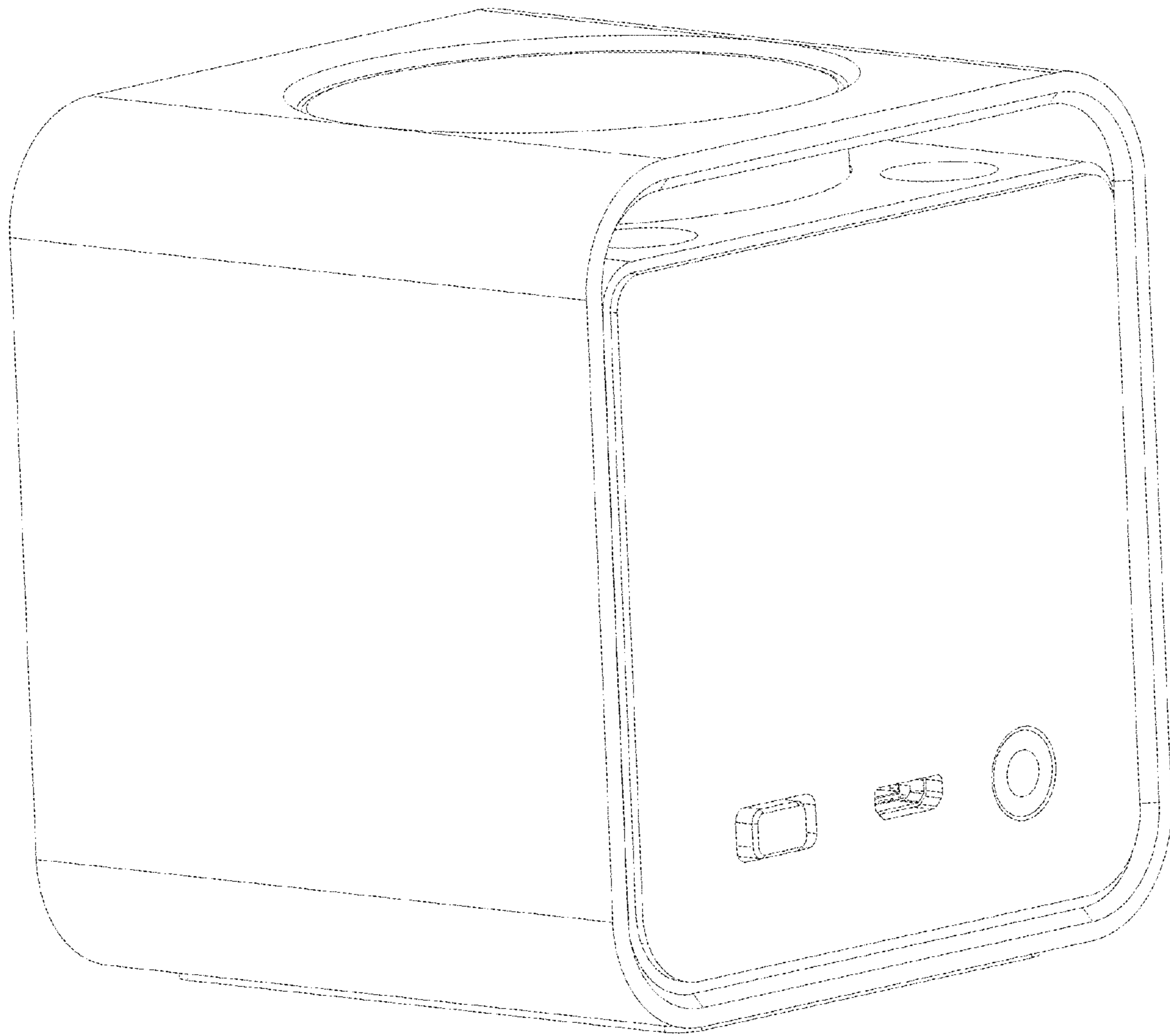


Fig. 9

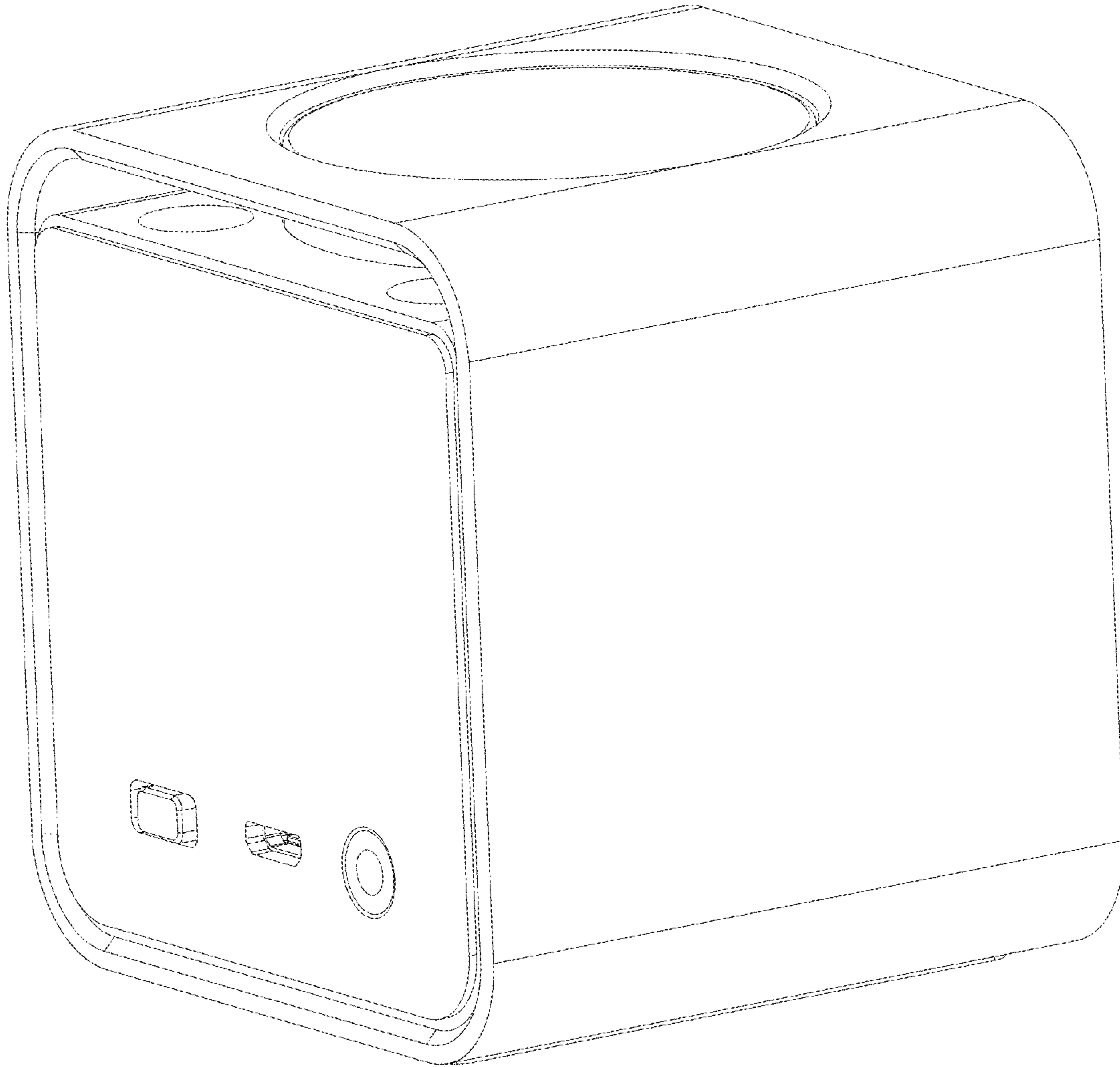


Fig. 10

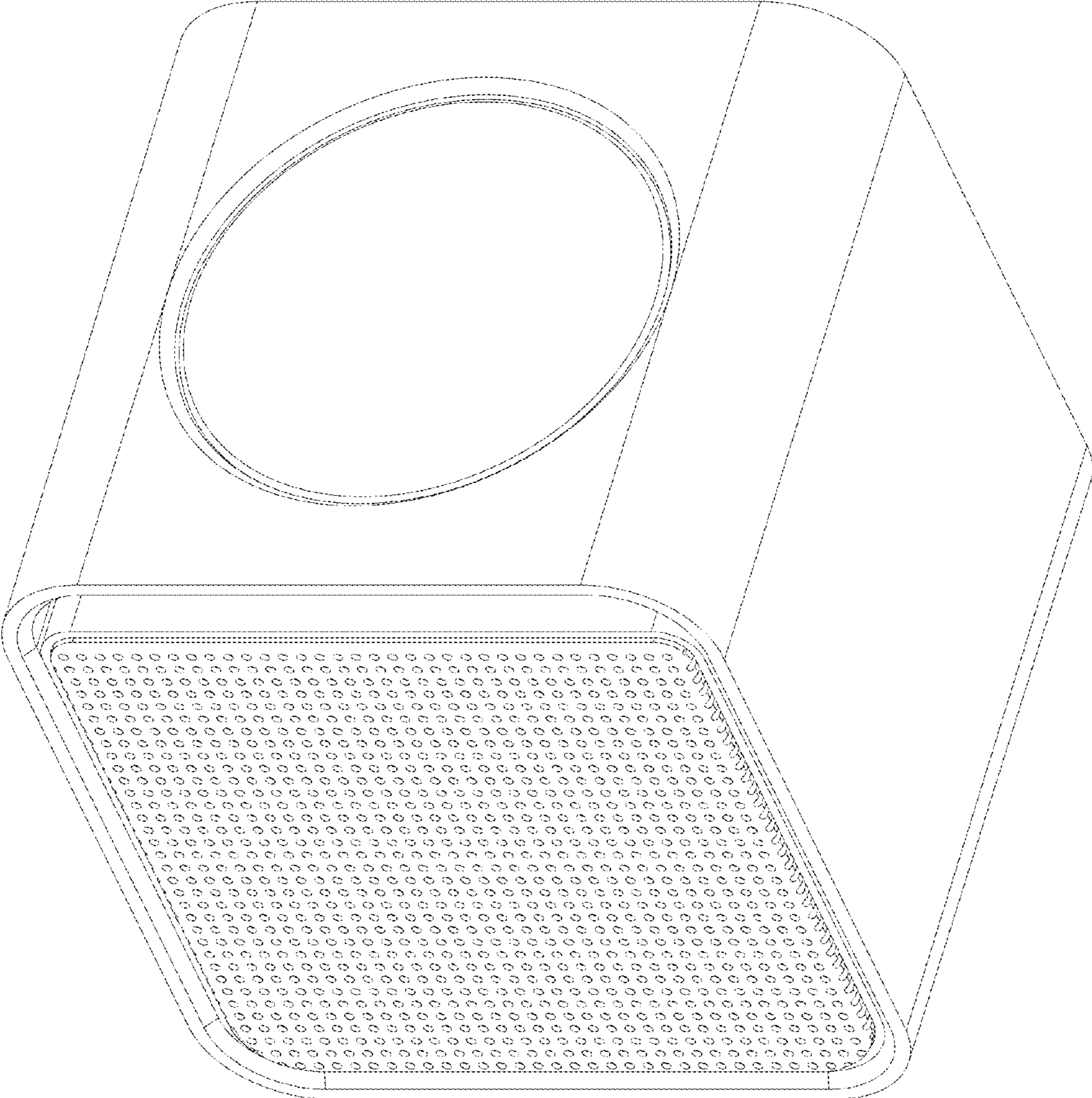


Fig. 11

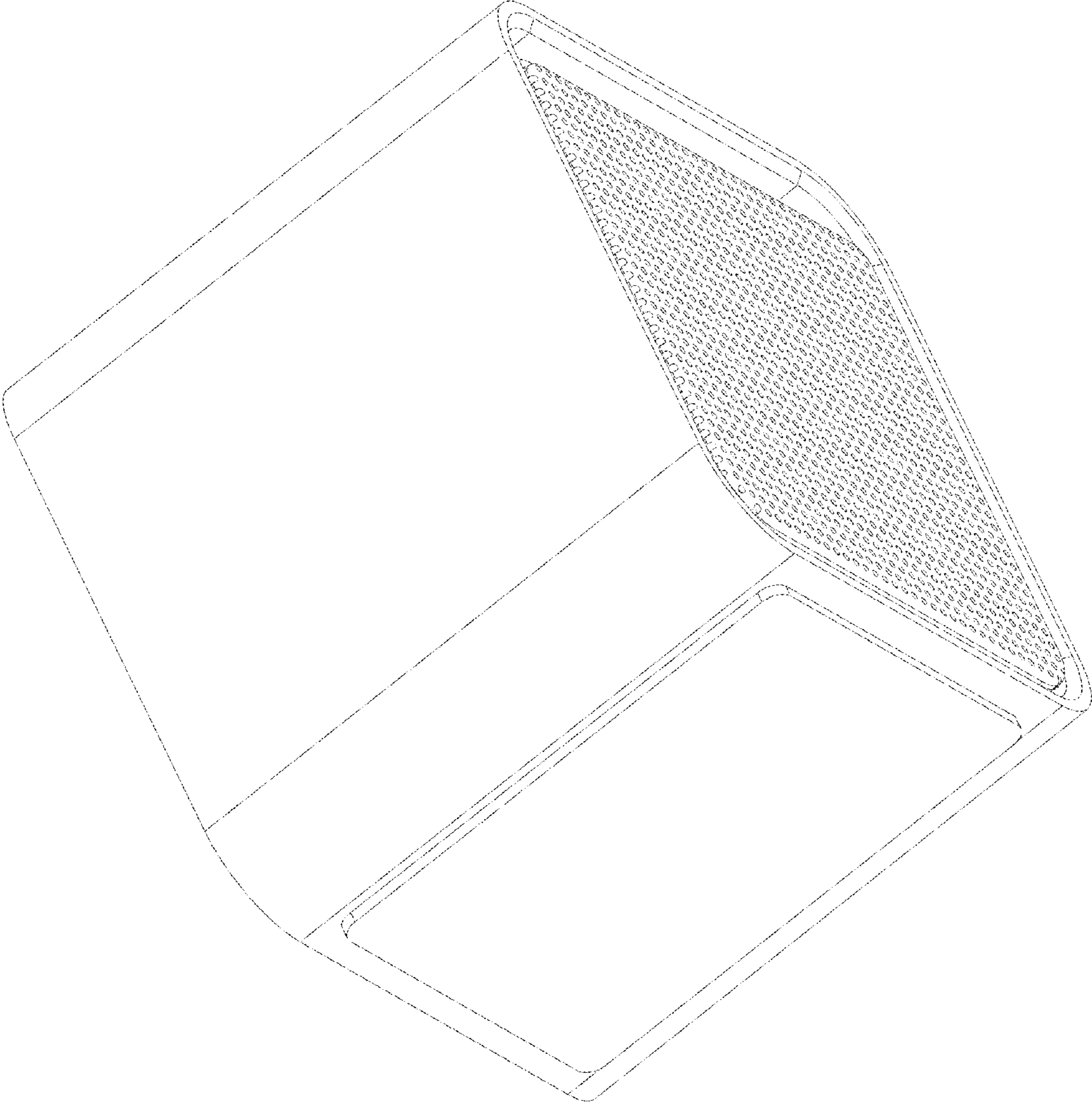


Fig. 12