



US00D729758S

(12) **United States Design Patent**  
**Okita et al.**

(10) **Patent No.:** **US D729,758 S**

(45) **Date of Patent:** **\*\* May 19, 2015**

- (54) **TELEPHONE WITH A DOCKING STATION**
- (71) Applicant: **ShoreTel, Inc.**, Sunnyvale, CA (US)
- (72) Inventors: **Glen Kazumi Okita**, Los Altos, CA (US); **Pejman Roshan**, Los Gatos, CA (US); **Timothy Scott Olson**, San Jose, CA (US)
- (73) Assignee: **SHORETEL, Inc.**, Sunnyvale, CA (US)
- (\*\*) Term: **14 Years**
- (21) Appl. No.: **29/449,334**
- (22) Filed: **Mar. 14, 2013**
- (51) **LOC (10) Cl.** ..... **14-03**
- (52) **U.S. Cl.**  
USPC ..... **D14/151; D14/253**
- (58) **Field of Classification Search**  
USPC ..... D14/151, 140.7, 140.8, 142, 144, 150, D14/155, 158, 159, 188, 217, 226, 229, 240, D14/251-253, 399, 329; D21/517; 455/557, 455/575.1, 74.1; 710/303; D10/65; D13/107, 108, 168  
See application file for complete search history.

(56) **References Cited**

**U.S. PATENT DOCUMENTS**

D299,030	S	*	12/1988	Menn	.....	D14/329
D359,491	S	*	6/1995	Iseli	.....	D14/151
5,903,645	A	*	5/1999	Tsay	.....	379/455
6,038,314	A	*	3/2000	Dynie et al.	.....	379/435
D457,152	S	*	5/2002	Nam	.....	D14/151
6,445,793	B1	*	9/2002	Vassallo et al.	.....	379/428.01
D496,652	S	*	9/2004	Fahrendorff	.....	D14/240
D511,761	S	*	11/2005	Robinson et al.	.....	D14/151
D515,063	S	*	2/2006	Yanagisawa et al.	.....	D14/151
D520,983	S	*	5/2006	Siebke	.....	D14/144
D575,263	S	*	8/2008	Brown et al.	.....	D14/151
D576,146	S	*	9/2008	Brown et al.	.....	D14/151
D605,615	S	*	12/2009	Fuxen	.....	D14/130
D638,817	S	*	5/2011	Fleming et al.	.....	D14/145
D638,818	S	*	5/2011	Fleming et al.	.....	D14/145

D653,232	S	*	1/2012	Jones et al.	.....	D14/144
D671,935	S	*	12/2012	Mao	.....	D14/253
2002/0090919	A1	*	7/2002	Hofman	.....	455/90
2003/0059003	A1	*	3/2003	Lewis	.....	379/88.13
2005/0015516	A1	*	1/2005	Ju	.....	709/250
2005/0202810	A1	*	9/2005	LaPallo	.....	455/426.1
2012/0046074	A1	*	2/2012	Gittleman et al.	.....	455/557
2012/0321057	A1	*	12/2012	Goodman et al.	.....	379/90.01

(Continued)

*Primary Examiner* — Susan Bennett Hattan

*Assistant Examiner* — Marie Fast Horse

(74) *Attorney, Agent, or Firm* — Kilpatrick Townsend & Stockton LLP

(57) **CLAIM**

The ornamental design for a telephone with a docking station, as shown and described.

**DESCRIPTION**

FIG. 1 is a perspective view of a telephone with a docking station showing our new design, shown with the dock “arm” in a first position;

FIG. 2 is a perspective view of the telephone with a docking station of FIG. 1, shown with the dock “arm” in a second position;

FIG. 3 is a top plan view of the telephone with a docking station of FIG. 1;

FIG. 4 is a bottom plan view thereof;

FIG. 5 is a rear elevational view thereof;

FIG. 6 is a front elevational view thereof;

FIG. 7 is a right side elevational view thereof;

FIG. 8 is a left side elevational view thereof;

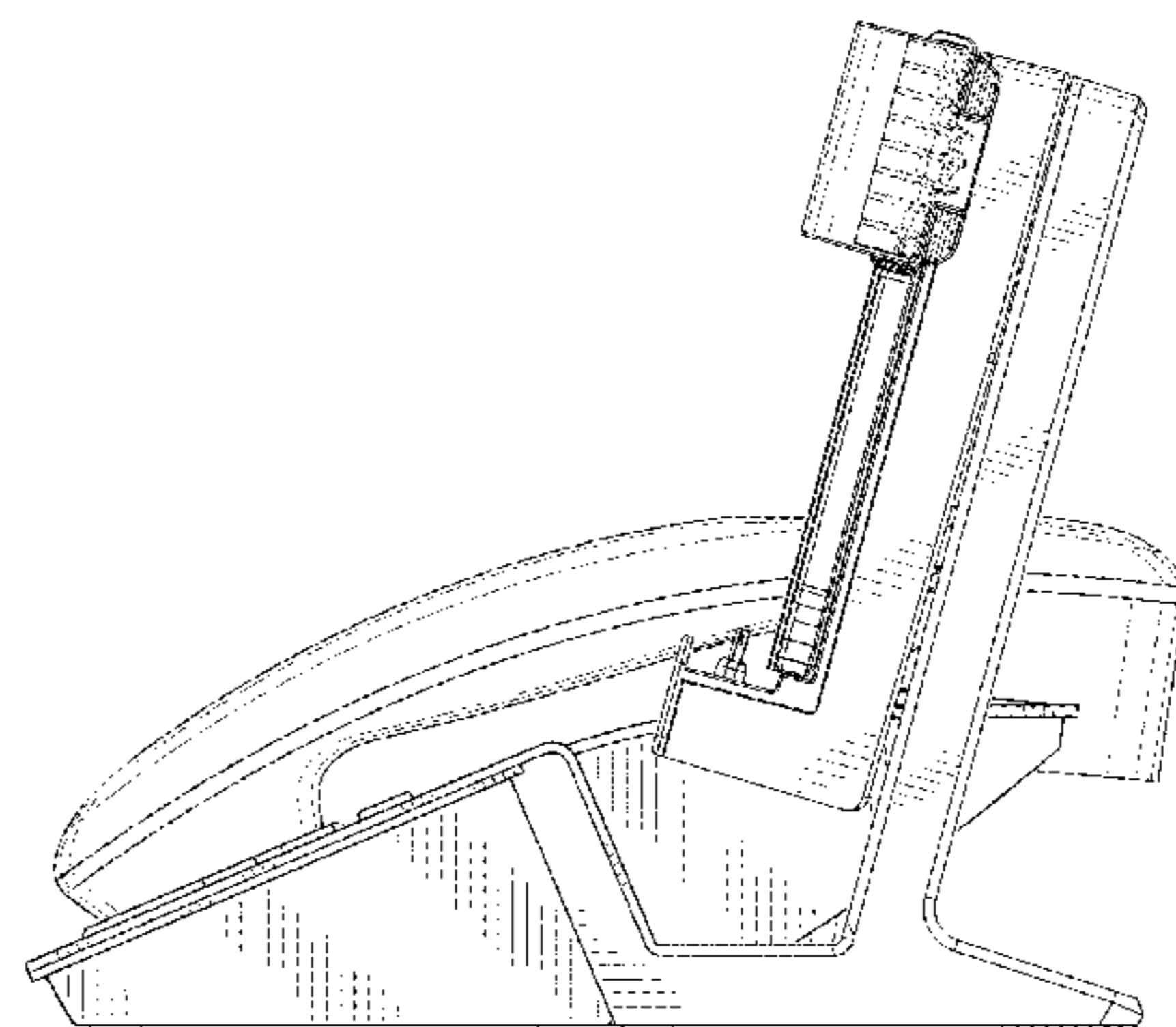
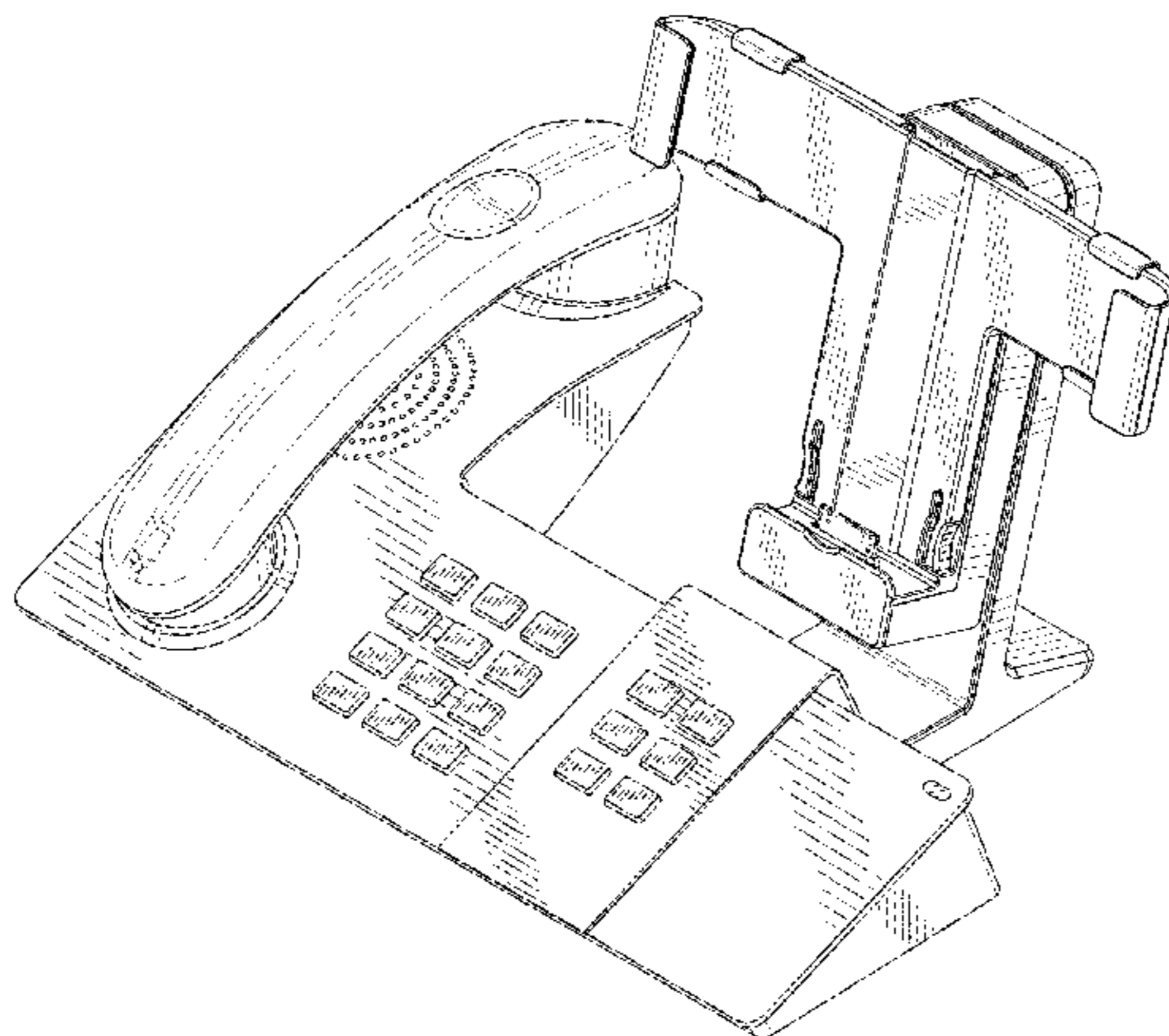
FIG. 9 shows the telephone with a docking station of FIG. 1 with the dock “arm” in a removed position;

FIG. 10 shows the telephone with a docking station of FIG. 1 when supporting a device in a portrait mode; and,

FIG. 11 shows the telephone with a docking station of FIG. 2 when supporting a device in a landscape mode.

The portions of the telephone with a docking station shown in broken lines form no part of the claimed design.

**1 Claim, 11 Drawing Sheets**



(56)

**References Cited**

2013/0225096 A1\* 8/2013 Elter et al. .... 455/74.1  
2014/0066137 A1\* 3/2014 Sorondo ..... 455/575.1

U.S. PATENT DOCUMENTS

2013/0219098 A1\* 8/2013 Turnpenny et al. .... 710/303 \* cited by examiner

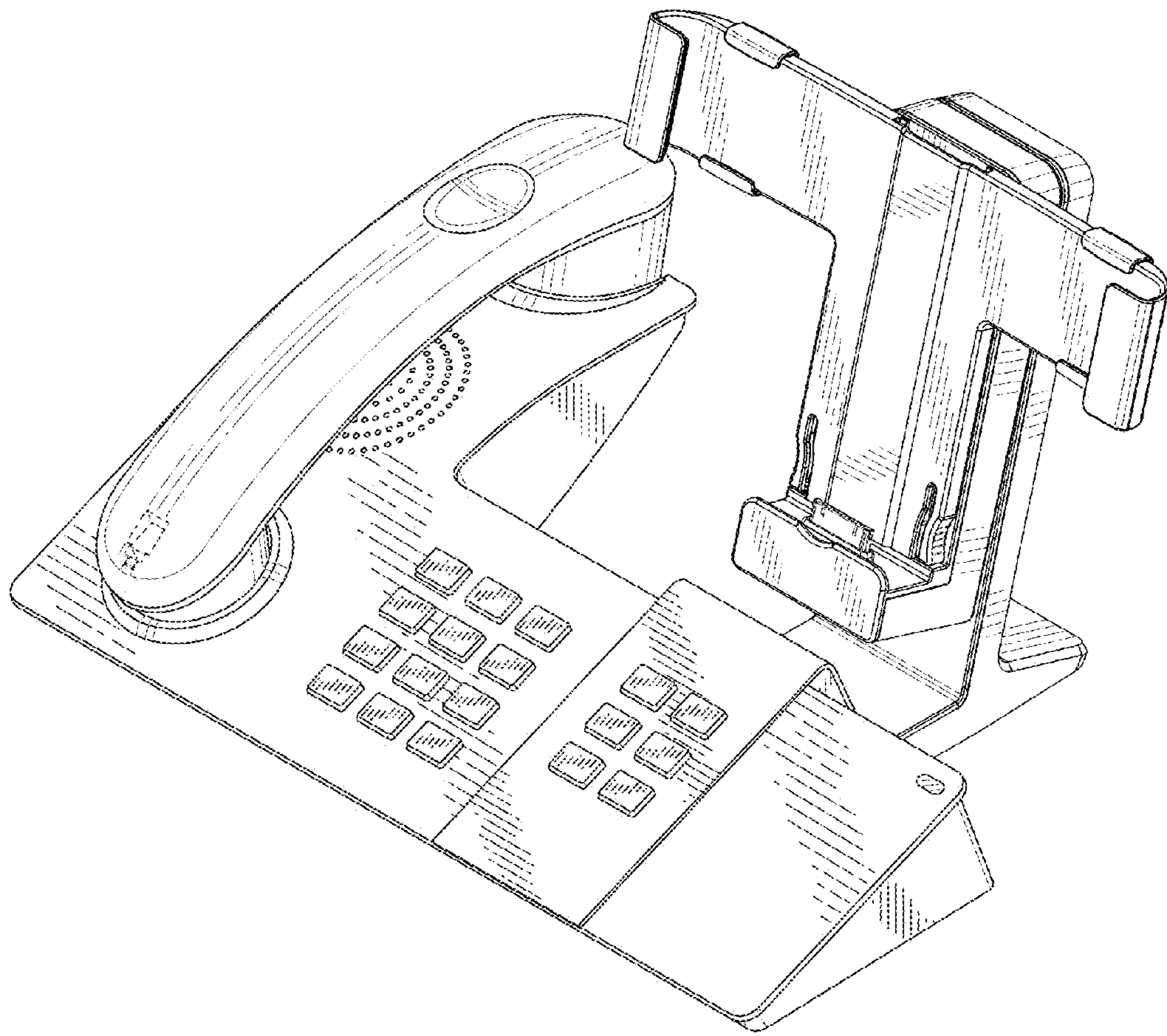


FIG. 1

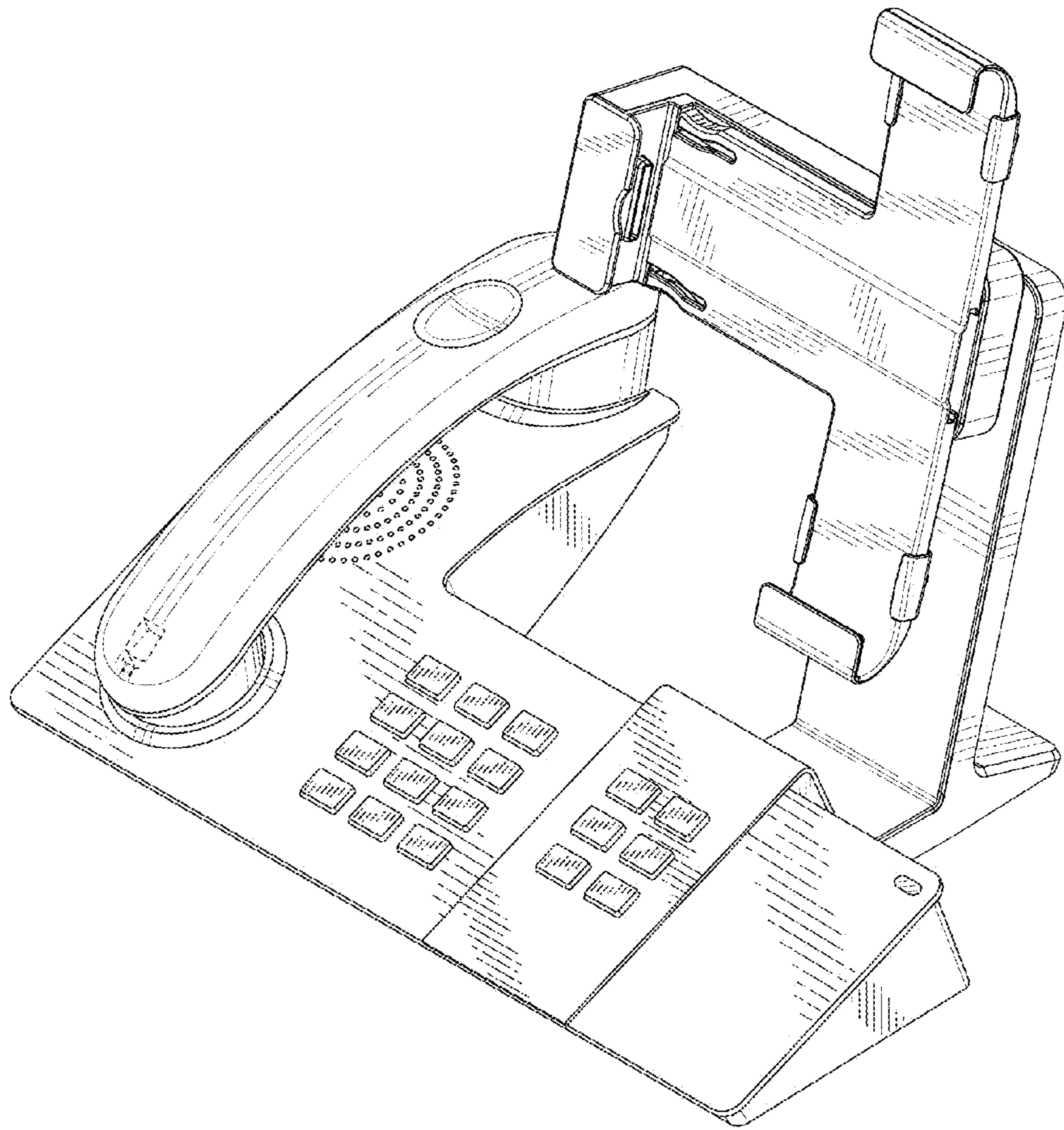


FIG. 2

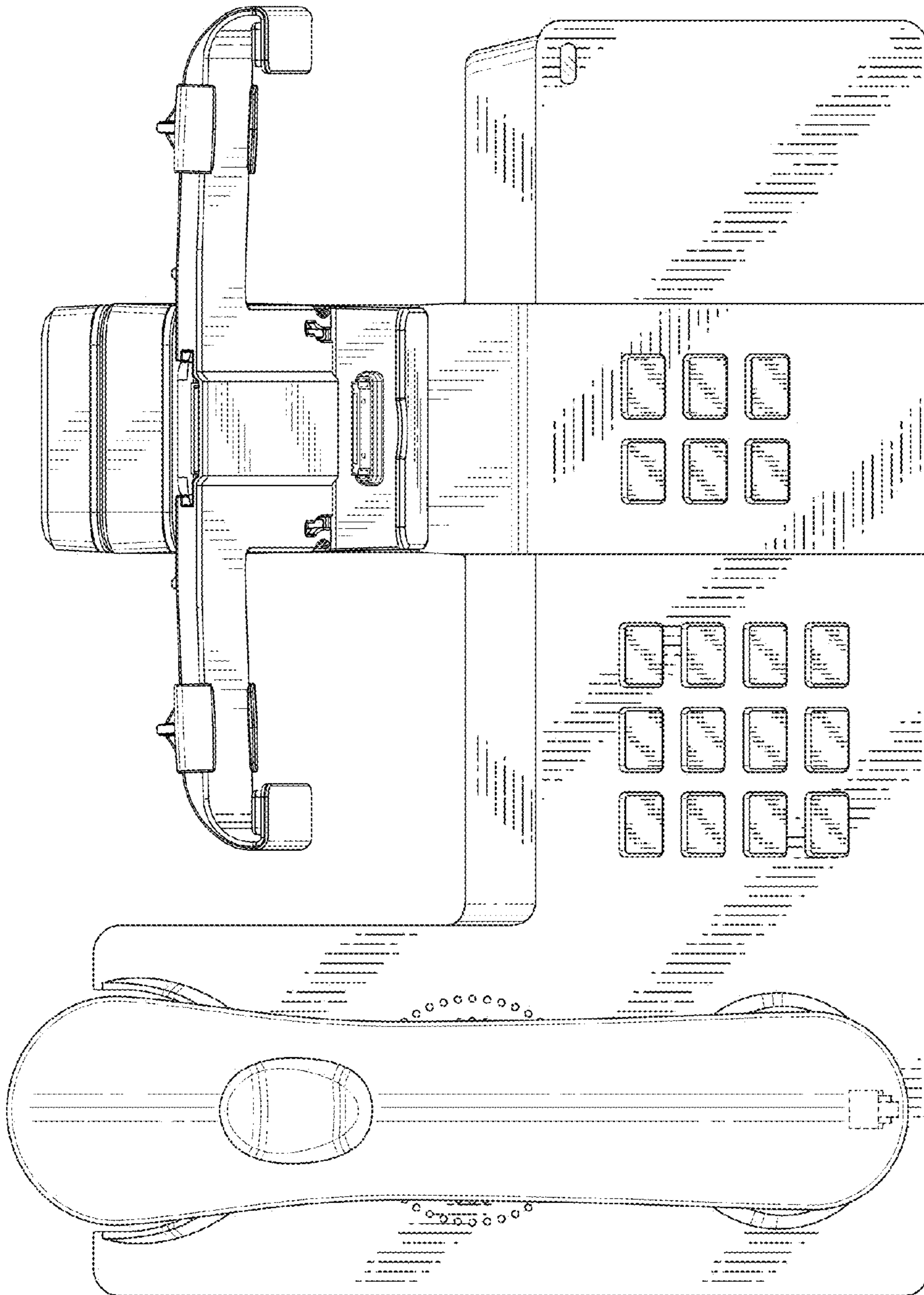


FIG. 3

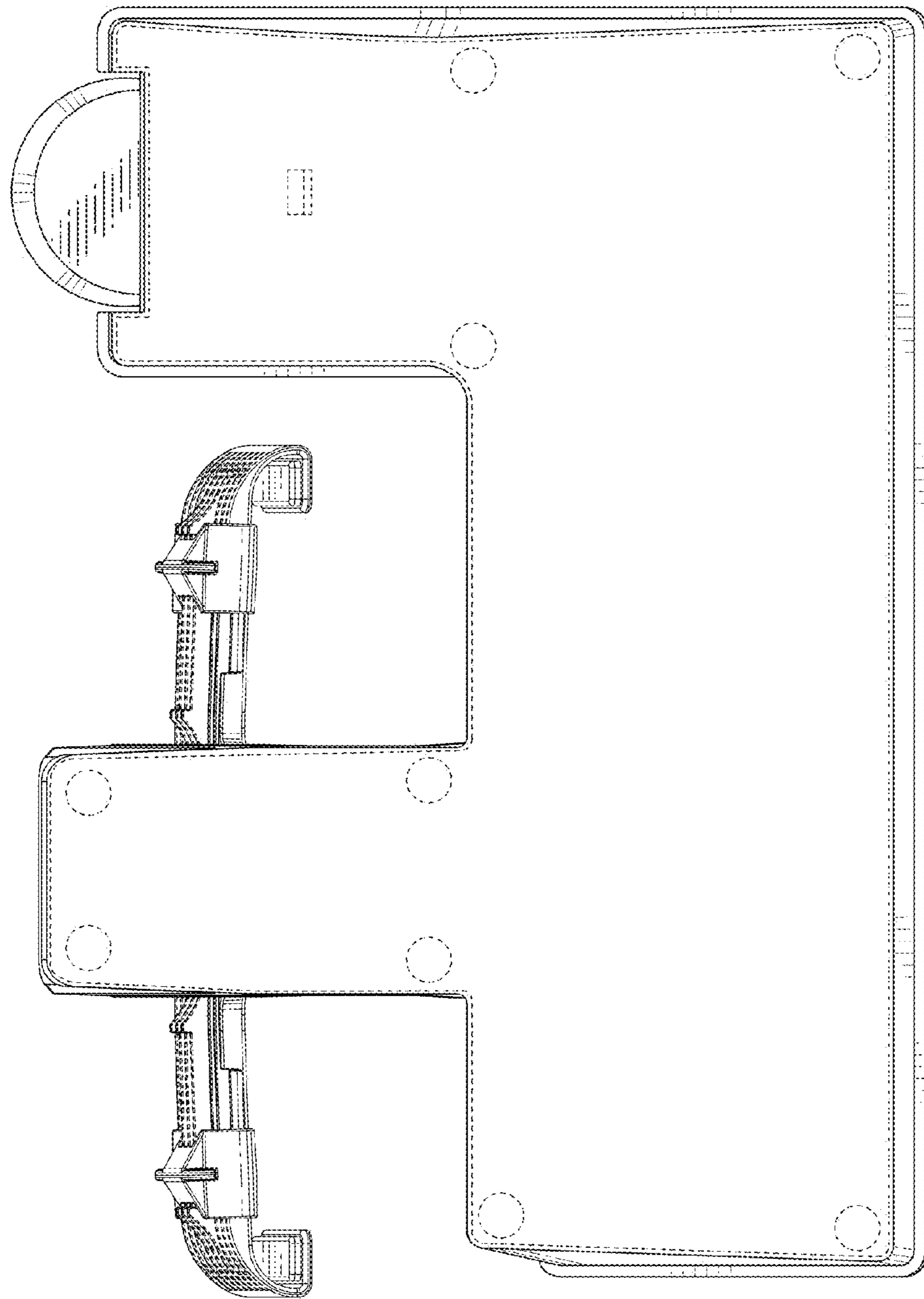


FIG. 4

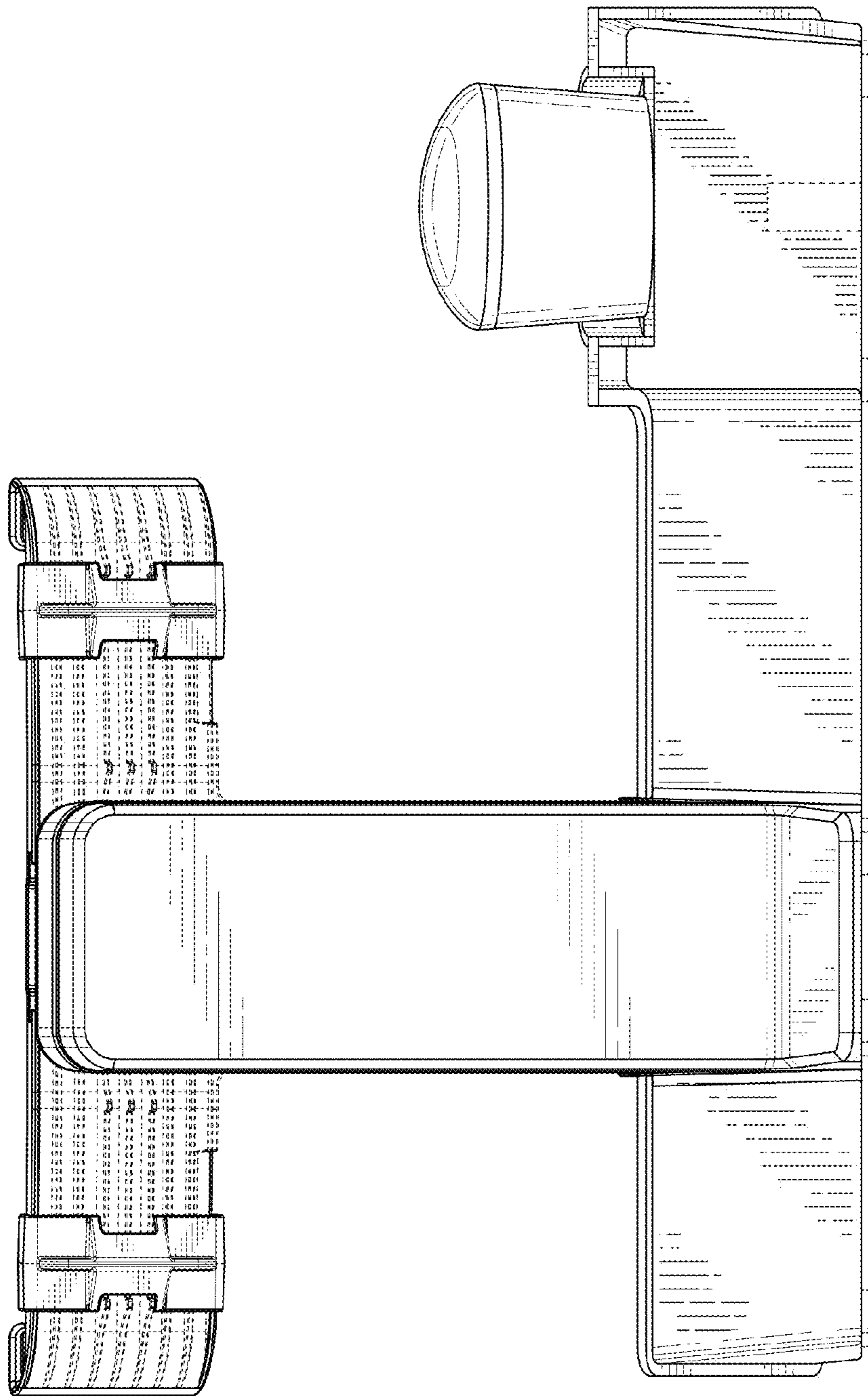


FIG. 5

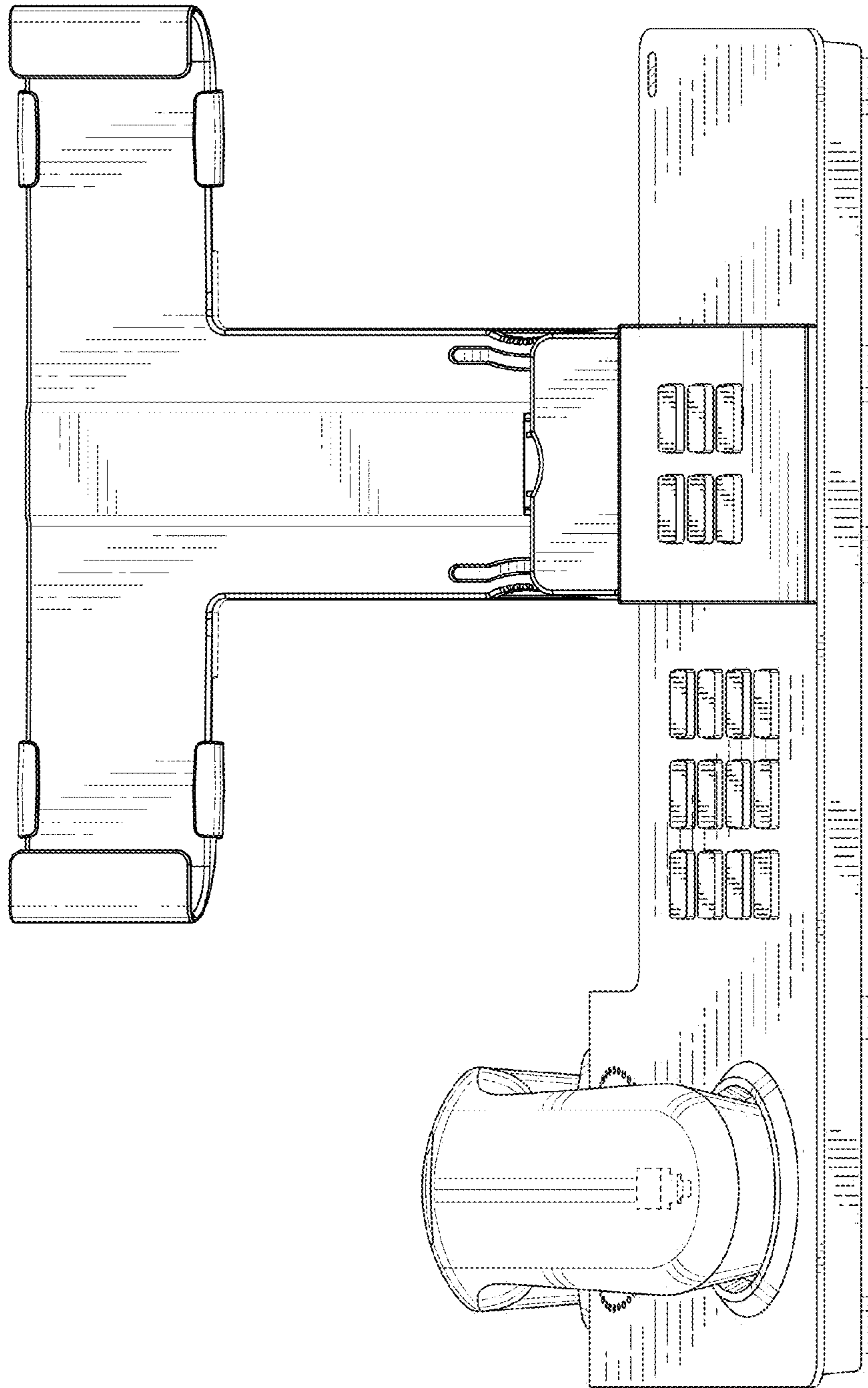


FIG. 6



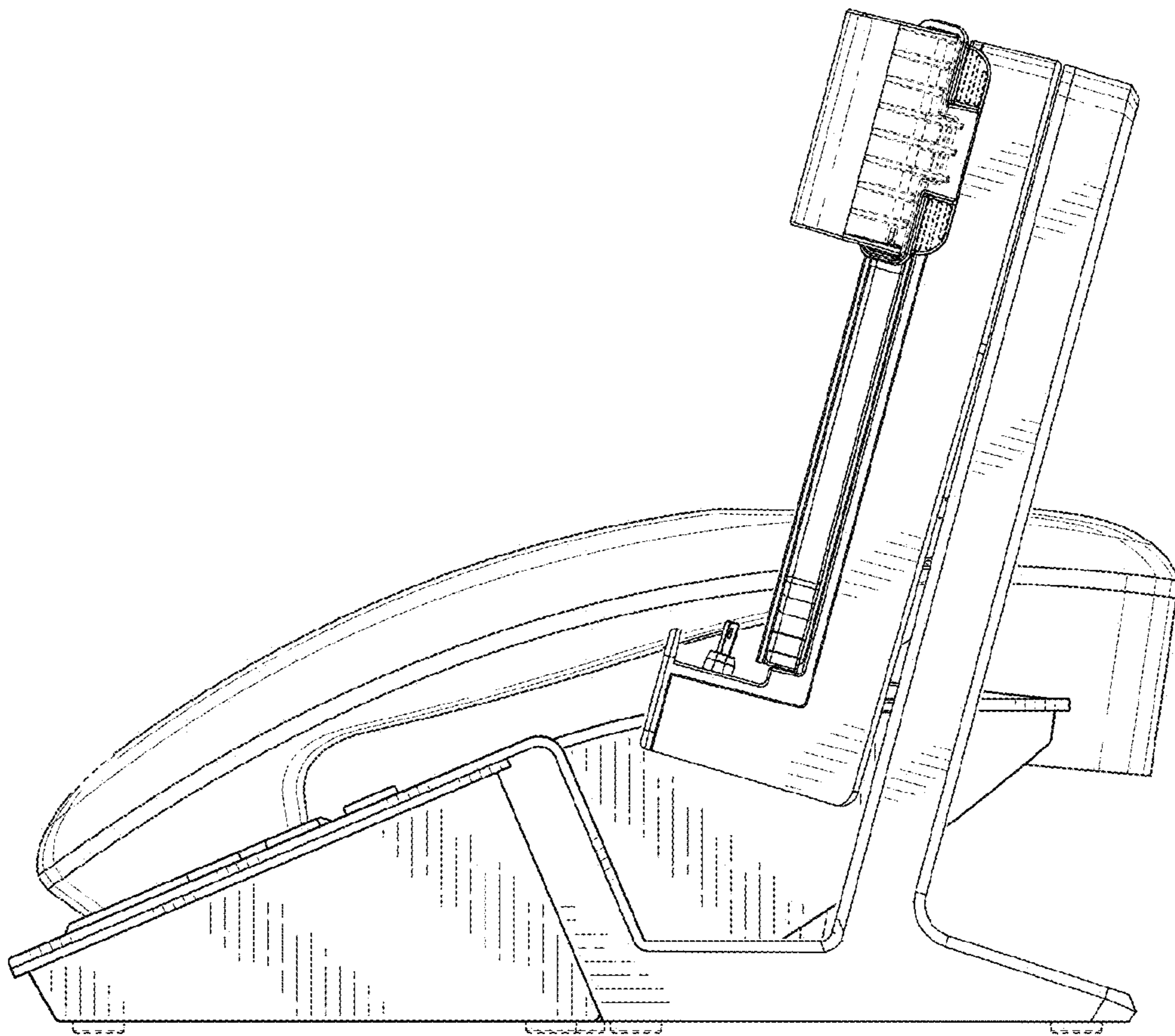


FIG. 7

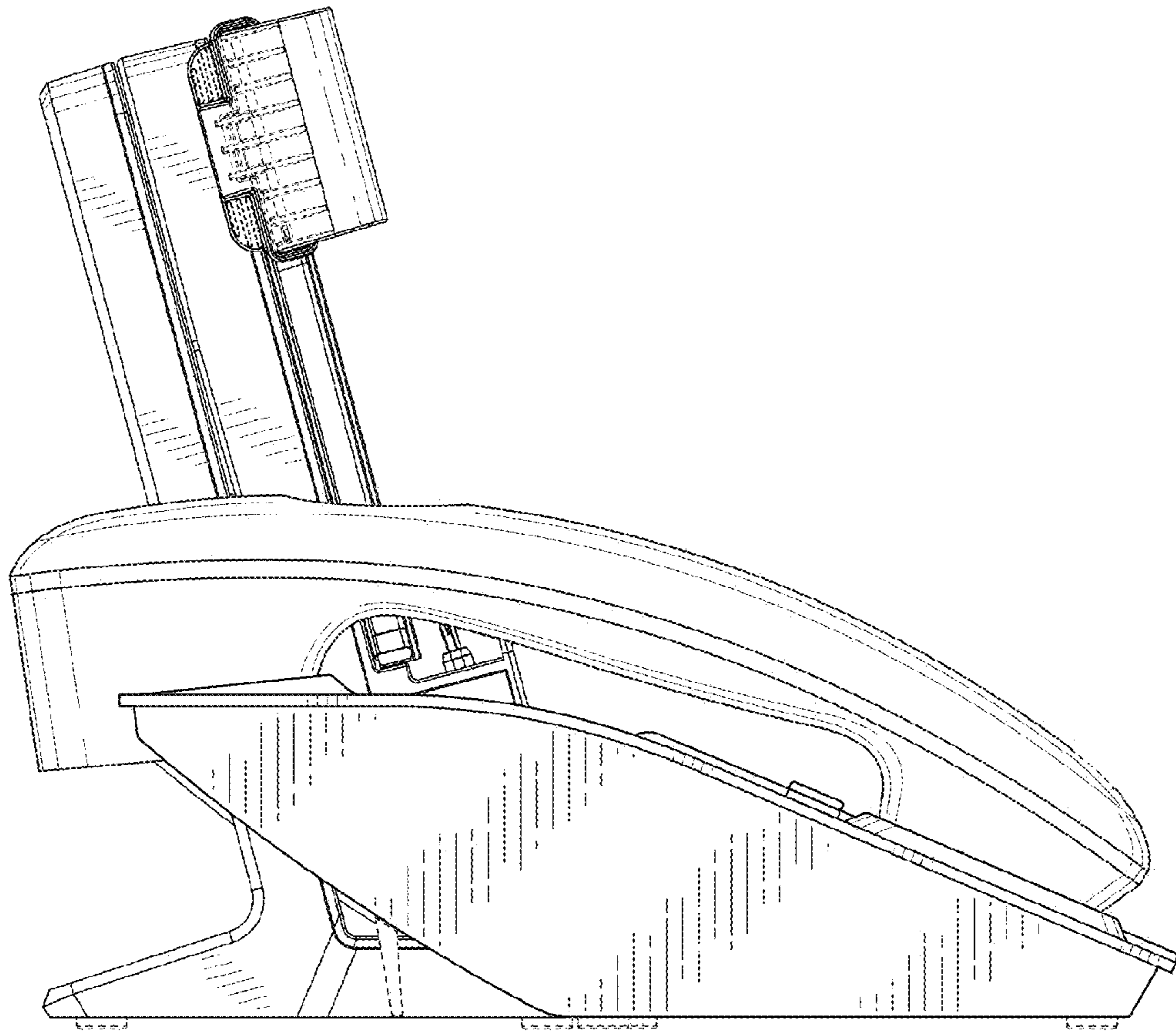


FIG. 8

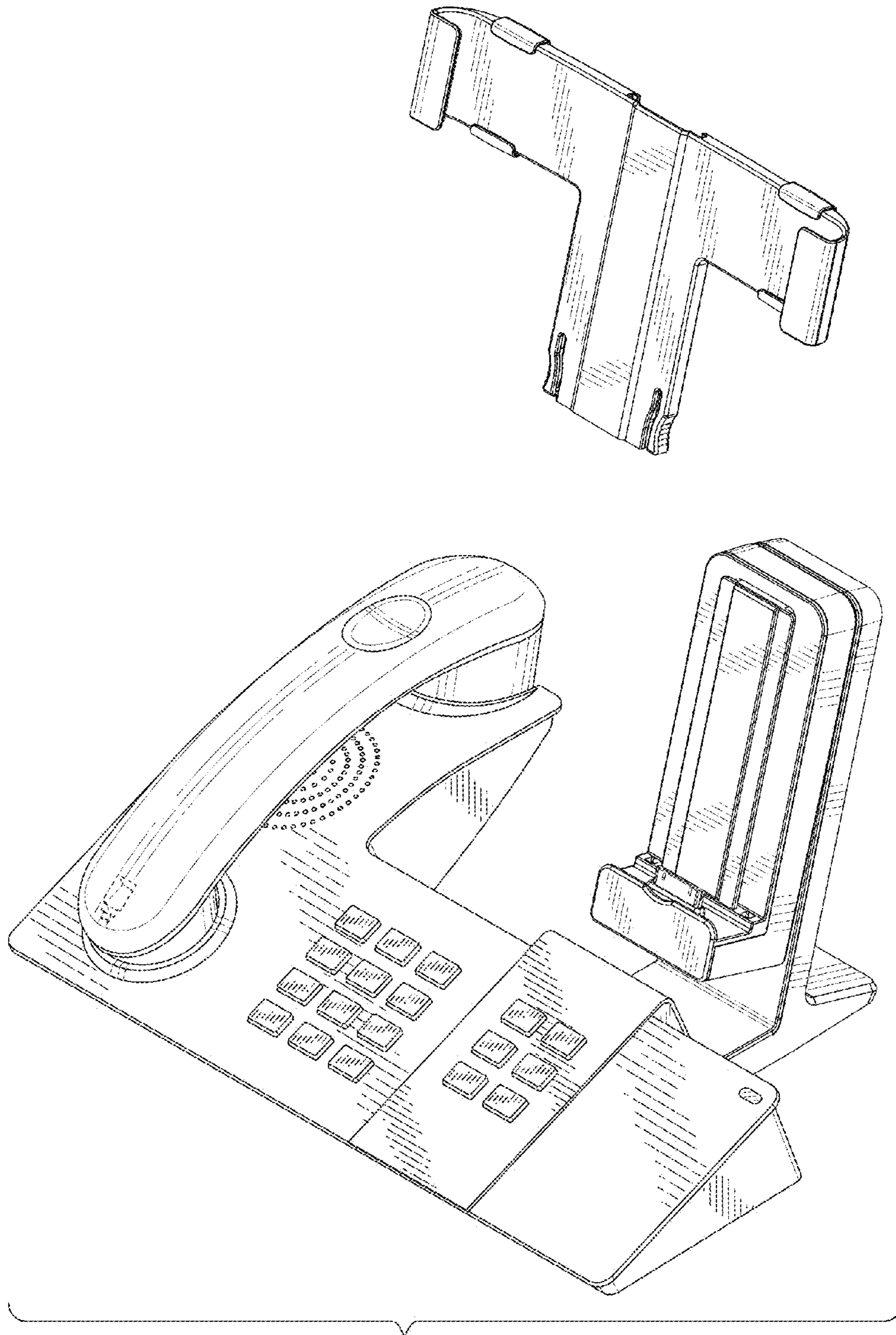


FIG. 9

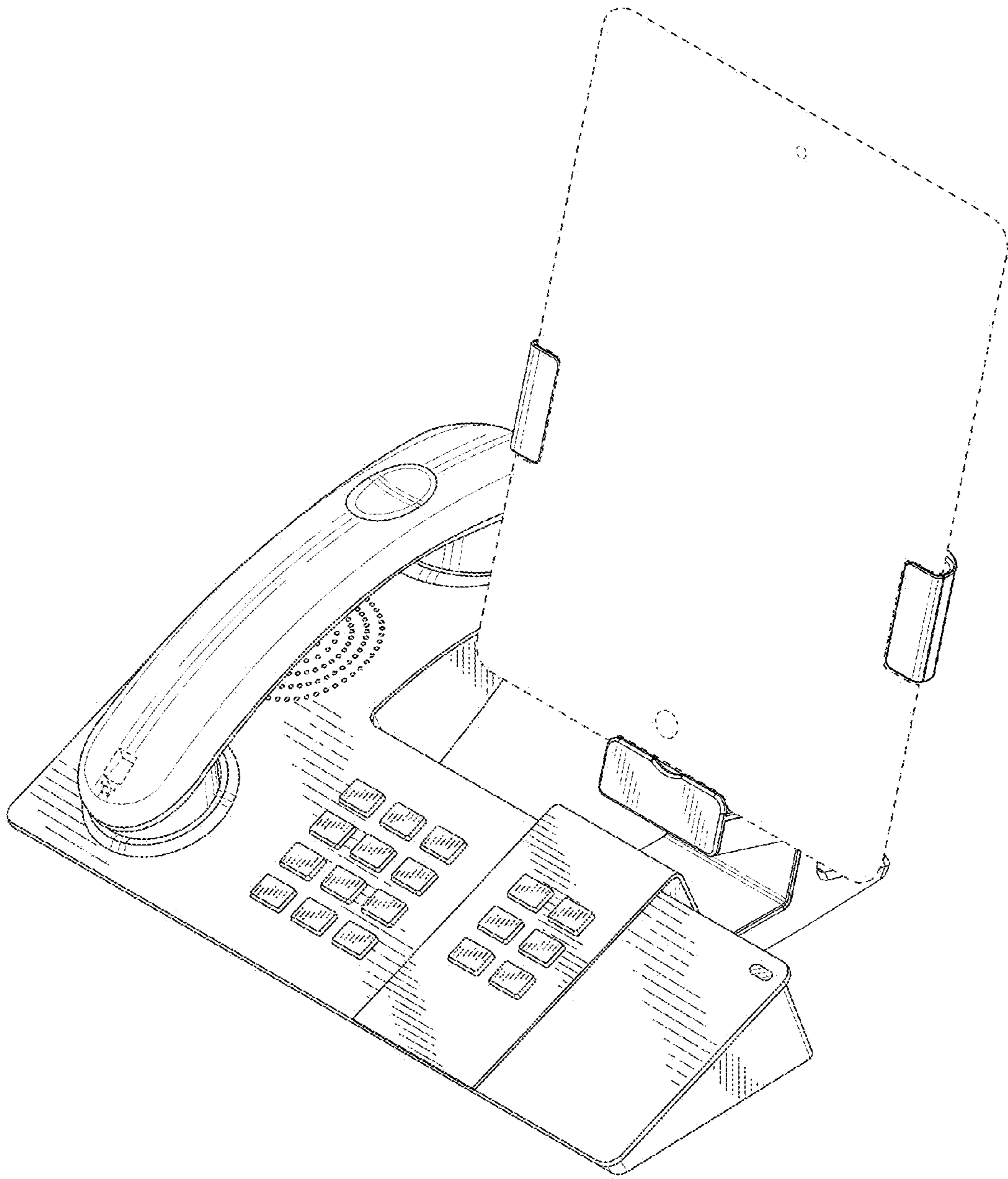


FIG. 10

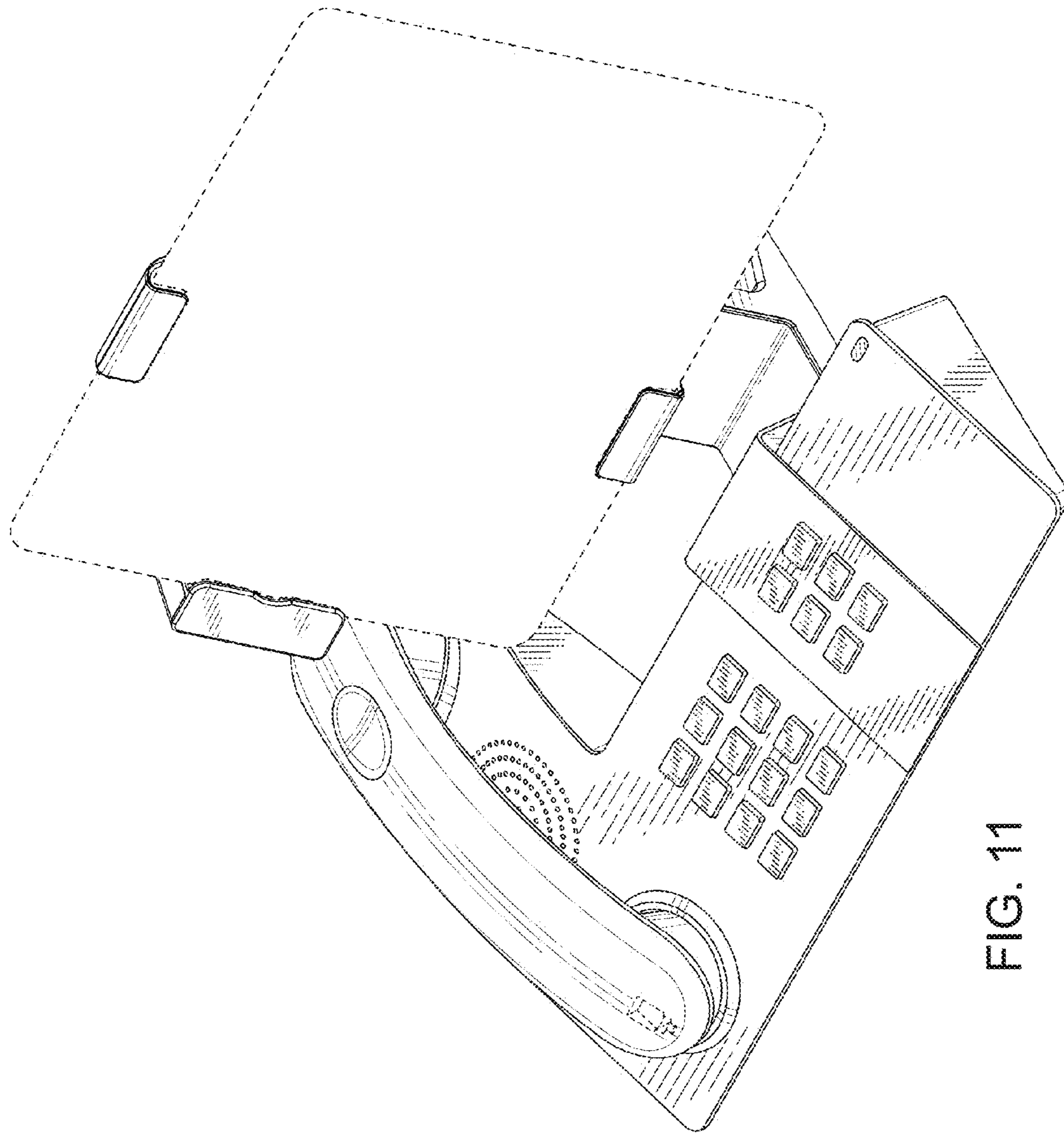


FIG. 11