



US00D729754S

(12) **United States Design Patent**
Vats

(10) **Patent No.:** **US D729,754 S**

(45) **Date of Patent:** **** May 19, 2015**

(54) **INCLINED TRANSPARENT DISPLAY PANEL**

(56) **References Cited**

(71) Applicant: **Nitin Vats**, Meerut (IN)

U.S. PATENT DOCUMENTS

(72) Inventor: **Nitin Vats**, Meerut (IN)

D421,747 S *	3/2000	Takizawa	D14/375
D439,901 S *	4/2001	Ono et al.	D14/375
D498,234 S *	11/2004	Yang	D14/375
D541,238 S *	4/2007	Smith	D14/126
D640,651 S *	6/2011	Oba	D14/126
D680,088 S *	4/2013	Park et al.	D14/126

(**) Term: **14 Years**

* cited by examiner

(21) Appl. No.: **29/453,603**

(22) Filed: **May 1, 2013**

Primary Examiner — Raphael Barkai

(51) **LOC (10) Cl.** **14-03**

(74) *Attorney, Agent, or Firm* — Crose Law LLC; Bradley D. Crose

(52) **U.S. Cl.**

USPC **D14/126**

(57) **CLAIM**

(58) **Field of Classification Search**

The ornamental design for an inclined transparent display panel, as shown and described.

CPC ... G06F 1/1601; G06F 1/1643; H05K 5/0004;

H05K 5/0017; H05K 5/02; H05K 5/0217

USPC D14/125–134, 239, 371, 136, 374–377,

D14/440, 450, 448, 336, 342, 159; 312/7.2;

348/836, 838, 180, 184, 325, 739;

248/917–924, 465; 345/104, 133, 156,

345/168, 87, 173; D21/329, 515, 577, 622,

D21/333, 433, 448, 452, 450, 331, 505;

D10/15, 26; 446/484, 175, 356;

D6/477, 479, 300; D24/185; D34/14

See application file for complete search history.

DESCRIPTION

FIG. 1 is a front perspective view of an inclined transparent display panel showing our new design;

FIG. 2 is a front view thereof;

FIG. 3 is a rear view thereof;

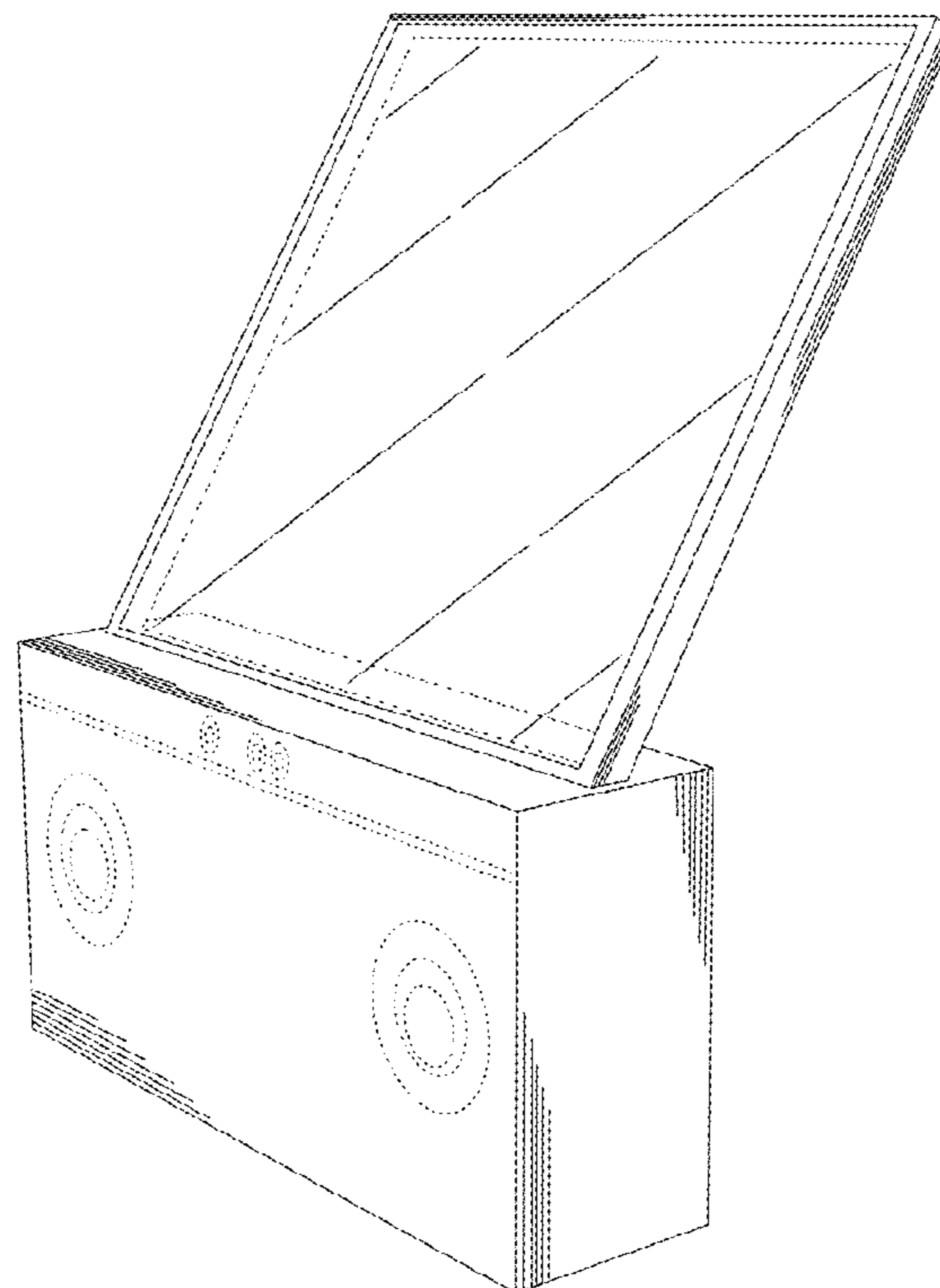
FIG. 4 is a right side view thereof;

FIG. 5 is a left side view thereof; and,

FIG. 6 is a top view thereof.

The broken lines are for illustrative purposes only and form no part of the claimed design.

1 Claim, 3 Drawing Sheets



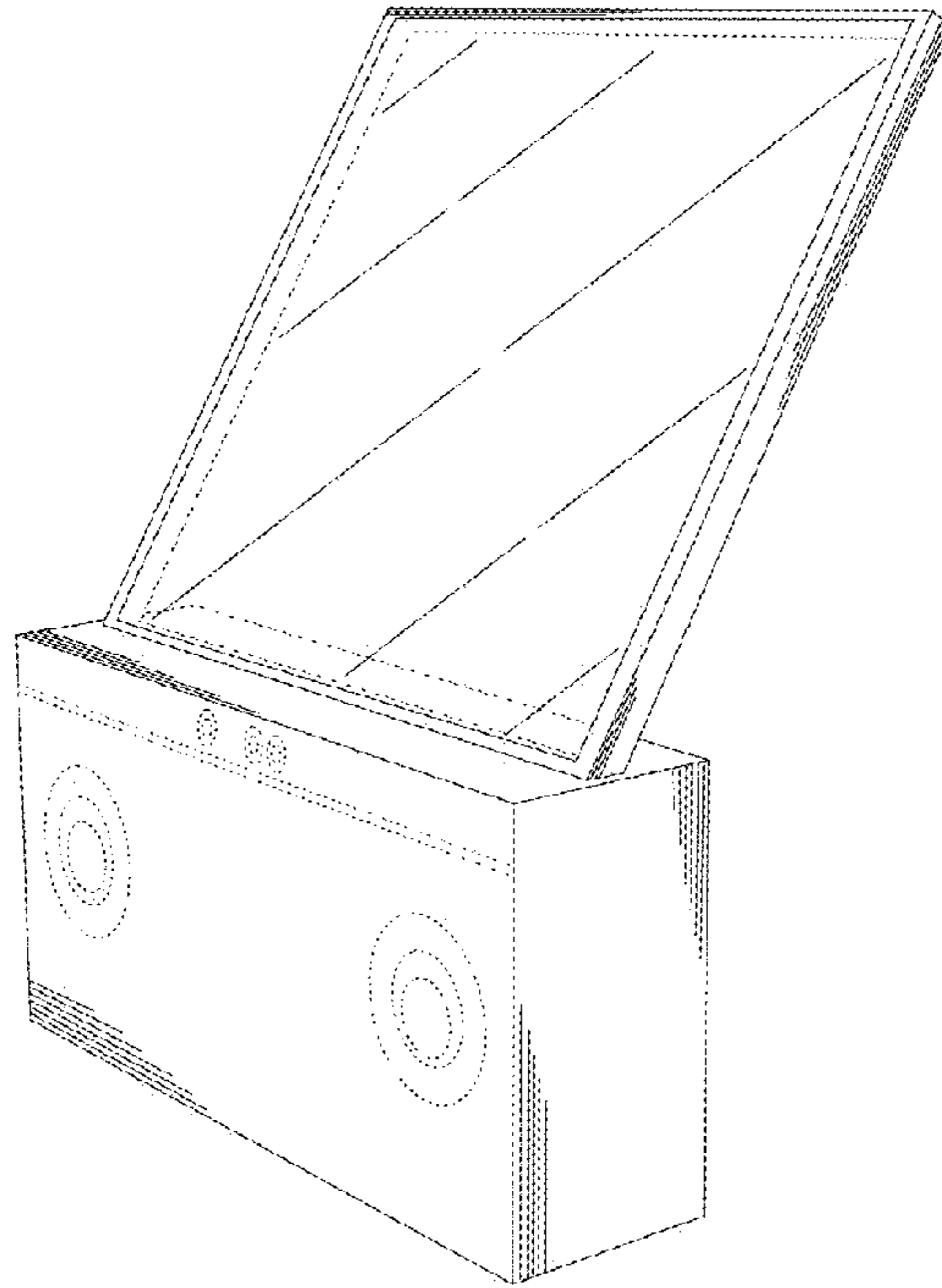


FIG. 1

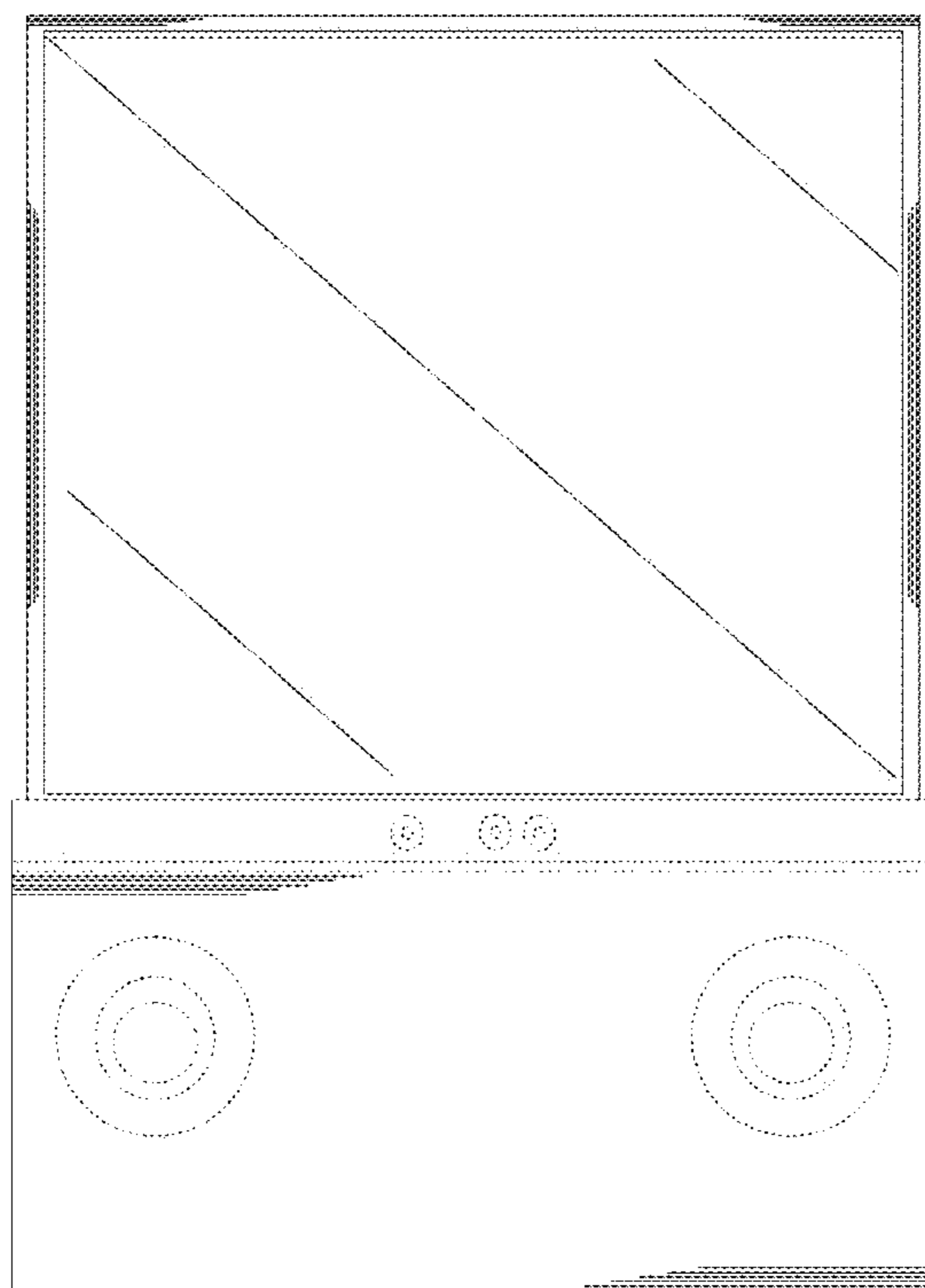


FIG. 2

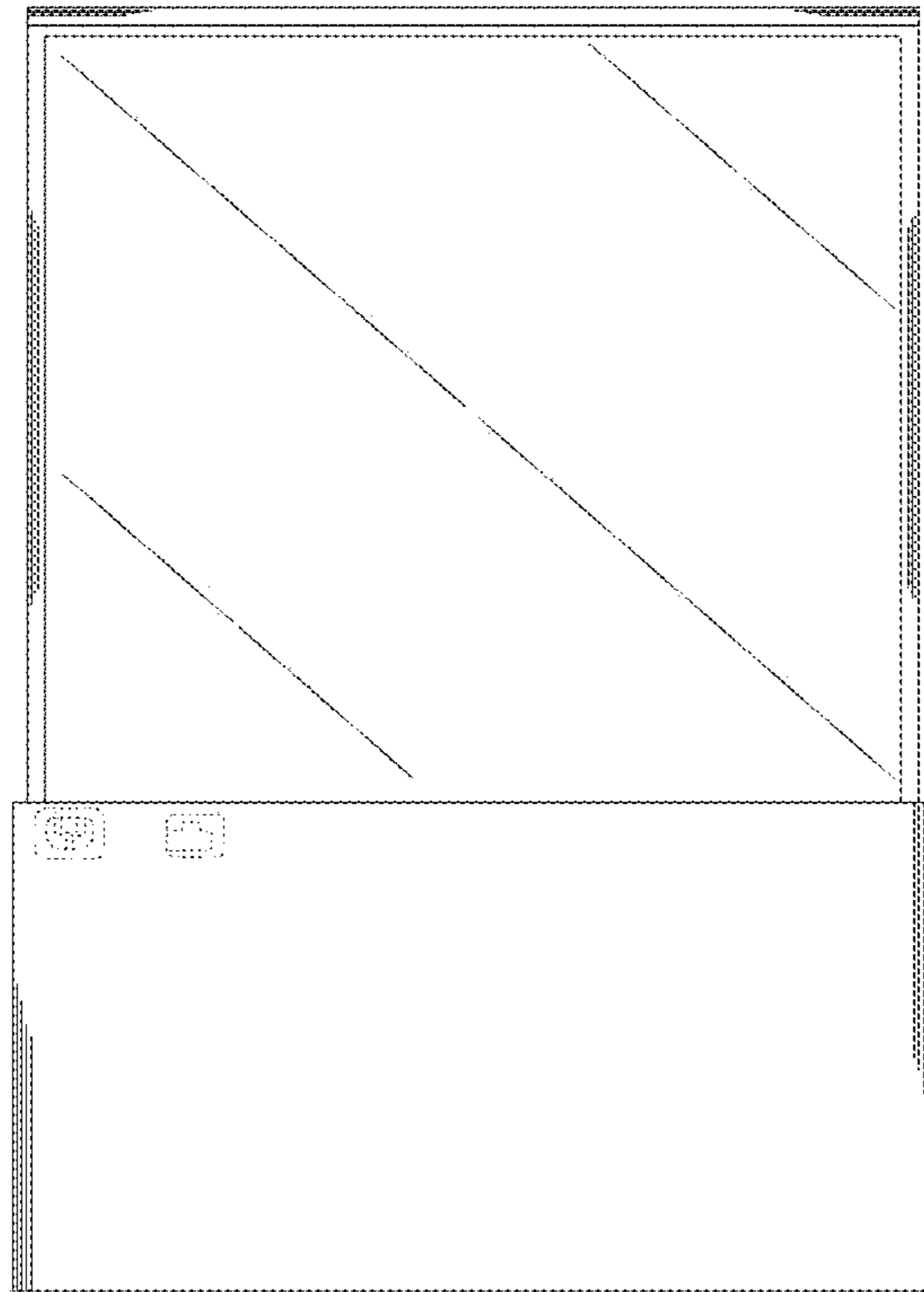


FIG. 3

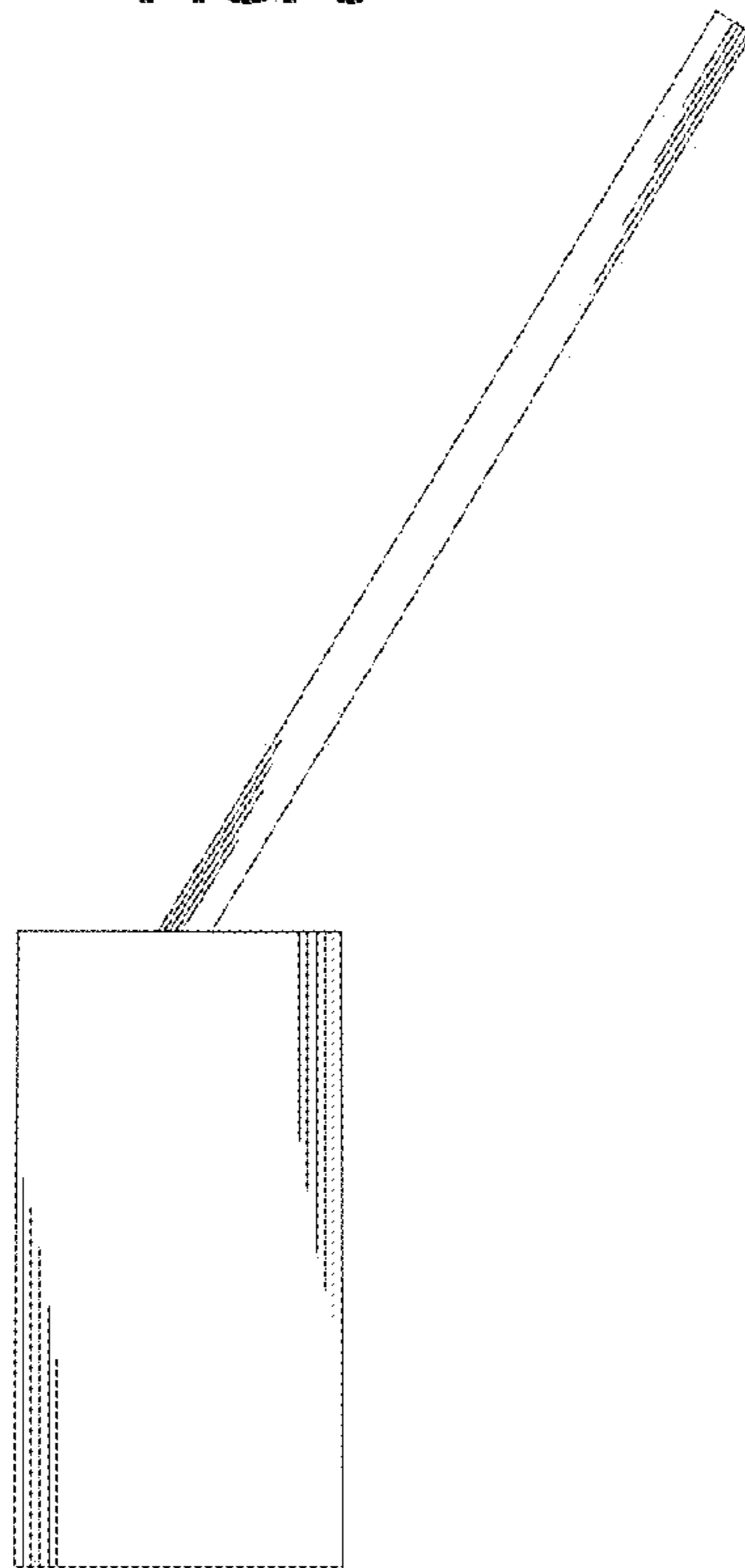


FIG. 4

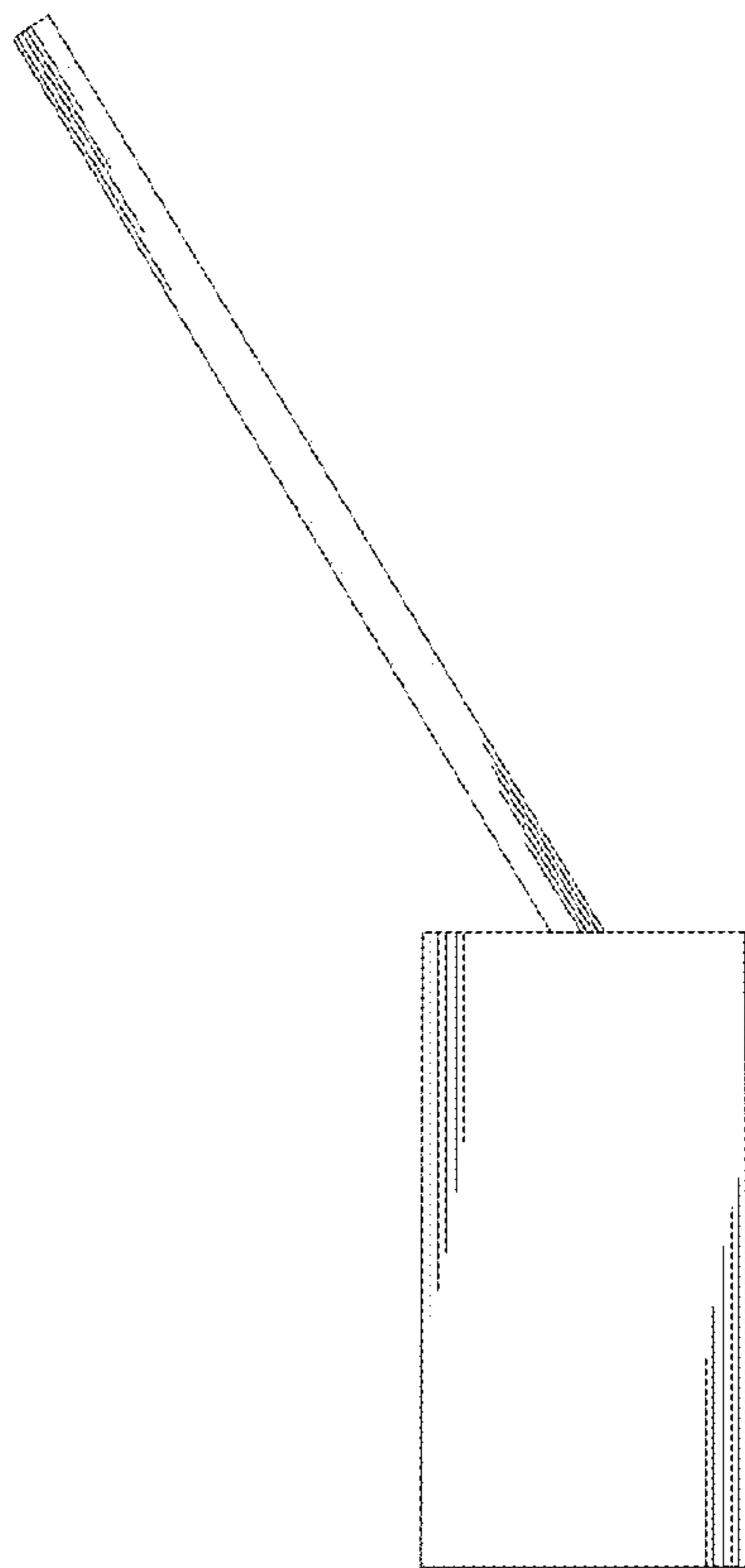


FIG. 5

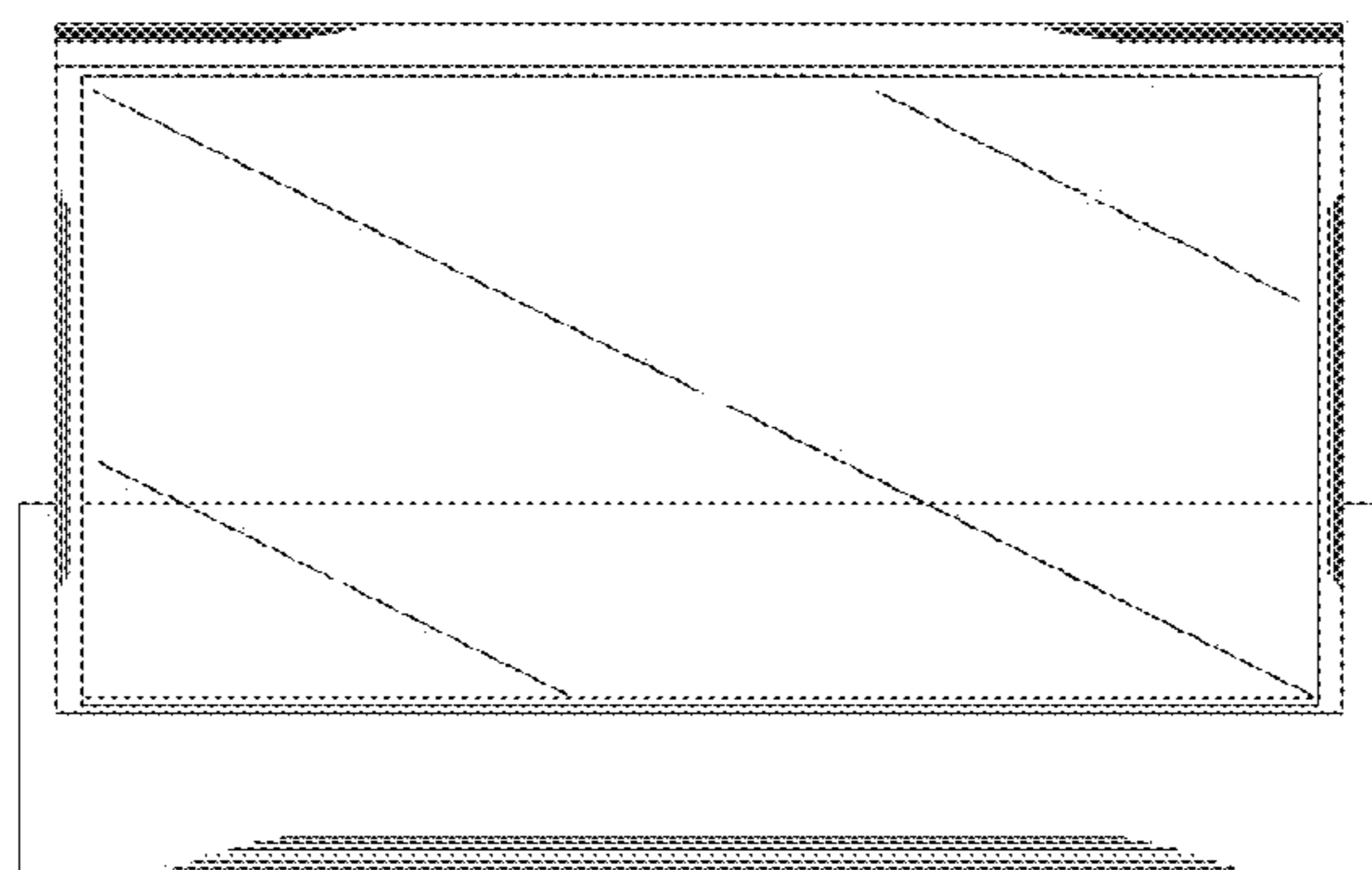


FIG. 6