



US00D729750S

(12) **United States Design Patent**  
**Chen**

(10) **Patent No.:** **US D729,750 S**

(45) **Date of Patent:** **\*\* May 19, 2015**

(54) **HEAT SINK OF LAMP**

(71) Applicant: **Yu-Syuan Chen**, New Taipei (TW)

(72) Inventor: **Yu-Syuan Chen**, New Taipei (TW)

(\*\*) Term: **14 Years**

(21) Appl. No.: **29/457,771**

(22) Filed: **Jun. 13, 2013**

(51) **LOC (10) Cl.** ..... **13-03**

(52) **U.S. Cl.**  
USPC ..... **D13/179; D26/2**

(58) **Field of Classification Search**  
CPC ..... F21K 9/00; F21K 9/135; F21V 3/00;  
H01K 1/58

USPC ..... D13/179; D26/1, 2; 313/46, 316, 317,  
313/493; 361/695; 362/294, 373, 800

See application file for complete search history.

(56) **References Cited**

**U.S. PATENT DOCUMENTS**

6,794,801	B2 *	9/2004	Yasuda et al.	313/46
D602,614	S *	10/2009	Takahashi et al.	D26/2
D635,105	S *	3/2011	Maxik et al.	D13/179
7,965,029	B2 *	6/2011	Tsai	313/498
D642,291	S *	7/2011	Li et al.	D26/2
D644,760	S *	9/2011	Murakami et al.	D26/2
D648,875	S *	11/2011	Kim et al.	D26/2
D661,823	S *	6/2012	Uneo et al.	D26/2
D662,898	S *	7/2012	Petroski	D13/179
8,227,962	B1 *	7/2012	Su	313/46
8,227,964	B2 *	7/2012	Choi et al.	313/46
D668,364	S *	10/2012	Yamamoto et al.	D26/2
D671,234	S *	11/2012	Yamamoto et al.	D26/2
8,319,408	B1 *	11/2012	Hornig	313/46
8,362,677	B1 *	1/2013	Morejon et al.	313/46
D677,227	S *	3/2013	Petroski	D13/179
8,393,779	B2 *	3/2013	Myojo	362/647
8,414,165	B2 *	4/2013	Zeng	362/373
8,439,527	B2 *	5/2013	Takahasi et al.	362/310
8,488,318	B2 *	7/2013	Zhang	361/695

D688,392	S *	8/2013	Tsai	D26/2
D697,234	S *	1/2014	Wei et al.	D26/2
8,680,754	B2 *	3/2014	Premysler	313/46
D706,961	S *	6/2014	Nasrullah et al.	D26/2
D716,975	S *	11/2014	Hasuo et al.	D26/2
2010/0238672	A1 *	9/2010	Wu et al.	362/373
2010/0314985	A1 *	12/2010	Premysler	313/46
2011/0037367	A1 *	2/2011	Wang et al.	313/46
2011/0074289	A1 *	3/2011	Van de Ven et al.	315/32
2011/0156569	A1 *	6/2011	Osawa	313/46
2011/0248619	A1 *	10/2011	Loh	313/46
2011/0254426	A1 *	10/2011	Wang	313/46
2012/0013237	A1 *	1/2012	Lee	313/46
2012/0112614	A1 *	5/2012	Pickard et al.	313/46
2012/0119647	A1 *	5/2012	Hsu	315/35
2012/0161627	A1 *	6/2012	Chang et al.	315/35
2013/0039048	A1 *	2/2013	Lo et al.	362/184
2013/0113358	A1 *	5/2013	Progl et al.	313/46
2013/0155664	A1 *	6/2013	Kim	362/184
2013/0285531	A1 *	10/2013	Yuan et al.	313/110
2014/0334158	A1 *	11/2014	Yan et al.	362/294

\* cited by examiner

*Primary Examiner* — Selina Sikder

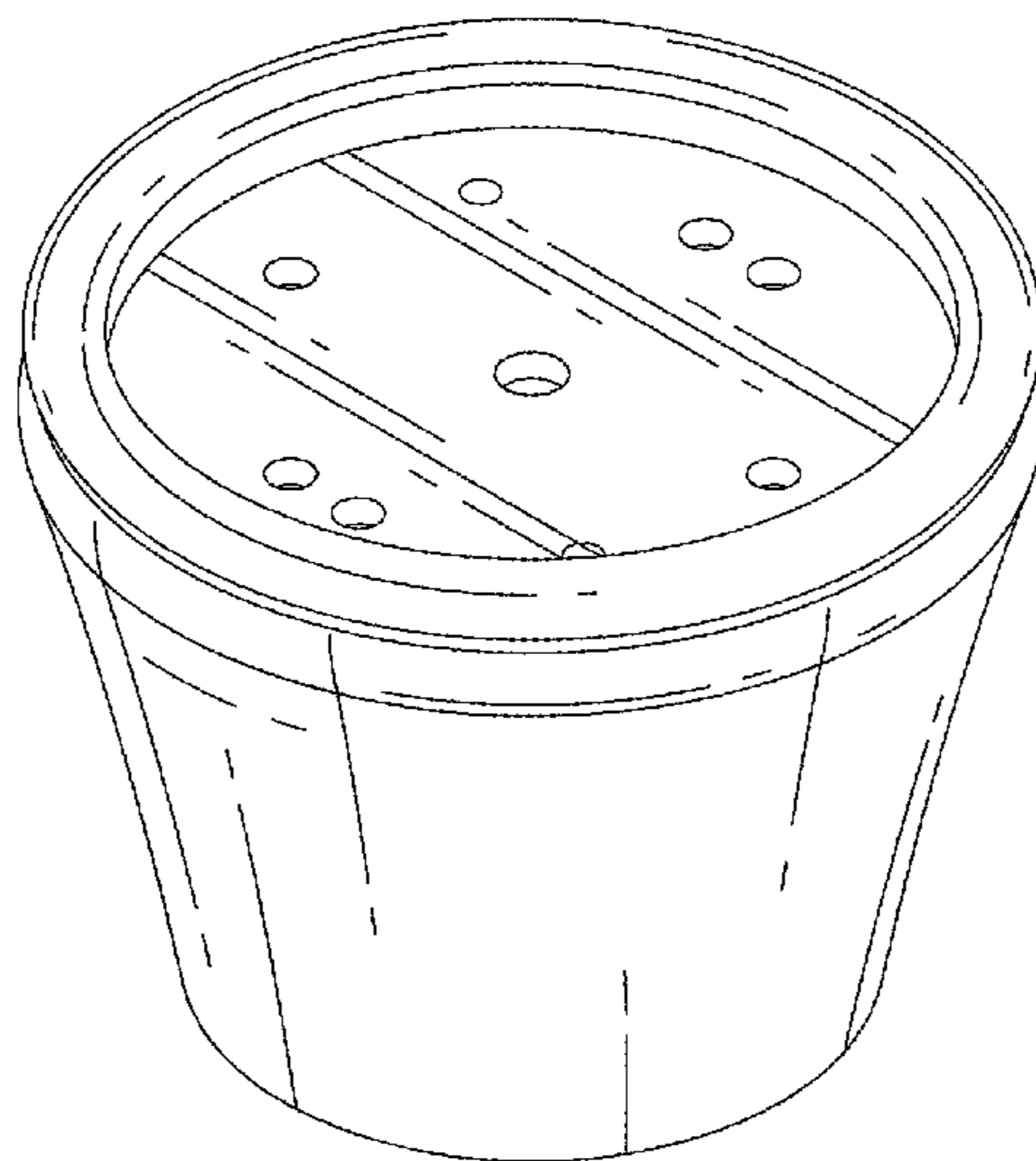
(57) **CLAIM**

The ornamental design for a heat sink of lamp, as shown and described.

**DESCRIPTION**

FIG. 1 is a perspective view of a heat sink of lamp showing my new design;  
 FIG. 2 is a front elevational view thereof;  
 FIG. 3 is a rear elevational view thereof;  
 FIG. 4 is a left side elevational view thereof;  
 FIG. 5 is a right side elevational view thereof;  
 FIG. 6 is a top plan view thereof;  
 FIG. 7 is a bottom plan view thereof; and,  
 FIG. 8 is an illustration of applying the present invention wherein in the broken lines are shown for illustrative purposes only and forms no part of the claimed design.

**1 Claim, 5 Drawing Sheets**



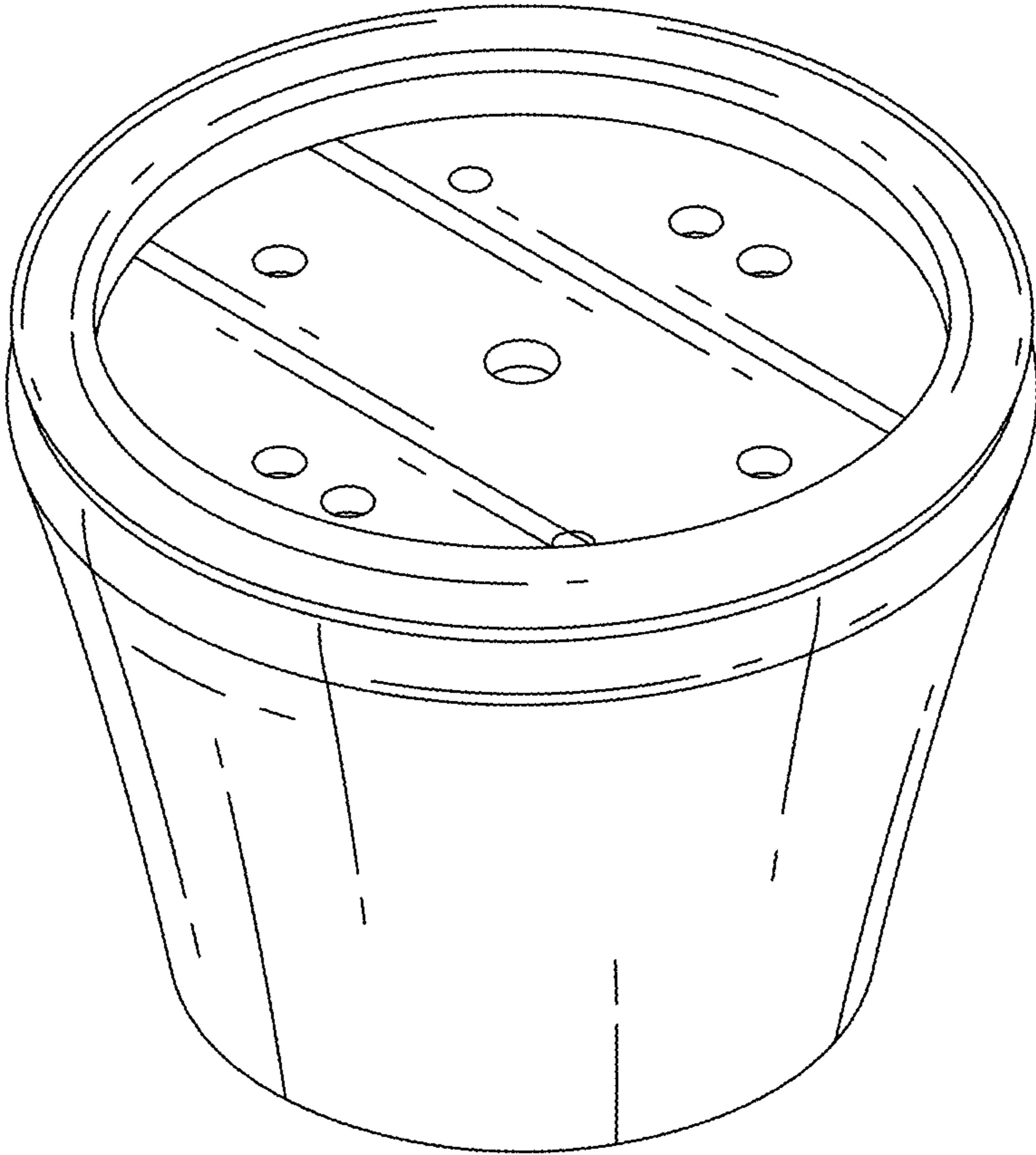


FIG. 1

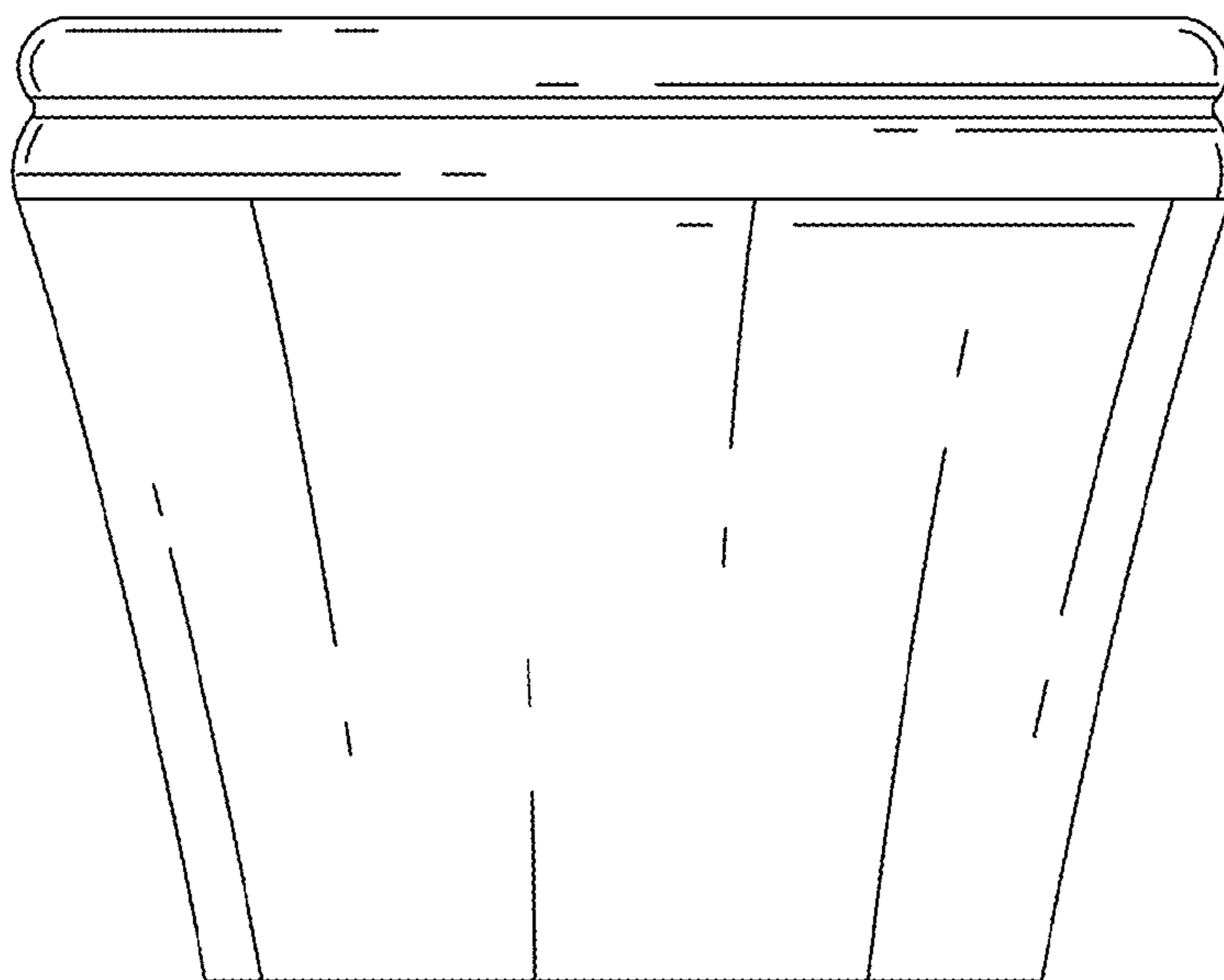


FIG. 2

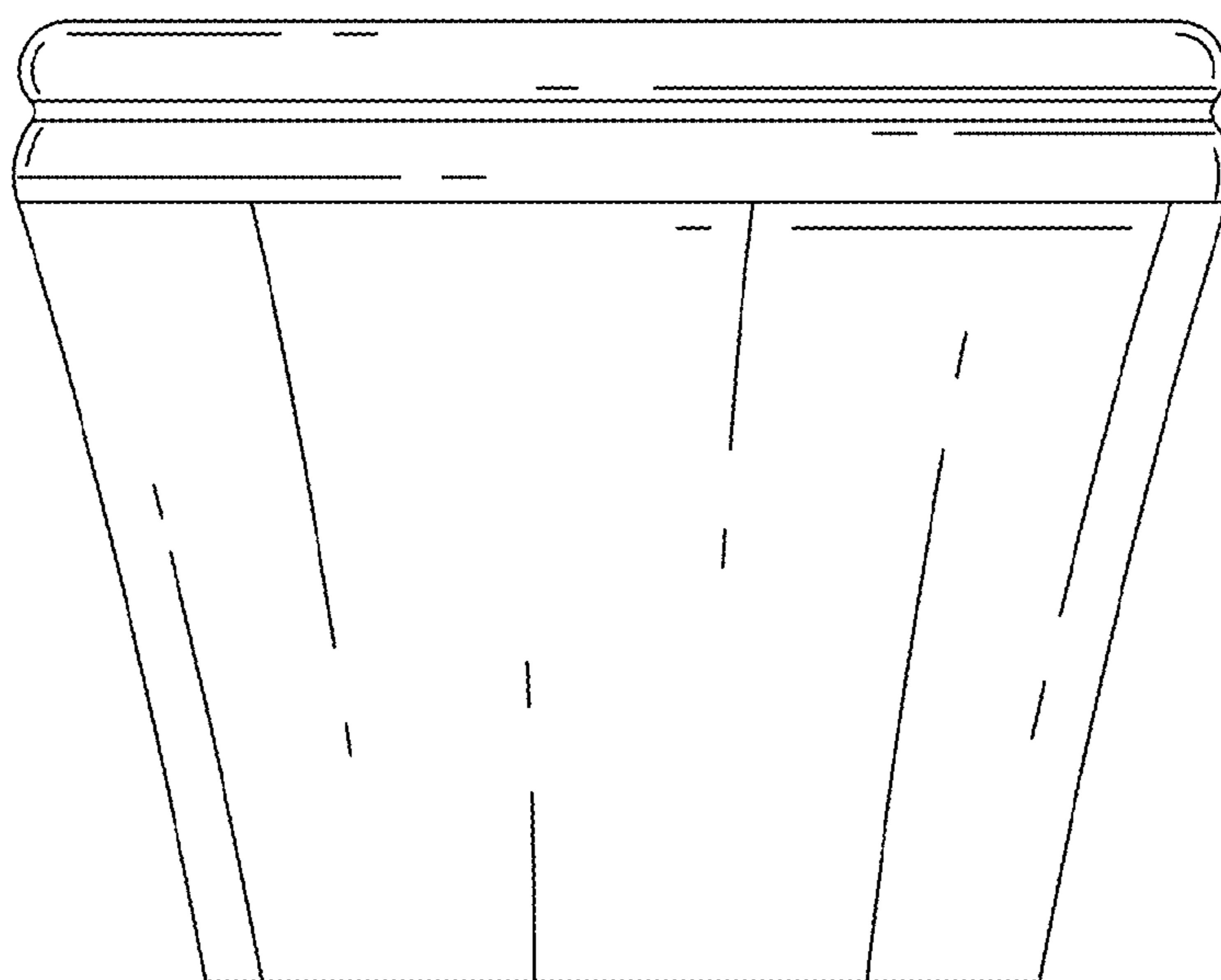


FIG. 3

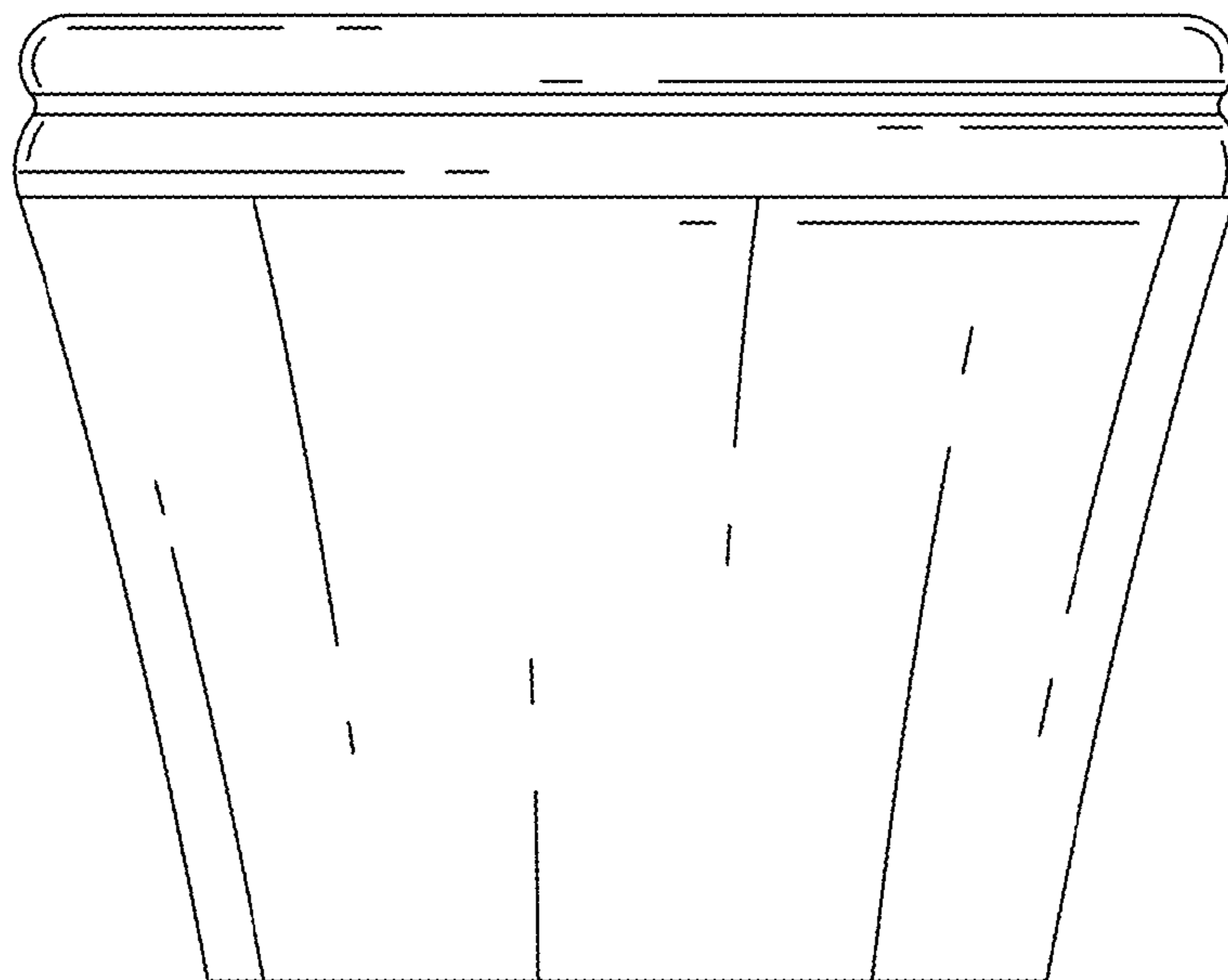


FIG. 4

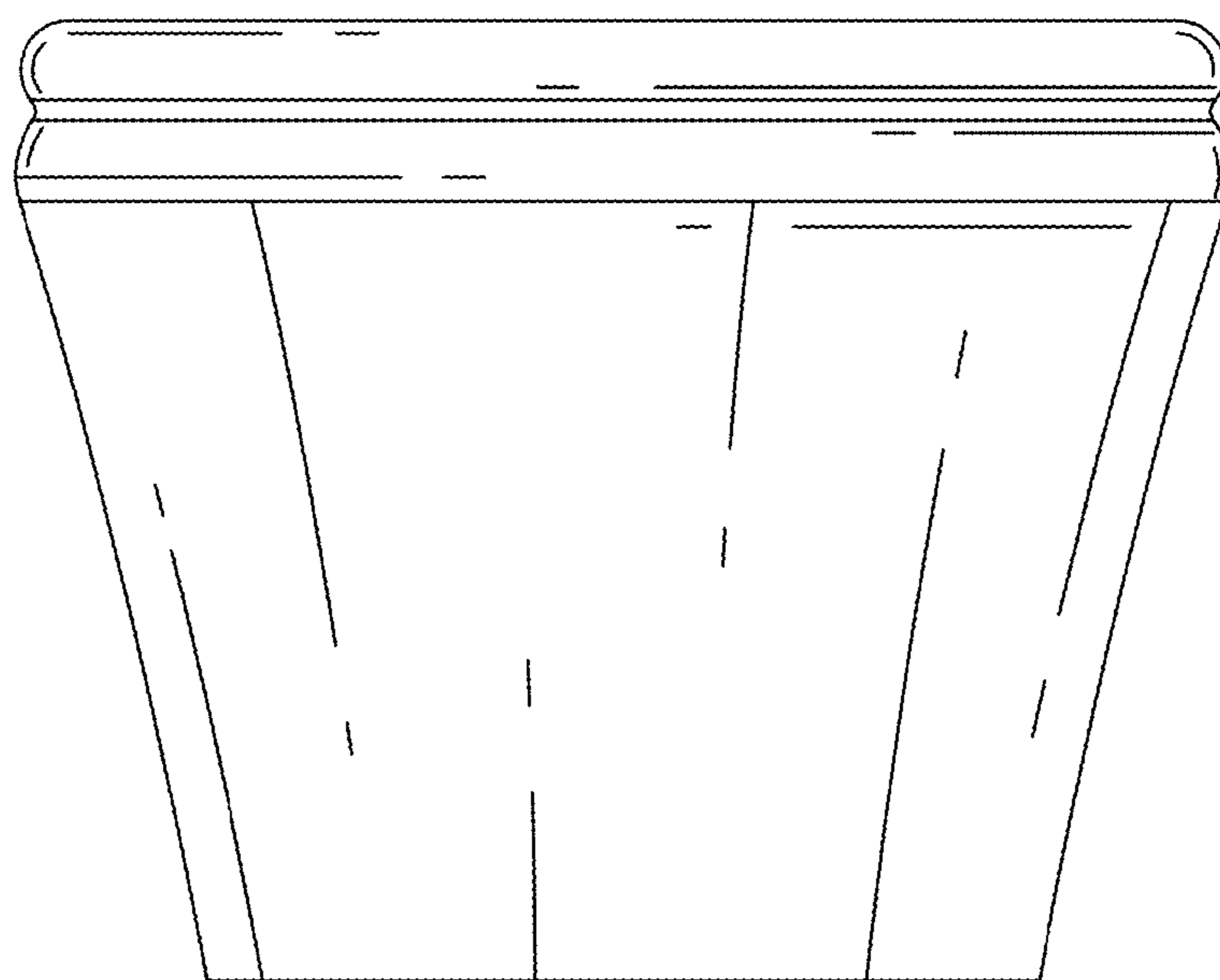


FIG. 5

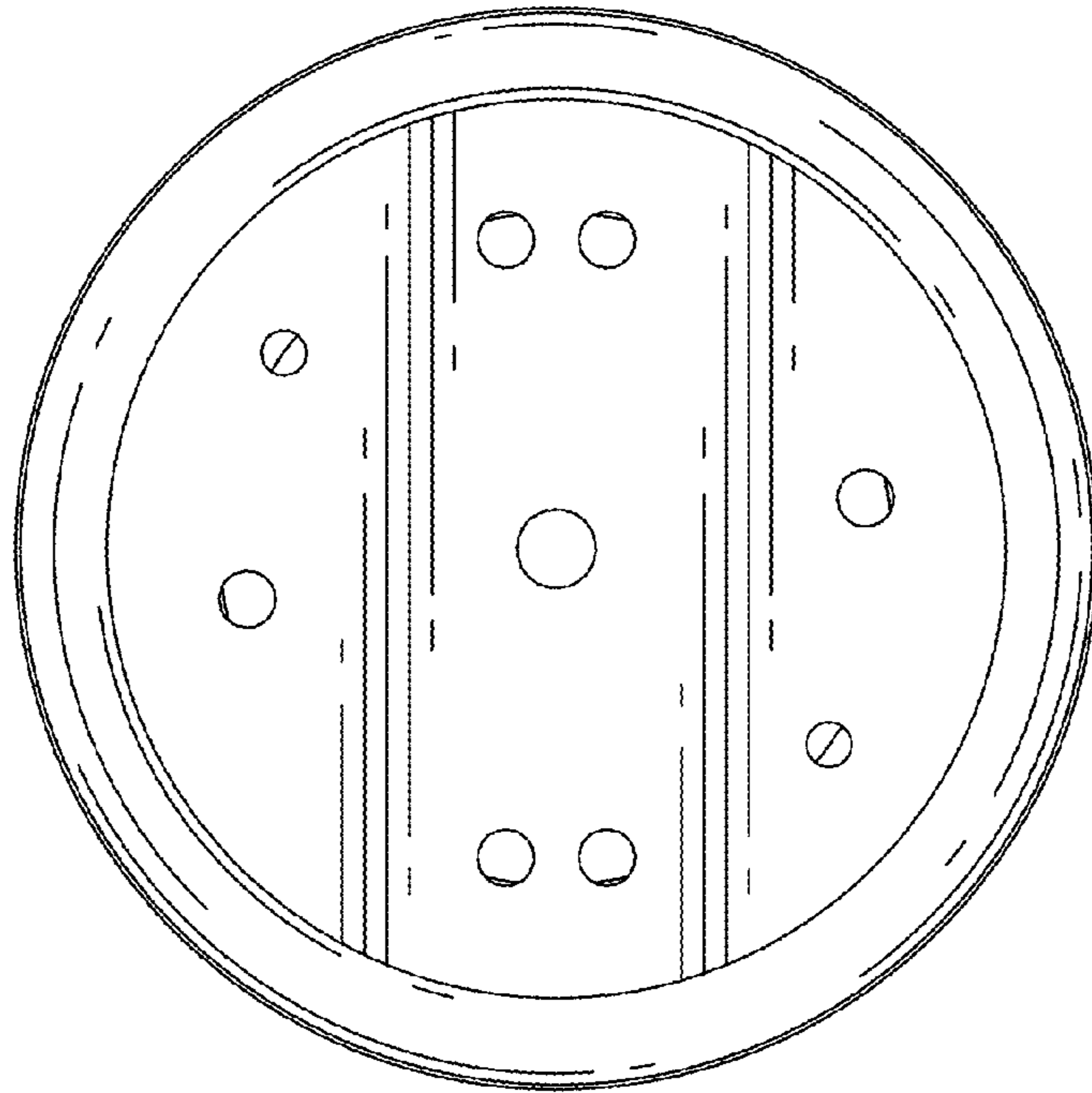


FIG. 6

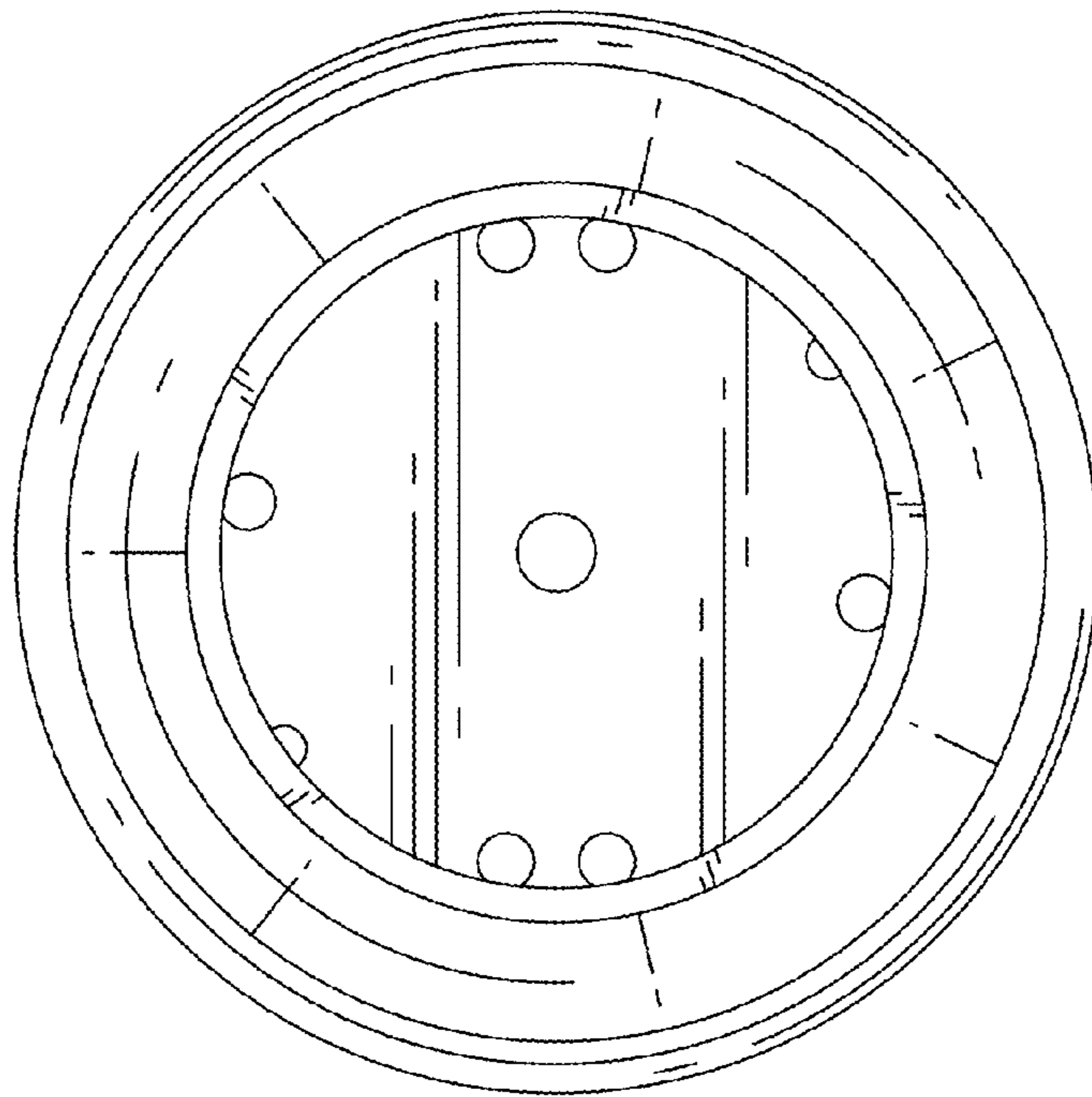


FIG. 7

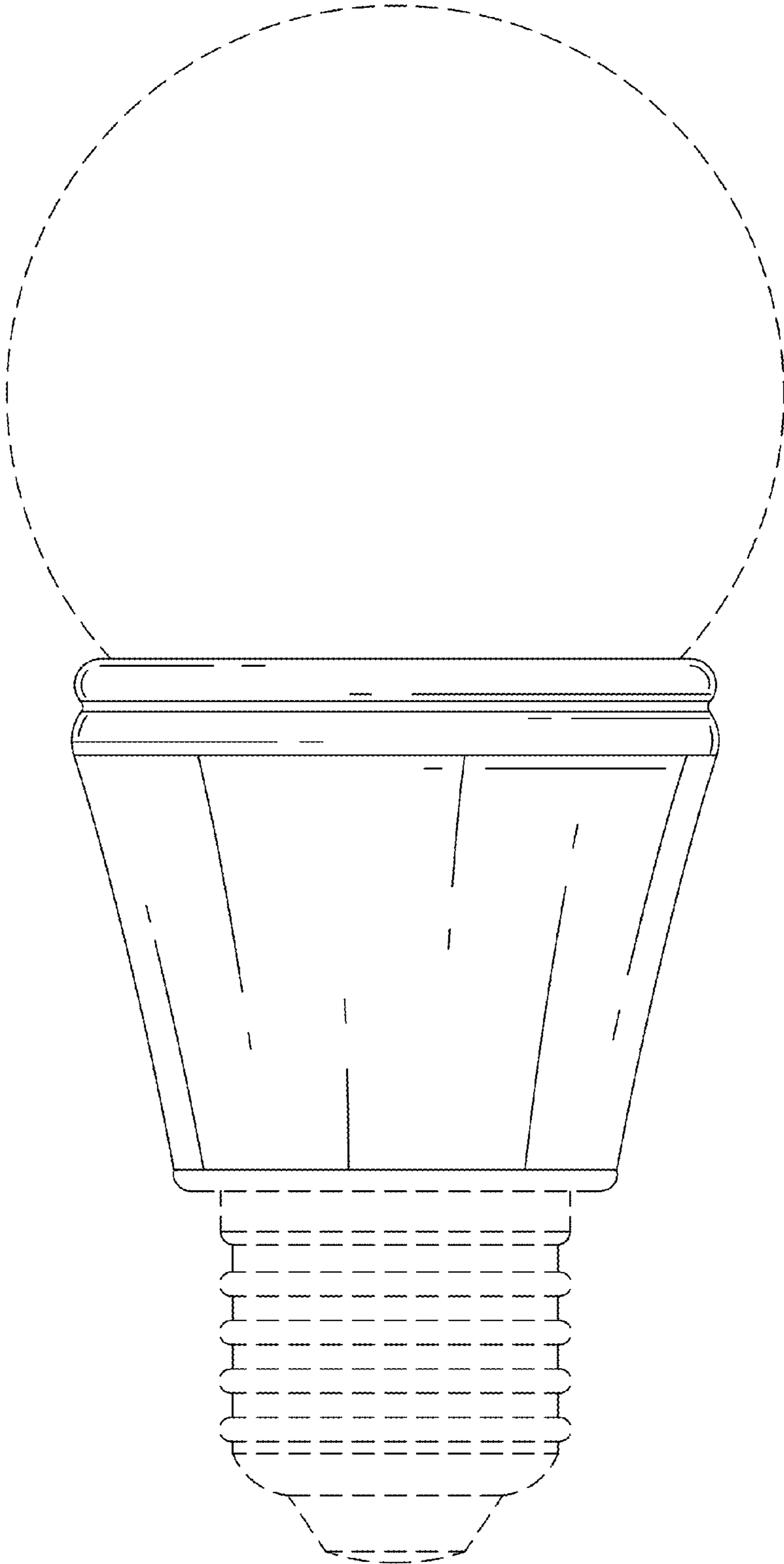


FIG. 8