



US00D729747S

(12) **United States Design Patent**  
**Suzuki et al.**

(10) **Patent No.:** **US D729,747 S**  
(45) **Date of Patent:** **\*\* May 19, 2015**

(54) **ELECTROMAGNETIC CONTACT DEVICE**  
  
(71) Applicant: **FUJI ELECTRIC FA COMPONENTS & SYSTEMS CO., LTD.**, Tokyo (JP)  
  
(72) Inventors: **Kenji Suzuki**, Tokyo (JP); **Kouetsu Takaya**, Tokyo (JP); **Yuichi Yamamoto**, Tokyo (JP); **Yuji Shiba**, Tokyo (JP); **Yasuhiro Naka**, Tokyo (JP)  
  
(73) Assignee: **FUJI ELECTRIC FA COMPONENTS & SYSTEMS CO., LTD.**, Tokyo (JP)

(\*\*) Term: **14 Years**  
  
(21) Appl. No.: **29/460,055**  
  
(22) Filed: **Jul. 8, 2013**

(30) **Foreign Application Priority Data**  
  
Jan. 11, 2013 (JP) ..... 2013-000351  
  
(51) **LOC (10) Cl.** ..... **13-03**  
(52) **U.S. Cl.**  
USPC ..... **D13/159**  
  
(58) **Field of Classification Search**  
USPC ..... D13/101, 110, 123, 133, 158-162, 183,  
D13/184, 199; 200/43.14, 50.01,  
200/50.21-50.23, 293; 361/42, 44, 50, 71,  
361/115, 608, 634

See application file for complete search history.

(56) **References Cited**  
  
U.S. PATENT DOCUMENTS  
  
D434,728 S \* 12/2000 Huang ..... D13/147  
D616,820 S \* 6/2010 Gong et al. .... D13/133  
D656,903 S \* 4/2012 Suzuki et al. .... D13/159  
D656,904 S \* 4/2012 Suzuki et al. .... D13/159  
D657,749 S \* 4/2012 Suzuki et al. .... D13/159  
D690,660 S \* 10/2013 Suzuki et al. .... D13/159

\* cited by examiner  
  
*Primary Examiner* — Thomas Johannes  
*Assistant Examiner* — Shawn T Gingrich  
(74) *Attorney, Agent, or Firm* — Young & Thompson

(57) **CLAIM**  
The ornamental design for an electromagnetic contact device, as shown and described.

**DESCRIPTION**  
  
FIG. 1 is a perspective view of front, top and right side of an electromagnetic contact device showing our new design; FIG. 2 is a perspective view of front, top and left side thereof; FIG. 3 is a perspective view of front, bottom and right side thereof; FIG. 4 is a perspective view of front, bottom and left side thereof; FIG. 5 is a perspective view of rear, top and right side thereof; FIG. 6 is a front view thereof; FIG. 7 is a rear view thereof; FIG. 8 is a left side view thereof; FIG. 9 is a right side view thereof; FIG. 10 is a top view thereof; and, FIG. 11 is a bottom view thereof.  
The broken line portion of the figure drawings is included to show unclaimed subject matter only and forms no part of the claimed design.

**1 Claim, 11 Drawing Sheets**

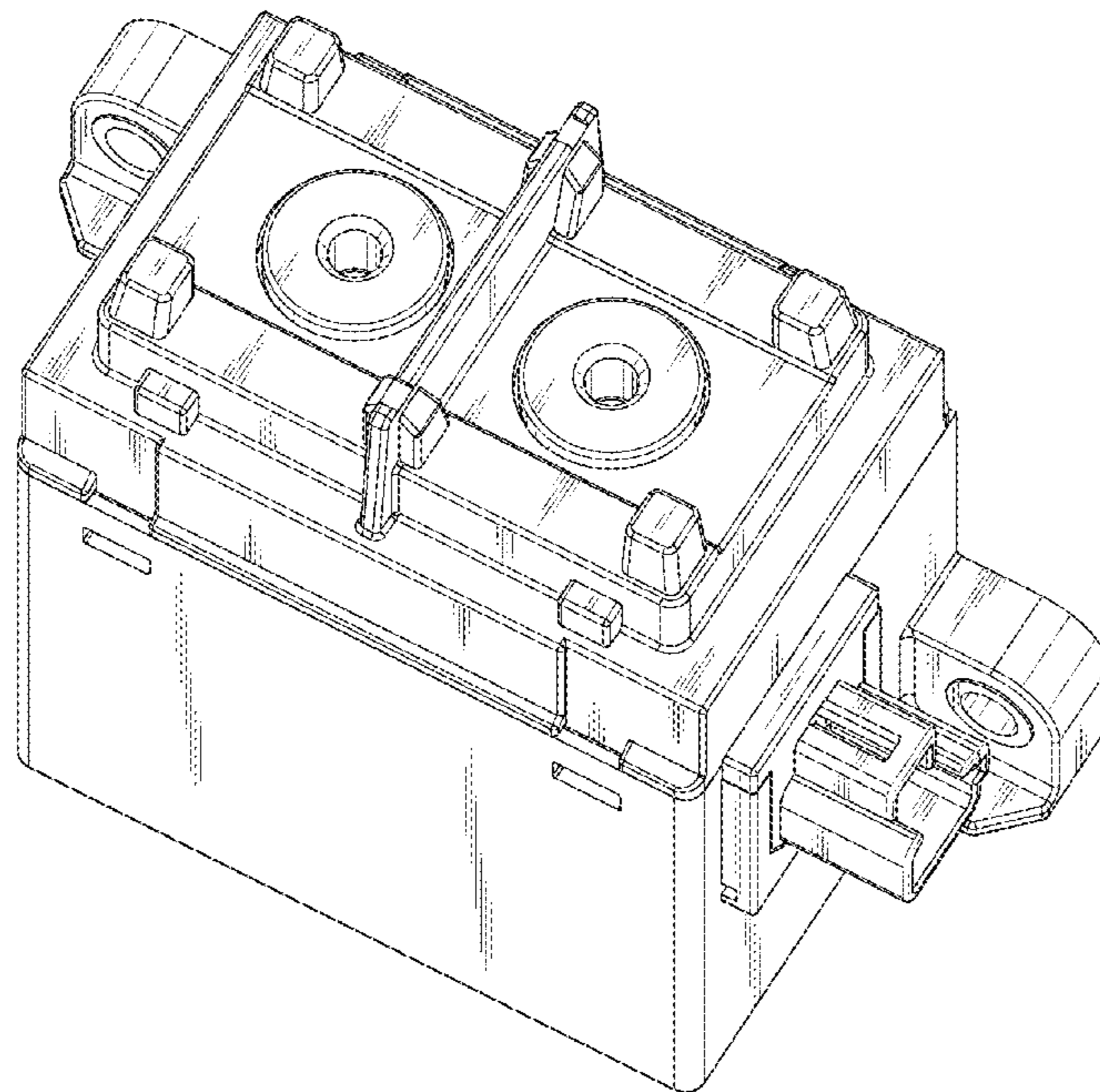


Fig. 1

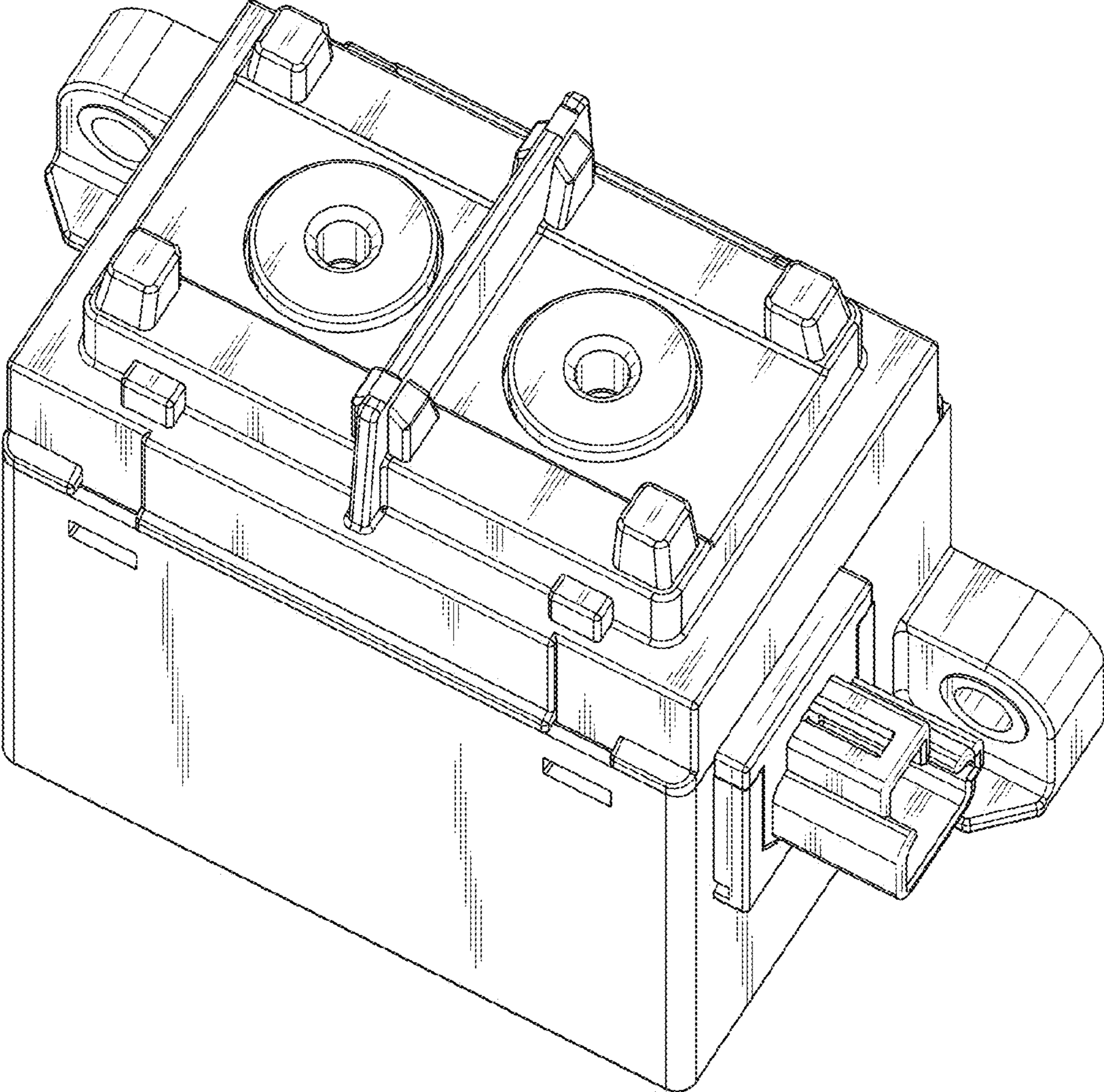




Fig. 2

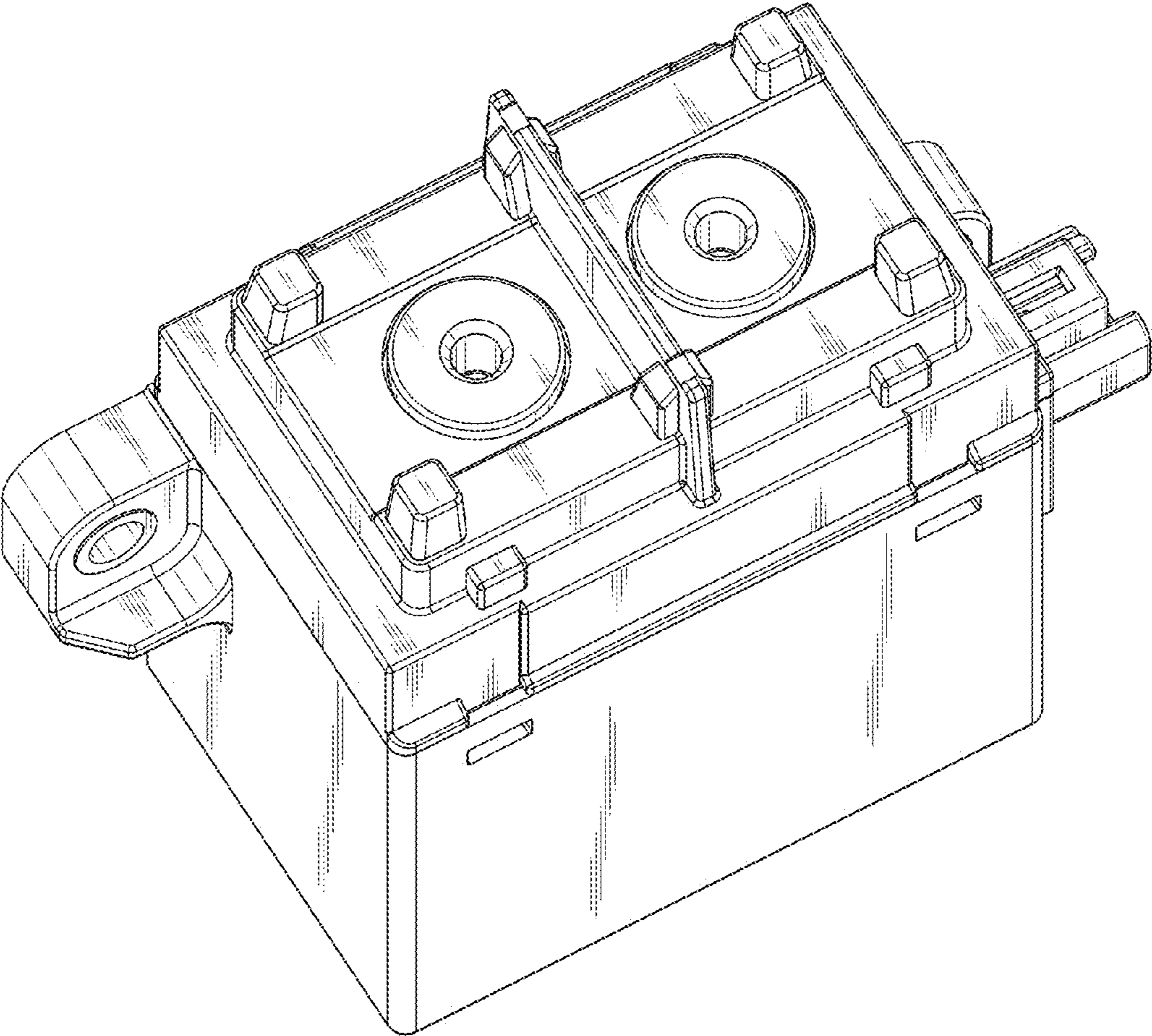


Fig. 3

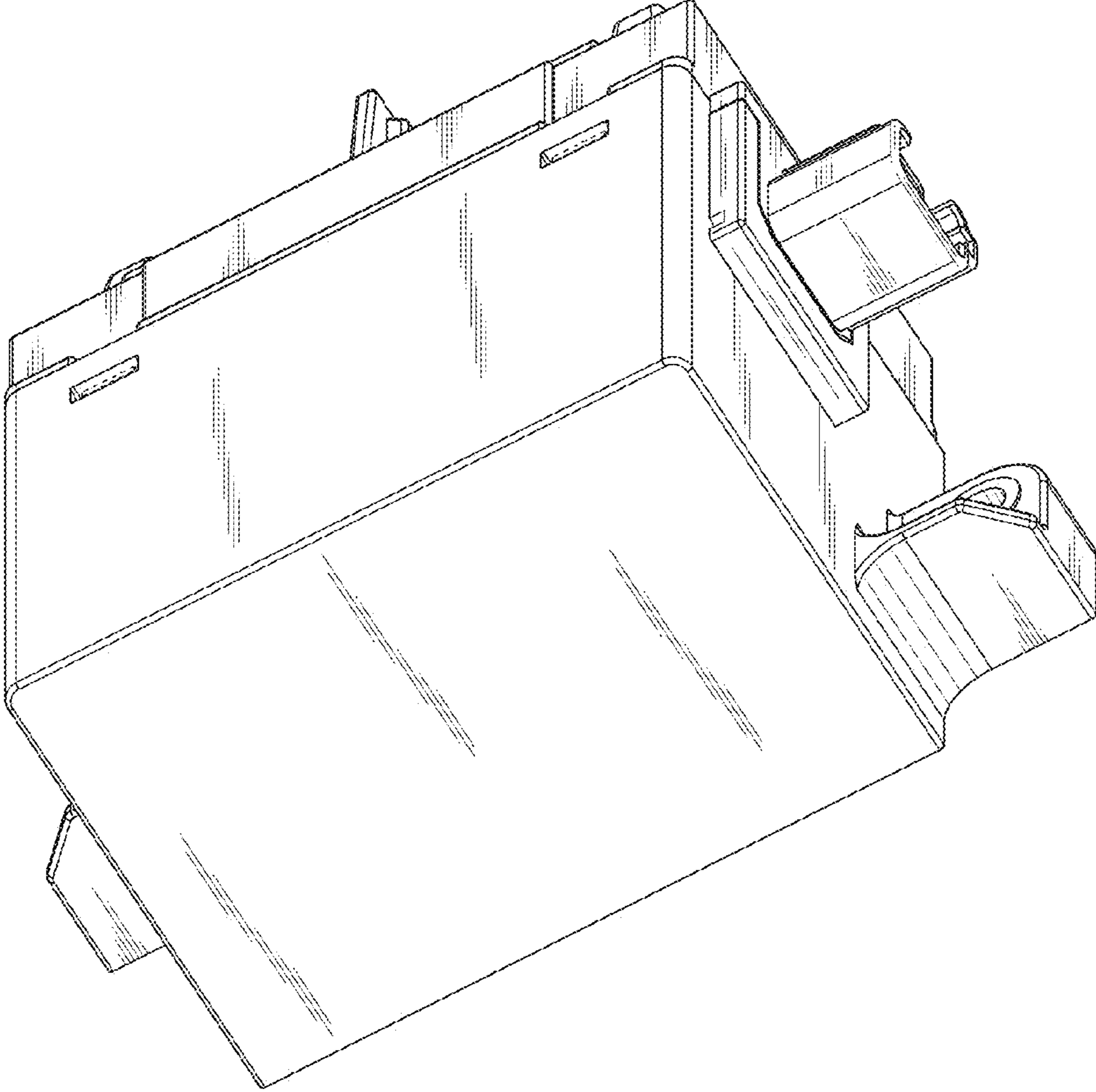


Fig. 4

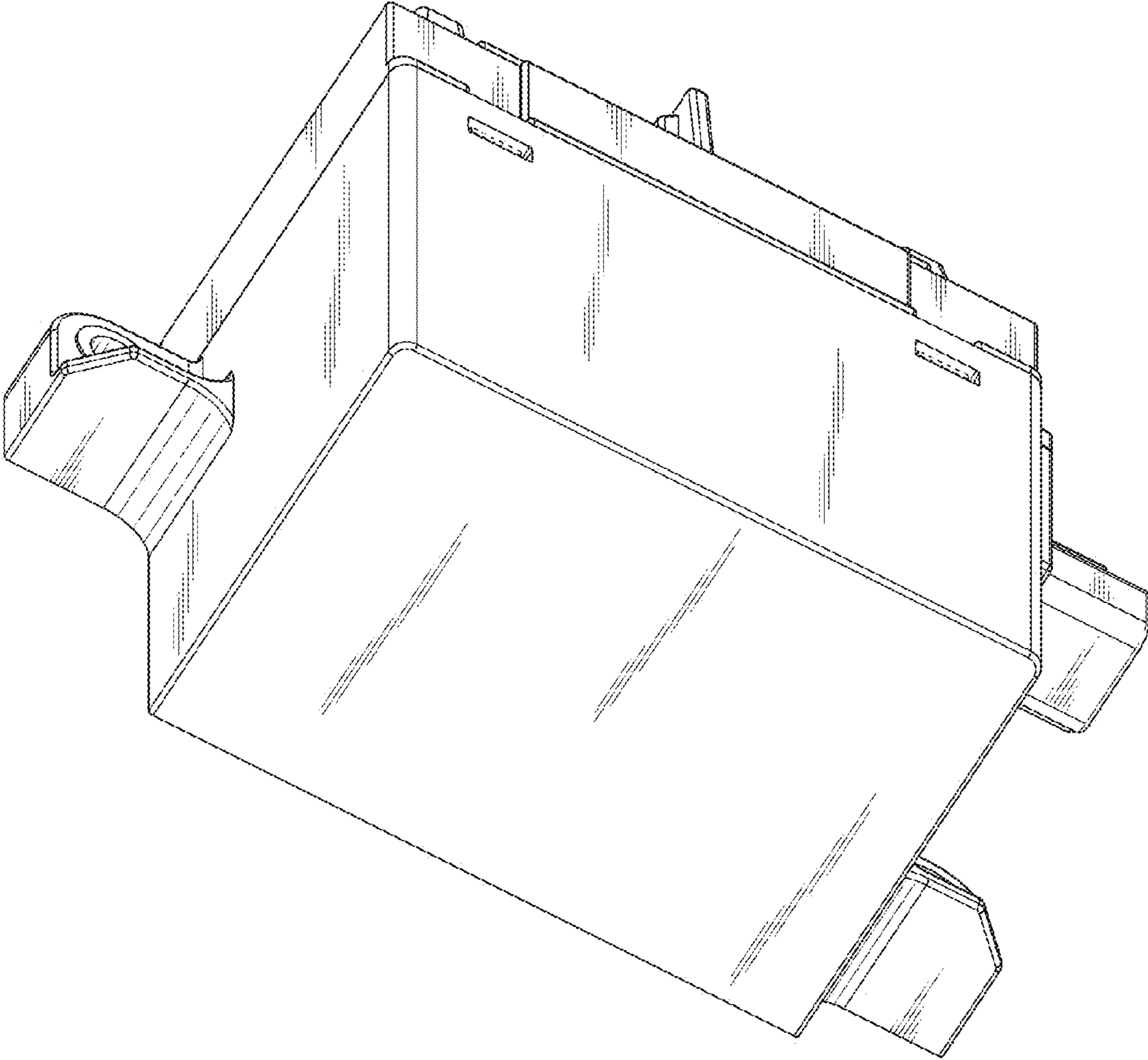


Fig. 5

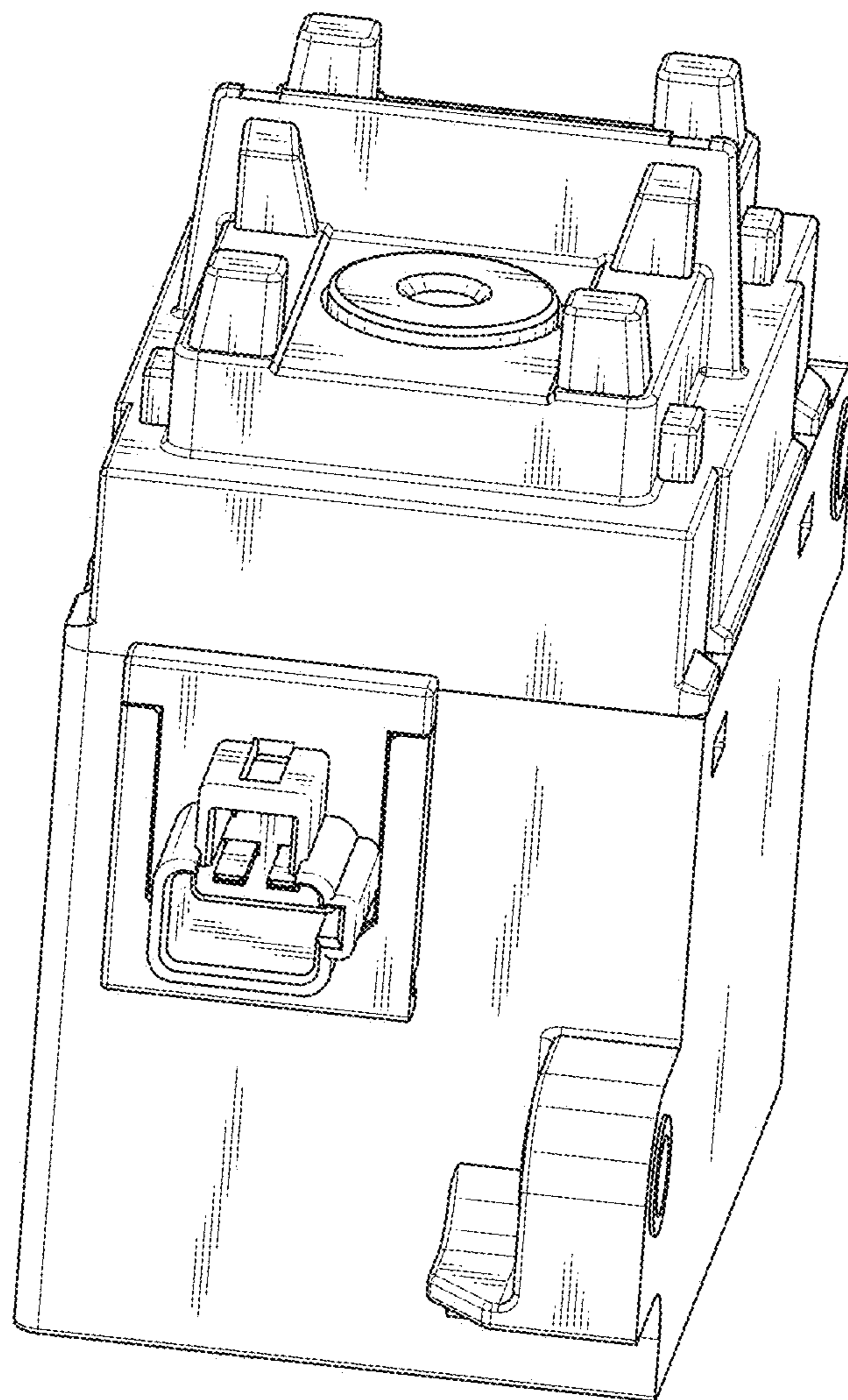


Fig. 6

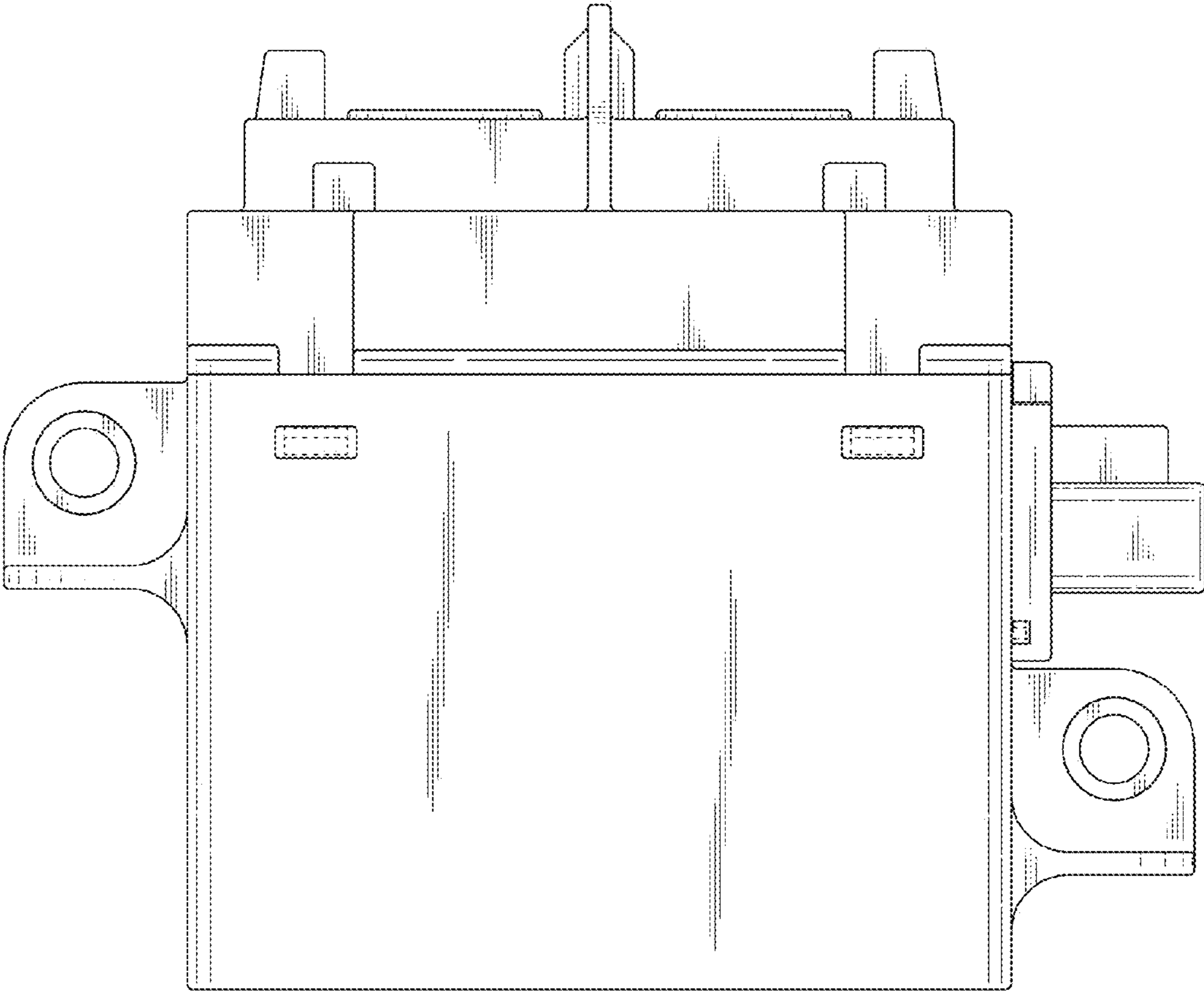




Fig. 7

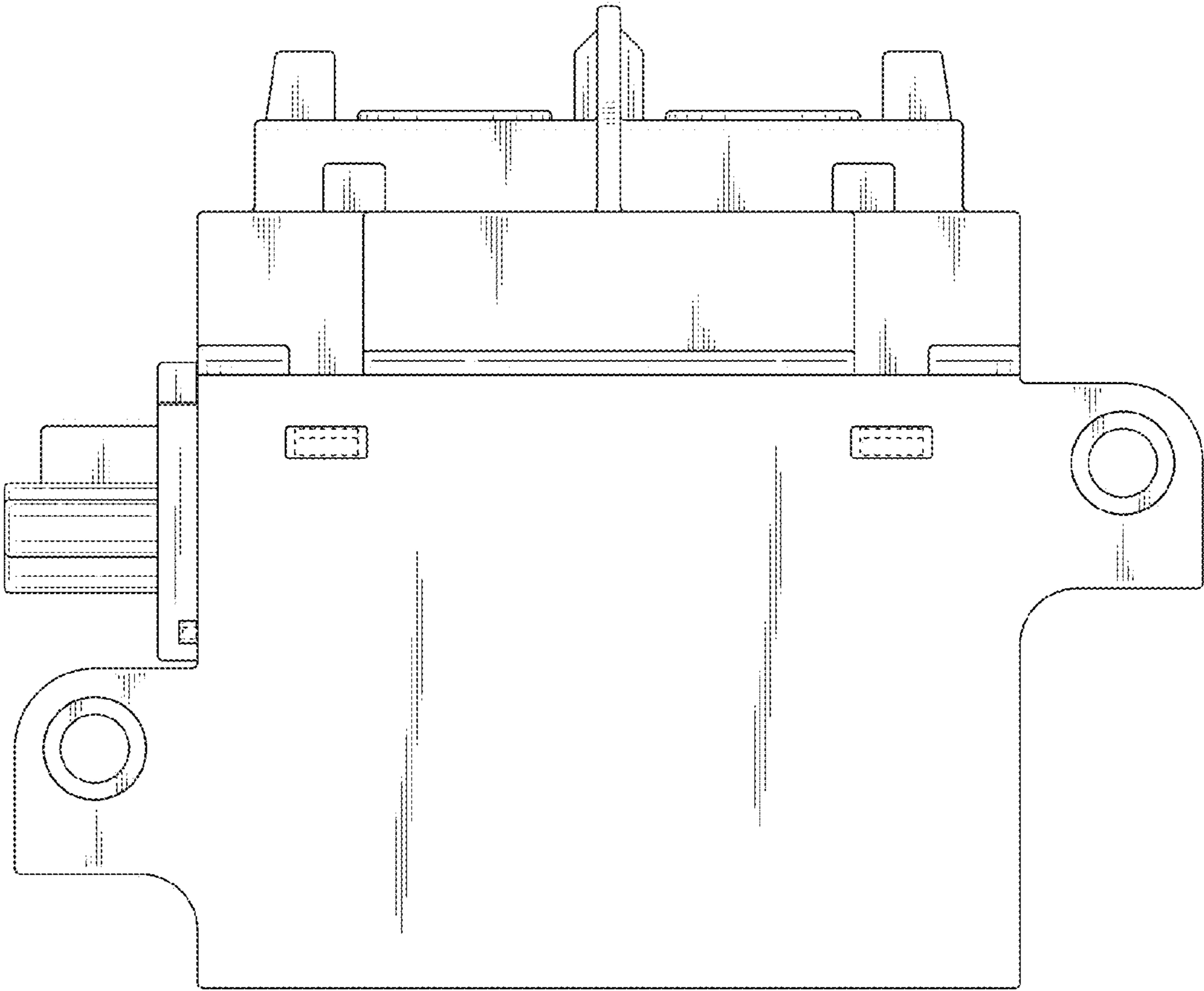




Fig. 8

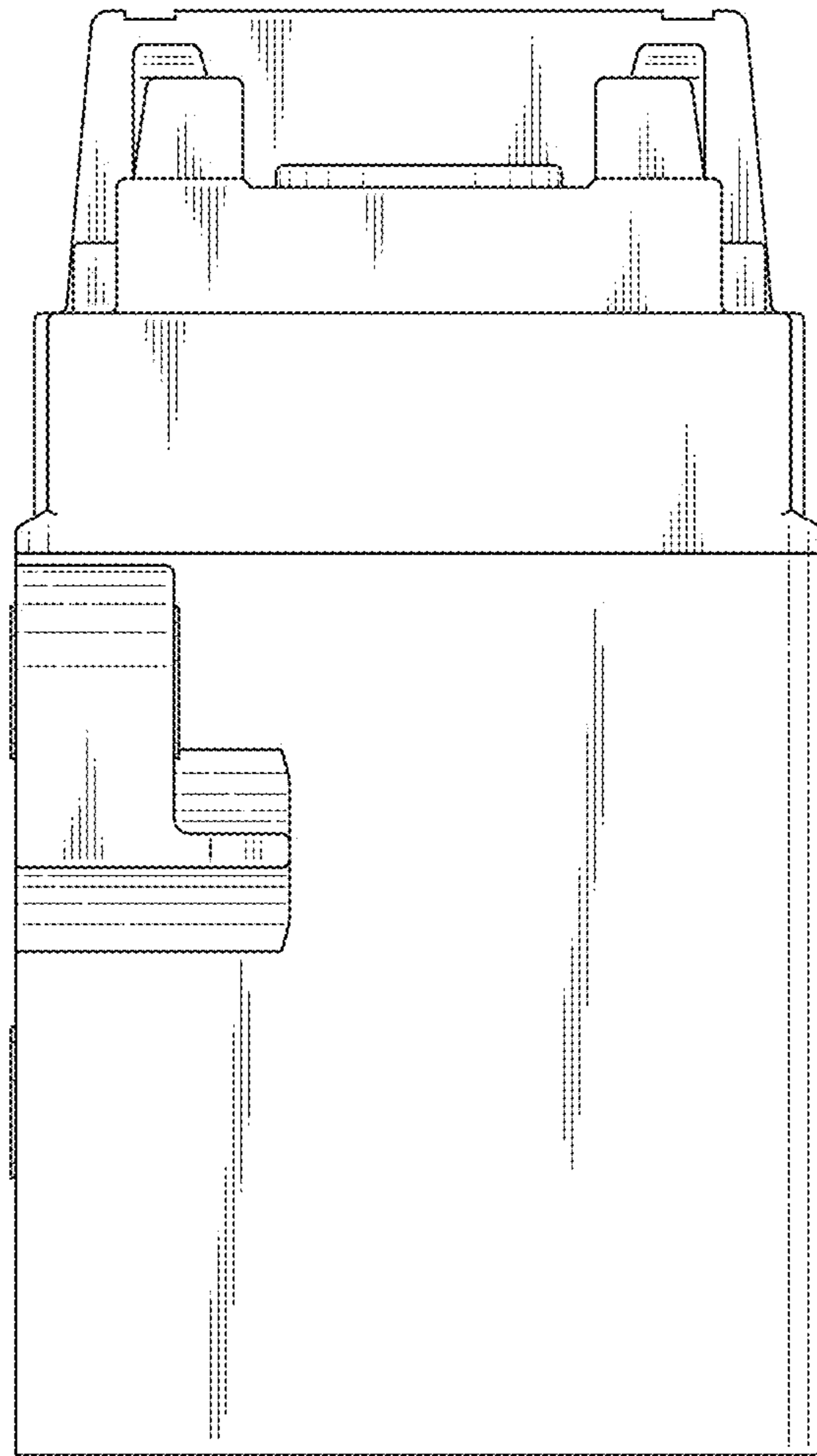


Fig. 9

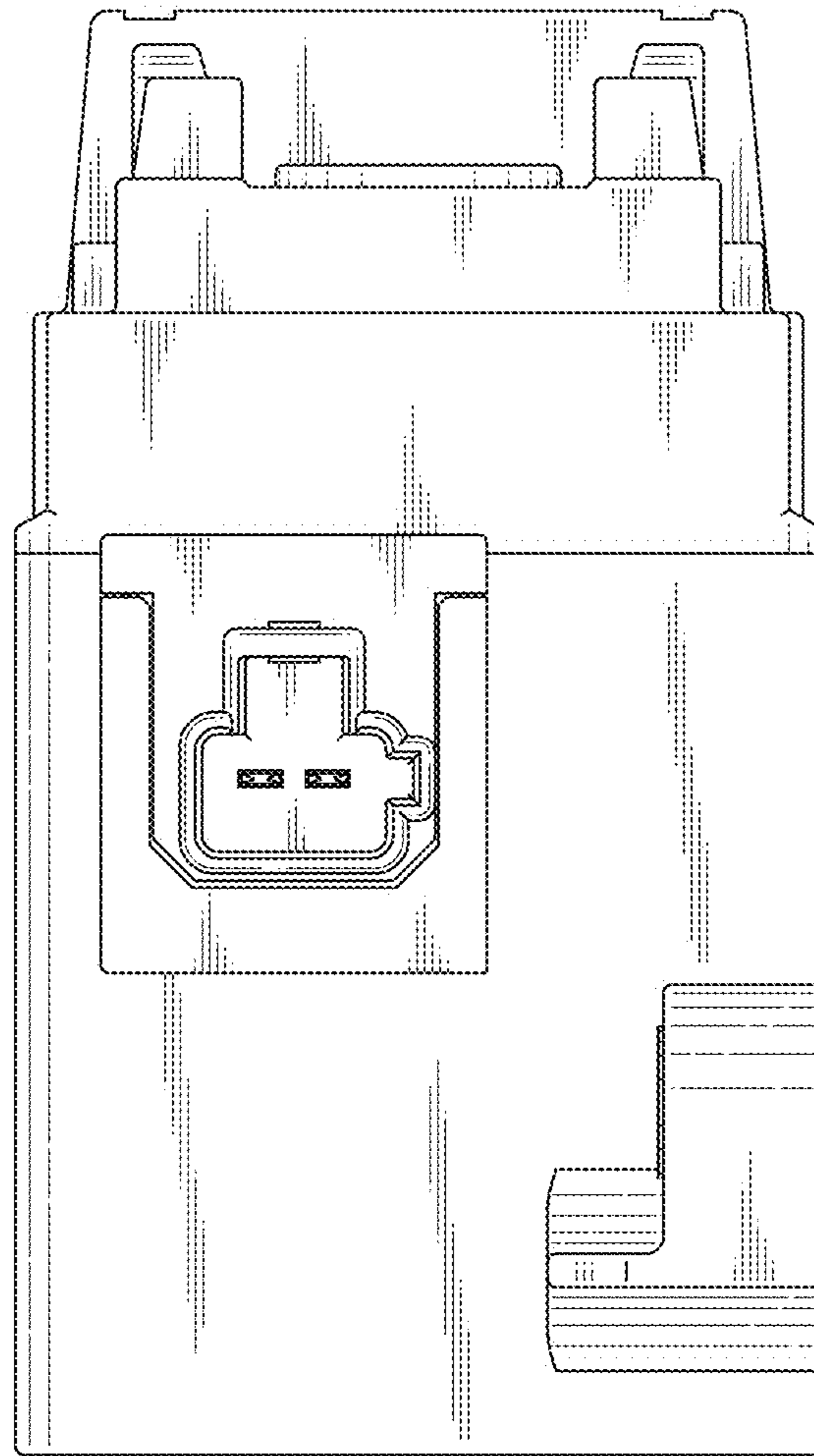


Fig. 10

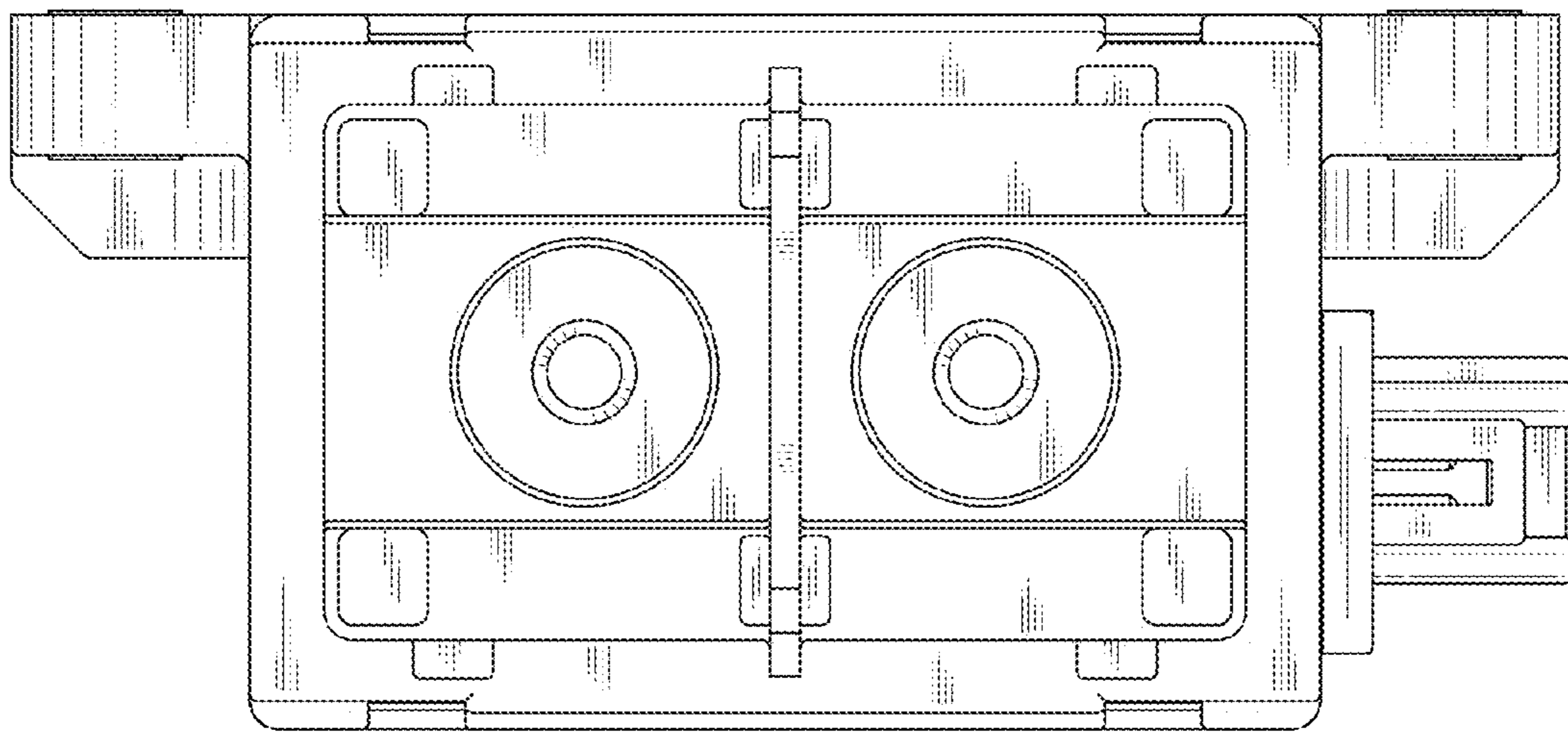


Fig. 11

