



US00D729746S

(12) **United States Design Patent**
Millevik

(10) **Patent No.:** **US D729,746 S**
(45) **Date of Patent:** **** May 19, 2015**

(54) **CABLE AND PIPE PENETRATION SEAL**

(71) Applicant: **Roxtec AB**, Karlskrona (SE)

(72) Inventor: **Bo Millevik**, Karlskrona (SE)

(73) Assignee: **ROXTEC AB**, Karlskrona (SE)

(**) Term: **14 Years**

(21) Appl. No.: **29/503,820**

(22) Filed: **Sep. 30, 2014**

Related U.S. Application Data

(60) Continuation of application No. 29/472,512, filed on Nov. 13, 2013, now Pat. No. Des. 715,744, which is a continuation of application No. 29/457,005, filed on Jun. 6, 2013, now abandoned, and a division of application No. 29/401,344, filed on Sep. 11, 2011, now abandoned.

(51) **LOC (10) Cl.** **13-03**

(52) **U.S. Cl.**
USPC **D13/155**

(58) **Field of Classification Search**
USPC D13/133, 129, 132, 128, 155, 156, 160, D13/162, 163, 173, 177, 184, 199; D8/396; 174/74 R, 72 C, 75 C, 77 R, 377, 382, 174/386, 521, 524, 650, 656, 659; 248/49, 248/55, 62, 63, 65, 69, 73, 74.1-74.5
See application file for complete search history.

(56) **References Cited**

U.S. PATENT DOCUMENTS

2,849,027 A	8/1958	Tetyak
3,330,121 A	7/1967	Tait
3,460,788 A	8/1969	Goldman
4,270,250 A	6/1981	Schon
4,323,088 A	4/1982	McClellan
4,610,742 A	9/1986	Rop et al.
D289,138 S	4/1987	Nead

H000379 H	12/1987	Alexander, Jr.	
4,804,158 A	2/1989	Collins et al.	
4,840,194 A	6/1989	Berry	
4,919,372 A	4/1990	Twist et al.	
5,220,710 A	6/1993	Laudan et al.	
5,451,177 A *	9/1995	Gilman	446/128
5,732,180 A	3/1998	Kaplan	
5,736,672 A	4/1998	Huang	
5,794,897 A *	8/1998	Jobin et al.	248/74.4
5,795,634 A	8/1998	Fukui	

(Continued)

Primary Examiner — Derrick Holland

Assistant Examiner — Lauren Calve

(74) *Attorney, Agent, or Firm* — Harness, Dickey & Pierce, P.L.C.

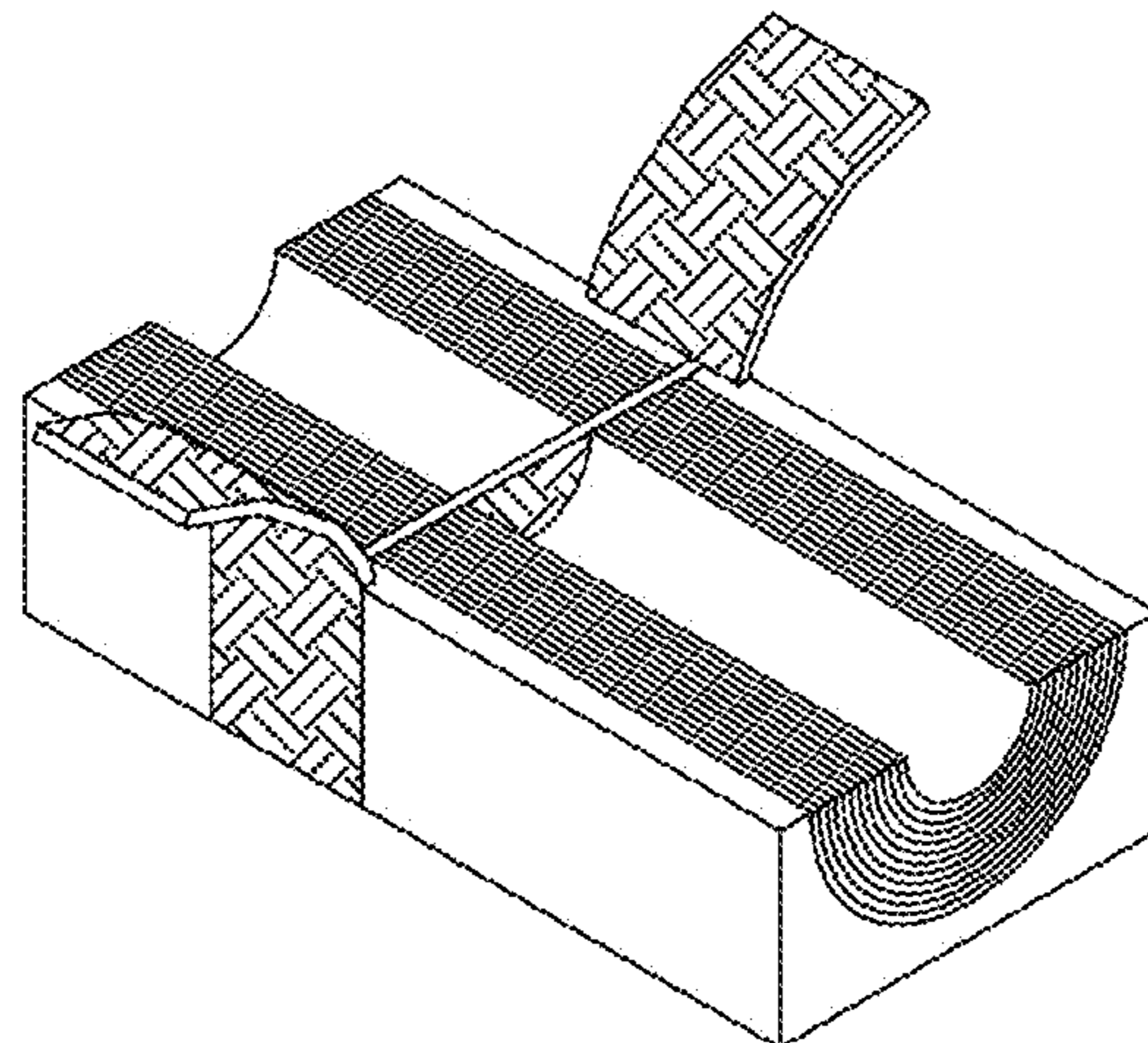
(57) **CLAIM**

The ornamental design for a cable and pipe penetration seal, as shown and described.

DESCRIPTION

FIG. 1 is top perspective view of a first embodiment of a cable and pipe penetration seal showing my new design;
 FIG. 2 is a first end view thereof;
 FIG. 3 is a first side elevational top view thereof;
 FIG. 4 is a second end view thereof;
 FIG. 5 is a second side elevational view thereof;
 FIG. 6 is a top view thereof;
 FIG. 7 is a bottom view thereof; and
 FIG. 8 is a bottom perspective view thereof.
 FIG. 9 is top perspective view of a second embodiment of a cable and pipe penetration seal showing my new design;
 FIG. 10 is a first end view thereof;
 FIG. 11 is a side elevational top view thereof, the opposite side being a mirror image thereof;
 FIG. 12 is a second end view thereof;
 FIG. 13 is a top view thereof;
 FIG. 14 is a bottom view thereof; and,
 FIG. 15 is a bottom perspective view thereof.

1 Claim, 15 Drawing Sheets



(56)

References Cited

U.S. PATENT DOCUMENTS

5,939,676	A	8/1999	Birmingham et al.	7,621,487	B2	11/2009	Brown et al.	
5,960,602	A	10/1999	Goss et al.	7,692,095	B2 *	4/2010	Katsumata et al.	174/72 R
6,107,571	A	8/2000	Damm	7,781,684	B2	8/2010	Stuckmann et al.	
6,173,926	B1	1/2001	Elvegaard	7,790,252	B2	9/2010	Nematollahi	
6,561,466	B1	5/2003	Myers et al.	7,861,983	B2	1/2011	Lange et al.	
6,561,723	B2	5/2003	McCurdy et al.	8,074,945	B2	12/2011	Schoenau et al.	
6,627,817	B1	9/2003	Kortenbach	8,541,699	B2	9/2013	Milton	
7,010,889	B1	3/2006	Renfro	D694,192	S	11/2013	Millevik	
7,178,203	B2	2/2007	Pearson et al.	D695,694	S *	12/2013	Millevik	D13/155
7,278,190	B2	10/2007	Fischer et al.	D704,668	S *	5/2014	Millevik	D13/155
7,371,969	B2 *	5/2008	Hedstrom	D715,744	S *	10/2014	Millevik	D13/155
7,411,128	B2	8/2008	Drotleff et al.	2002/0000499	A1	1/2002	Aoki et al.	
7,446,267	B2	11/2008	Hedstrom	2005/0121217	A1 *	6/2005	Hedstrom	174/52.3
D590,022	S	4/2009	Misumi	2009/0026324	A1	1/2009	Hensley et al.	
				2010/0108825	A1	5/2010	Brock	
				2011/0248453	A1	10/2011	Johansson et al.	
				2012/0032036	A1	2/2012	Andersson et al.	

* cited by examiner

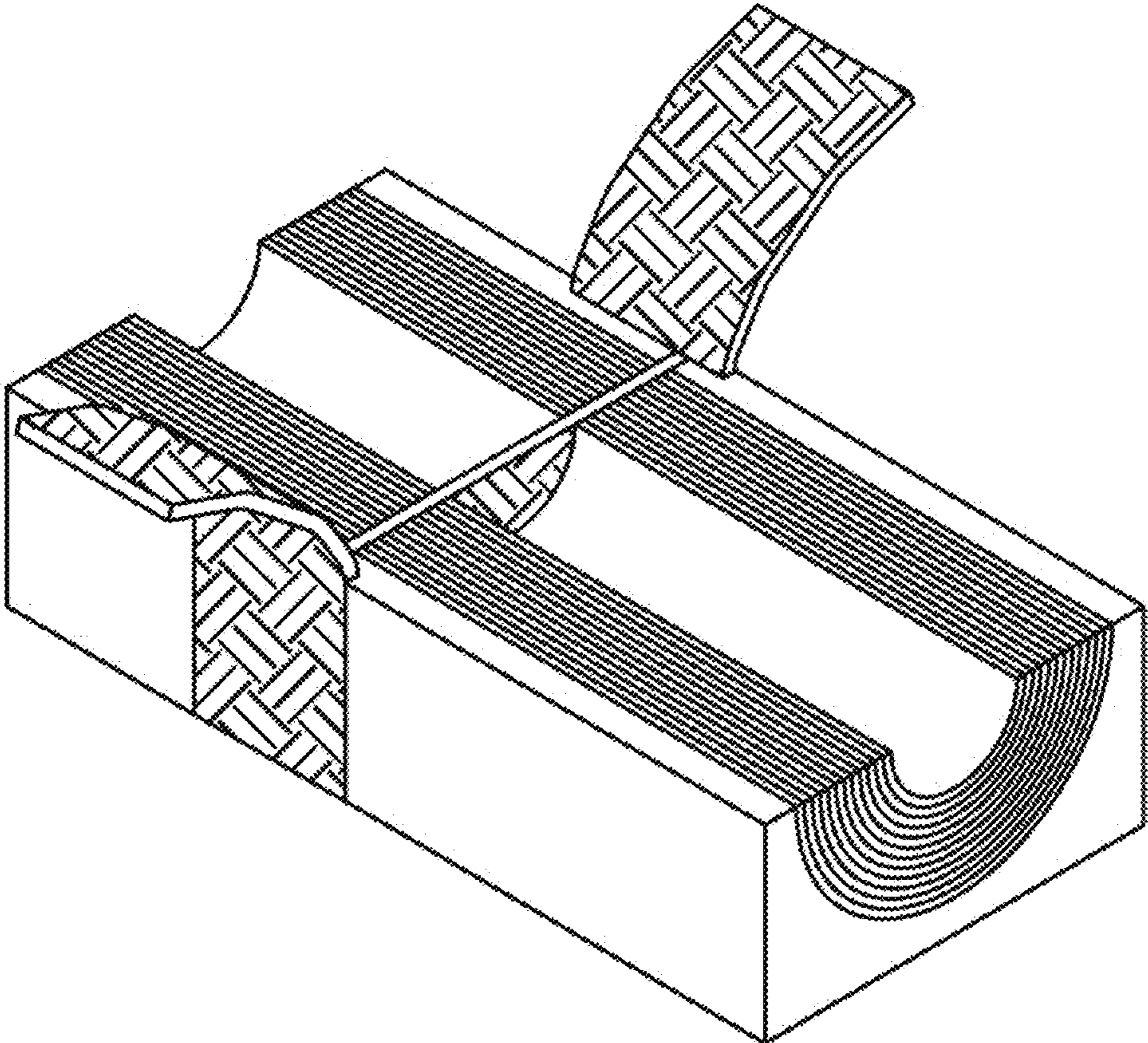


FIG. 1

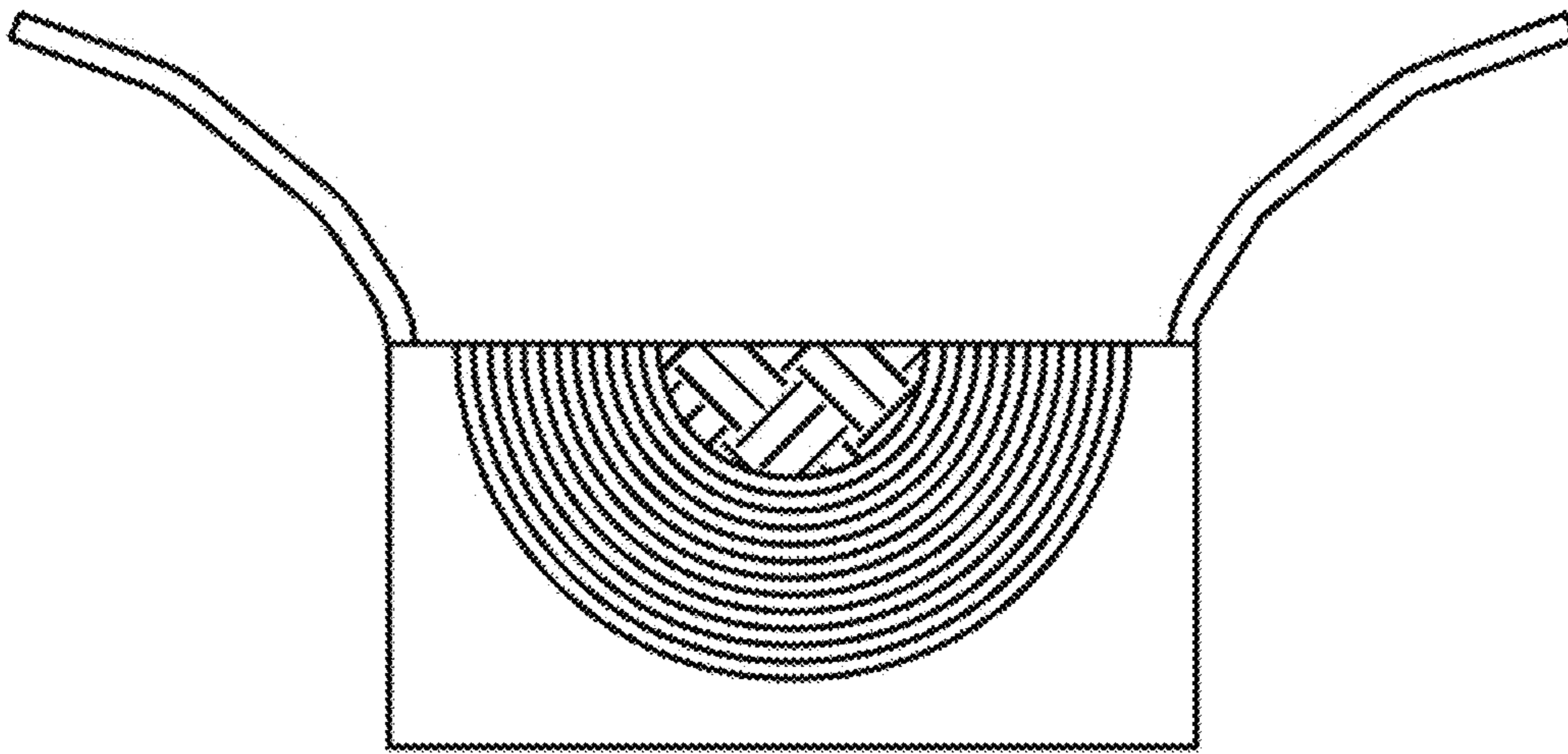


FIG. 2

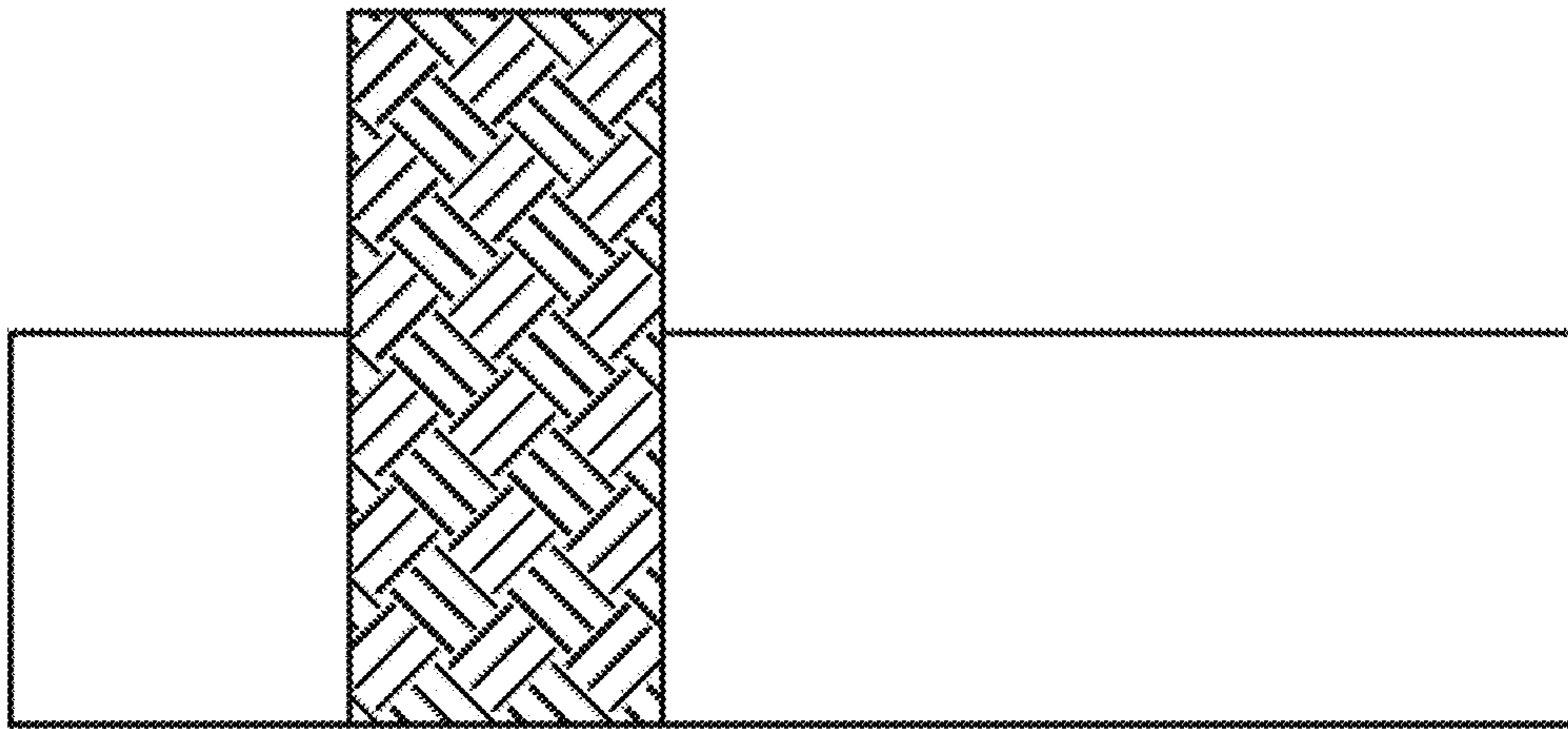


FIG. 3

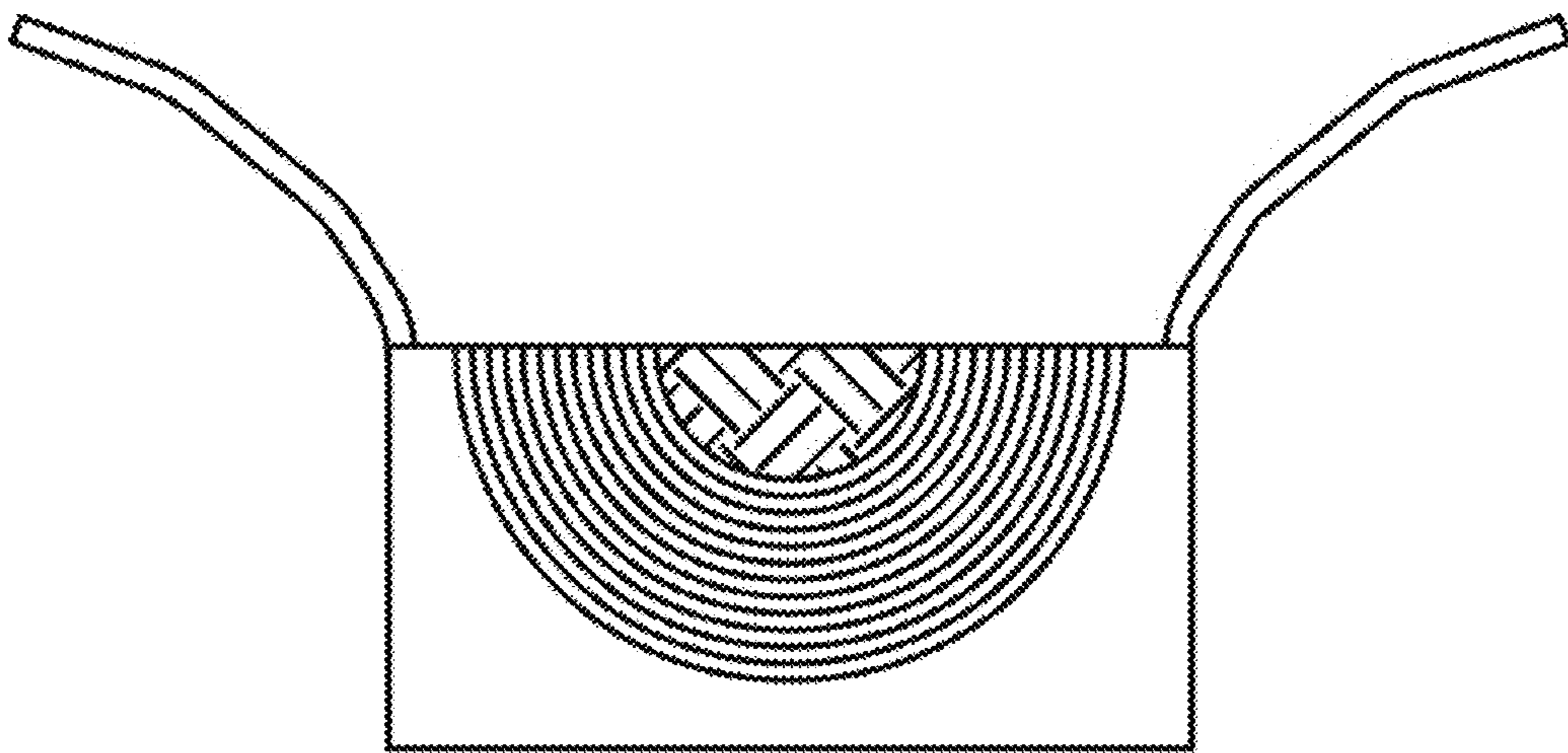


FIG. 4

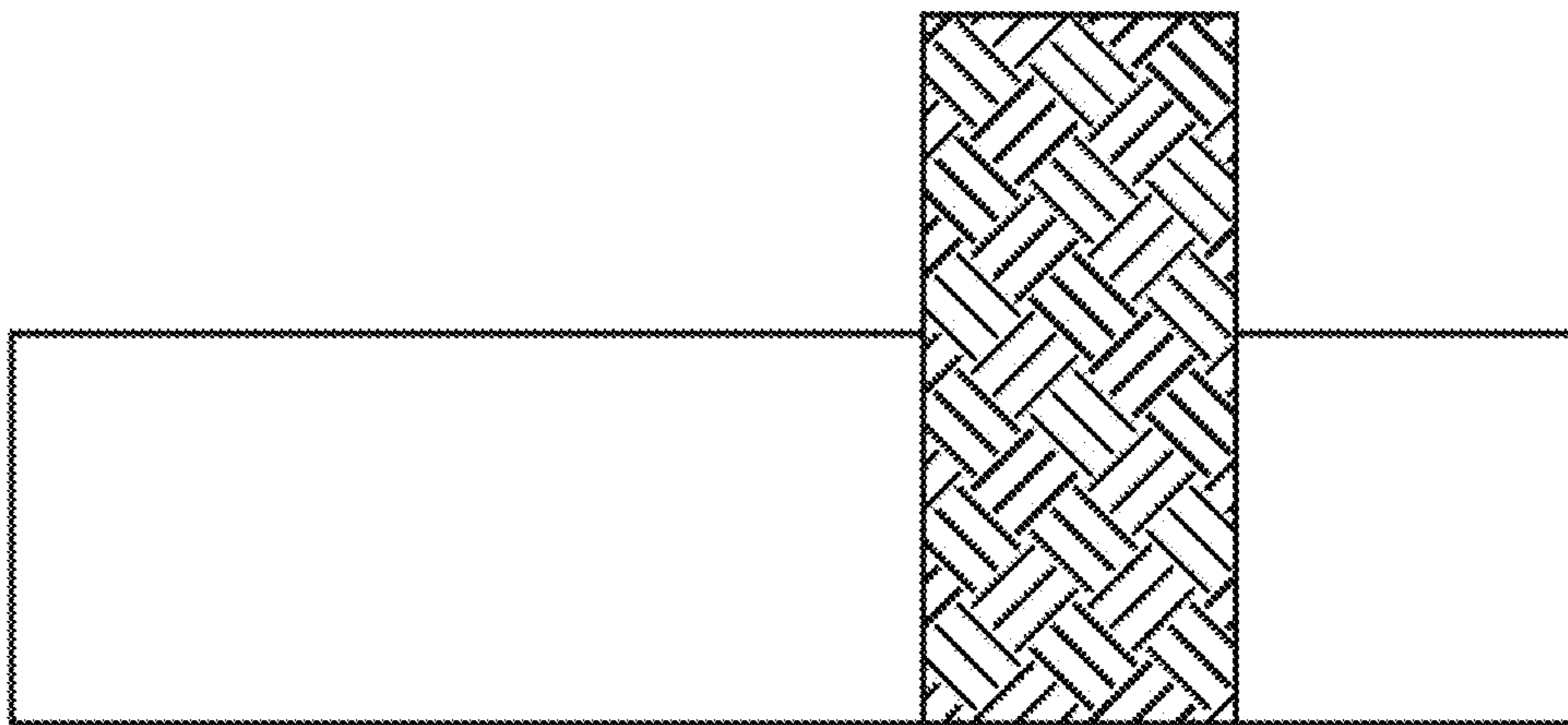


FIG. 5

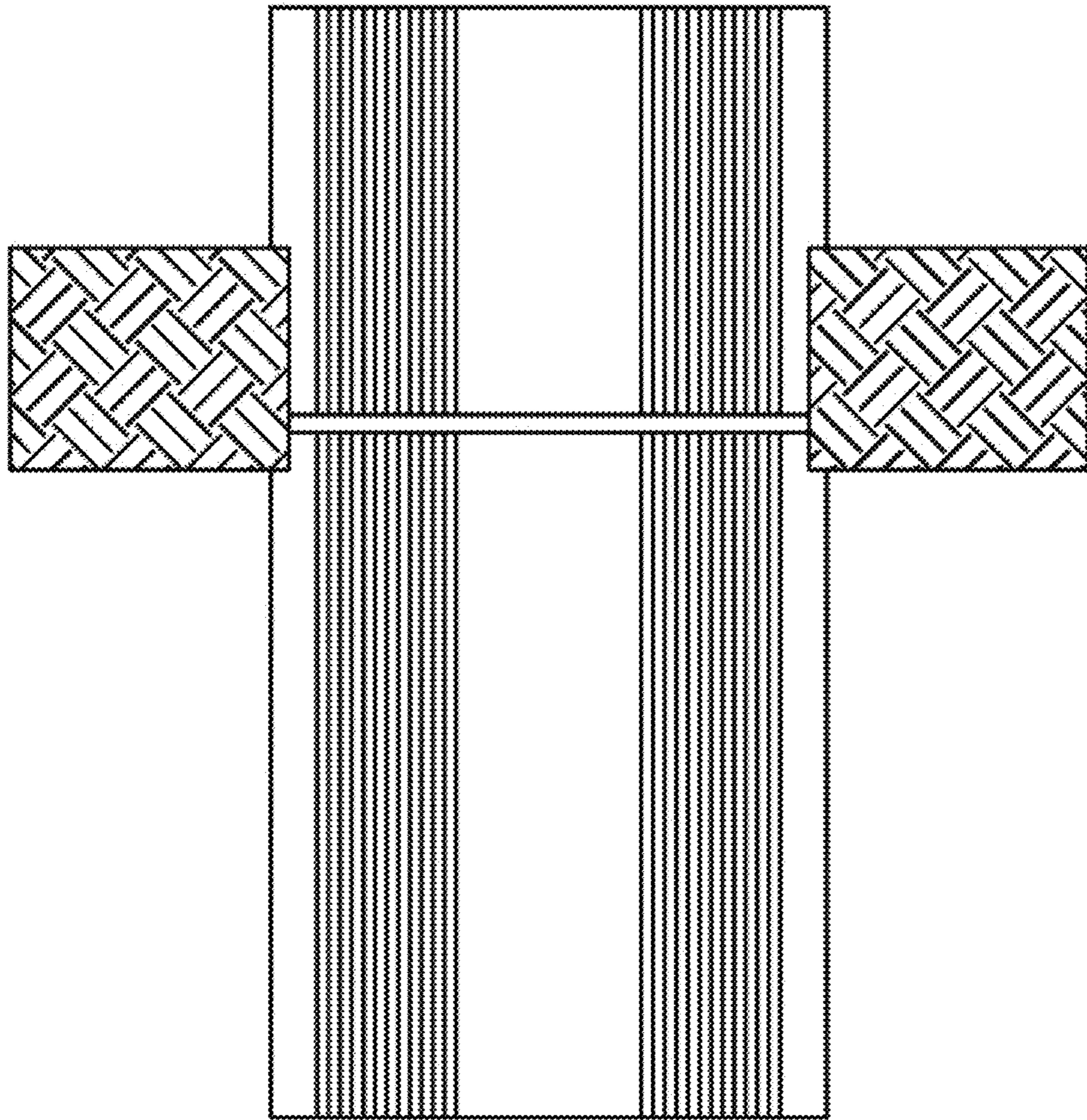


FIG. 6

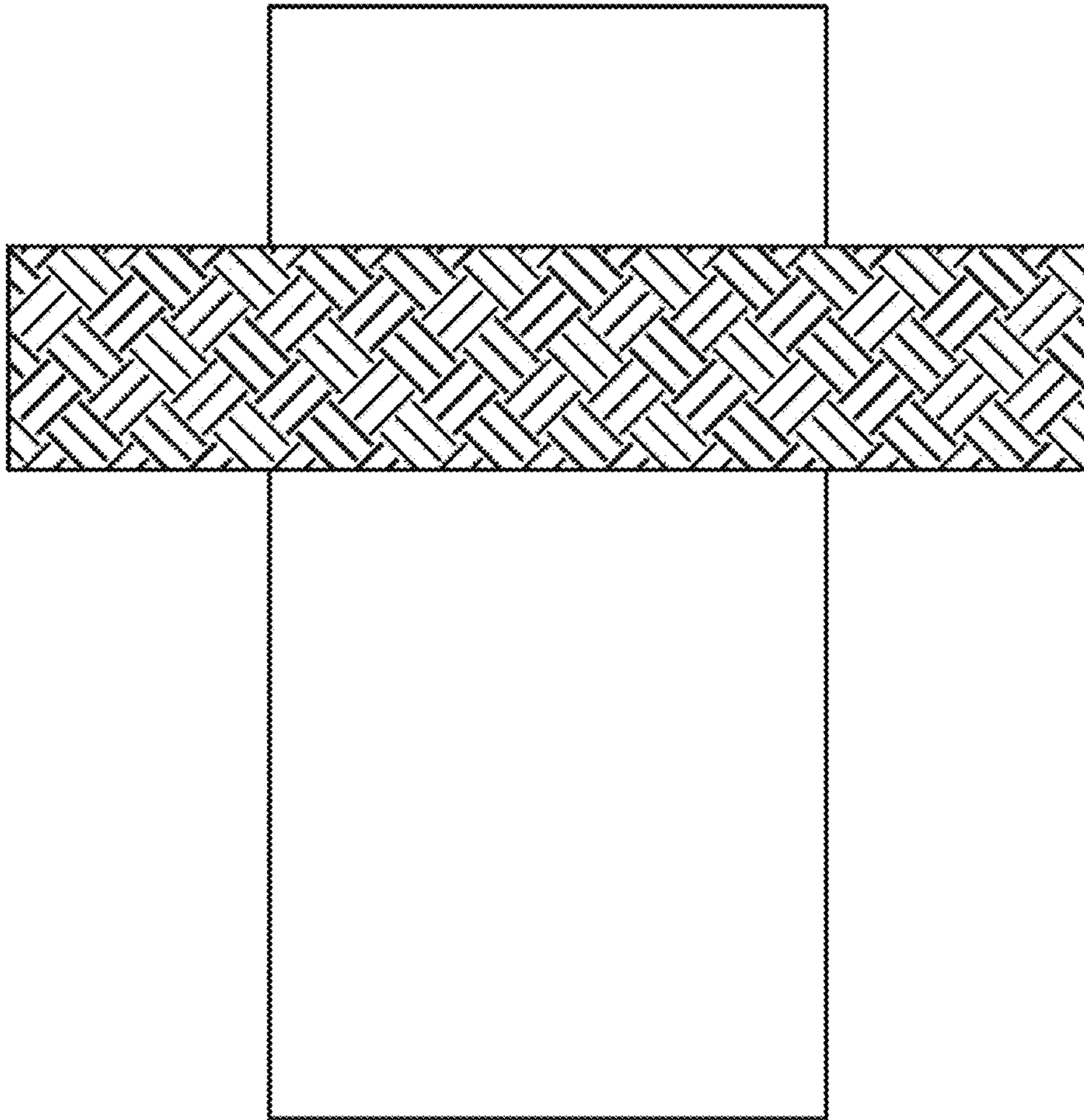


FIG. 7

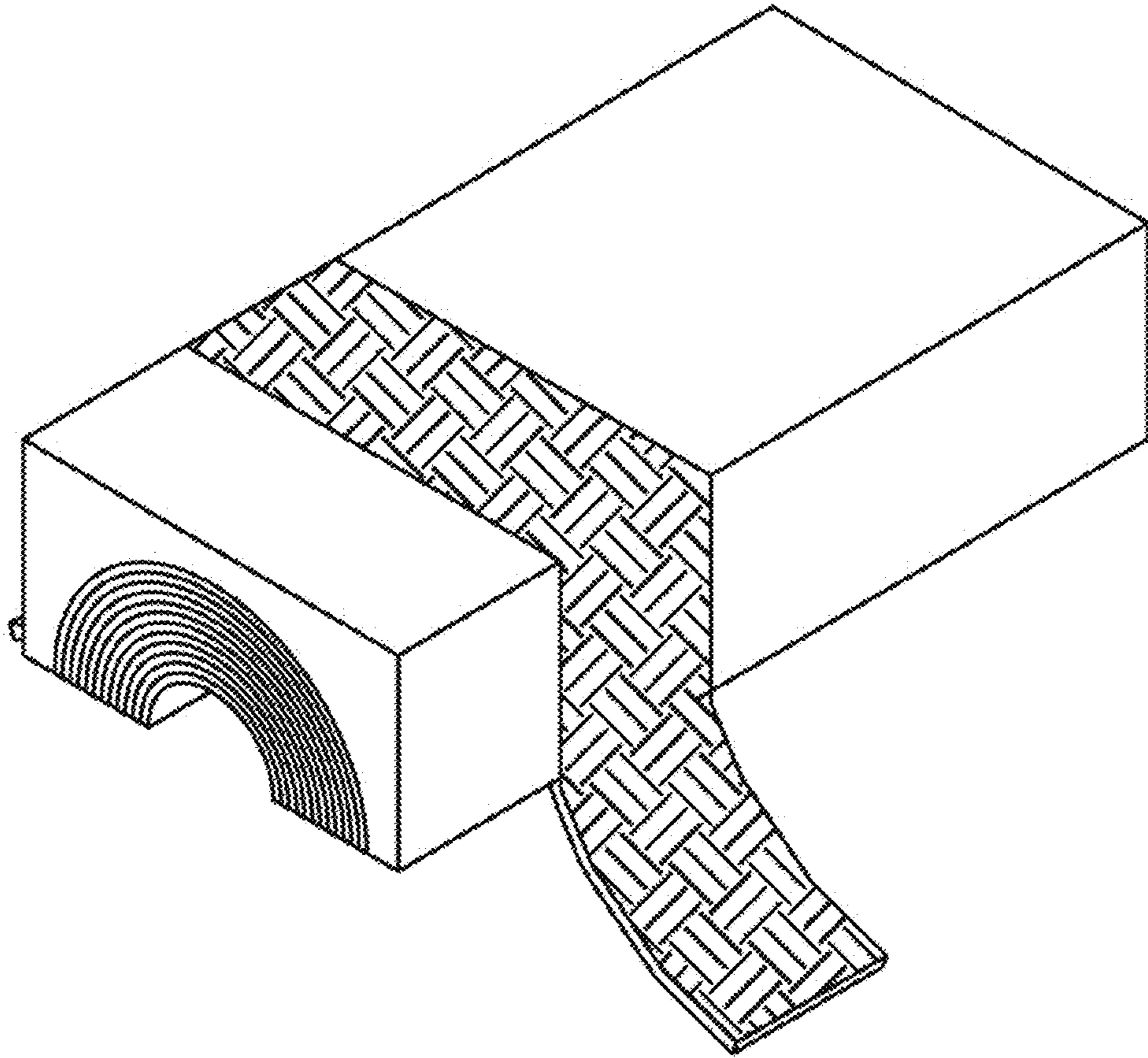


FIG. 8

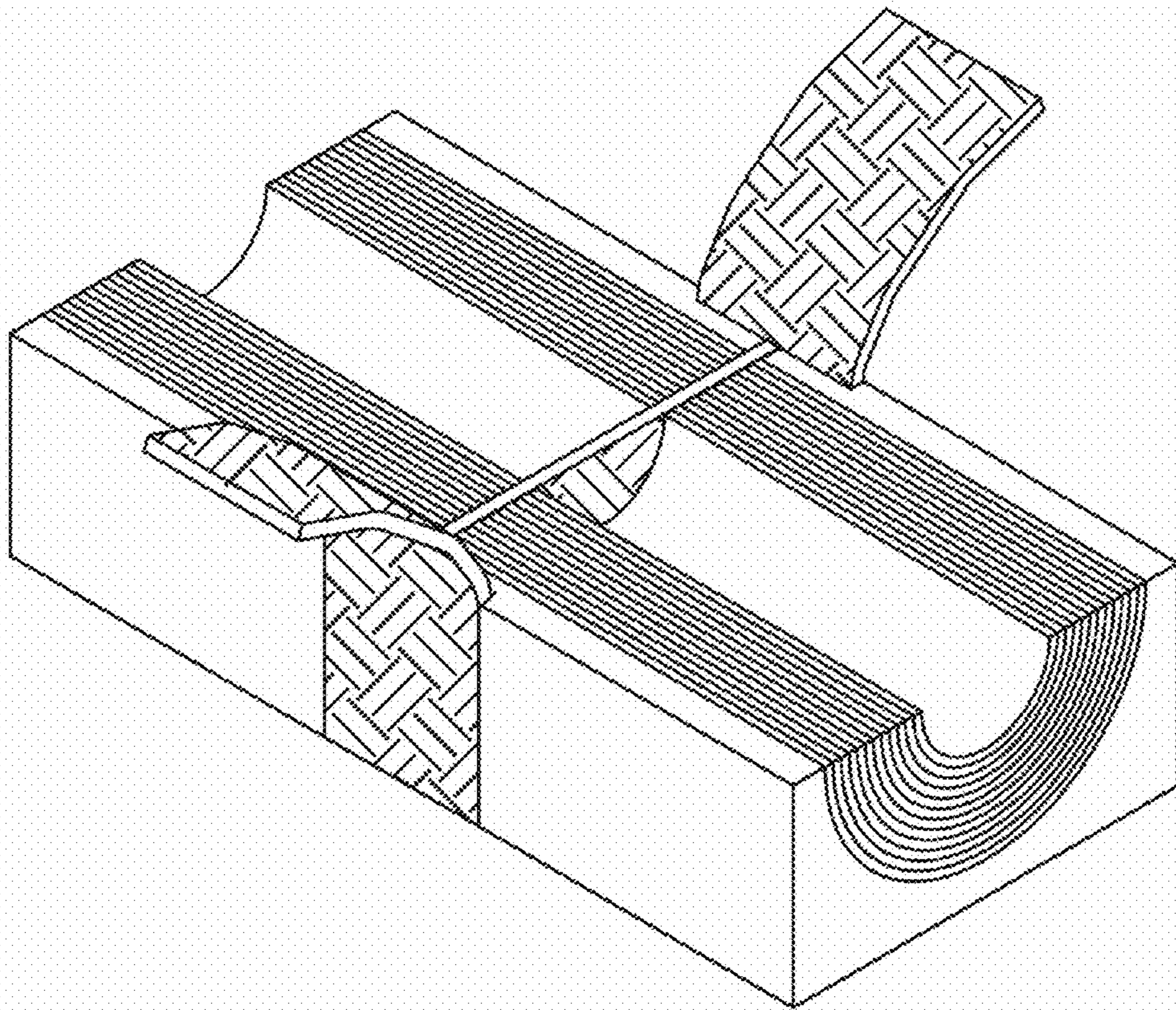


FIG. 9

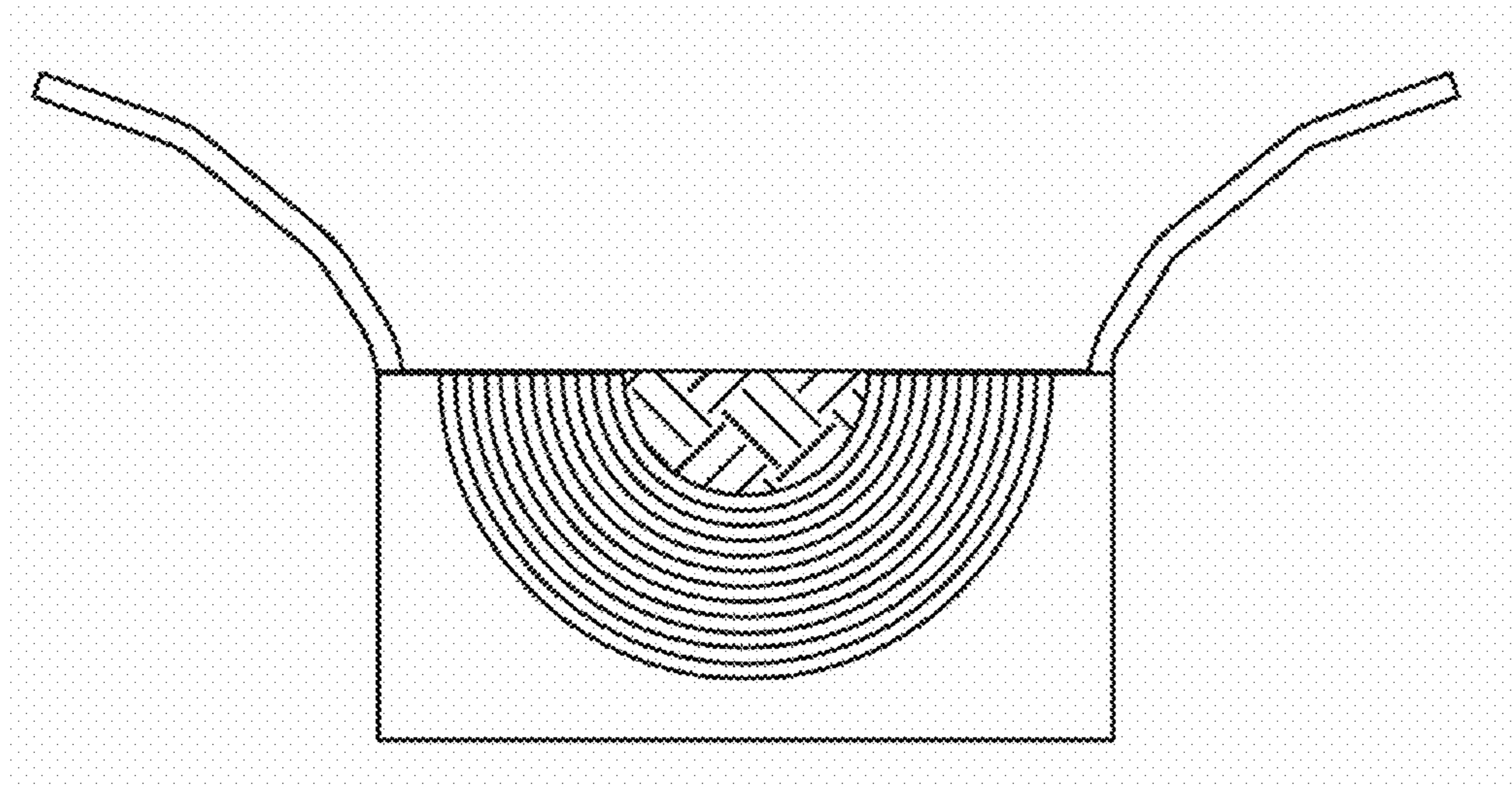


FIG. 10

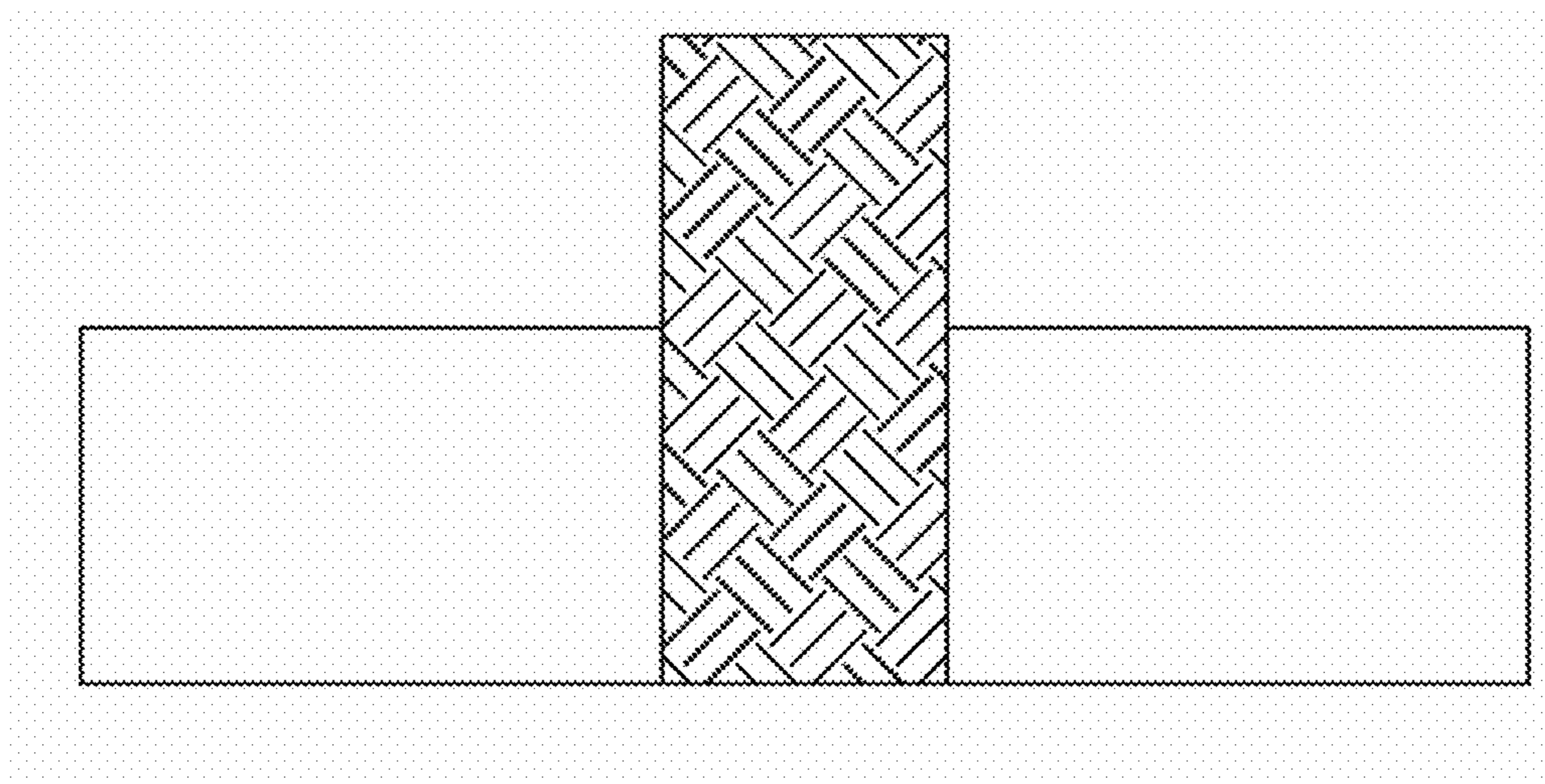


FIG. 11

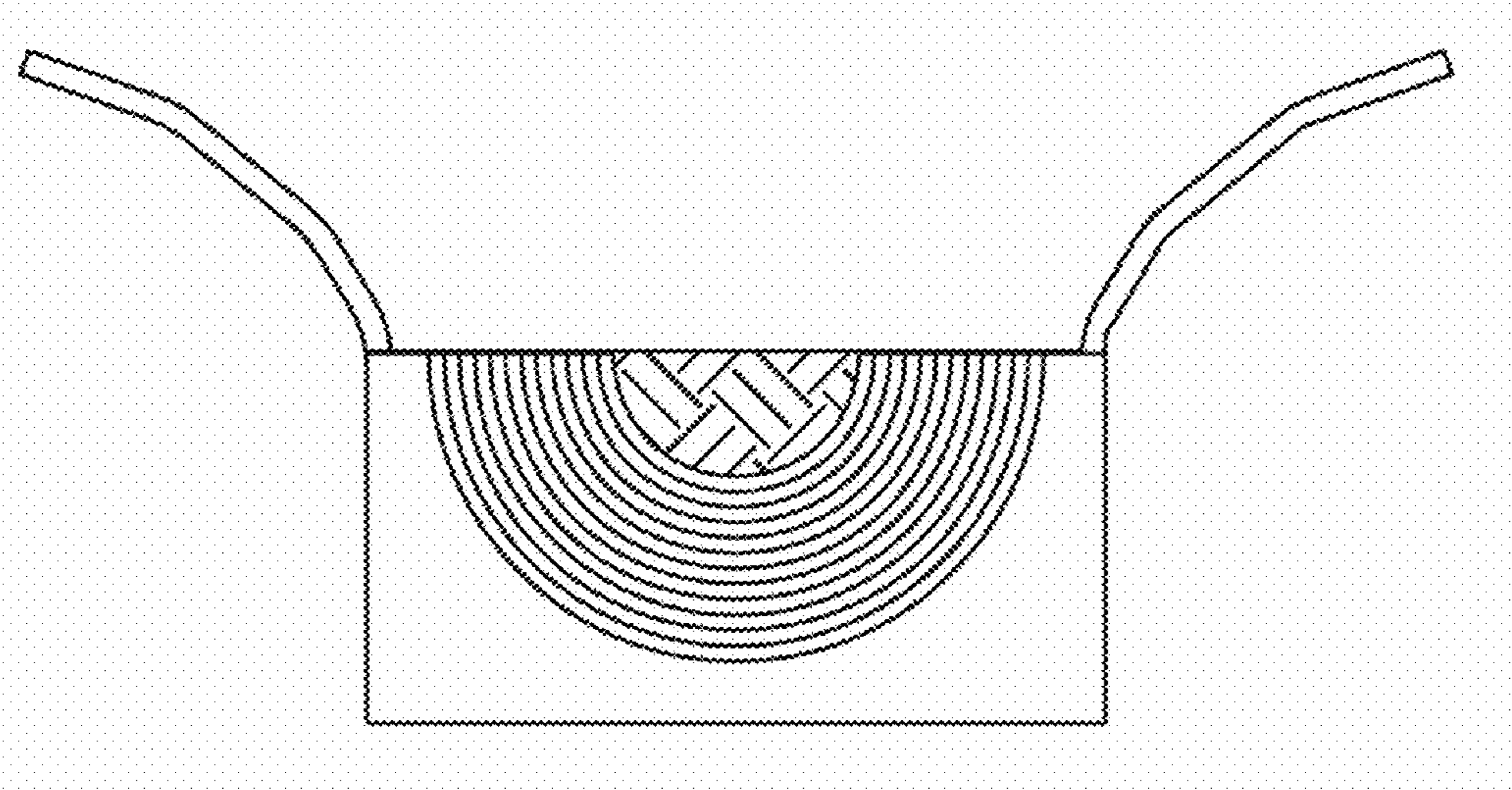


FIG. 12

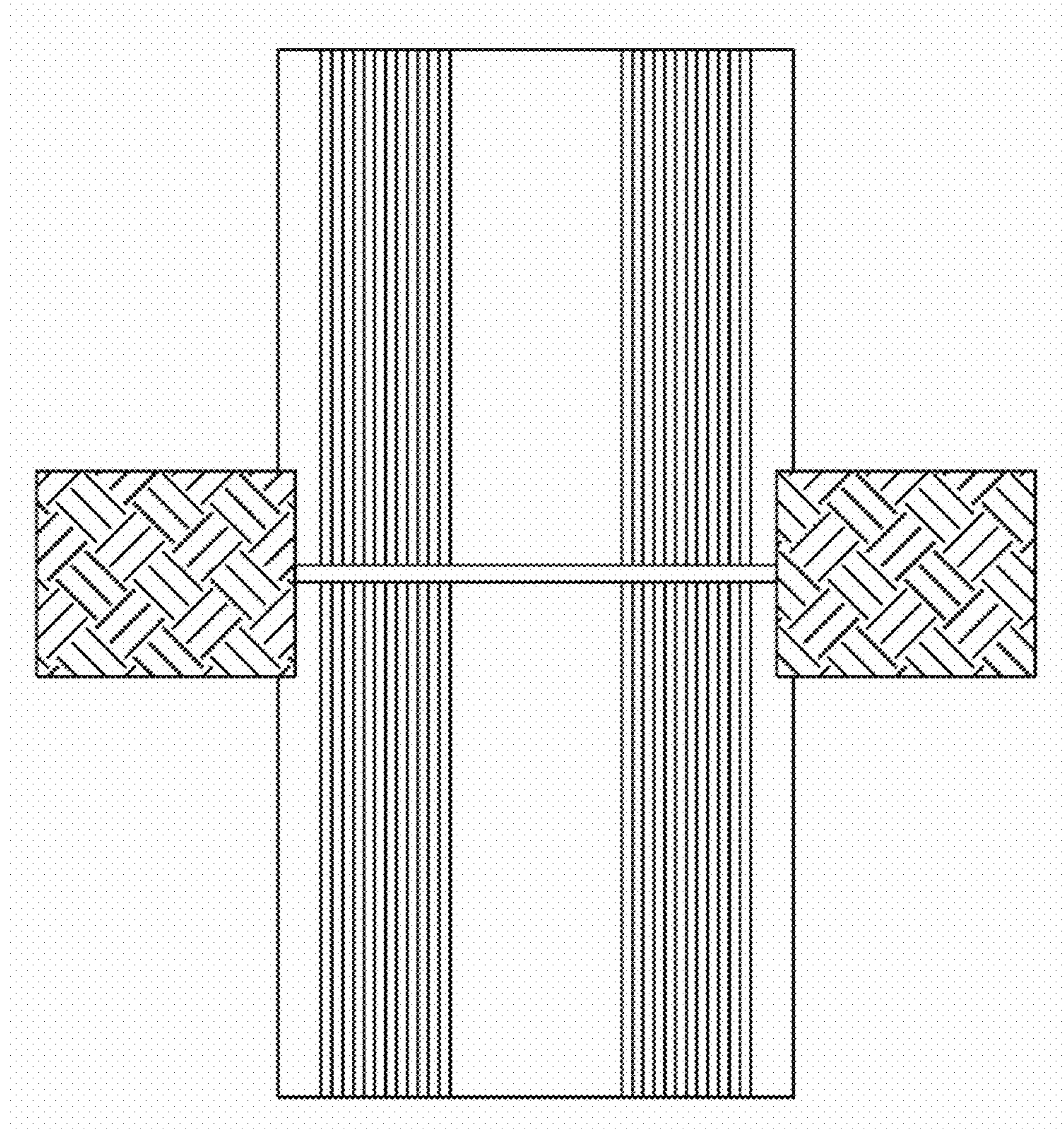


FIG. 13

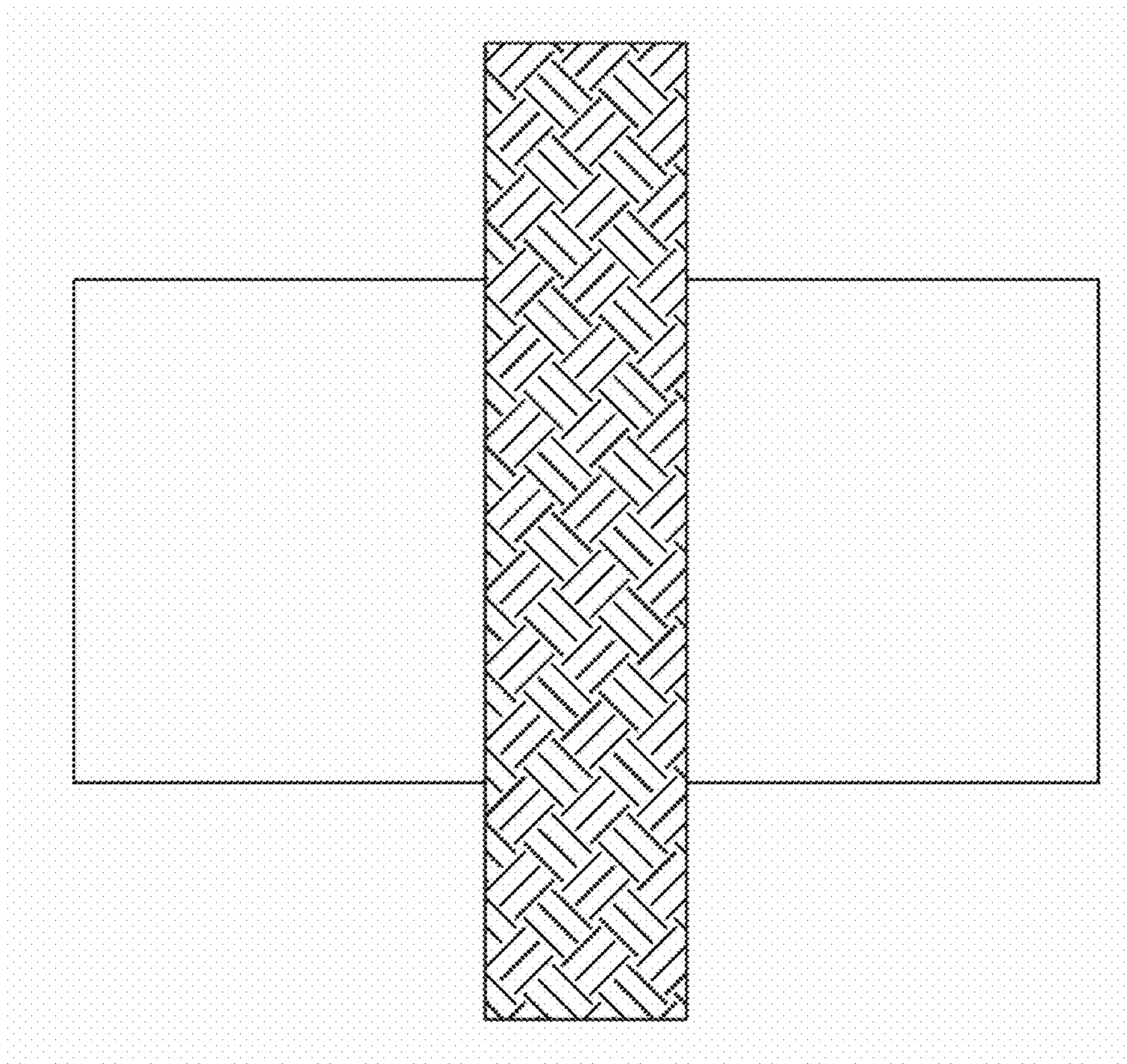


FIG. 14

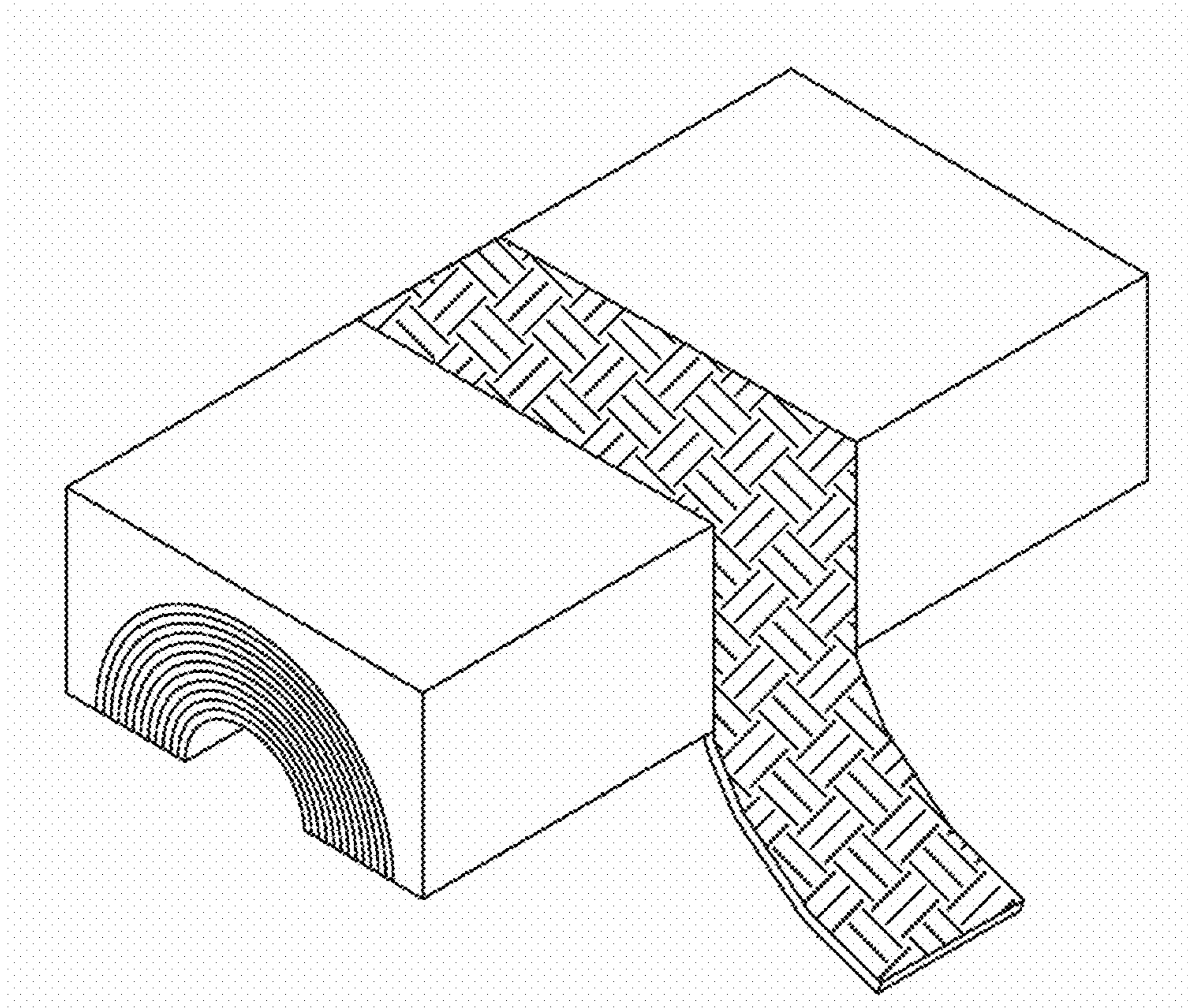


FIG. 15

UNITED STATES PATENT AND TRADEMARK OFFICE
CERTIFICATE OF CORRECTION

PATENT NO. : D729,746 S
APPLICATION NO. : 29/503820
DATED : May 19, 2015
INVENTOR(S) : Bo Millevik

Page 1 of 1

It is certified that error appears in the above-identified patent and that said Letters Patent is hereby corrected as shown below:

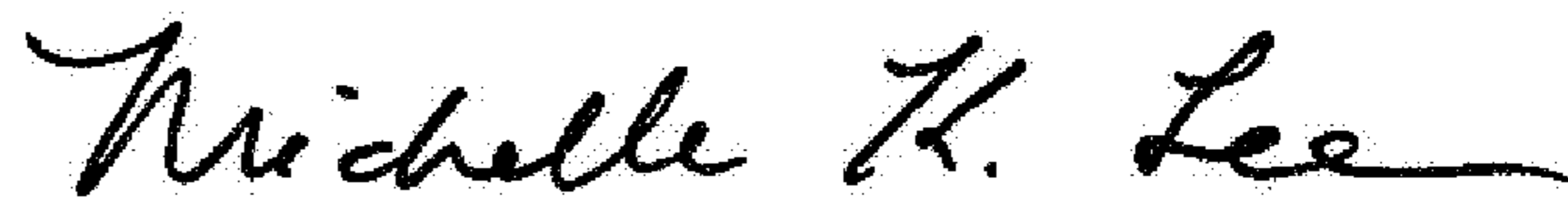
On the Title Page

Please add Item (30):

(30) Foreign Application Priority Data

March 11, 2011 (SE).....1100176-5

Signed and Sealed this
Ninth Day of May, 2017



Michelle K. Lee
Director of the United States Patent and Trademark Office