



US00D729745S

(12) **United States Design Patent**
Vanderwoud

(10) **Patent No.:** **US D729,745 S**

(45) **Date of Patent:** **** May 19, 2015**

(54) **CONNECTOR PULL TAB**

(71) Applicant: **Facebook, Inc.**, Menlo Park, CA (US)

(72) Inventor: **Michael Vanderwoud**, Menlo Park, CA (US)

(73) Assignee: **Facebook, Inc.**, Menlo Park, CA (US)

(**) Term: **14 Years**

(21) Appl. No.: **29/468,754**

(22) Filed: **Oct. 2, 2013**

(51) **LOC (10) Cl.** **13-03**

(52) **U.S. Cl.**
USPC **D13/154**

(58) **Field of Classification Search**
USPC D13/120, 133, 147, 154, 184, 199
See application file for complete search history.

(56) **References Cited**

U.S. PATENT DOCUMENTS

7,207,823	B1	4/2007	Yang	
7,238,040	B1	7/2007	Wu	
7,281,937	B2	10/2007	Reed et al.	
7,318,740	B1	1/2008	Henry et al.	
D566,651	S *	4/2008	Chan et al.	D13/123
7,354,124	B2	4/2008	Oshima et al.	
7,354,292	B1	4/2008	Lloyd et al.	
7,445,484	B2	11/2008	Wu	
7,473,124	B1	1/2009	Briant et al.	
7,666,023	B2	2/2010	Wu	
7,771,225	B1	8/2010	Wu	
8,202,122	B2	6/2012	Wu	
D675,573	S *	2/2013	Farris-Gilbert et al.	D13/147
D675,992	S *	2/2013	Farris-Gilbert et al.	D13/147
8,475,198	B2	7/2013	Wu	
8,475,199	B2	7/2013	Wang et al.	
8,506,319	B2	8/2013	Ritter et al.	
D695,226	S *	12/2013	De Iuliis et al.	D13/147

8,668,515	B2	3/2014	Wu	
8,740,637	B2	6/2014	Wang et al.	
2006/0189197	A1	8/2006	Reed et al.	
2007/0243749	A1	10/2007	Wu	
2009/0291584	A1 *	11/2009	Wu	439/345
2012/0052712	A1	3/2012	Wang et al.	
2013/0344722	A1 *	12/2013	Lloyd et al.	439/160
2014/0193993	A1	7/2014	Meng et al.	

OTHER PUBLICATIONS

U.S. Appl. No. 14/061,658 of Vanderwoud, M., filed Oct. 23, 2013. Non-Final Office Action mailed Dec. 5, 2014, for U.S. Appl. No. 14/061,658 of Vanderwoud, M., filed Oct. 23, 2013. FCI High Speed I/O & Cable Assemblies Assemblies, FCI Product Presentation, Cable Assembly Offerings, High Speed—mini-SAS/SATA, pp. 13-17, Jan. 2010. [Accessed on Feb. 11, 2015: http://www.mouser.com/new/fci/fci_mini-sas/].

* cited by examiner

Primary Examiner — Daniel Bui
(74) *Attorney, Agent, or Firm* — Perkins Coie LLP

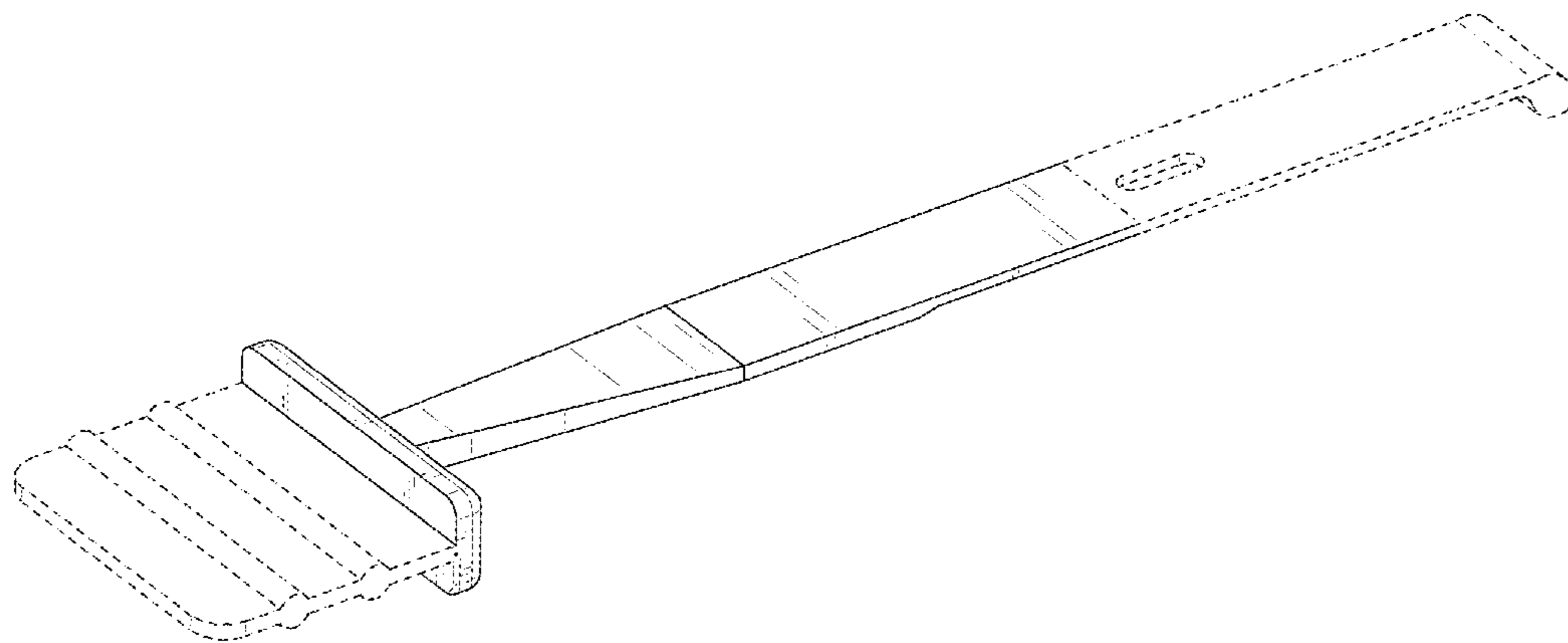
(57) **CLAIM**

The ornamental design for a connector pull tab, as shown and described.

DESCRIPTION

FIG. 1 is a front, top and right perspective view of a connector pull tab showing my new design. FIG. 2 is a front elevation view thereof. FIG. 3 is a back elevation view thereof. FIG. 4 is a left side elevation view thereof. FIG. 5 is a right side elevation view thereof. FIG. 6 is a top plan view thereof; and, FIG. 7 is a bottom plan view thereof. Any broken lines shown in the drawings represent unclaimed environment and form no parts of the claimed design.

1 Claim, 4 Drawing Sheets



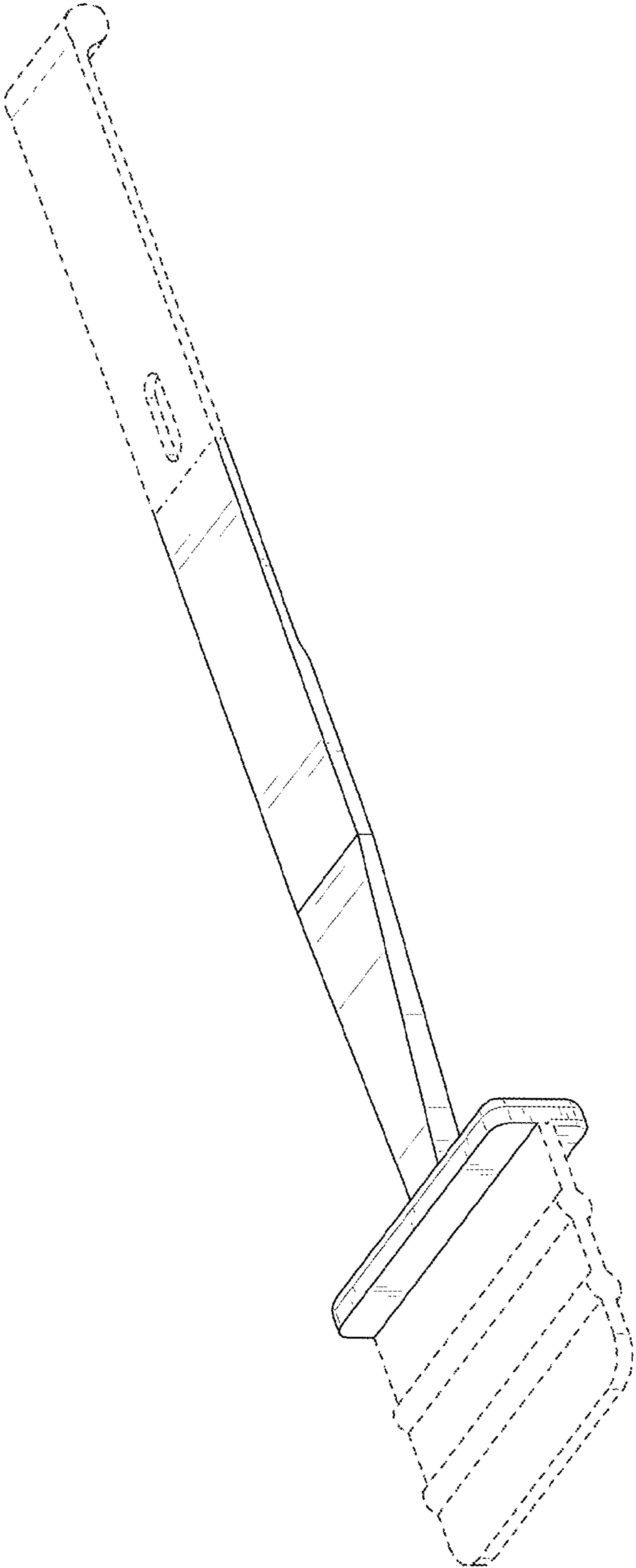


Fig. 1

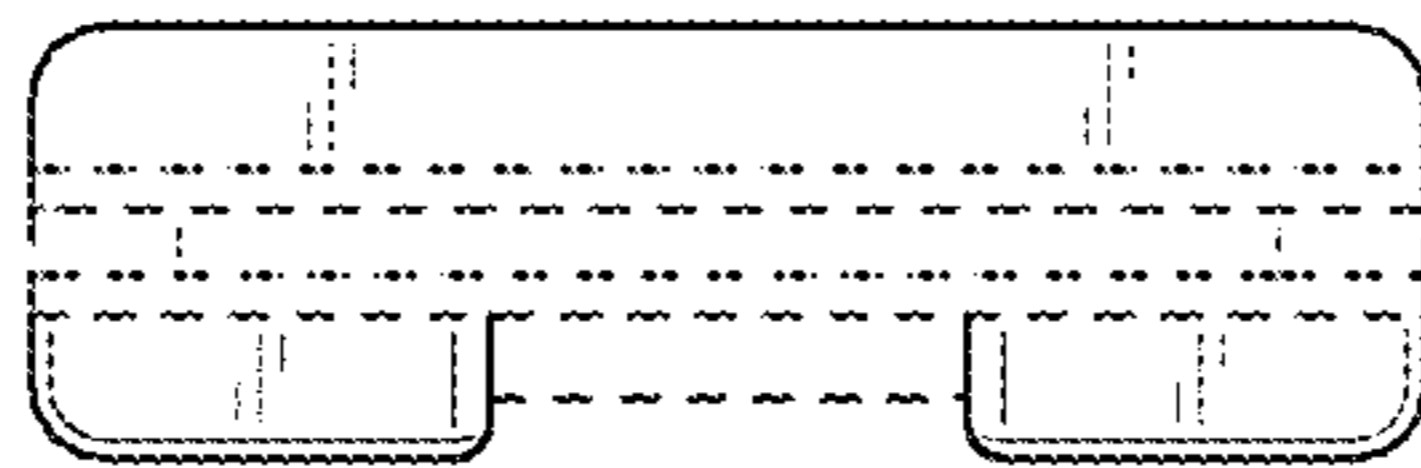


Fig. 2

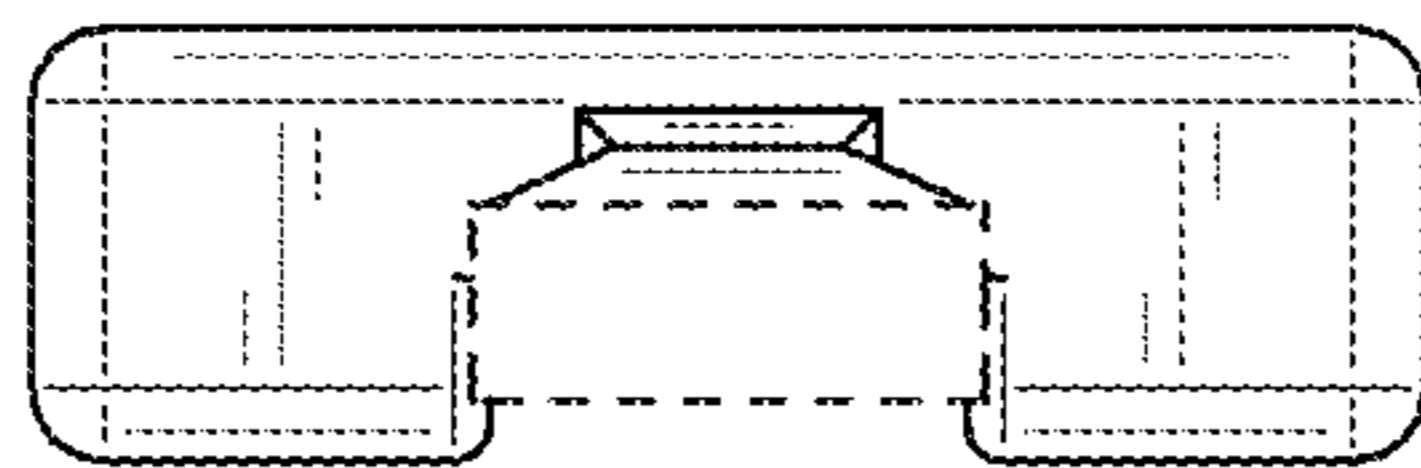


Fig. 3

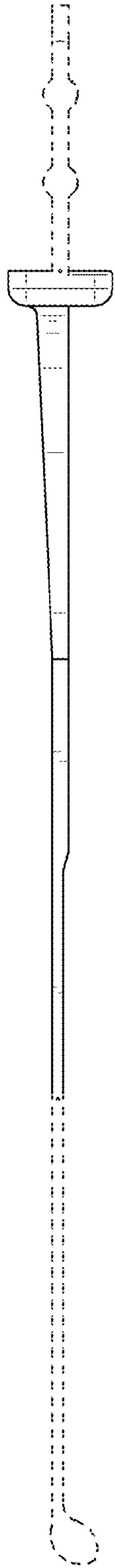


Fig. 4

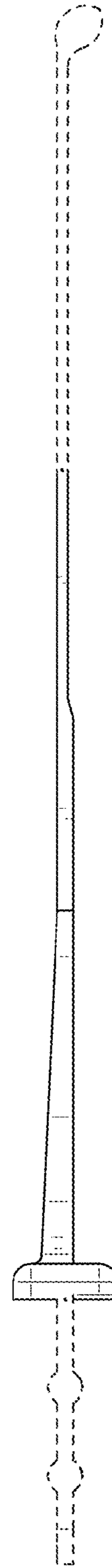


Fig. 5

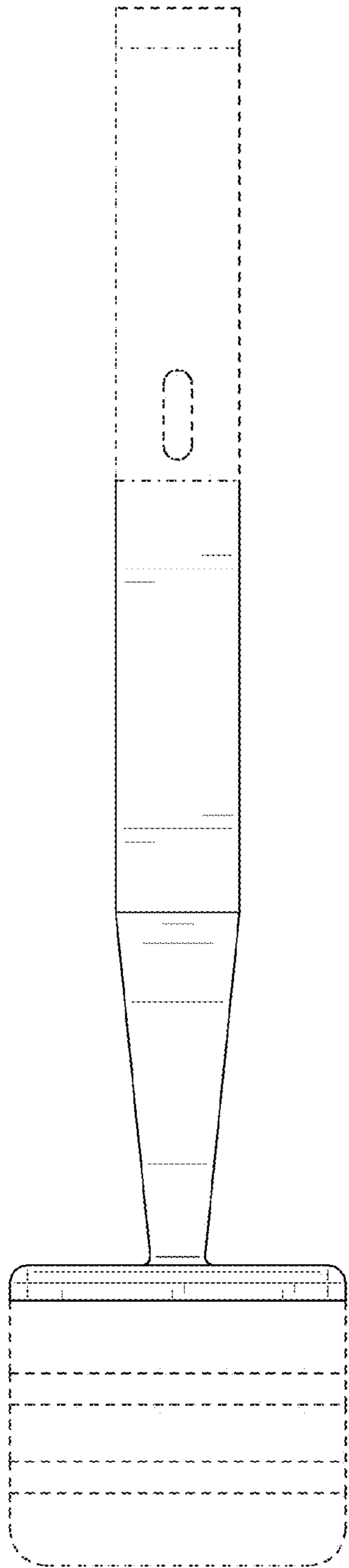


Fig. 6

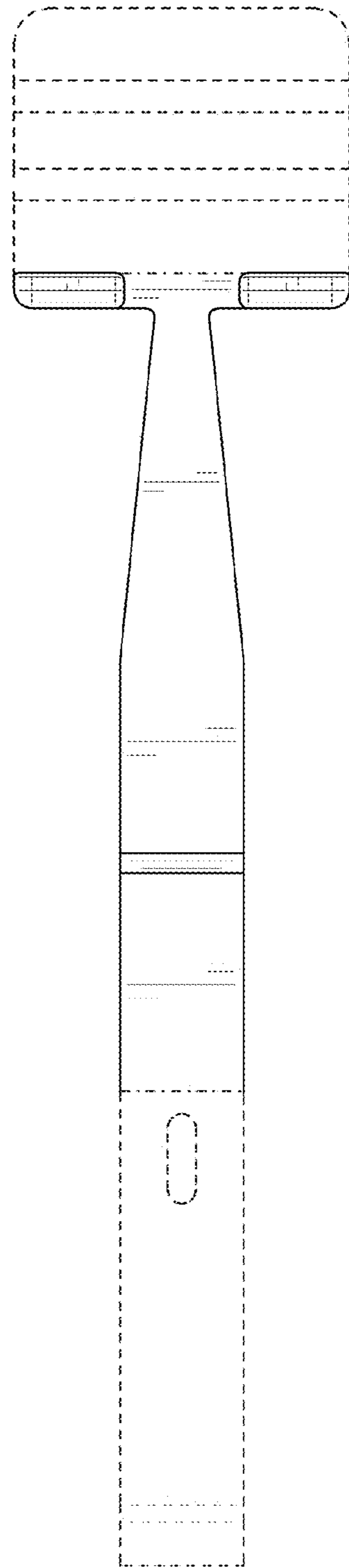


Fig. 7